



US00D908310S

(12) **United States Design Patent** (10) **Patent No.:** **US D908,310 S**
Kriz et al. (45) **Date of Patent:** **** Jan. 26, 2021**

(54) **STRAPS FOR A GARMENT**

(71) Applicant: **Victoria's Secret Stores Brand Management, LLC**, Reynoldsburg, OH (US)

(72) Inventors: **Allison Kriz**, New York, NY (US);
Kristen Baran, Freehold, NJ (US);
Toni Merone, Middletown, NJ (US)

(73) Assignee: **Victoria's Secret Stores Brand Management, LLC**, Reynoldsburg, OH (US)

(**) Term: **15 Years**

(21) Appl. No.: **29/678,641**

(22) Filed: **Jan. 30, 2019**

(51) **LOC (13) Cl.** **02-01**

(52) **U.S. Cl.**
USPC **D2/706**

(58) **Field of Classification Search**
USPC D2/703-708, 736-737, 840; 450/1, 33;
D11/16, 35
CPC A41C 3/00
See application file for complete search history.

(56) **References Cited**

U.S. PATENT DOCUMENTS

D42,643 S *	6/1912	Meyers	D11/90
D519,261 S *	4/2006	Reis	D11/200
D577,476 S *	9/2008	Hyde	D2/639
D578,732 S *	10/2008	Samuels	D2/639
D631,638 S *	2/2011	Jones	D2/706
D752,844 S *	4/2016	Martinet	D2/706
D763,545 S *	8/2016	Morin	D2/706
D783,440 S *	4/2017	Yatsugi-Kang	D11/16
D800,011 S *	10/2017	Riviere	D11/16
D838,622 S *	1/2019	Vivat	D11/16

(Continued)

OTHER PUBLICATIONS

Luxelife Rhinestone Choker, posted 2016 [2016], (retrieved Feb. 26, 2020), Retrieved from the internet, https://www.amazon.com/LuxeLife-Rhinestone-Crystal-Necklace-Extender/dp/B01LYBLM6P/ref=Ip_15856460011_1_1?srs=15856460011&ie=UTF8&qid=1582837215&sr=8-1 (Year: 2016).*

(Continued)

Primary Examiner — Kevin K Rudzinski

Assistant Examiner — J. Thorn, Sr.

(74) *Attorney, Agent, or Firm* — Andrus Intellectual Property Law, LLP

(57) **CLAIM**

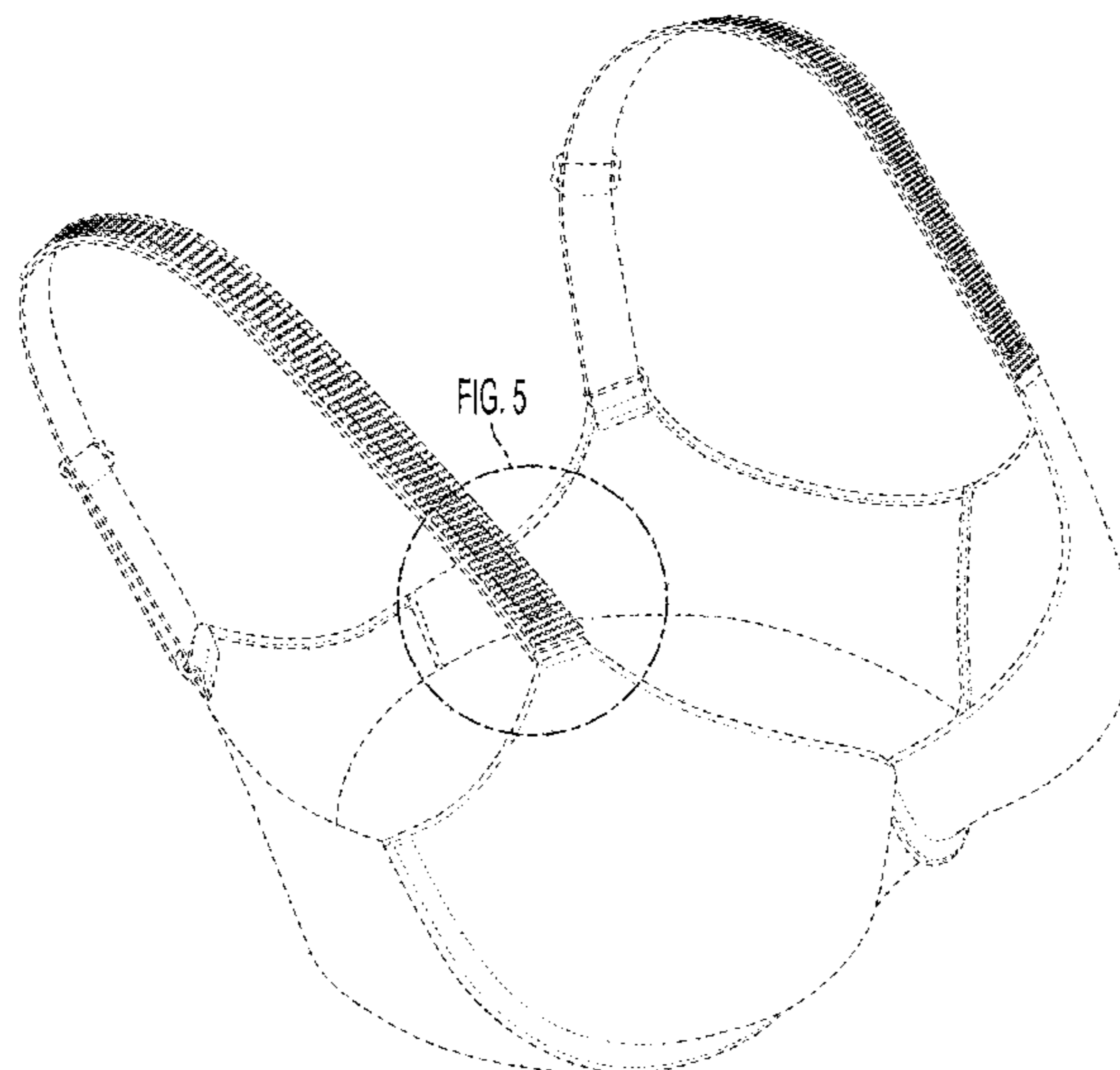
The ornamental design for straps for a garment, as shown and described.

DESCRIPTION

FIG. 1 is a front perspective view of straps for a garment according to our new and ornamental design; FIG. 2 is a front elevation view thereof; FIG. 3 is a rear elevation view thereof; FIG. 4 is a rear perspective view thereof; FIG. 5 is an enlarged view of the area on the left-most strap for a garment noted in FIG. 1; and, FIG. 6 is an enlarged view of the area on the left-most strap for a garment noted in FIG. 2, wherein the right-most strap for a garment is a mirror image.

The dash-dot-dash lines between the solid line portions and the broken line portions of the straps for a garment show the boundaries of the claimed design and form no part of the claimed design. The brassiere shown in broken lines illustrates an environment in which the straps for a garment can be used and forms no part of the claimed design; the brassiere and straps are shown as they would be worn by a wearer. The broken lines shown representing enlarged sections of the claimed design illustrate the bounds of the areas for enlargement and form no part of the claimed design.

1 Claim, 6 Drawing Sheets



(56)

References Cited

U.S. PATENT DOCUMENTS

2007/0105482 A1* 5/2007 Styles-Gaviria A41F 15/002
450/88

OTHER PUBLICATIONS

Luckjewelrydu, “2row rhinestone crystal rhinestone bra straps silver plate party gifts,” website, available at least as early as Dec. 17, 2018, available at https://www.dhgate.com/product/2row-rhinestone-crystal-rhinestone-bra-straps/396776027.html?utm_source=pla&utm_medium=GMC&utm_campaign=E2%80%A6.

Jazkim, “Strapless Bra Solution—Sexy Rhinestone Bra Straps,” website, available at least as early as Dec. 17, 2018, available at https://poshmark.com/listing/1-Day-Sale-Strapless-Bra-Solution-Bra-Strap-5a0149644127d048df00b080?ad_partner=google&campaign_id=1067542%E2%80%A6.

Dritz, “Fashion Straps,” website, available at least as early as Dec. 17, 2018, available at https://www.joann.com/clear-straps-with-rhinestones/9543505.html?utm_source=google&utm_medium=cpc&gclid=Cj0KCQiAr93gBRDSARIsADvHiOoe%E2%80%A6.

Jackie G-String, “Rhinestone Bra Straps,” website, available at least as early as Dec. 17, 2018, available at <https://poshmark.com/listing/>

Unique-Accessory-Rhinestone-Bra-Straps-5b19f91934a4ef76833912e9?utm_source=ghm&ad_partner=google&I_con=E2%80%A6.

Bella’s Lingerie, Inc., “Pin Straps,” website, available at least as early as Dec. 17, 2018, available at <https://www.walmart.com/ip/Stunning-Two-Row-Silver-Decorative-Rhinestones-Crystal-Bra-Straps-w-Pin-On-Bra-Hooks-16/511211748?wmlspartner=E2%80%A6>.

Tatishotties, “Rhinestone bra straps diamante shoulder dress straps sexy body jewelry,” website, available at least as early as Dec. 17, 2018, available at https://www.etsy.com/listing/170591623/rhinestone-bra-straps-diamante-shoulder?gpla=1&gao=1&utm_source=google&utm_medium=cpc&utm_campaign=E2%80%A6.

Tatishotties, “Rhinestone sexy bunny bra straps shoulder dress straps crystals jeweled dress,” website, available at least as early as Dec. 17, 2018, available at https://www.etsy.com/listing/66836681/rhinestone-sexy-bunny-bra-straps?gpla=1&gao=1&utm_source=google&utm_medium=cpc&utm_campaign=s%E2%80%A6.

Victoria’s Secret, “The T-Shirt Lightly Lined Demi Bra,” website, available at least as early as Jul. 24, 2018, available at <https://www.victoriasecret.com/bras/lightly-lined-and-demi/lightly-lined-demi-bra-the-t-shirt?ProductID=419217&CatalogueType=OLS>.

* cited by examiner

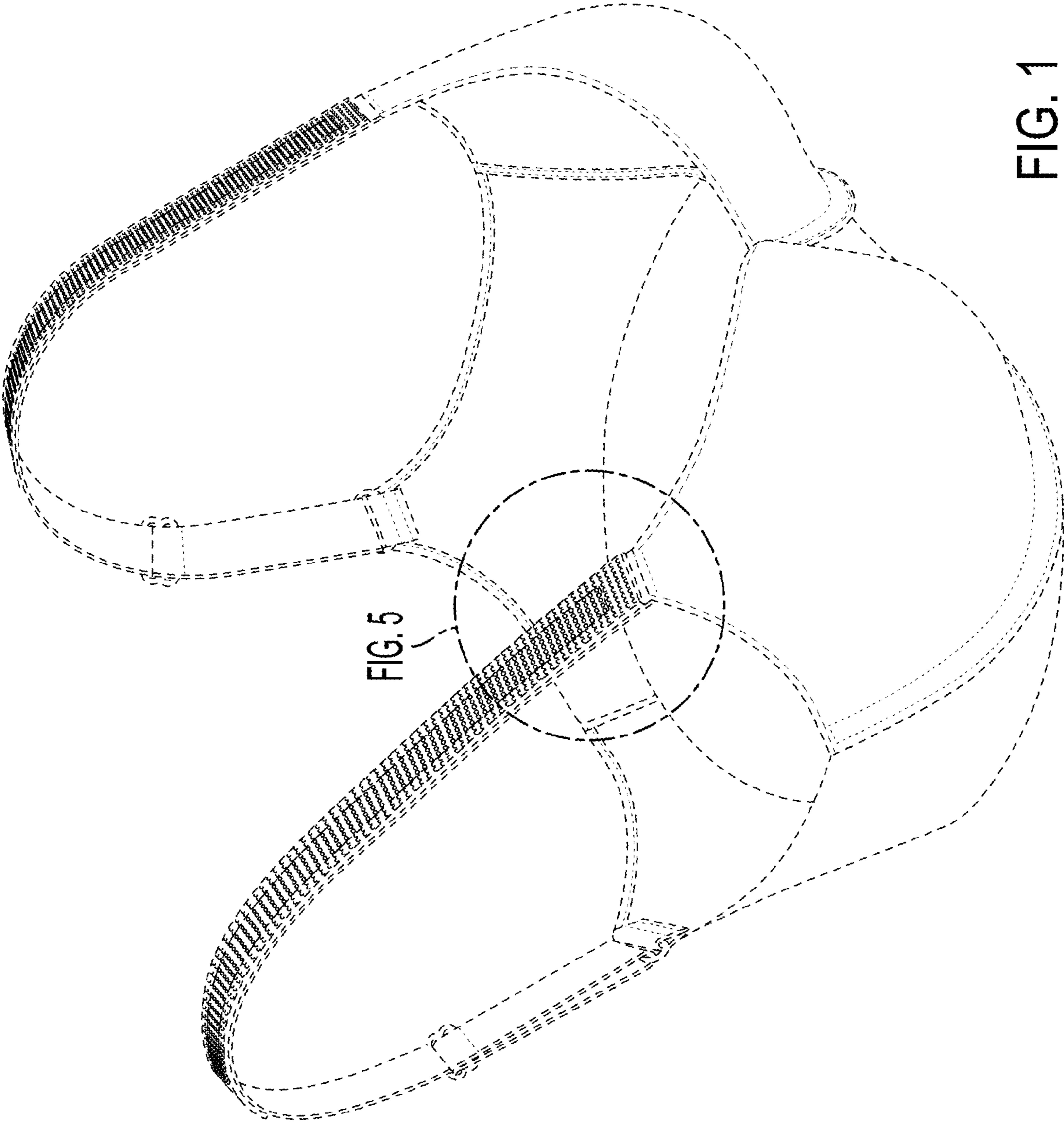


FIG. 1

FIG. 5

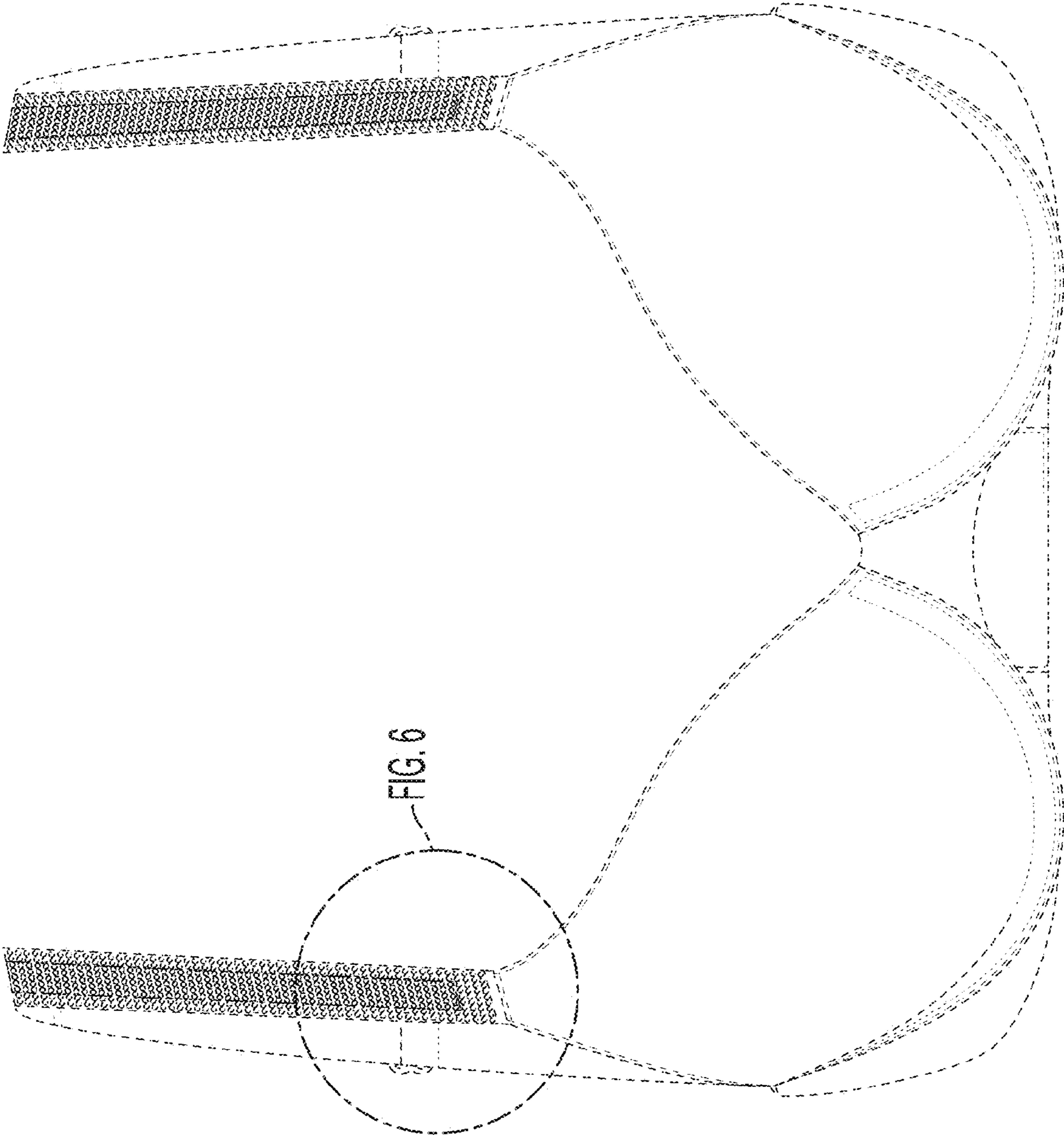


FIG. 6

FIG. 2

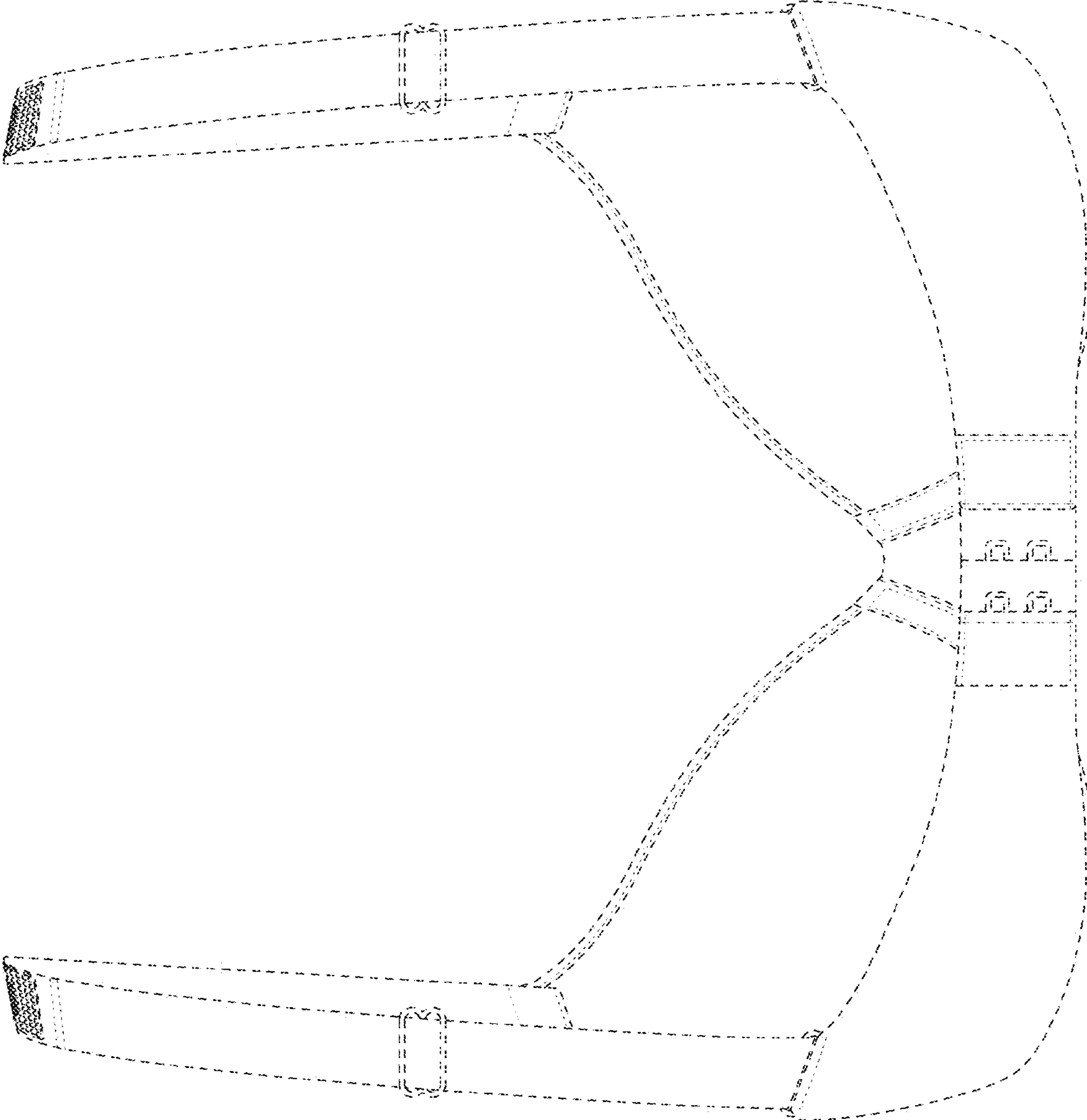


FIG. 3

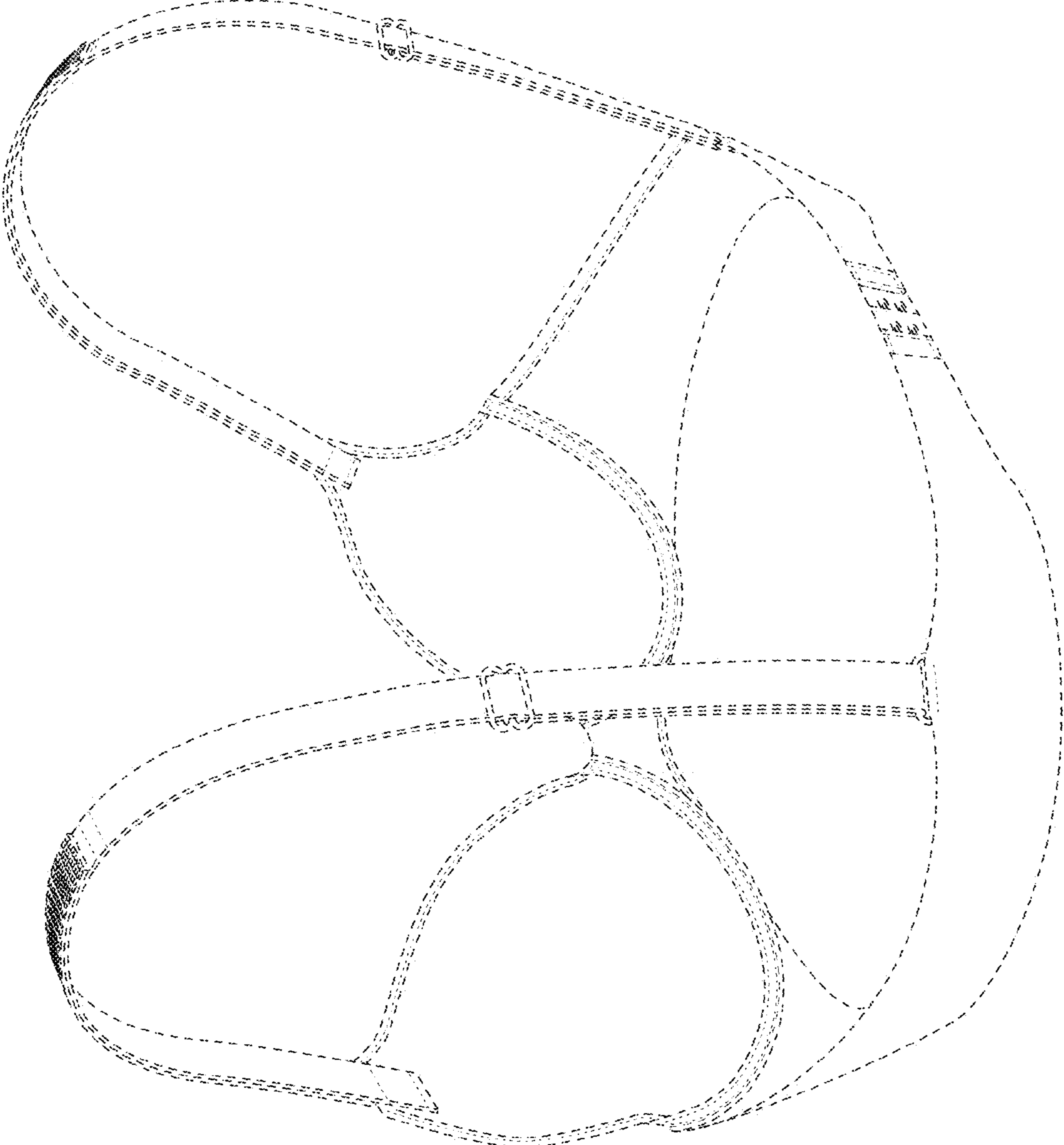


FIG. 4

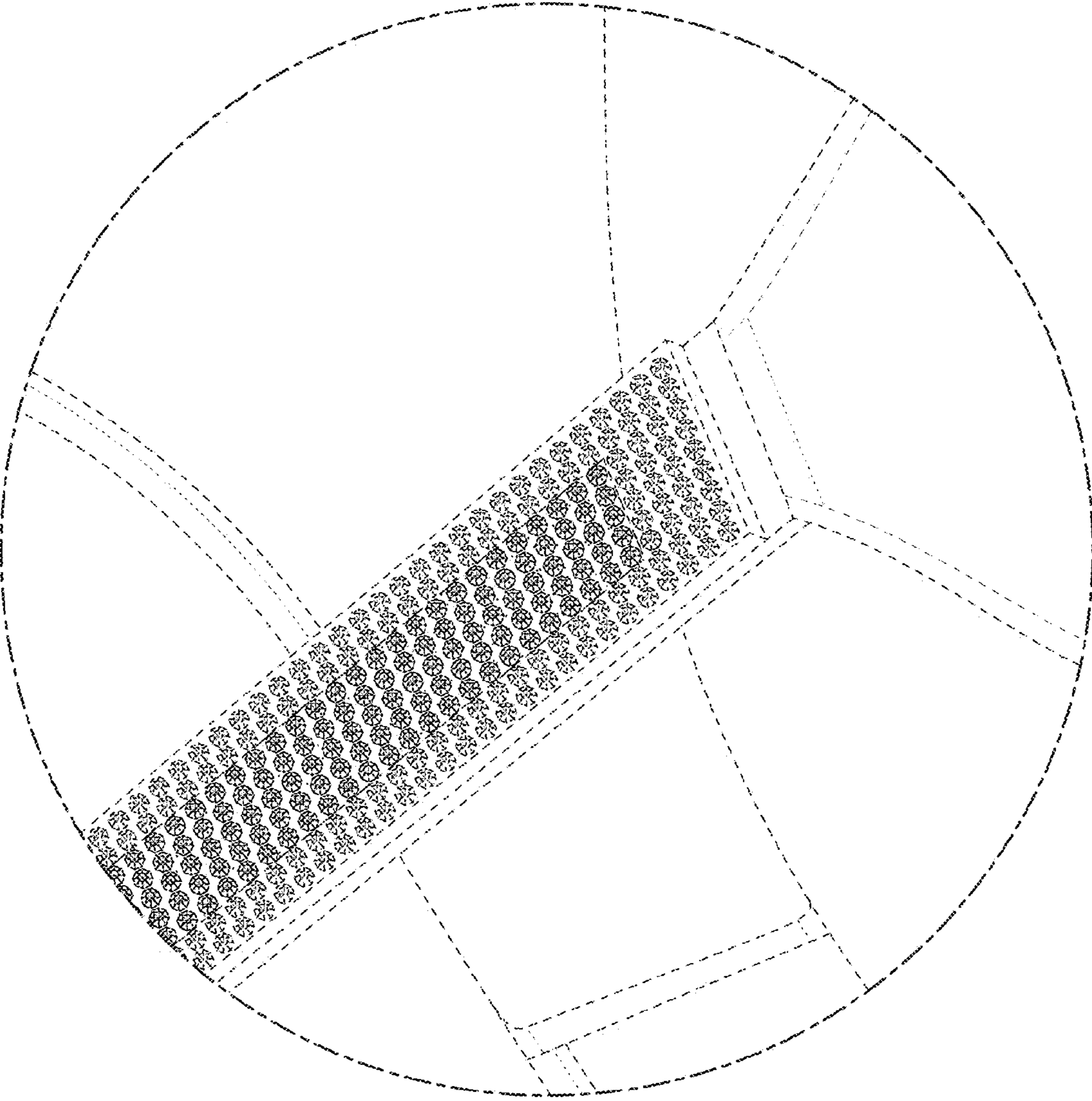


FIG. 5

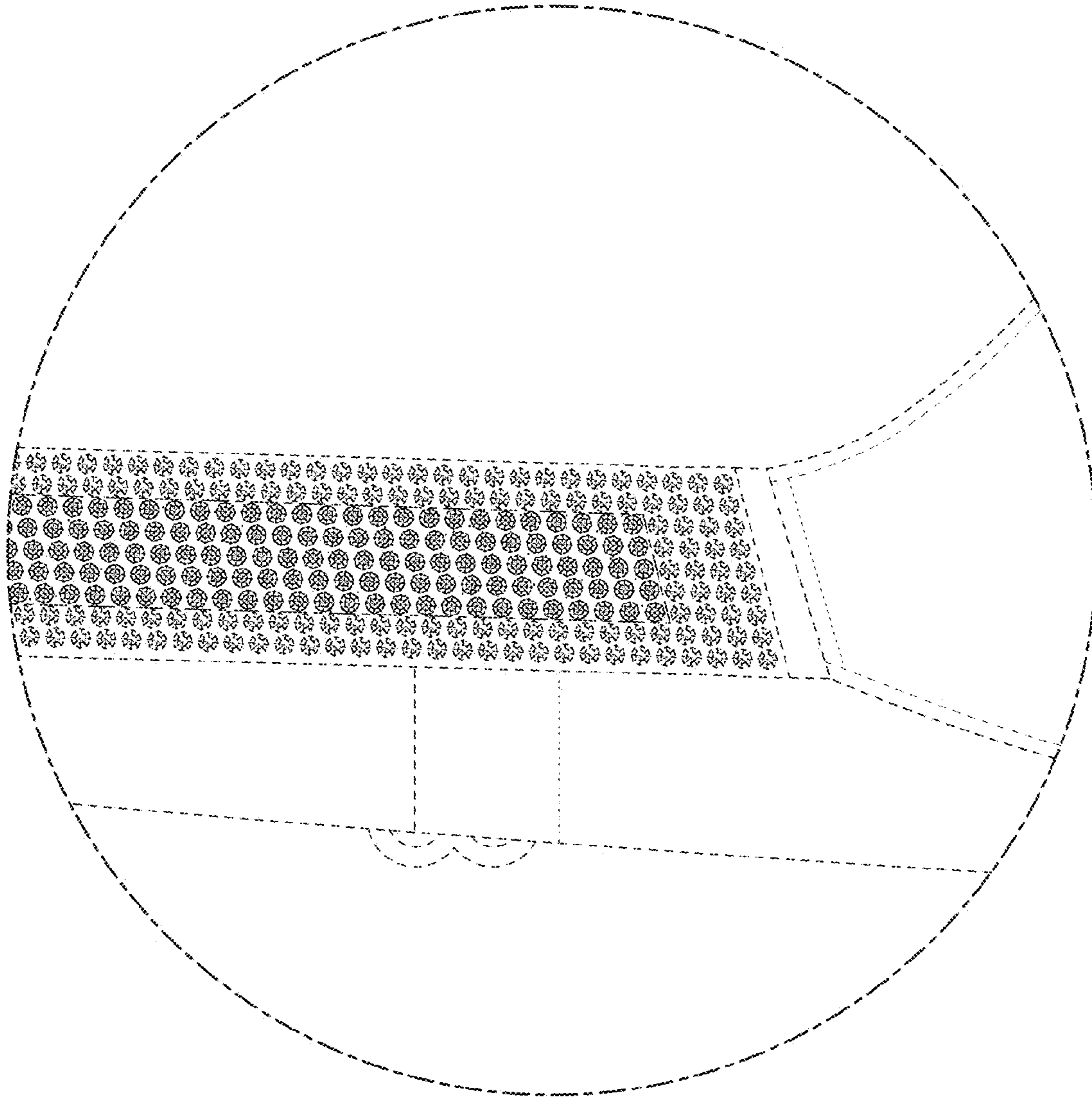


FIG. 6