



US00D908308S

(12) **United States Design Patent** (10) **Patent No.:** **US D908,308 S**  
**Cammarota et al.** (45) **Date of Patent:** **\*\* Jan. 26, 2021**

(54) **MOLDED TORTILLA POCKET**

FOREIGN PATENT DOCUMENTS

(71) Applicant: **General Mills, Inc.**, Minneapolis, MN (US)  
(72) Inventors: **Carina Claudia Cammarota**, Navarra (ES); **John J Fenske**, Shoreview, MN (US); **Zac Harder**, Crystal, MN (US); **Chad M Kubat**, Woodbury, MN (US); **Ralph A Stenvik**, Plymouth, MN (US)  
(73) Assignee: **General Mills, Inc.**, Minneapolis, MN (US)

FR 2976457 12/2012  
JP 242659 11/1964

*Primary Examiner* — Katie Jane Stofko  
(74) *Attorney, Agent, or Firm* — Diederiks & Whitelaw, PLC; John L. Crimmins, Esq.

(\*\*) Term: **15 Years**

(57) **CLAIM**

The ornamental design for a molded tortilla pocket, as shown and described.

(21) Appl. No.: **29/677,751**

(22) Filed: **Jan. 23, 2019**

**DESCRIPTION**

(51) **LOC (13) Cl.** ..... **01-01**  
(52) **U.S. Cl.**  
USPC ..... **D1/122**  
(58) **Field of Classification Search**  
USPC ..... D1/100–130, 199; 426/94, 104, 138, 426/143, 144, 274, 283, 303, 391, 512, 426/514, 518, 549; D6/597, 601; D7/675, 560, 566, 568, 601, 700; D24/121, 122; D28/8.1, 8.2; D21/385, D21/386, 707; D11/164; 47/72  
CPC ..... A23L 1/0067; A23L 1/005; A23L 1/0052; A23L 1/217; A23G 9/48; A23G 3/54; A23V 2002/00  
See application file for complete search history.

FIG. 1 is a top, front, left side perspective view of a molded tortilla pocket according to our new design; FIG. 2 is a front elevational view of the molded tortilla pocket; FIG. 3 is a rear elevational view of the molded tortilla pocket; FIG. 4 is a left side view of the molded tortilla pocket; FIG. 5 is a right side view of the molded tortilla pocket; FIG. 6 is a top plan view of the molded tortilla pocket; and, FIG. 7 is a bottom plan view of the molded tortilla pocket. The dash-dot-dash symbolic break lines shown in the middle portion of the molded tortilla pocket indicate that the appearance of any portion of the article between the break lines forms no part of the claimed design. The evenly-spaced broken lines illustrating the food and the hand in FIG. 1 illustrates environment that form no part of the claimed design while the remaining evenly-spaced broken lines in the drawings illustrate portions of the molded tortilla pocket that form no part of the claimed design. The dash-dot-dash broken lines shown in FIGS. 1-7 illustrate the boundary of the claimed design which forms no part thereof.

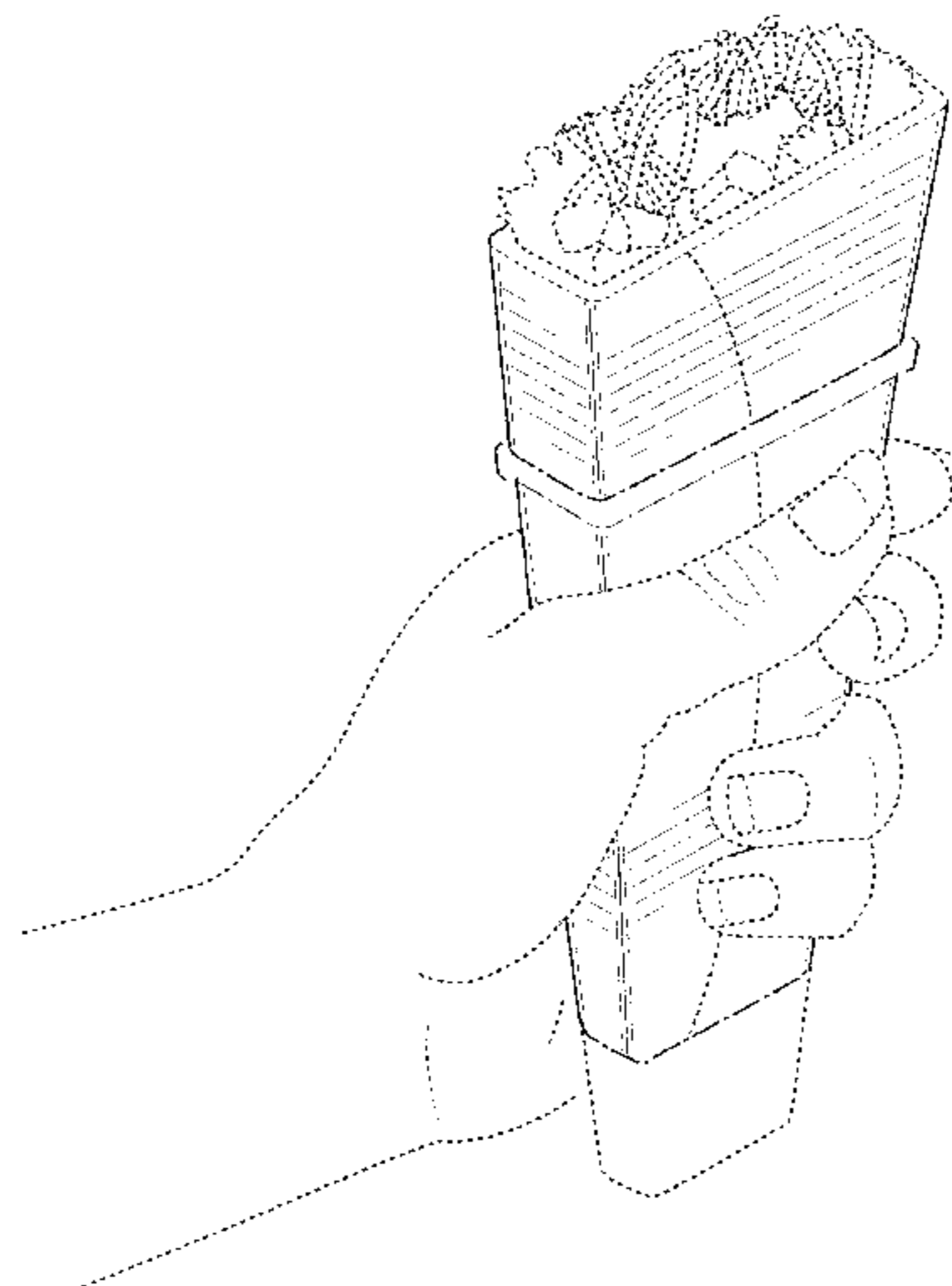
(56) **References Cited**

U.S. PATENT DOCUMENTS

462,117 A \* 10/1891 Emerson ..... A22B 3/086 452/54  
1,835,719 A \* 12/1931 Parr ..... A23G 9/50 426/134  
D88,951 S 1/1933 Davison  
2,073,914 A \* 3/1937 Wilfley ..... B65B 39/08 141/314

(Continued)

**1 Claim, 4 Drawing Sheets**



(56)

**References Cited**

U.S. PATENT DOCUMENTS

2,100,888 A \* 11/1937 Vine ..... B67C 11/02  
141/337

3,324,906 A \* 6/1967 Chu ..... G01F 11/282  
141/114

3,804,134 A \* 4/1974 Wehking ..... B67B 7/28  
141/98

4,313,964 A 2/1982 Dembecki  
D292,940 S 12/1987 DiPietro  
5,336,511 A 8/1994 Der Beek  
5,369,511 A \* 11/1994 Amos ..... G02B 5/001  
359/107

D363,221 S \* 10/1995 Puryear ..... D7/700  
D368,990 S \* 4/1996 Thomas ..... D24/194  
D374,281 S \* 10/1996 Markles ..... D24/122  
6,202,225 B1 \* 3/2001 Beck ..... A61F 5/4556  
141/337

6,460,200 B1 \* 10/2002 Mottale ..... A61F 5/4556  
141/331

7,008,655 B1 3/2006 Aslanis  
7,131,626 B2 11/2006 Cole  
D569,076 S \* 5/2008 Lebrand ..... D1/105  
D623,826 S 9/2010 Griebel  
D643,587 S 8/2011 Bianchi  
8,349,384 B2 1/2013 Huxel et al.  
9,764,503 B2 9/2017 Seto  
D822,316 S 7/2018 Cammarota et al.

2006/0216378 A1 9/2006 Boscolo  
2010/0034930 A1 2/2010 Ko  
2014/0272004 A1 9/2014 Porat

\* cited by examiner

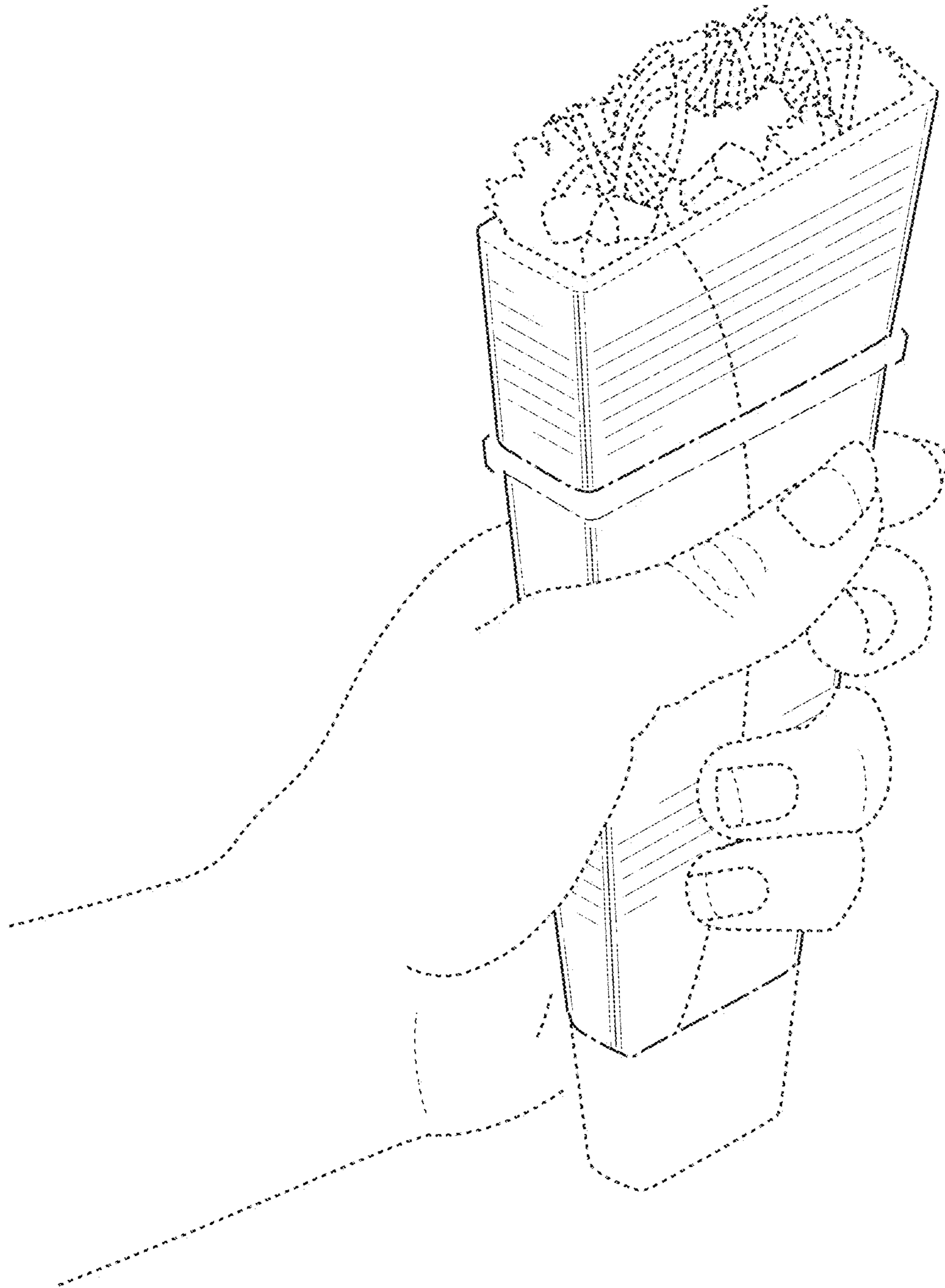


FIG. 1

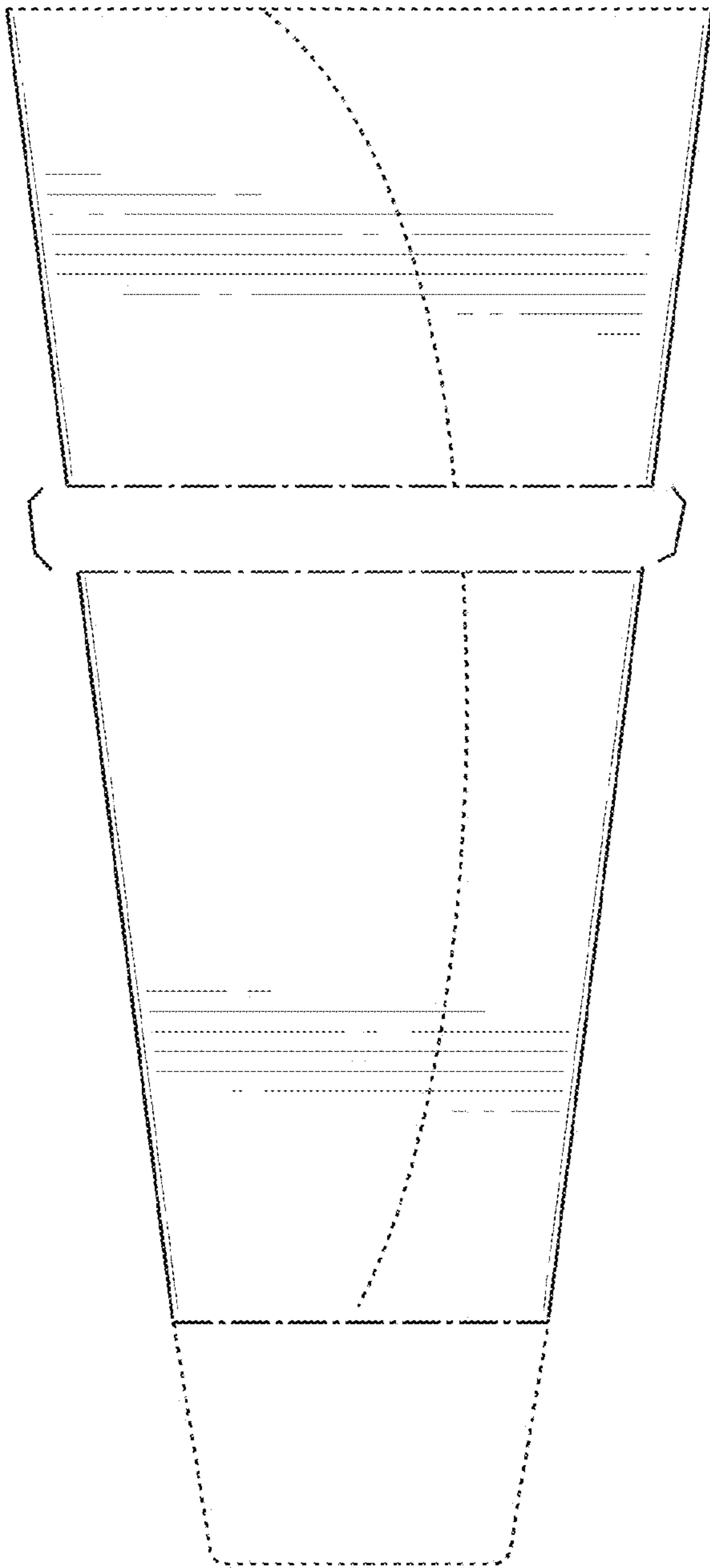


FIG. 2

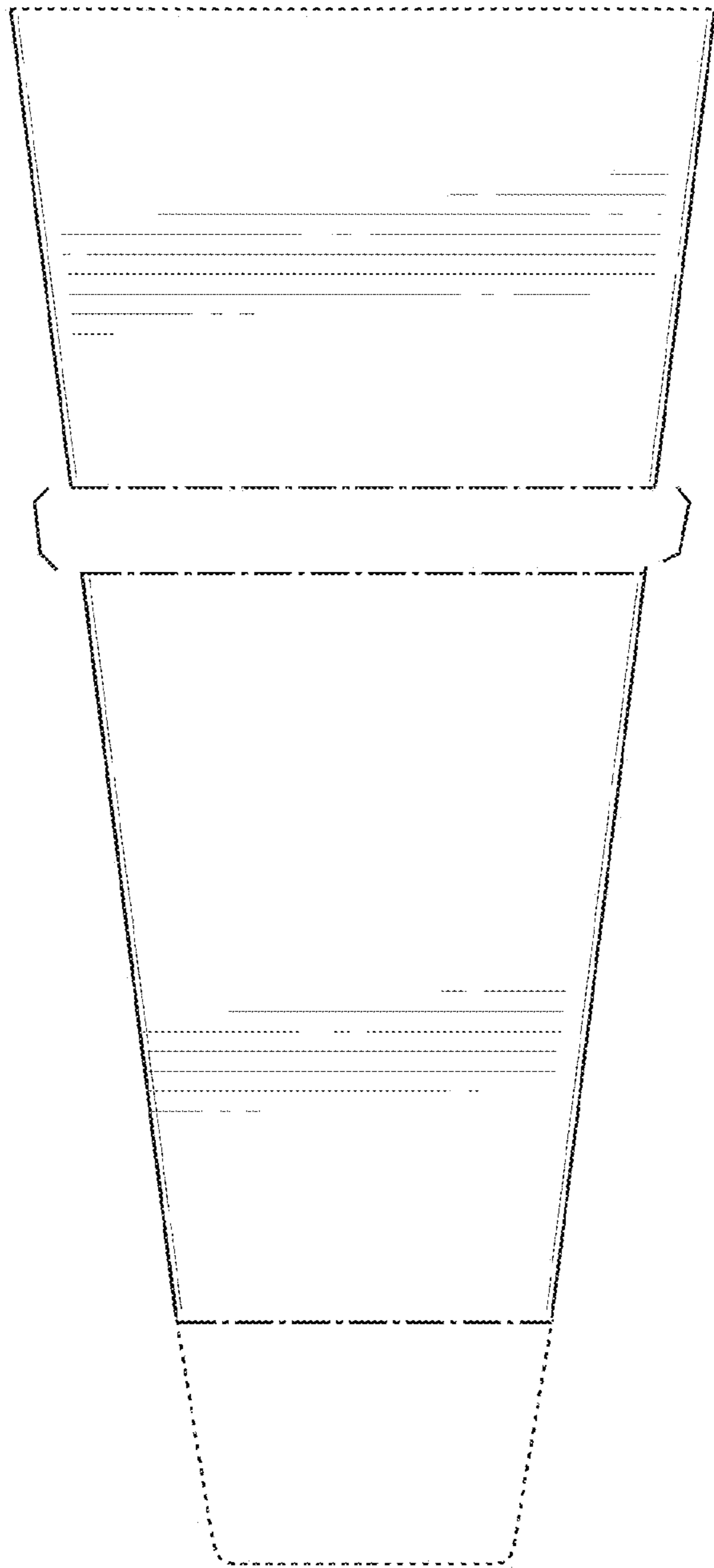


FIG. 3

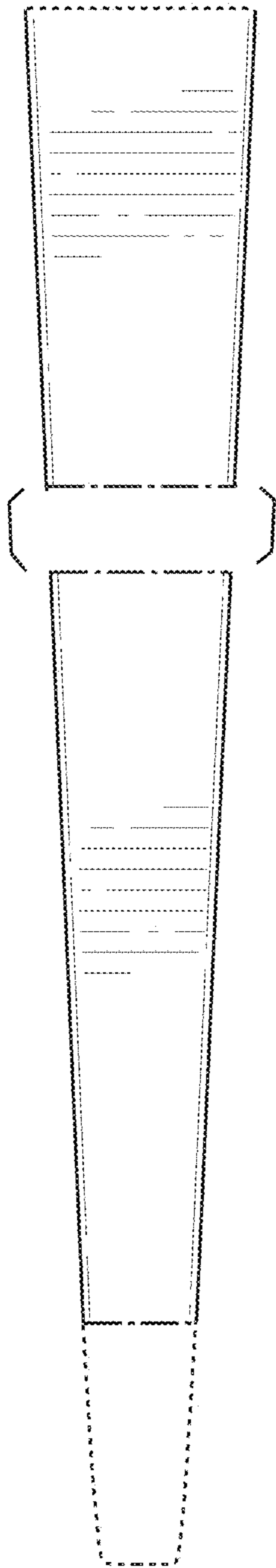


FIG. 4

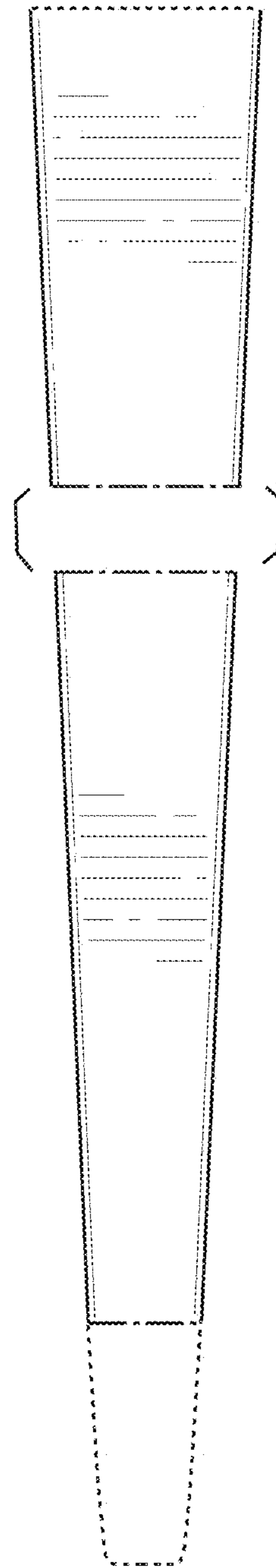


FIG. 5

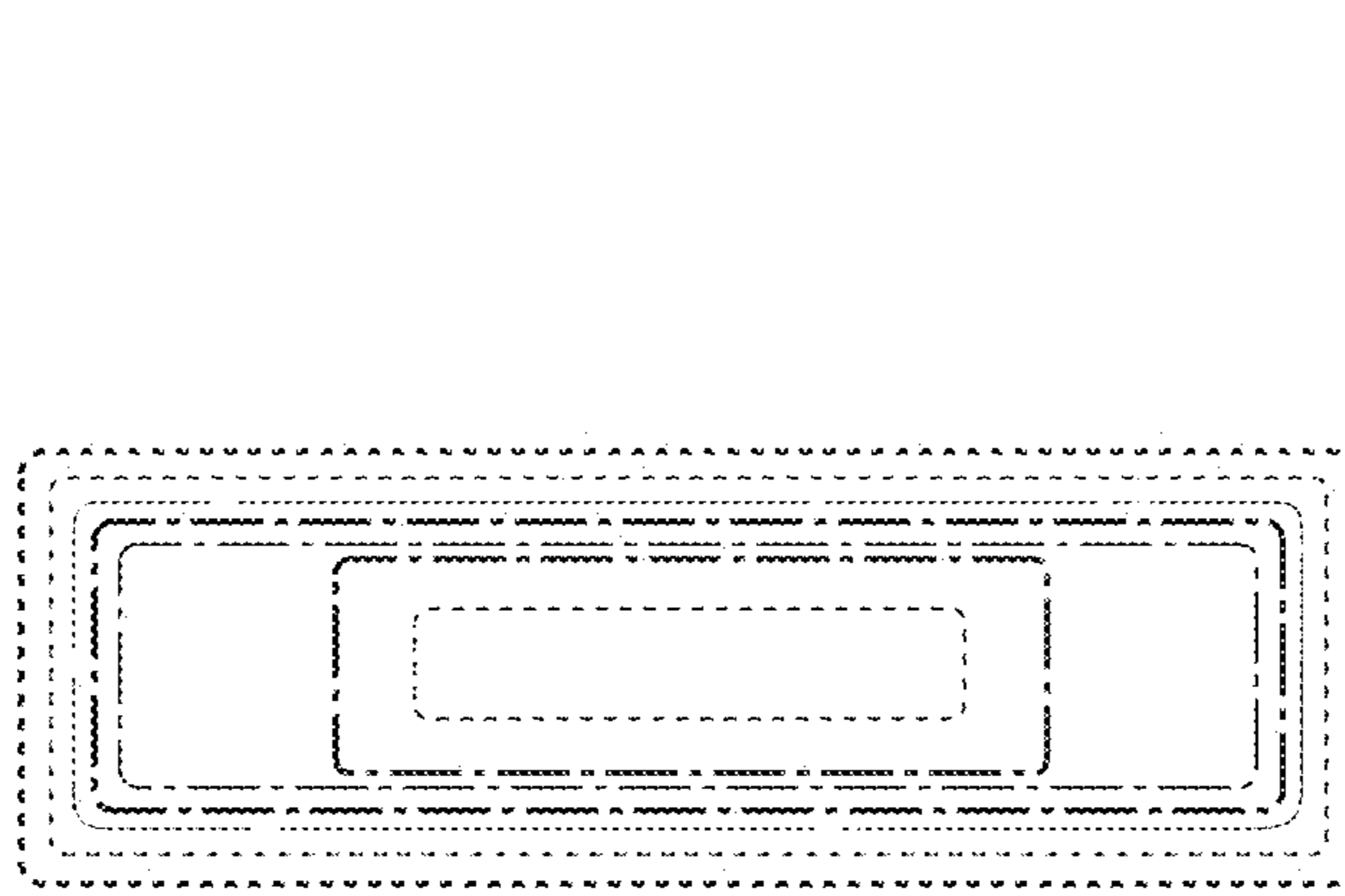


FIG. 6

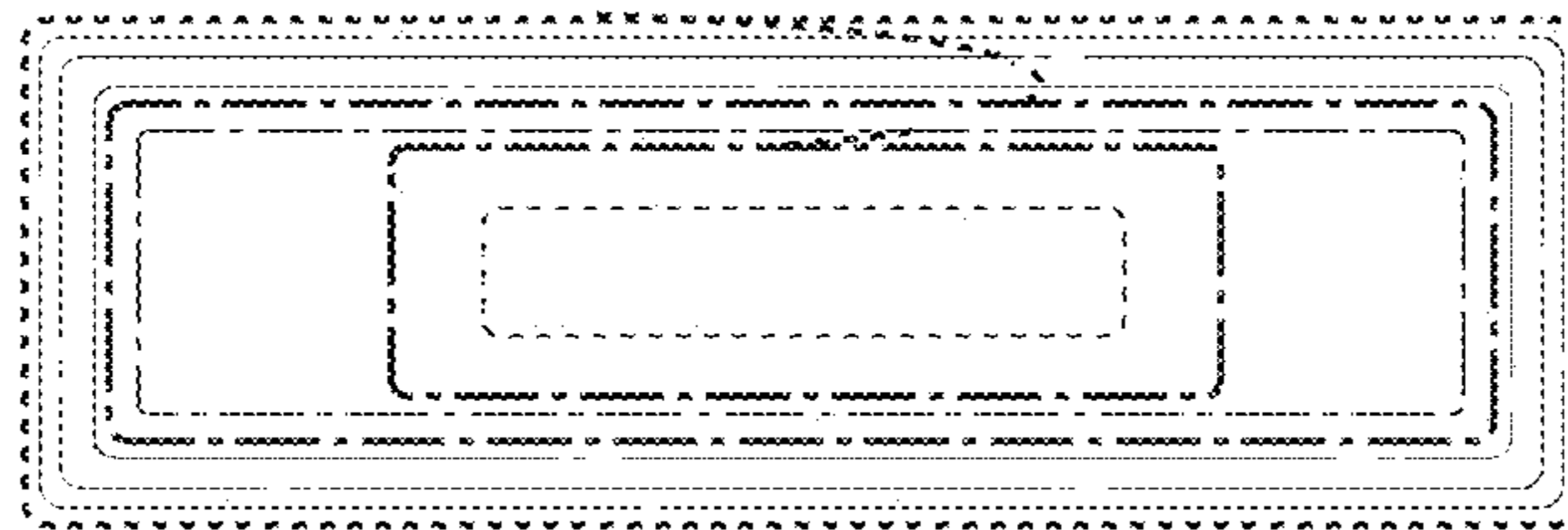


FIG. 7