



US00D908306S

(12) **United States Design Patent** (10) **Patent No.:** **US D908,306 S**
Cammarota et al. (45) **Date of Patent:** **** Jan. 26, 2021**

(54) **MOLDED TORTILLA POCKET**

FOREIGN PATENT DOCUMENTS

- (71) Applicant: **General Mills, Inc.**, Minneapolis, MN (US)
- (72) Inventors: **Carina Claudia Cammarota**, Navarra (ES); **John J Fenske**, Shoreview, MN (US); **Zac Harder**, Crystal, MN (US); **Chad M Kubat**, Woodbury, MN (US); **Ralph A Stenvik**, Plymouth, MN (US)
- (73) Assignee: **General Mills, Inc.**, Minneapolis, MN (US)

- FR 2976457 12/2012
- JP 242659 11/1964

Primary Examiner — Katie Jane Stofko
(74) *Attorney, Agent, or Firm* — Diederiks & Whitelaw, PLC; John L. Crimmins, Esq.

(**) Term: **15 Years**

(21) Appl. No.: **29/677,726**

(22) Filed: **Jan. 23, 2019**

(51) **LOC (13) Cl.** **01-01**

(52) **U.S. Cl.**
USPC **D1/122**

(58) **Field of Classification Search**
USPC D1/100–130, 199; 426/94, 104, 138, 426/143, 144, 274, 283, 303, 391, 512, 426/514, 518, 549; D6/597, 601; D7/675, 560, 566, 568, 601, 700; D24/121, 122; D28/8.1, 8.2; D21/385, D21/386, 707; D11/164; 47/72
CPC A23L 1/0067; A23L 1/005; A23L 1/0052; A23L 1/217; A23G 9/48; A23G 3/54; A23V 2002/00

See application file for complete search history.

(56) **References Cited**

U.S. PATENT DOCUMENTS

- 462,117 A * 10/1891 Emerson A22B 3/086 452/54
- 1,835,719 A * 12/1931 Parr A23G 9/50 426/134
- D88,951 S 1/1933 Davison
- 2,073,914 A * 3/1937 Wilfley B65B 39/08 141/314

(Continued)

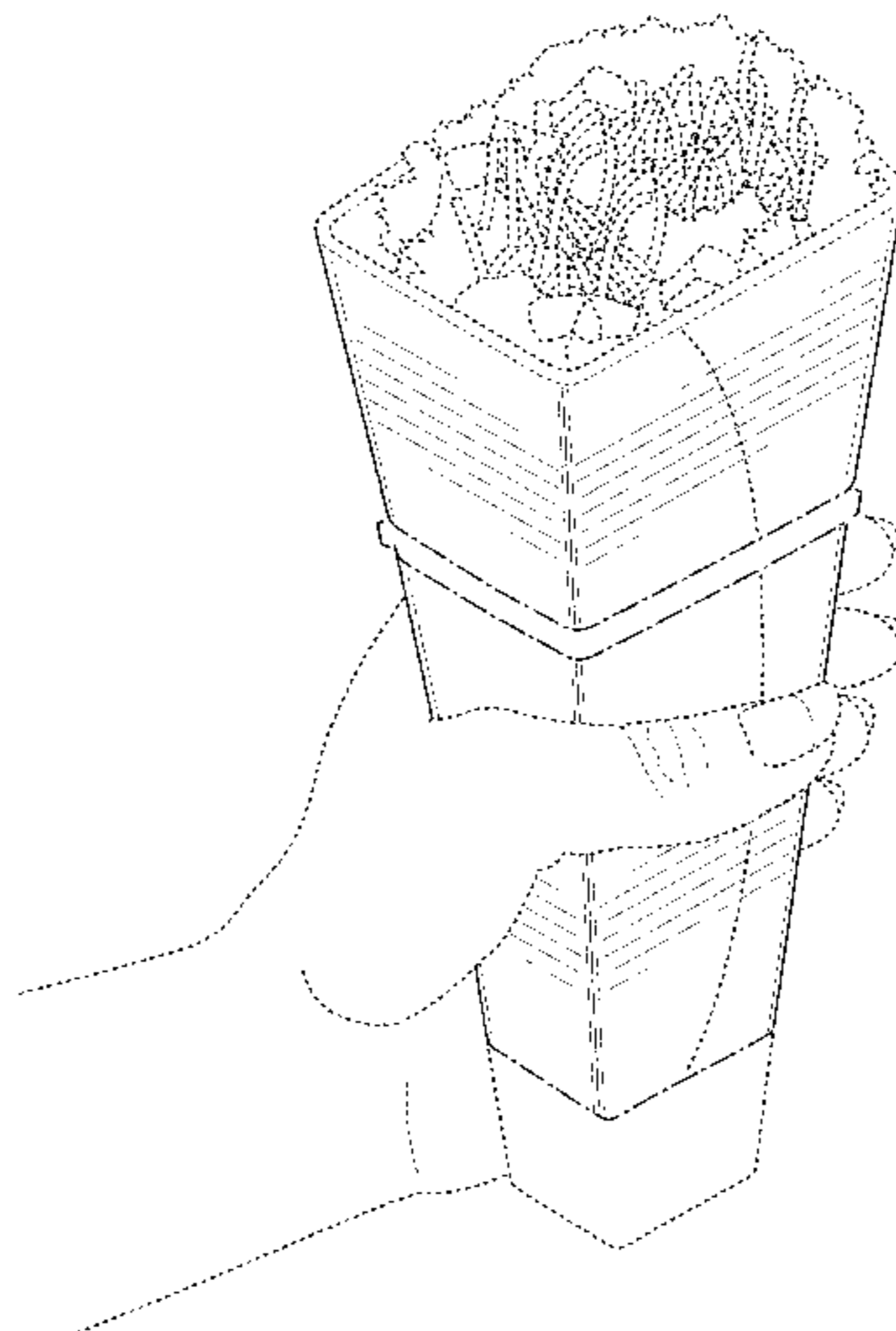
(57) **CLAIM**

The ornamental design for a molded tortilla pocket, as shown and described.

DESCRIPTION

FIG. 1 is a top, front, left side perspective view of a molded tortilla pocket according to our new design; FIG. 2 is a front elevational view of the molded tortilla pocket; FIG. 3 is a rear elevational view of the molded tortilla pocket; FIG. 4 is a left side view of the molded tortilla pocket; FIG. 5 is a right side view of the molded tortilla pocket; FIG. 6 is a top plan view of the molded tortilla pocket; and, FIG. 7 is a bottom plan view of the molded tortilla pocket. The dash-dot-dash symbolic break lines shown in the middle portion of the molded tortilla pocket indicate that the appearance of any portion of the article between the break lines forms no part of the claimed design. The evenly-spaced broken lines illustrating the food and the hand in FIG. 1 illustrates environment that form no part of the claimed design while the remaining evenly-spaced broken lines in the drawings illustrate portions of the molded tortilla pocket that form no part of the claimed design. The dash-dot-dash broken lines shown in FIGS. 1-7 illustrate the boundary of the claimed design which forms no part thereof.

1 Claim, 4 Drawing Sheets



(56)

References Cited

U.S. PATENT DOCUMENTS

2,100,888 A * 11/1937 Vine B67C 11/02
141/337
3,324,906 A * 6/1967 Chu G01F 11/282
141/114
3,804,134 A * 4/1974 Wehking B67B 7/28
141/98
4,313,964 A 2/1982 Dembecki
D292,940 S 12/1987 DiPietro
5,336,511 A 8/1994 Der Beek
5,369,511 A * 11/1994 Amos G02B 5/001
359/107
D363,221 S * 10/1995 Puryear D7/700
D368,990 S * 4/1996 Thomas D24/194
D374,281 S * 10/1996 Markles D24/122
6,202,225 B1 * 3/2001 Beck A61F 5/4556
141/337
6,460,200 B1 * 10/2002 Mottale A61F 5/4556
141/331
7,008,655 B1 3/2006 Aslanis
7,131,626 B2 11/2006 Cole
D569,076 S * 5/2008 Lebrand D1/105
D623,826 S 9/2010 Griebel
D643,587 S 8/2011 Bianchi
8,349,384 B2 1/2013 Huxel et al.
9,764,503 B2 9/2017 Seto
D822,316 S 7/2018 Cammarota et al.
2006/0216378 A1 9/2006 Boscolo
2010/0034930 A1 2/2010 Ko
2014/0272004 A1 9/2014 Porat

* cited by examiner

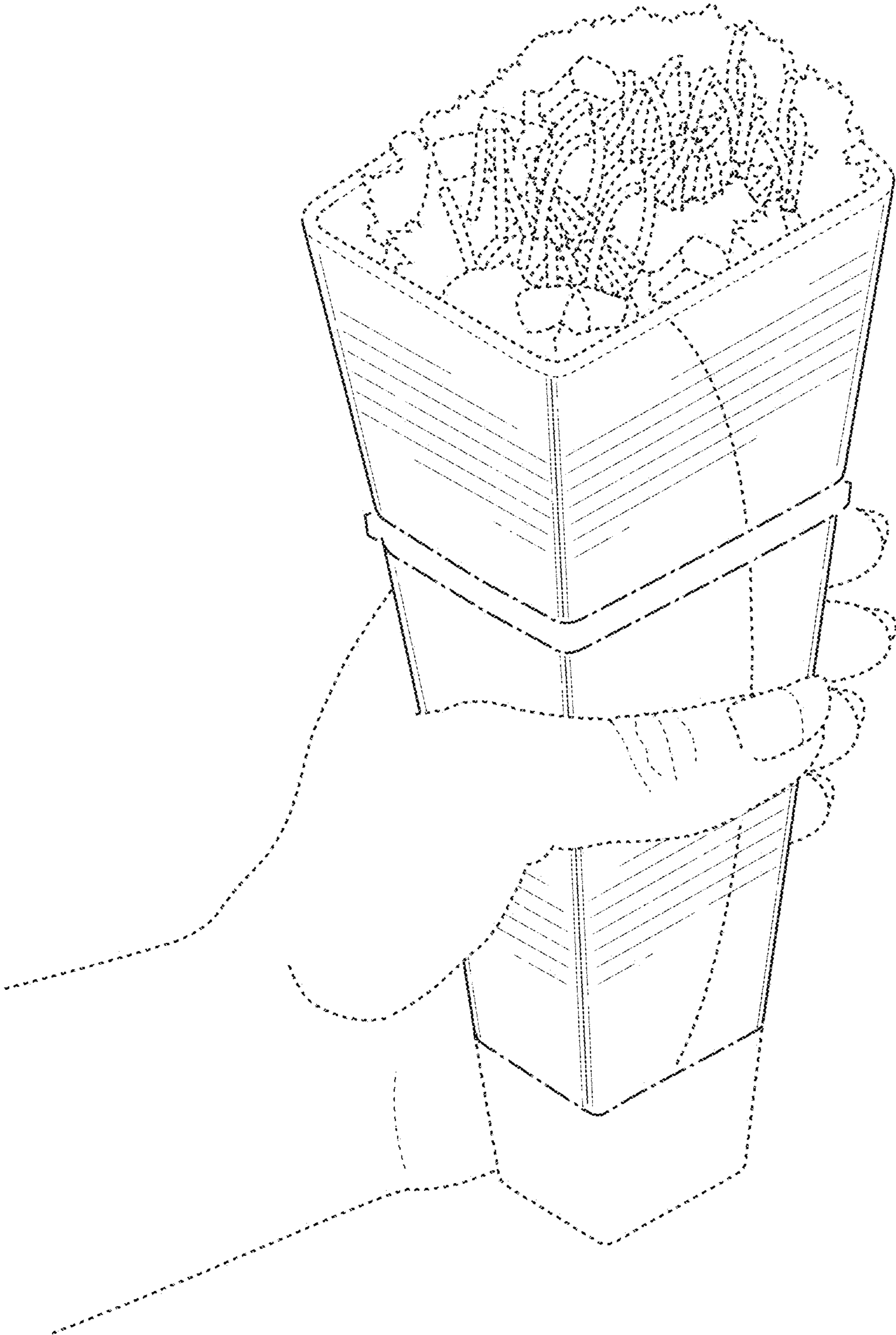


FIG. 1

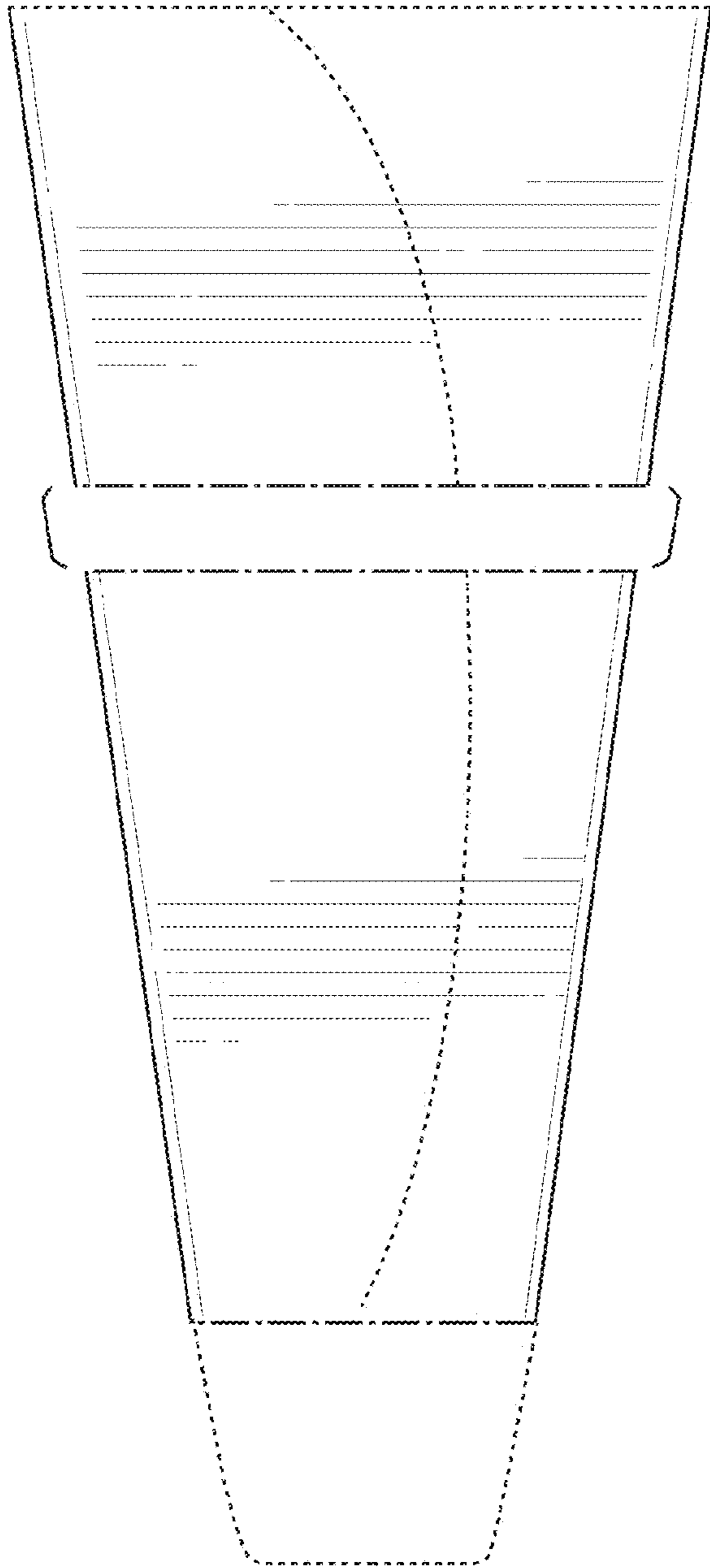


FIG. 2

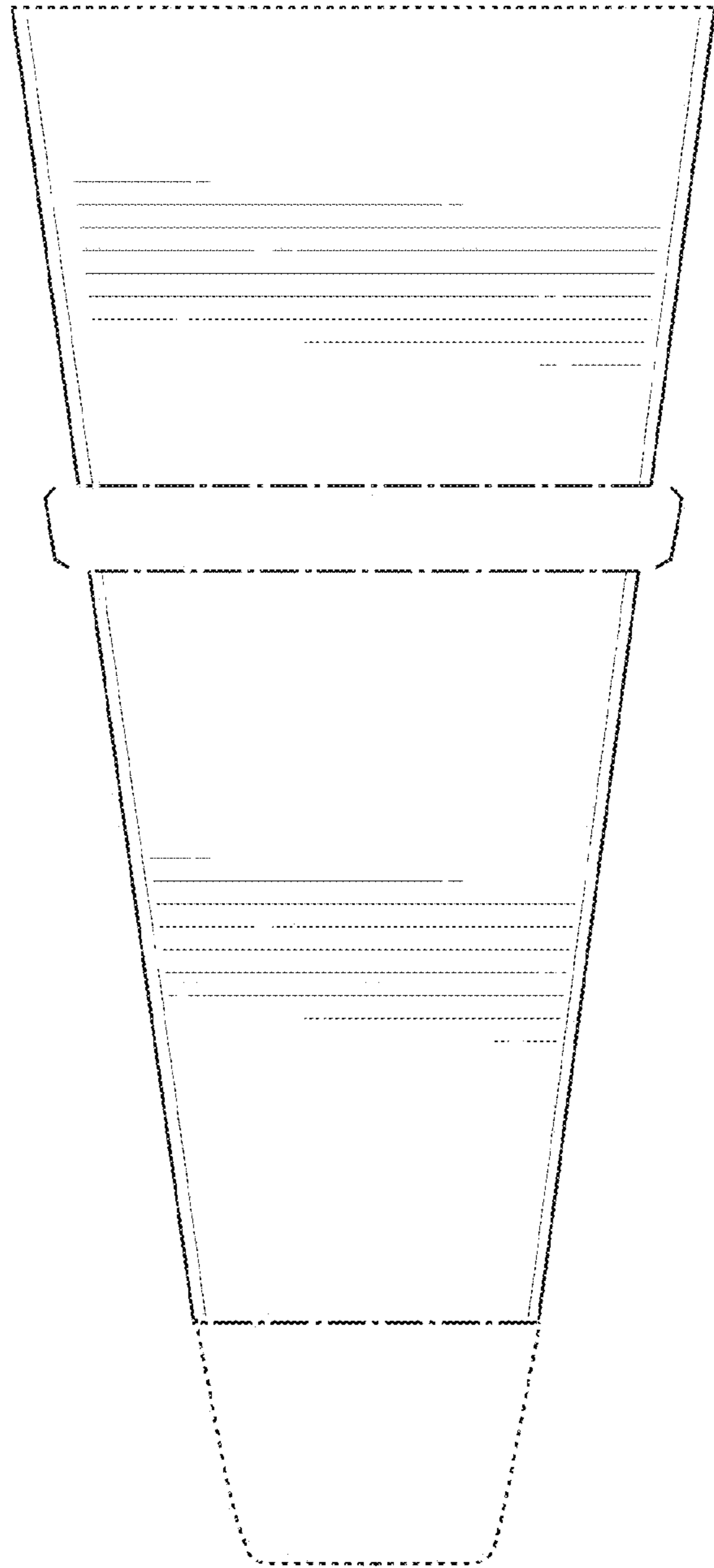


FIG. 3

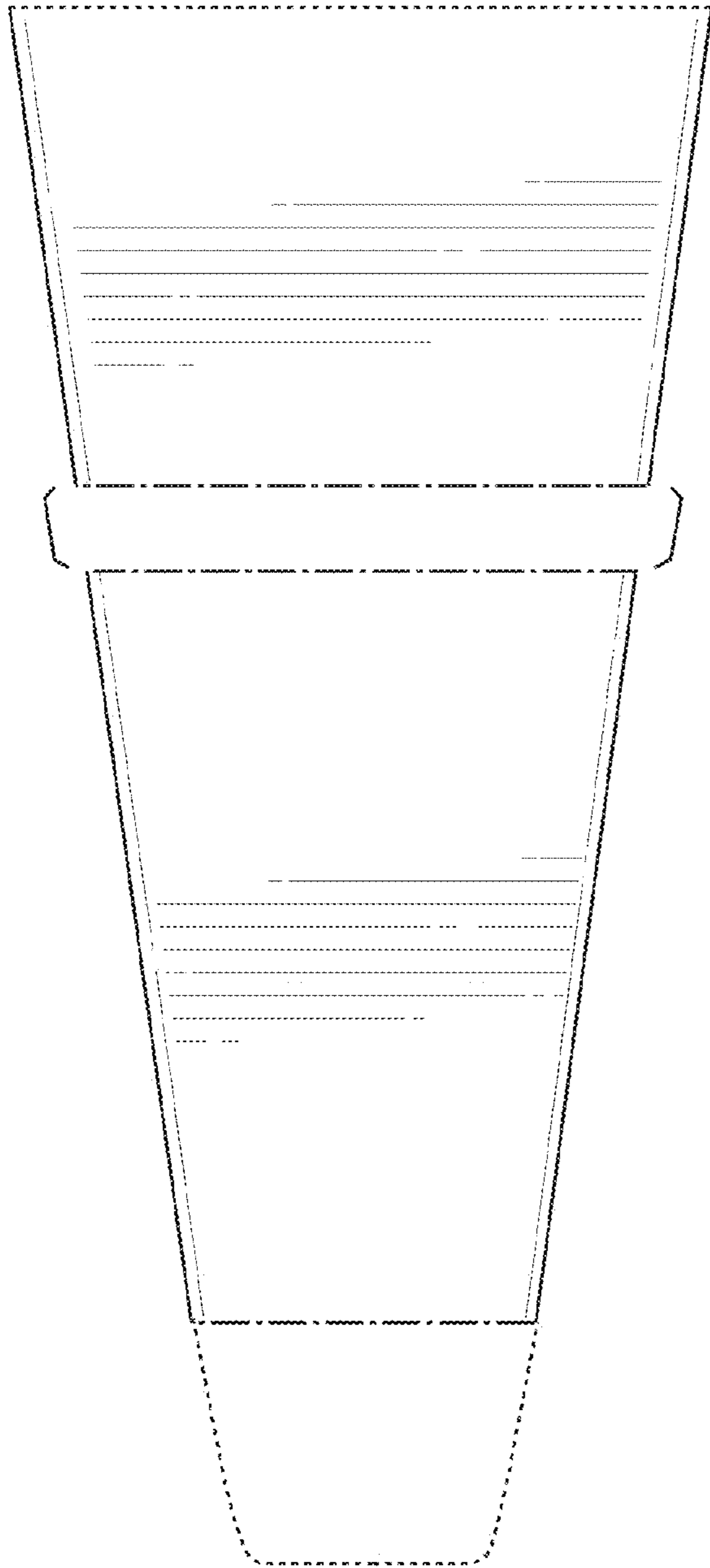


FIG. 4

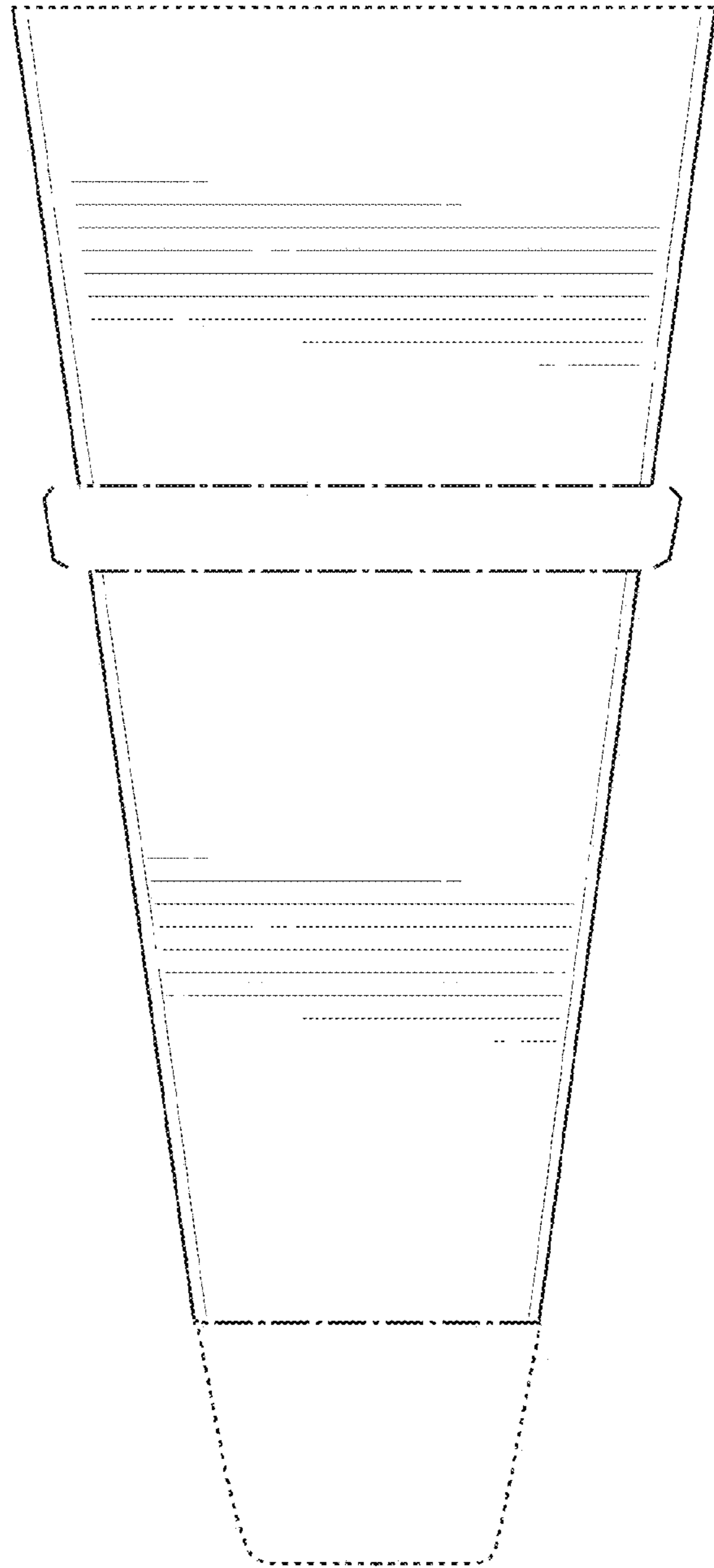


FIG. 5

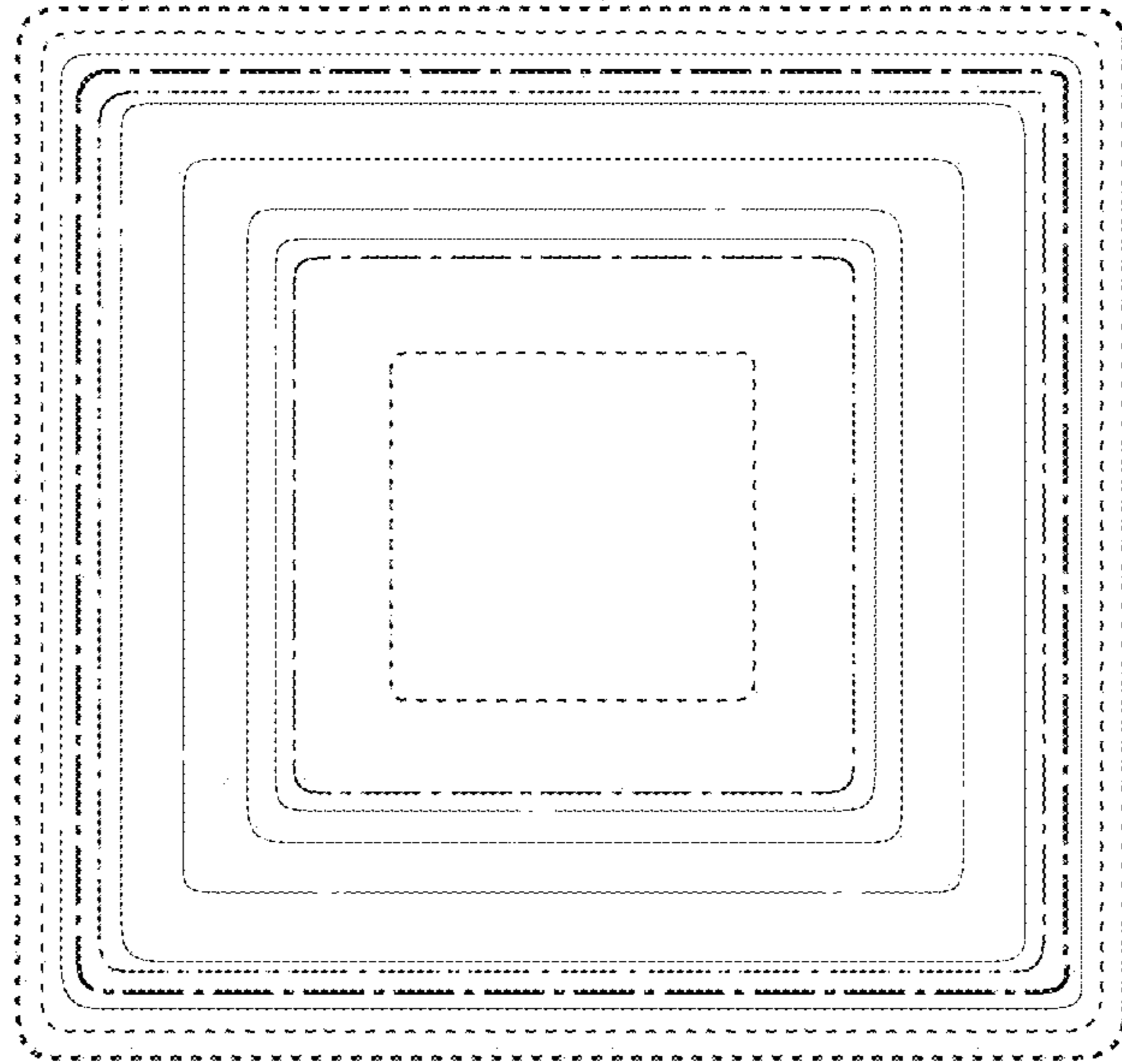


FIG. 6

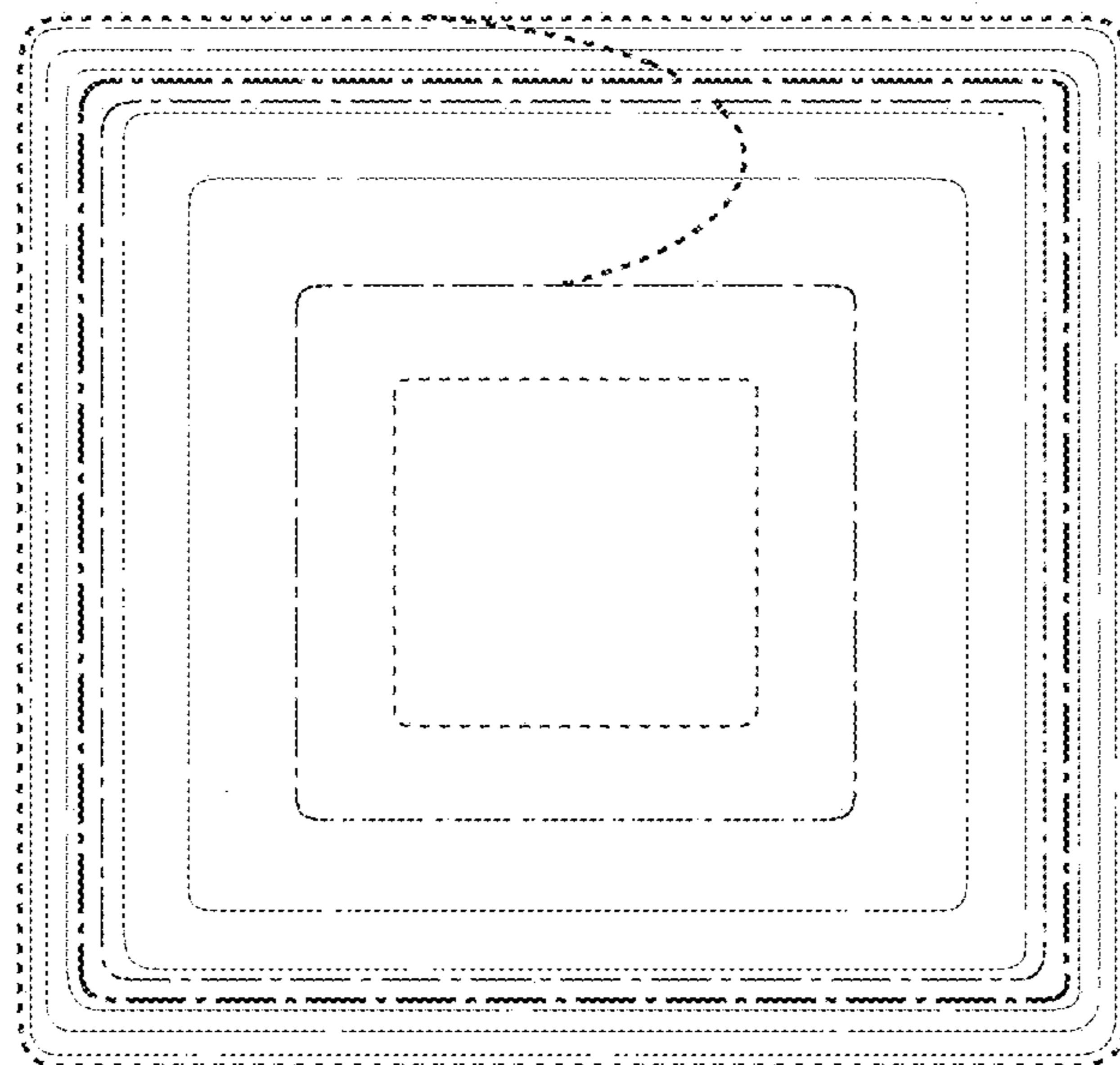


FIG. 7