



US00D908304S

(12) **United States Design Patent**  
**Park et al.**

(10) **Patent No.:** **US D908,304 S**

(45) **Date of Patent:** **\*\* Jan. 19, 2021**

(54) **FORKLIFT**

(56) **References Cited**

(71) Applicant: **DOOSAN CORPORATION**, Seoul  
(KR)

U.S. PATENT DOCUMENTS

(72) Inventors: **Chanyoung Park**, Gyeonggi-do (KR);  
**Jinhup Yeu**, Gyeonggi-do (KR);  
**Dongchul Lee**, Gyeonggi-do (KR);  
**Minki Kim**, Gyeonggi-do (KR);  
**Yoojeung Lim**, Gyeonggi-do (KR);  
**Eunsook Seo**, Seoul (KR)

D470,990 S	*	2/2003	Han	.....	D34/34
D579,622 S	*	10/2008	Kim	.....	D34/34
D579,623 S	*	10/2008	Kim	.....	D34/34
D696,830 S	*	12/2013	Kazaoka	.....	D34/34
D754,940 S	*	4/2016	Wen	.....	D34/34
D756,058 S	*	5/2016	Kang	.....	D34/34
D756,059 S	*	5/2016	Kang	.....	D34/34
D782,770 S	*	3/2017	Kang	.....	D34/34
D790,149 S	*	6/2017	Kang	.....	D34/34

(73) Assignee: **DOOSAN CORPORATION**, Seoul  
(KR)

\* cited by examiner

(\*\*) Term: **15 Years**

*Primary Examiner* — Gino Colan

(21) Appl. No.: **29/654,736**

(74) *Attorney, Agent, or Firm* — Volpe Koenig

(22) Filed: **Jun. 27, 2018**

(57) **CLAIM**

The ornamental design for forklift, as shown and described.

(30) **Foreign Application Priority Data**

**DESCRIPTION**

Dec. 27, 2017 (KR) ..... 30-2017-0061984

(51) **LOC (13) Cl.** ..... **12-05**

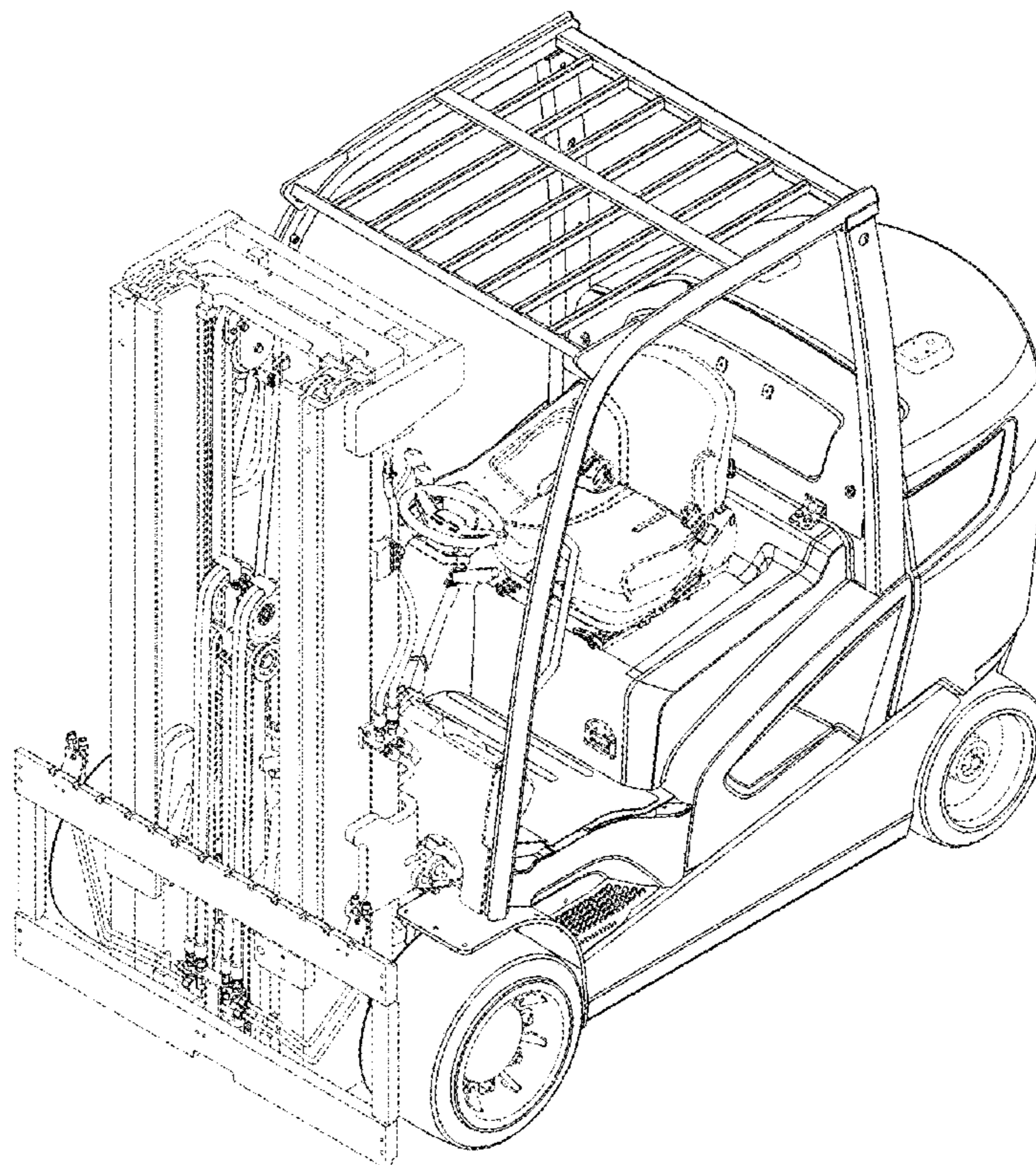
(52) **U.S. Cl.**  
USPC ..... **D34/31**

(58) **Field of Classification Search**  
USPC ..... D34/28, 34, 35; 187/222, 237, 238;  
414/465, 529, 785, 607, 572  
CPC ..... B66F 9/22; B66F 17/003  
See application file for complete search history.

FIG. 1 is a perspective view of the forklift;  
FIG. 2 is a front view of the forklift;  
FIG. 3 is a rear view of the forklift;  
FIG. 4 is a left side view of the forklift;  
FIG. 5 is a right side view of the forklift;  
FIG. 6 is a top view of the forklift; and,  
FIG. 7 is a bottom view of the forklift.

The broken lines shown in the figures are included for the purpose of illustrating portions of the forklift which form no part of the claimed design.

**1 Claim, 7 Drawing Sheets**



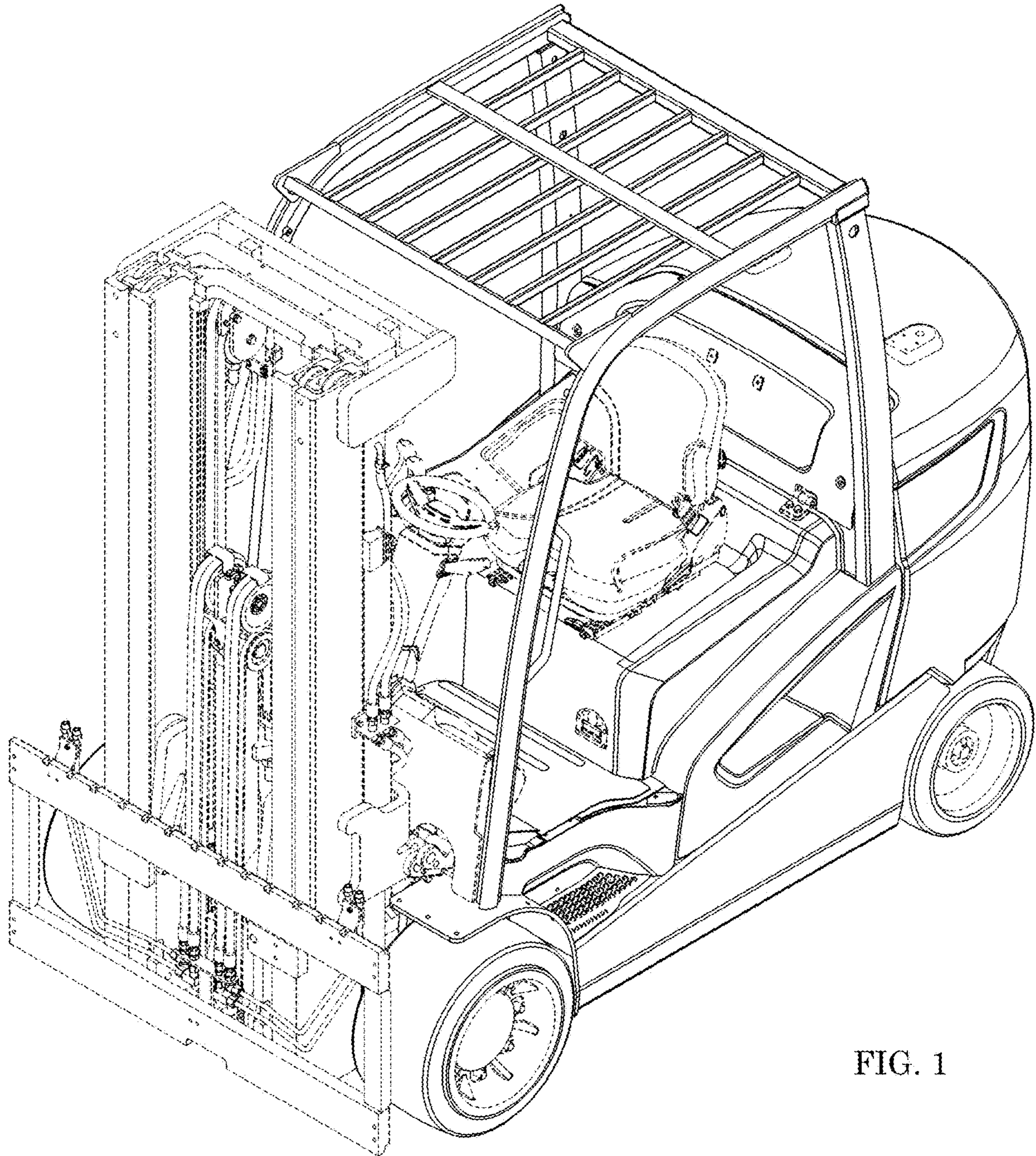


FIG. 1

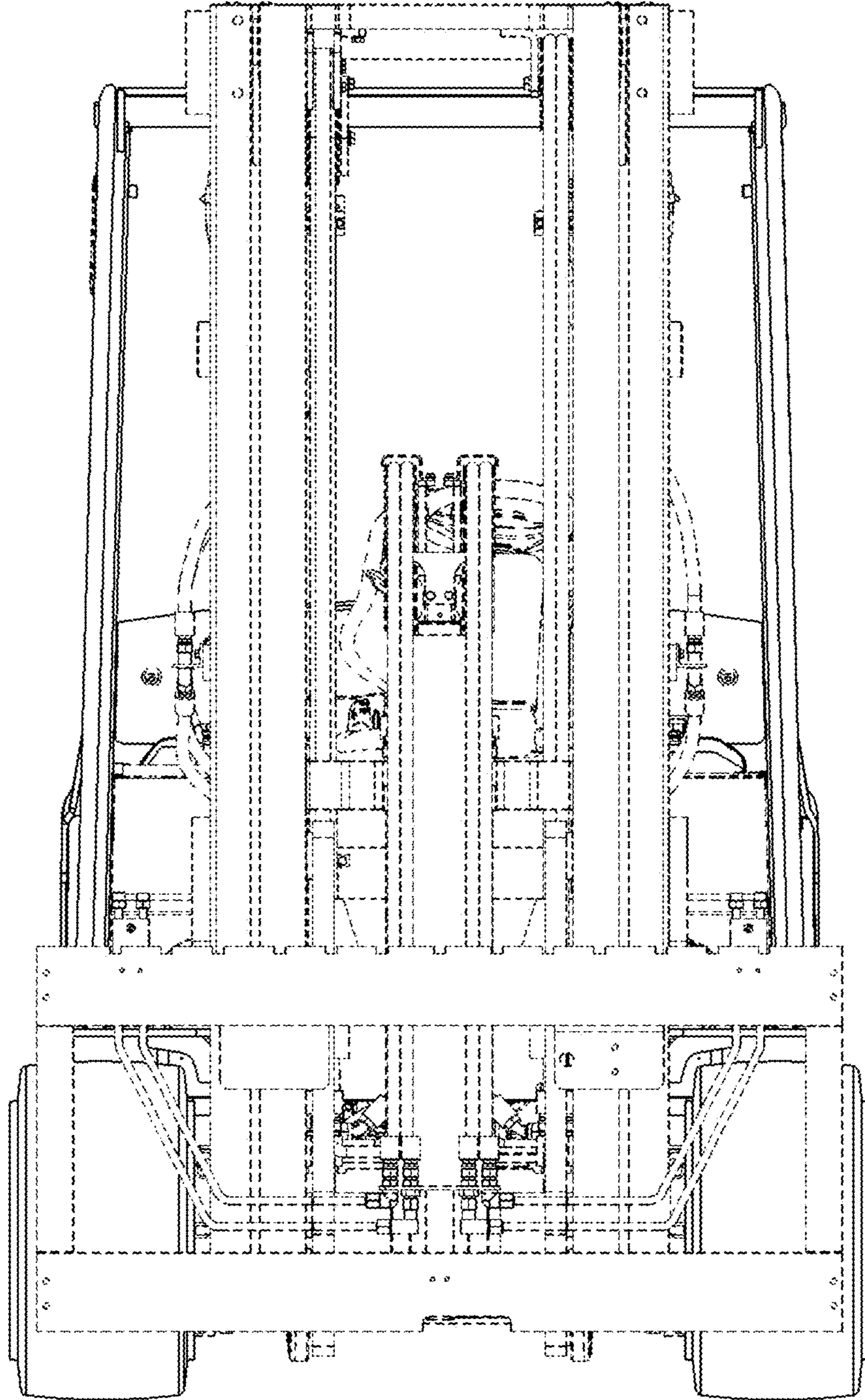


FIG. 2

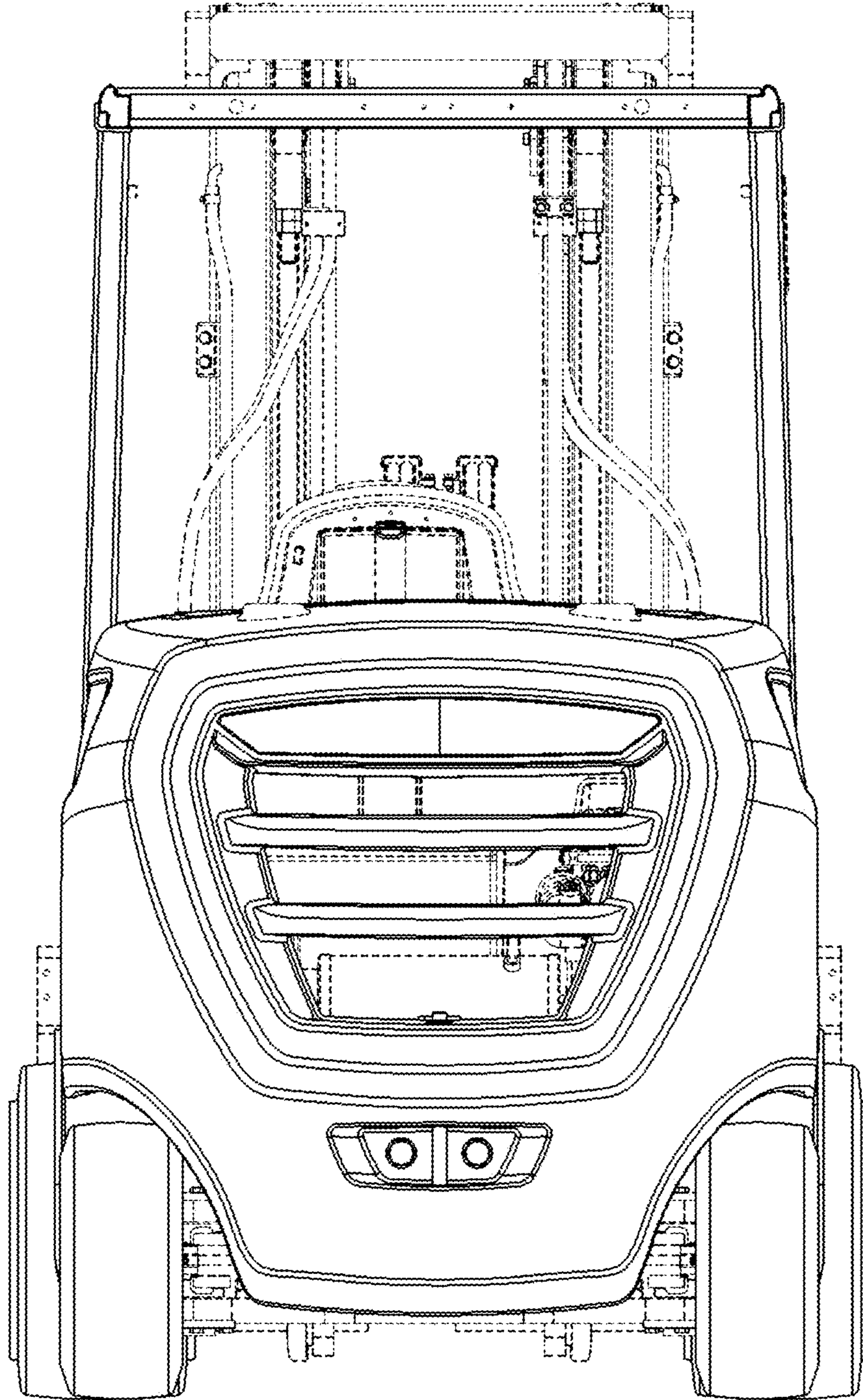


FIG. 3

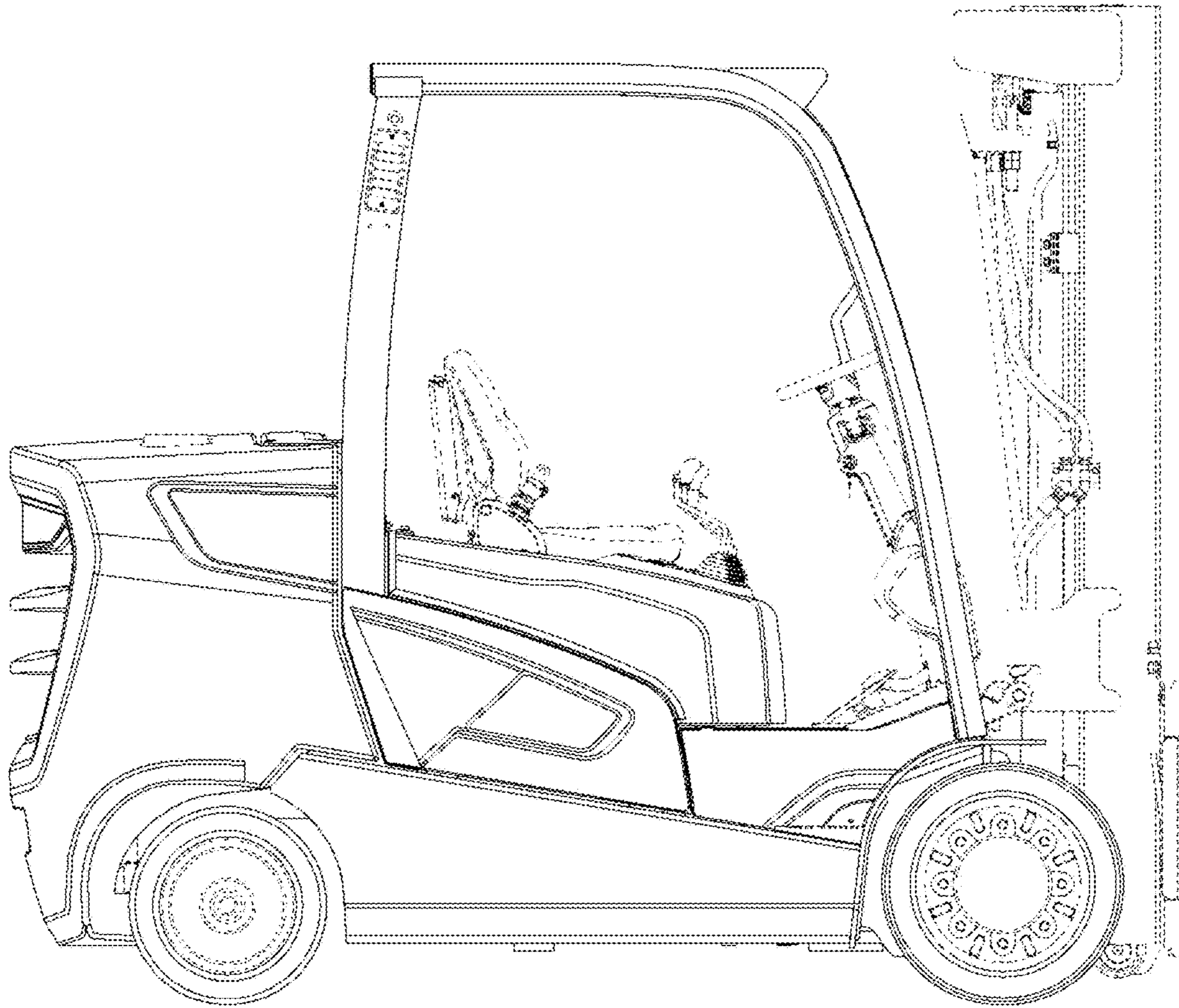


FIG. 4

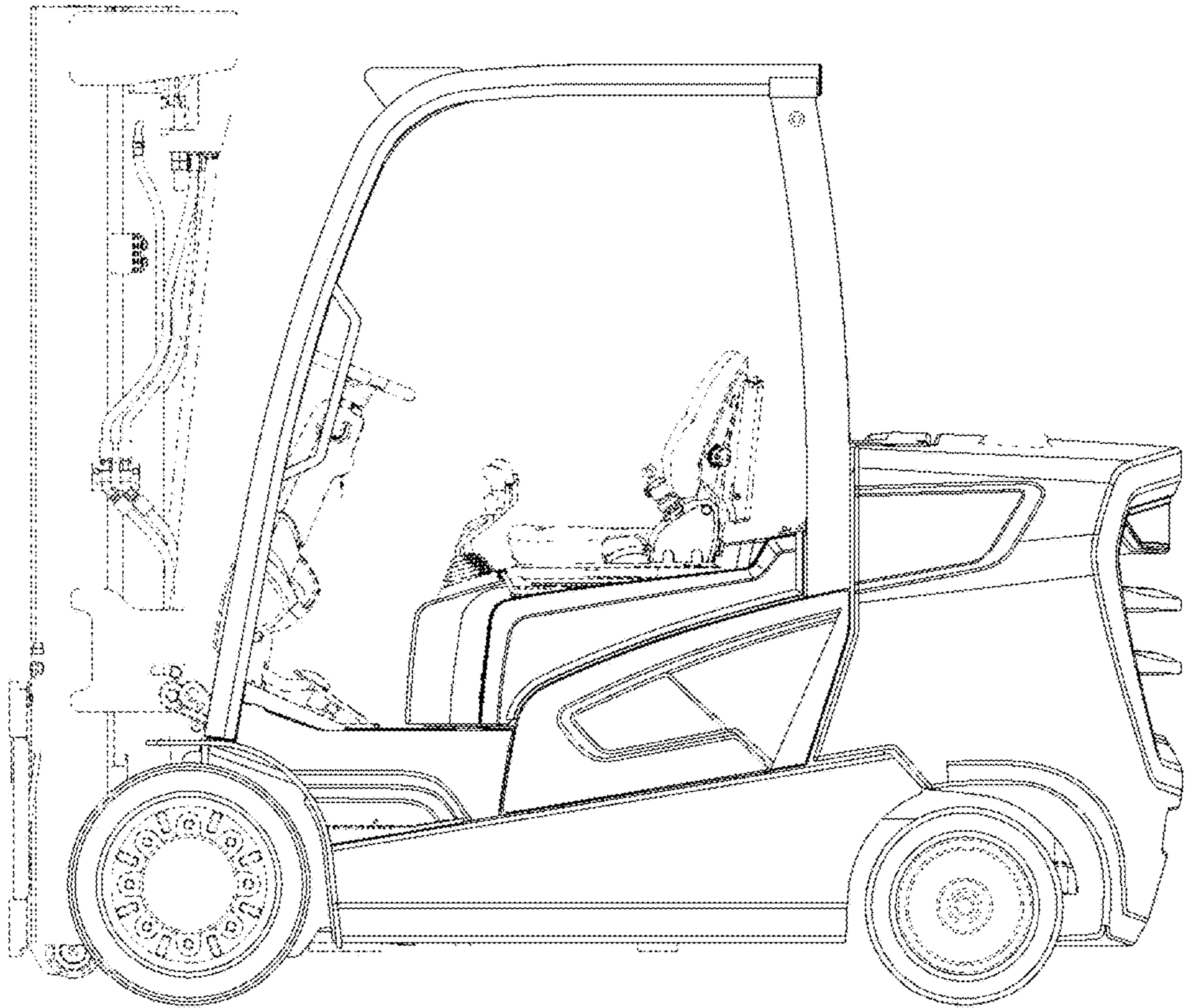


FIG. 5

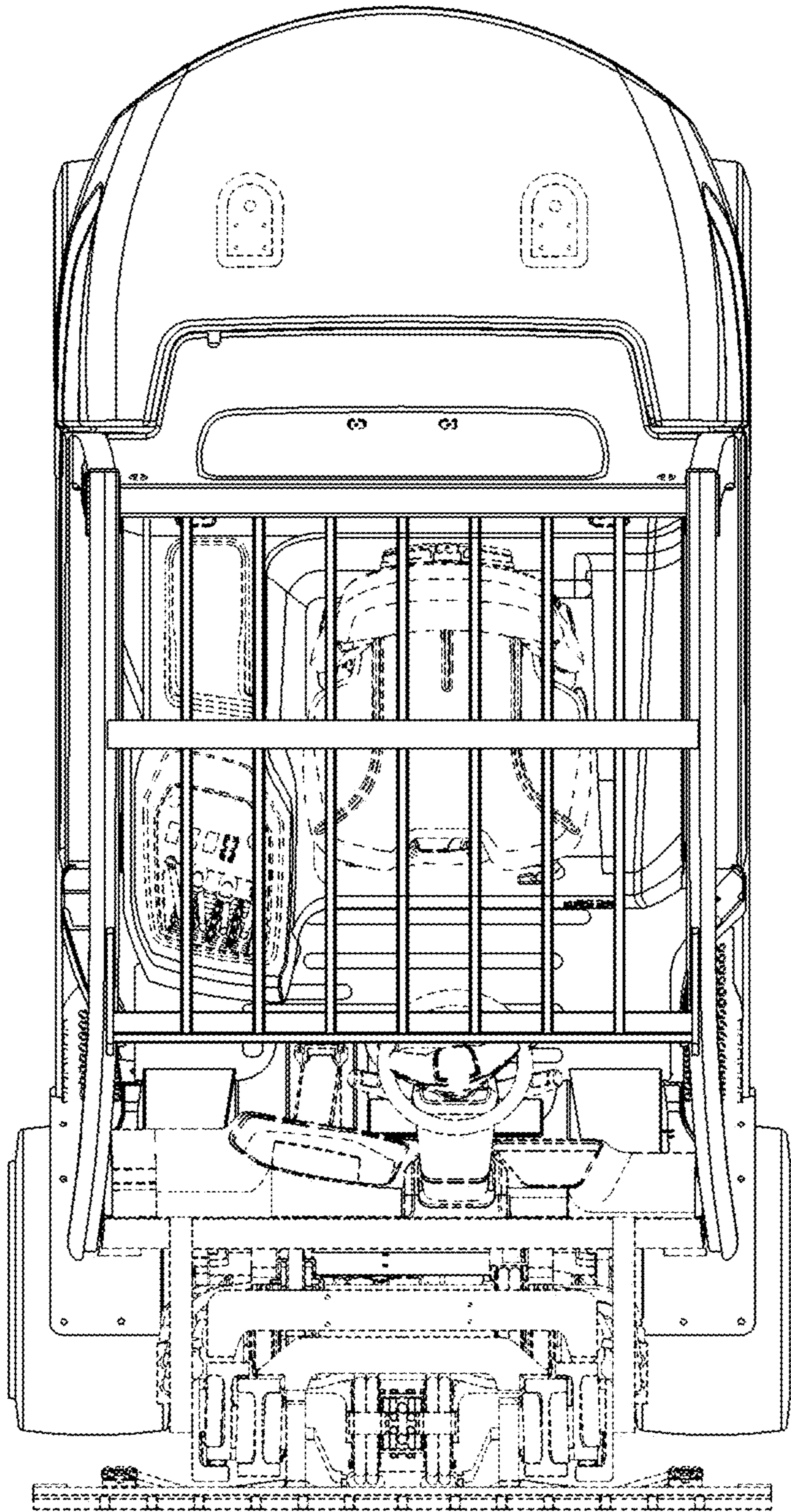


FIG. 6

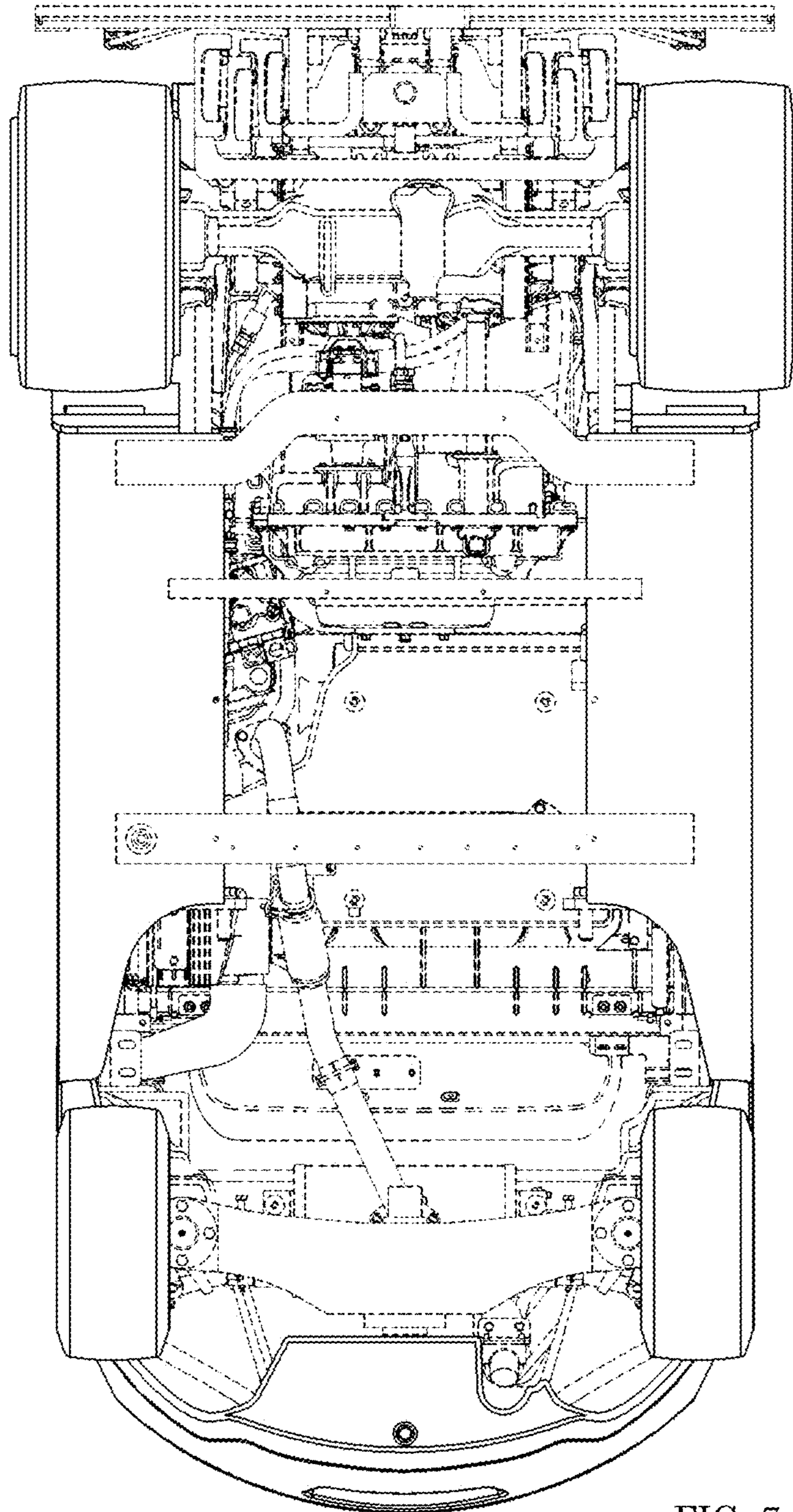


FIG. 7