



US00D908303S

(12) **United States Design Patent** (10) **Patent No.:** **US D908,303 S**
Prince (45) **Date of Patent:** **** Jan. 19, 2021**

(54) **WORKSTATION**
(71) Applicant: **Ergotron, Inc.**, St. Paul, MN (US)
(72) Inventor: **David James Prince**, Saint Paul, MN (US)
(73) Assignee: **Ergotron, Inc.**, St. Paul, MN (US)

D393,382 S 4/1998 Rutter et al.
D398,123 S 9/1998 Dell et al.
D443,744 S * 6/2001 Intravatora D34/12
D456,171 S 4/2002 Coonan et al.
D459,610 S 7/2002 Coonan et al.
D462,206 S 9/2002 Dame et al.
D466,721 S 12/2002 Coonan et al.
D486,915 S * 2/2004 Warschewske D24/185
(Continued)

(**) Term: **15 Years**

FOREIGN PATENT DOCUMENTS

(21) Appl. No.: **29/661,639**

CN 305430417 S 11/2019

(22) Filed: **Aug. 29, 2018**

OTHER PUBLICATIONS

Related U.S. Application Data

“Chinese Application Serial No. 201930245817.9, Office Action dated Jul. 1, 2019”, w/ English machine translation, 3 pgs.
(Continued)

(63) Continuation-in-part of application No. 29/639,252, filed on Mar. 5, 2018, now abandoned.

(51) **LOC (13) Cl.** **12-02**

(52) **U.S. Cl.**
USPC **D34/17**

(58) **Field of Classification Search**

USPC 180/20; 280/33.991, 33.992, 33.995, 280/33.996, 33.997, 47.35, 79.2, 79.3, 280/647, 651; D12/129; D34/12, 14, 16, D34/17, 19, 20, 21, 23, 24, 25, 27
CPC B62B 3/001; B62B 3/007; B62B 2203/07; B62B 3/108

See application file for complete search history.

Primary Examiner — Cynthia Ramirez
Assistant Examiner — Michael A Maharajh
(74) *Attorney, Agent, or Firm* — Schwegman Lundberg & Woessner, P.A.

(57) **CLAIM**

The ornamental design for a workstation, as shown and described.

DESCRIPTION

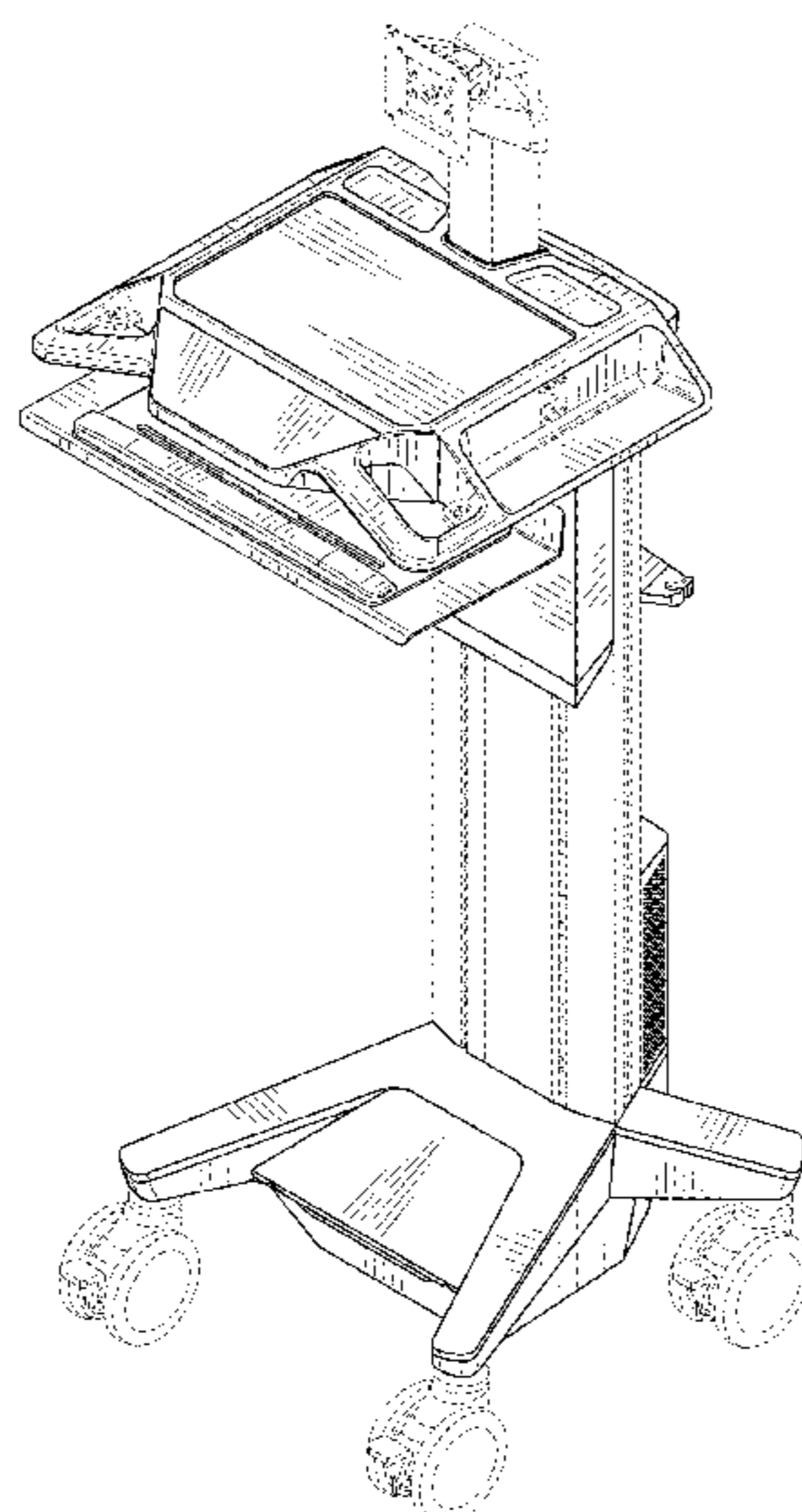
(56) **References Cited**

U.S. PATENT DOCUMENTS

2,654,147 A * 10/1953 Wilson B25H 1/0007 280/79.3
D247,034 S * 1/1978 Brodmann D34/17
D247,035 S * 1/1978 Brodmann D34/17
D247,036 S * 1/1978 Brodmann D34/17
D310,746 S * 9/1990 Berfield D34/12
D325,440 S * 4/1992 Landis D24/128
D328,377 S * 7/1992 Gordon D12/1
D349,994 S * 8/1994 Schurr D34/12
D383,210 S 9/1997 Smith et al.

FIG. 1 is a top-perspective view of a workstation;
FIG. 2 is a front view thereof;
FIG. 3 is a back view thereof;
FIG. 4 is a right-side view thereof;
FIG. 5 is a left-side view thereof;
FIG. 6 is a top view thereof; and,
FIG. 7 is a bottom view thereof.
The broken lines in the drawings are for the purpose of illustrating portions of the workstation that form no part of the claimed design.

1 Claim, 6 Drawing Sheets



(56)

References Cited

U.S. PATENT DOCUMENTS

D497,462 S * 10/2004 Ryan D24/185
 D500,575 S * 1/2005 Lucas D34/12
 6,964,423 B1 * 11/2005 Chieh B62B 5/0083
 280/79.2
 D517,768 S * 3/2006 Arceta D24/185
 D518,267 S 3/2006 Arceta
 D536,151 S * 1/2007 Rossini D34/12
 D547,519 S 7/2007 Reckelhoff
 D548,918 S * 8/2007 Nussberger D34/17
 D553,324 S * 10/2007 Lieblein D34/14
 D555,869 S * 11/2007 Zorzo D34/14
 7,490,837 B2 * 2/2009 Pond A61B 17/00
 280/47.35
 D594,170 S * 6/2009 Catron D34/14
 7,612,999 B2 * 11/2009 Clark A61B 5/0002
 248/918
 D609,423 S 2/2010 Aldana
 D610,324 S 2/2010 Rossini et al.
 D610,770 S 2/2010 Rossini et al.
 7,654,541 B2 * 2/2010 Stengel A47B 21/06
 280/47.19
 D612,124 S 3/2010 Rossini et al.
 D612,561 S * 3/2010 Hunter D34/14
 D613,866 S 4/2010 Tanaka et al.
 D620,121 S * 7/2010 Moscovita D24/185
 D632,796 S 2/2011 Ross et al.
 D632,797 S 2/2011 Ross et al.
 D637,782 S * 5/2011 Steffens D34/14
 D642,763 S * 8/2011 Liang D34/14
 D645,630 S * 9/2011 Steffens D34/14
 D650,142 S * 12/2011 McRorie D34/14
 D650,545 S * 12/2011 Malone, Jr. D34/23
 D652,521 S 1/2012 Ross et al.
 D652,936 S 1/2012 Ross et al.
 8,172,242 B1 * 5/2012 Crandall A61B 5/0059
 280/47.35
 8,245,652 B2 8/2012 Hung
 D668,829 S 10/2012 Ono
 D669,651 S 10/2012 Ono
 D670,472 S 11/2012 Ono
 8,474,835 B1 * 7/2013 Rossi B62B 3/02
 280/47.35
 8,567,798 B2 * 10/2013 Rossini A61G 12/001
 280/43
 8,651,501 B1 * 2/2014 Davis B62B 5/0086
 254/133 R
 D700,706 S 3/2014 Molter
 D708,810 S 7/2014 Lewis, Jr.
 D711,614 S * 8/2014 Shitrit D34/23
 8,844,951 B2 9/2014 De Jong et al.
 D720,912 S * 1/2015 Bruch D34/23
 D722,172 S 2/2015 Amemiya et al.
 D722,696 S 2/2015 Blomquist et al.
 D730,011 S 5/2015 Mcrorie et al.
 D730,528 S * 5/2015 Yang D24/185
 D739,538 S 9/2015 Bernal et al.
 9,139,213 B2 * 9/2015 Trish A61G 12/001
 9,367,061 B2 * 6/2016 Miller G05B 19/042
 D762,339 S * 7/2016 McRorie D34/27
 D786,522 S * 5/2017 Houlihan B62B 3/008
 D34/14
 D798,521 S 9/2017 Huddy

D803,409 S * 11/2017 Black D24/185
 D804,040 S * 11/2017 Black D24/185
 D804,041 S * 11/2017 Black D24/185
 D805,065 S 12/2017 Taylor et al.
 D806,340 S 12/2017 Stalter et al.
 D810,305 S * 2/2018 Zhang D24/185
 D822,302 S * 7/2018 Intravatora D34/12
 D824,521 S 7/2018 Adams et al.
 D837,221 S 1/2019 Janzen et al.
 D852,447 S 6/2019 Schenone et al.
 D854,772 S 7/2019 Ecklund et al.
 D857,211 S * 8/2019 Schlereth D24/185
 D857,327 S 8/2019 Fornarola et al.
 D863,559 S * 10/2019 Brooks D24/185
 10,453,572 B1 * 10/2019 Brooks A61G 12/001
 D866,110 S * 11/2019 D'Almada Remedios D34/21
 D866,903 S * 11/2019 Lundin D34/12
 D867,709 S * 11/2019 Coules D34/12
 2003/0122331 A1 * 7/2003 DiGiacomo, Jr. A47L 13/51
 280/47.35
 2003/0155730 A1 * 8/2003 Chu B62B 3/02
 280/47.35
 2004/0262867 A1 12/2004 Arceta et al.
 2005/0275178 A1 12/2005 Huesdash et al.
 2005/0288571 A1 12/2005 Perkins et al.
 2007/0001413 A1 1/2007 Rossini
 2007/0185390 A1 8/2007 Perkins et al.
 2007/0228680 A1 * 10/2007 Reppert A47B 21/00
 280/47.35
 2008/0012257 A1 * 1/2008 Cregg B62B 3/12
 280/79.3
 2008/0250989 A1 10/2008 Kozlowski et al.
 2009/0085317 A1 * 4/2009 Livengood A61H 3/04
 280/79.3
 2009/0212518 A1 * 8/2009 Bustle A47B 21/0314
 280/47.35
 2009/0212670 A1 8/2009 Bustle et al.
 2009/0315287 A1 12/2009 Rossini
 2010/0148458 A1 6/2010 Ross et al.
 2010/0213679 A1 8/2010 Smith et al.
 2011/0042911 A1 2/2011 Kozlowski, Jr. et al.
 2011/0089654 A1 4/2011 Chen
 2013/0026310 A1 1/2013 Belcourt-mccabe
 2013/0200579 A1 8/2013 Abernethy et al.
 2013/0200586 A1 * 8/2013 Trish A61G 12/001
 280/79.3
 2014/0084558 A1 3/2014 Ergun et al.
 2014/0117635 A1 * 5/2014 Ninomiya A61B 8/4405
 280/35

OTHER PUBLICATIONS

“U.S. Appl. No. 29/639,252, Restriction Requirement dated Sep. 4, 2019”, 10 pgs.
 “Carefit Pro Medial Cart”, Ergotron, [Online] Retrieved from the Internet : URL: <URL: https://www.ergotron.com/portals/0/reserved/resources/view/file/01-021-ea.pdf> (Aug. 24, 2019), 1 pg.
 “Chinese Application Serial No. 201930245817.9, Response filed Sep. 6, 2019 to Office Action dated Jul. 1, 2019”, w/o English translation, 7 pgs.
 “Chinese Application Serial No. 201830497004.4, Design Office Action dated Dec. 14, 2018”, w English summary, 2 pgs.

* cited by examiner

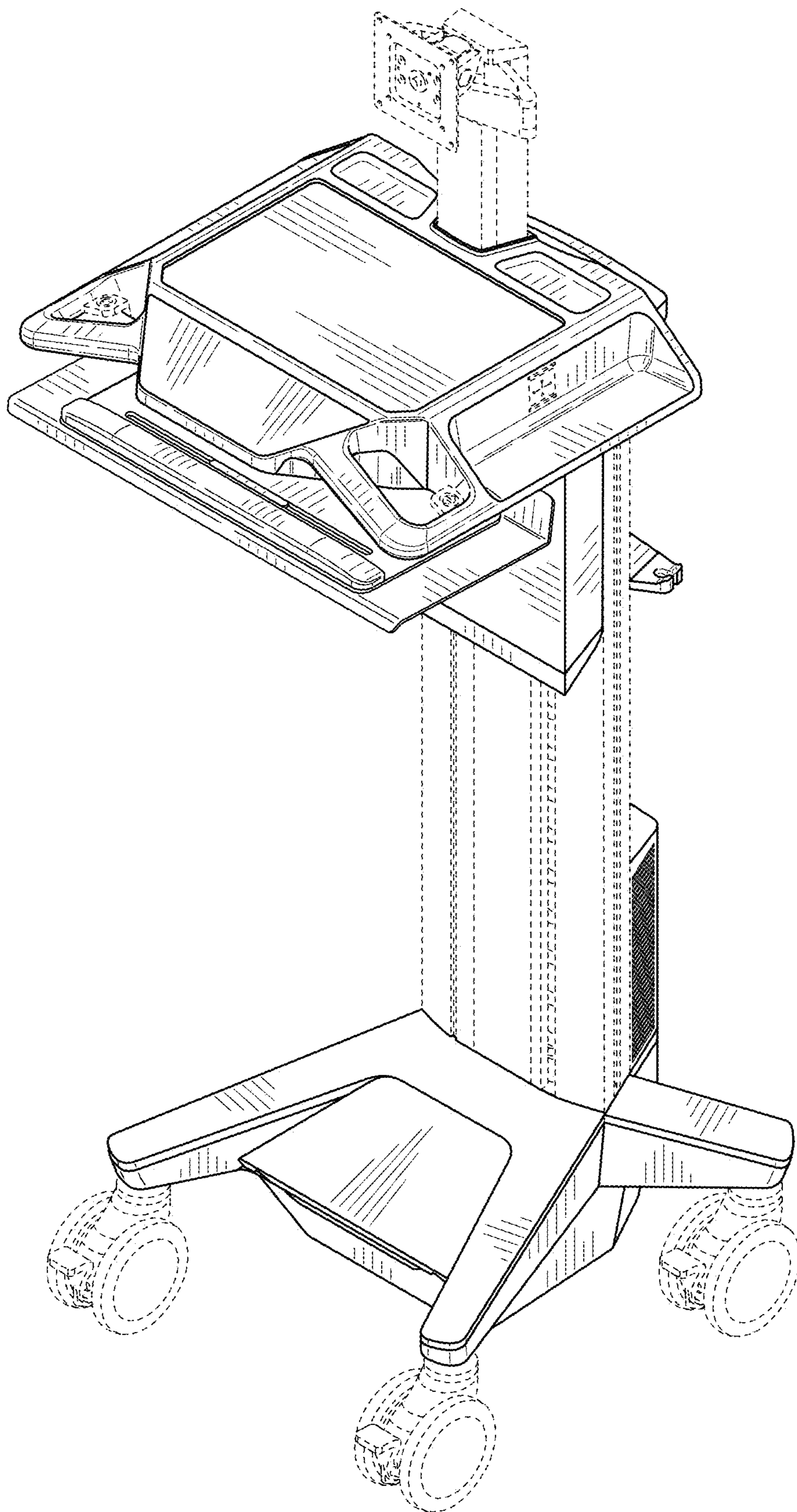


FIG. 1

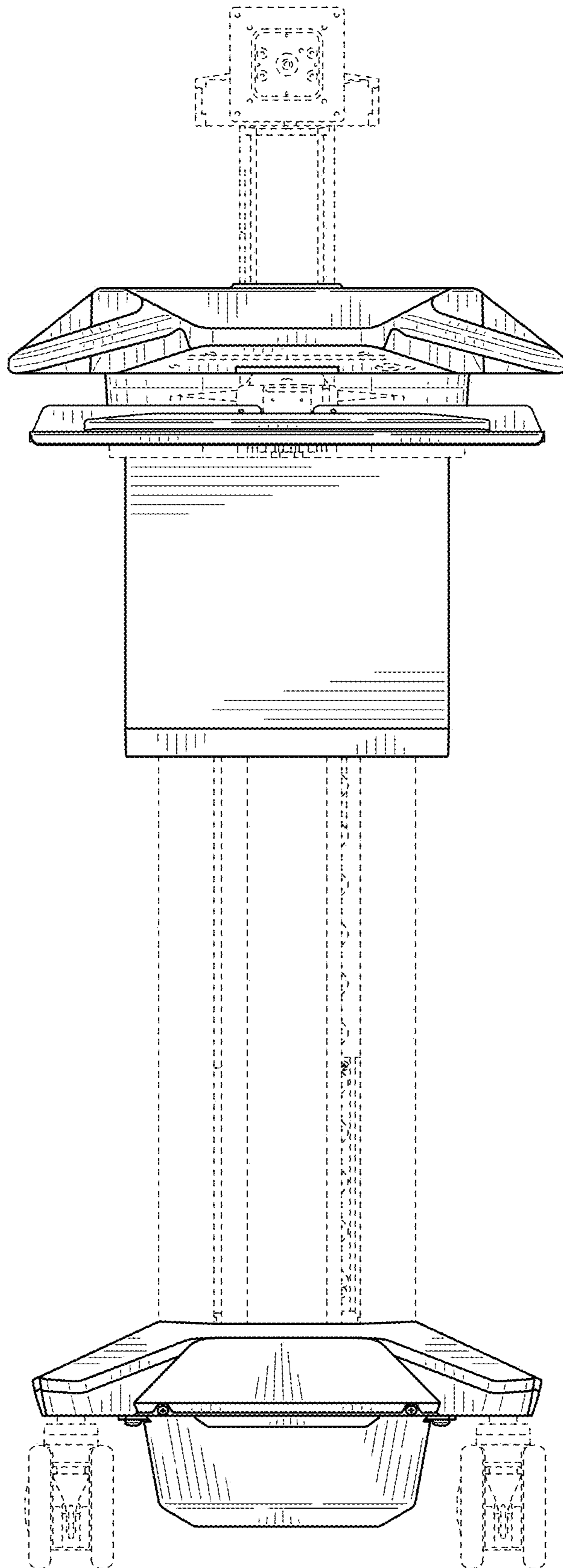


FIG. 2

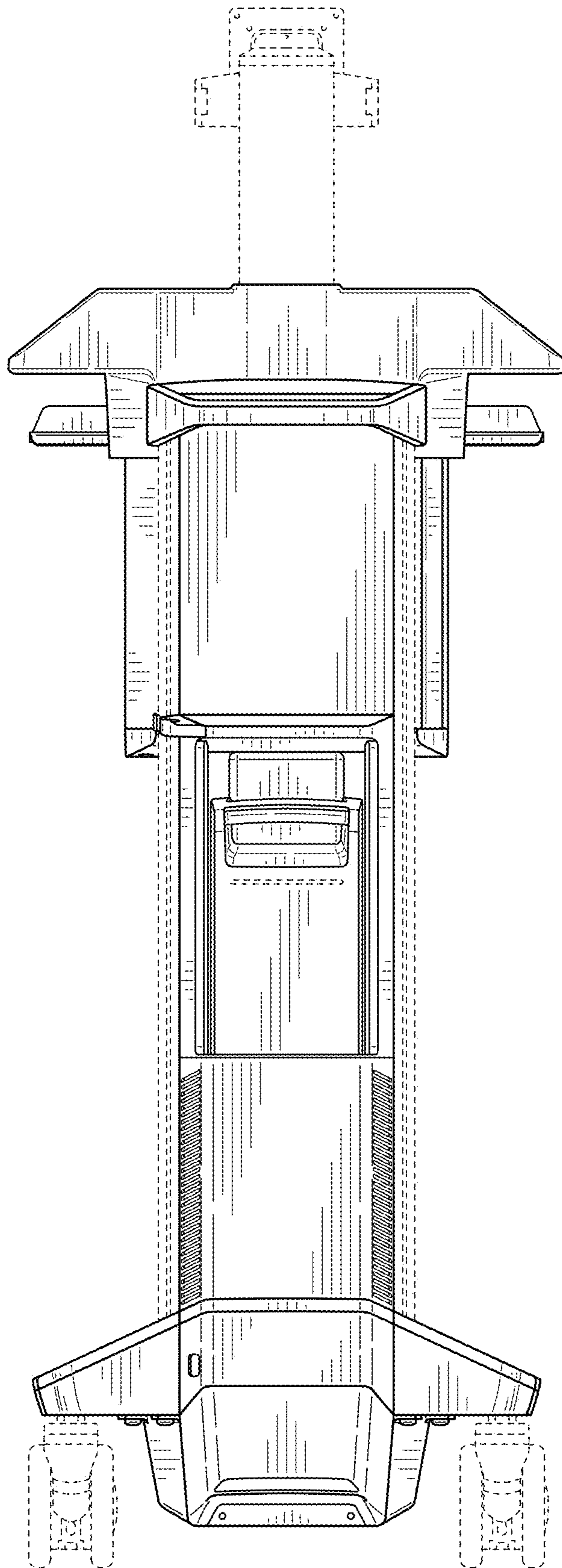


FIG. 3

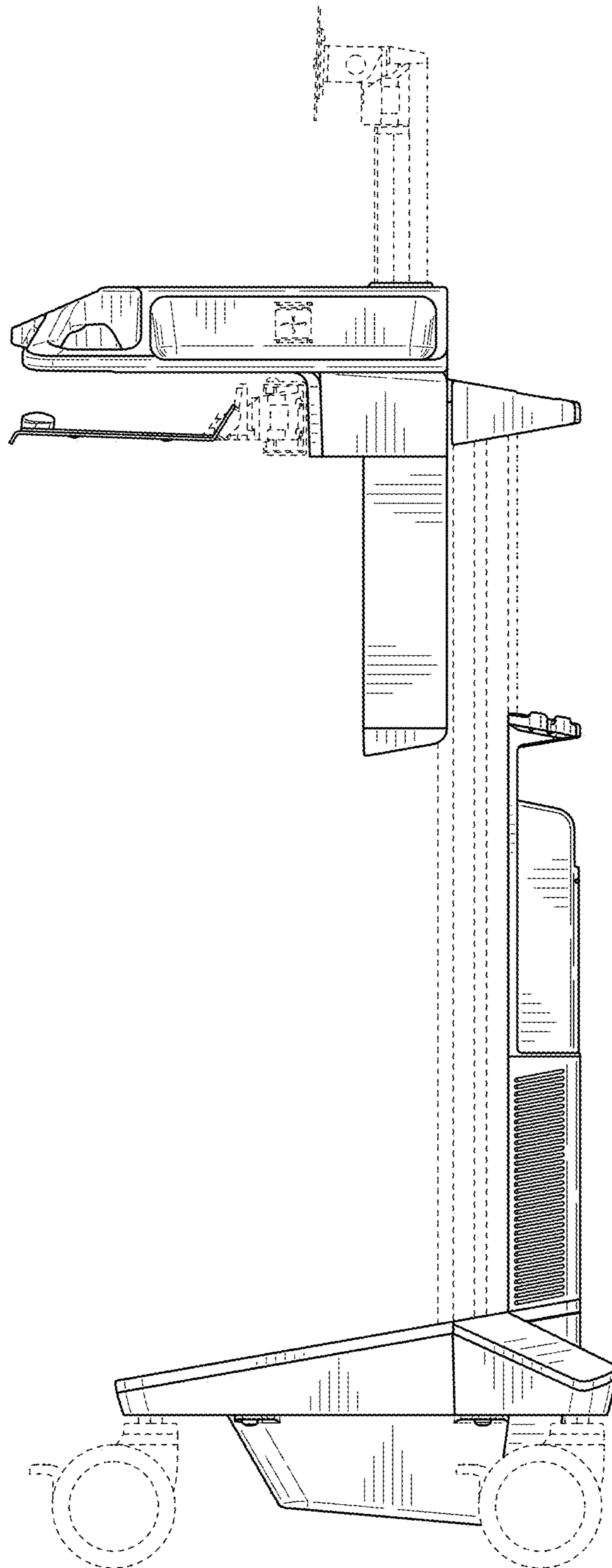


FIG. 4

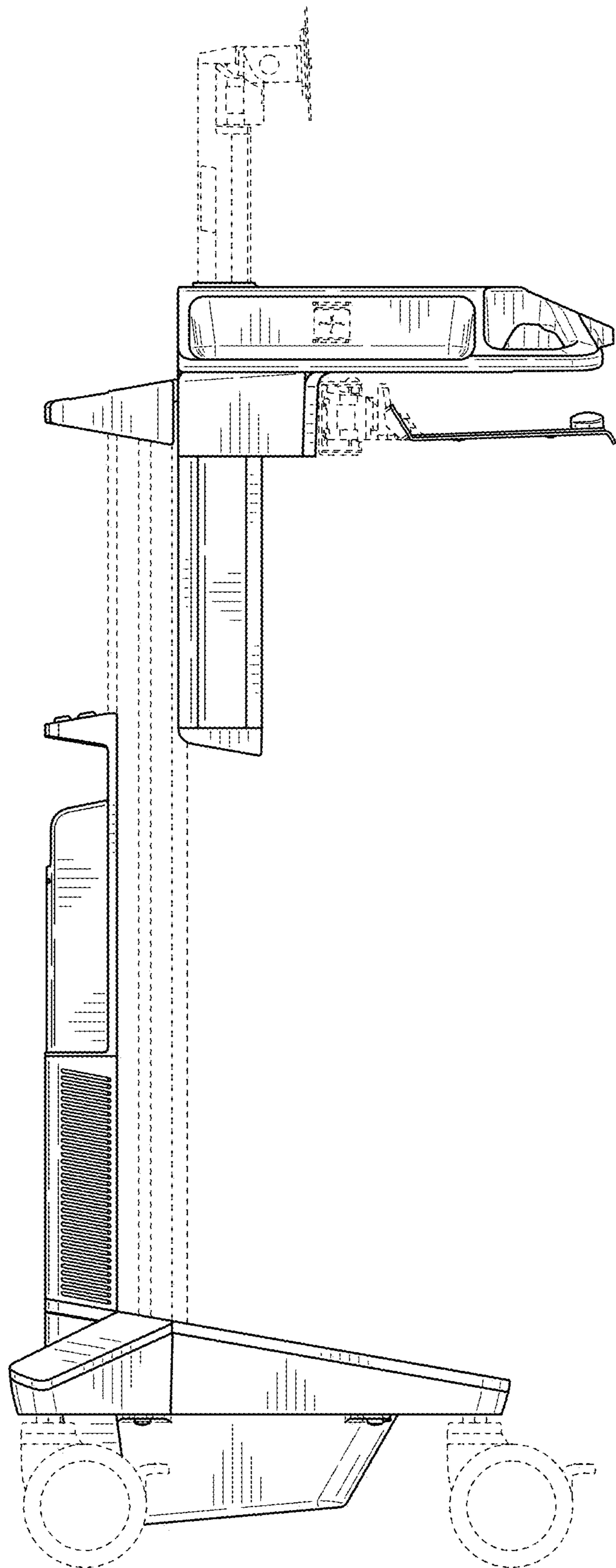


FIG. 5

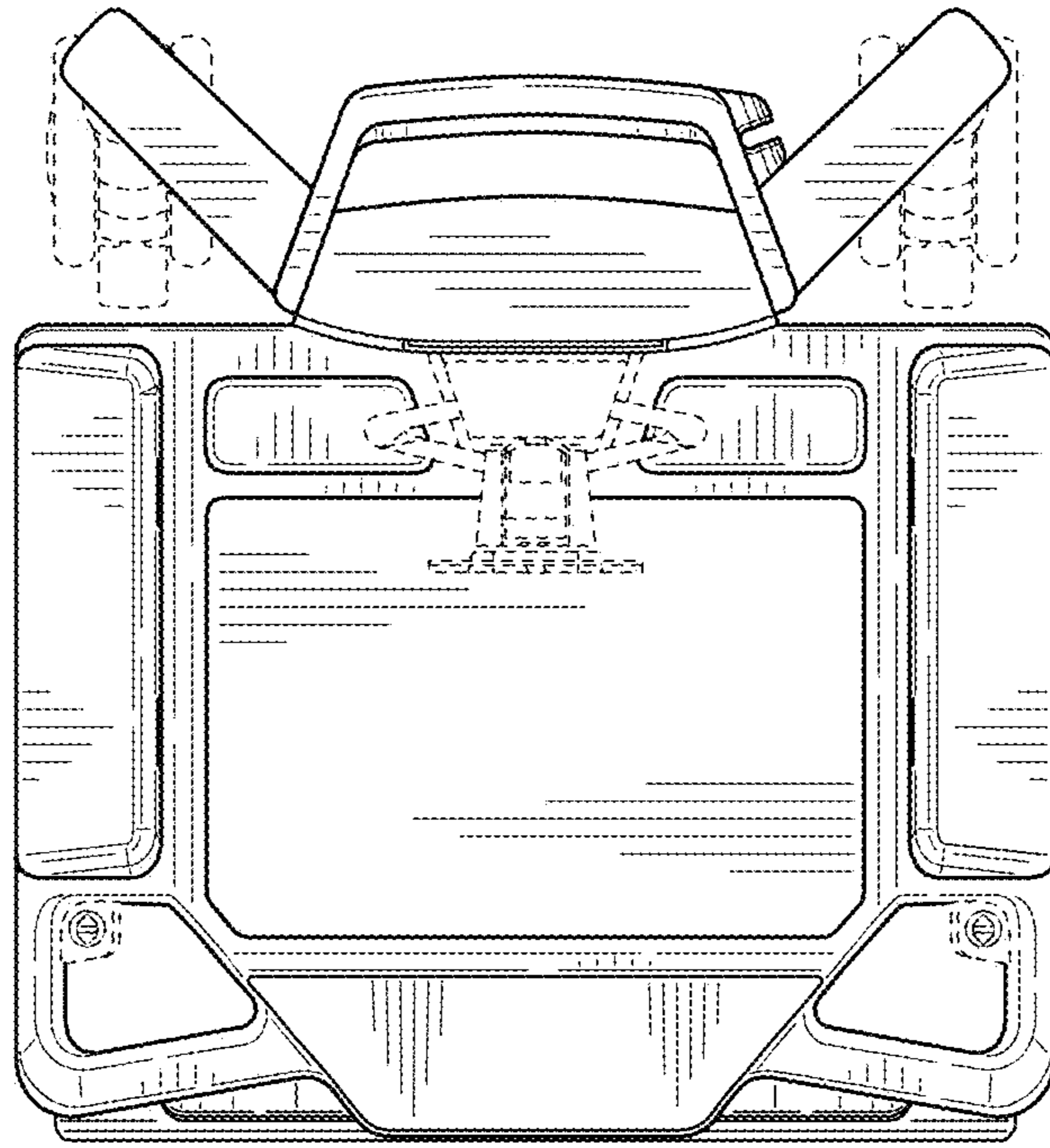


FIG. 6

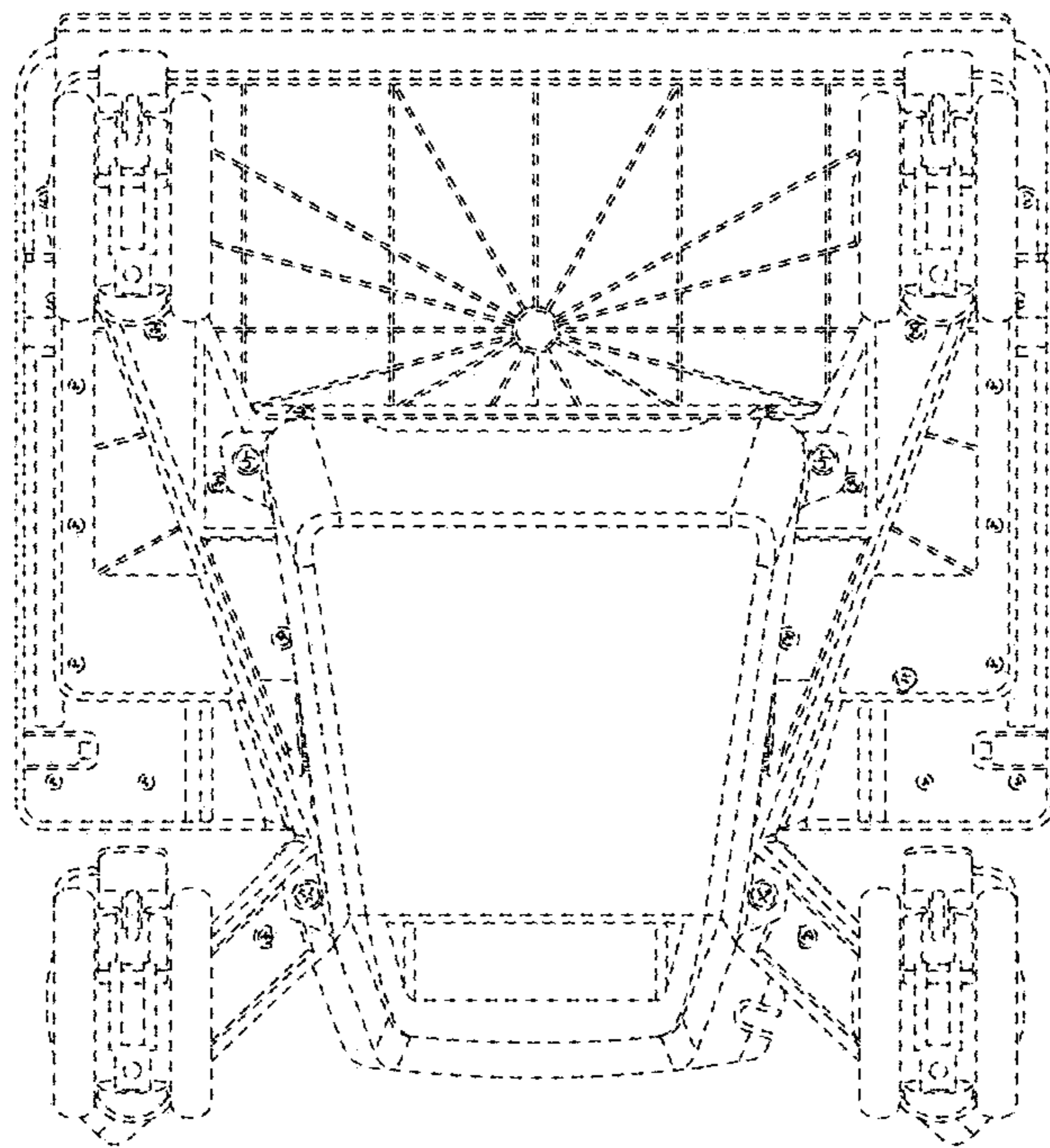


FIG. 7