



US00D908302S

(12) **United States Design Patent** (10) **Patent No.:** **US D908,302 S**
Shi (45) **Date of Patent:** **** Jan. 19, 2021**

(54) **SHOPPING CART**

(71) Applicants: **CHANGSHA SEKEY ELECTRONIC COMMERCE CO., LTD.**, Changsha (CN); **YONGKANG RUNHENG MACHINERY CO., LTD.**, Yongkang (CN)

(72) Inventor: **Gang Shi**, Changsha (CN)

(73) Assignees: **CHANGSHA SEKEY ELECTRONIC COMMERCE CO., LTD.**, Changsha (CN); **YONGKANG RUNHENG MACHINERY CO., LTD.**, Yongkang (CN)

(**) Term: **15 Years**

(21) Appl. No.: **29/684,613**

(22) Filed: **Mar. 22, 2019**

(51) **LOC (13) Cl.** **12-02**

(52) **U.S. Cl.**
USPC **D34/12; D21/425**

(58) **Field of Classification Search**
USPC **D34/12-27; D21/425**
CPC **B62B 1/12; B62B 1/20; B62B 2206/02; B62B 5/06; B62B 5/067**
See application file for complete search history.

(56) **References Cited**

U.S. PATENT DOCUMENTS

D748,739 S * 2/2016 Horowitz D21/425
D827,722 S * 9/2018 Sun D21/425
D861,278 S * 9/2019 Pang B62B 3/001
D34/12
10,399,586 B1 * 9/2019 Huang B62B 3/003

D877,442 S * 3/2020 Ohirko D34/17
D880,799 S * 4/2020 Pang D34/12
10,633,010 B1 * 4/2020 Zhang B62B 3/025
D893,637 S * 8/2020 Ma D21/425
D893,822 S * 8/2020 Ohirko D34/17
2018/0327011 A1 * 11/2018 Horowitz B62B 5/065
2020/0255046 A1 * 8/2020 Bowman B62B 3/007

OTHER PUBLICATIONS

Google search Aug. 25, 2020, Qingdao Toregal Furnishing Co LTD, Garden Tools Usage and Structure Frame Carts Folding Wagon, <https://chiavarichair.en.made-in-china.com/product/hKnmXaAHYSrj/China-Garden-Tools-Usage-and-Structure-Frame-Carts-Folding-Wagon.html> (Year: 2020).*

* cited by examiner

Primary Examiner — Cynthia Ramirez

(74) *Attorney, Agent, or Firm* — ScienBiziP, P.C.

(57) **CLAIM**

The ornamental design for a shopping cart, as shown and described.

DESCRIPTION

FIG. 1 is a first perspective view of a shopping cart showing my new design;

FIG. 2 is a second perspective view thereof;

FIG. 3 is a front elevational view thereof;

FIG. 4 is a rear elevational view thereof;

FIG. 5 is a left side elevational view thereof;

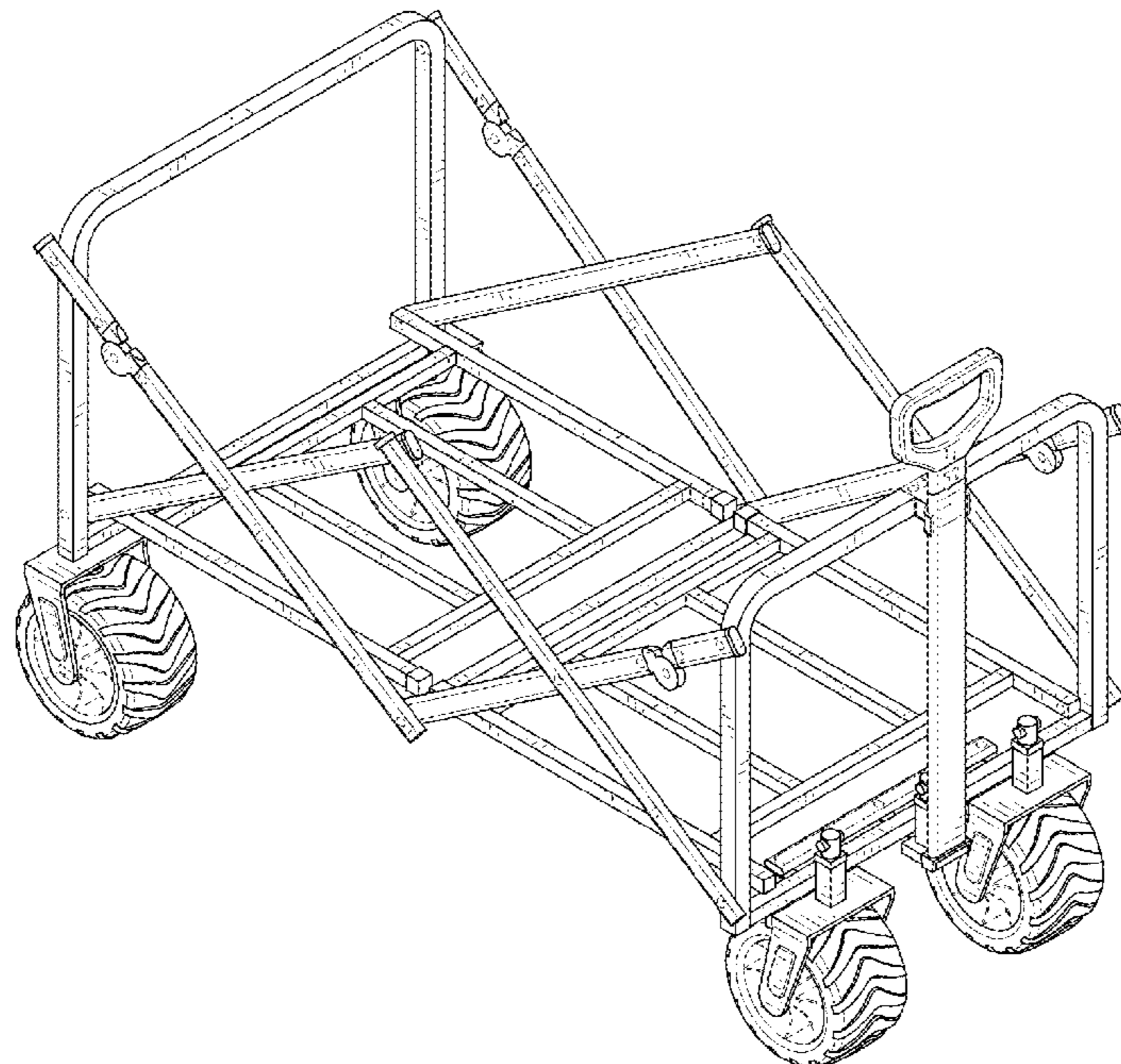
FIG. 6 is a right side elevational view thereof;

FIG. 7 is a top plan view thereof; and,

FIG. 8 is a bottom plan view thereof.

The broken lines shown in the Figures are for the purpose of illustrating portions of the shopping cart and form no part of the claimed design.

1 Claim, 8 Drawing Sheets



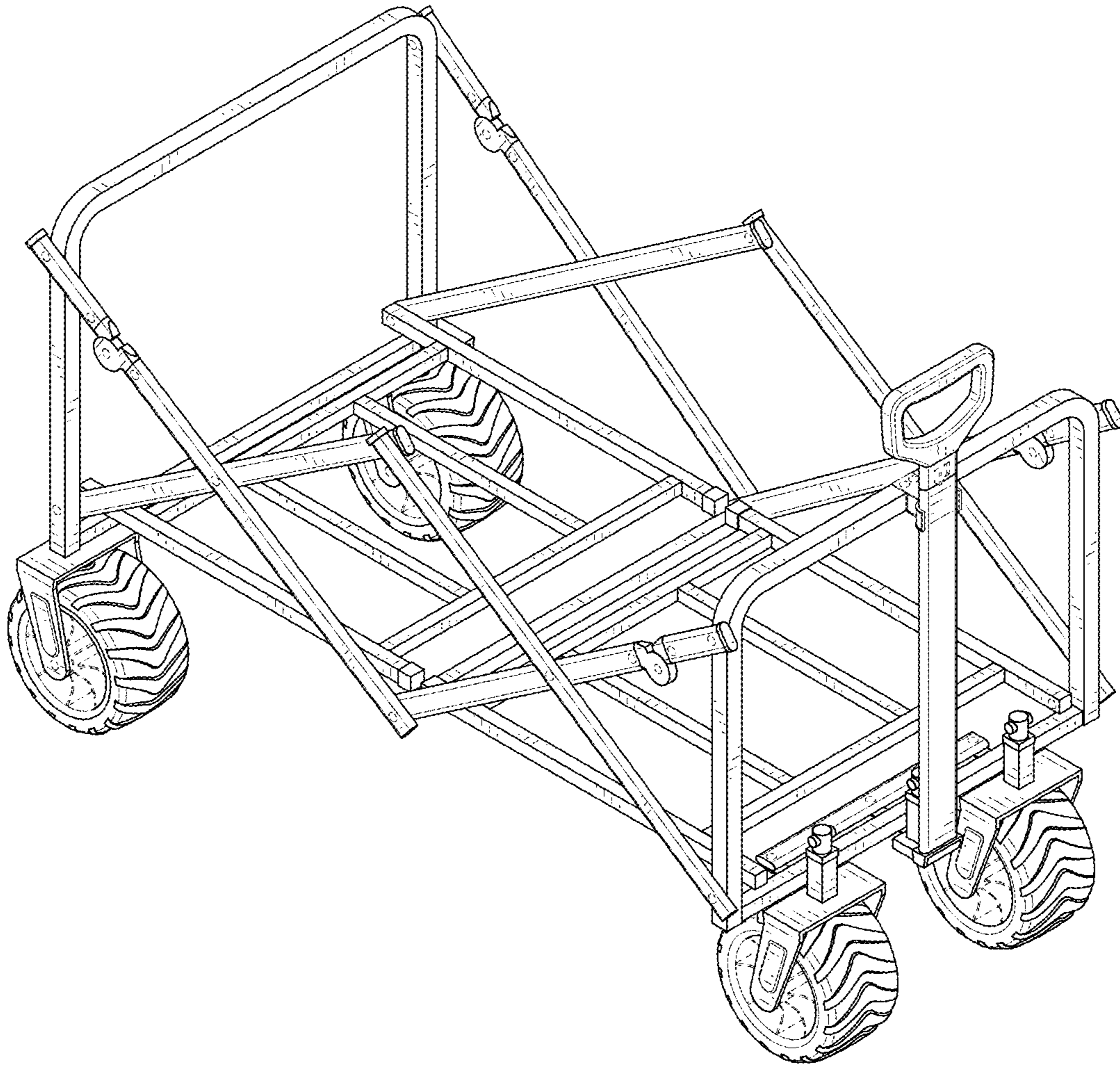


FIG. 1

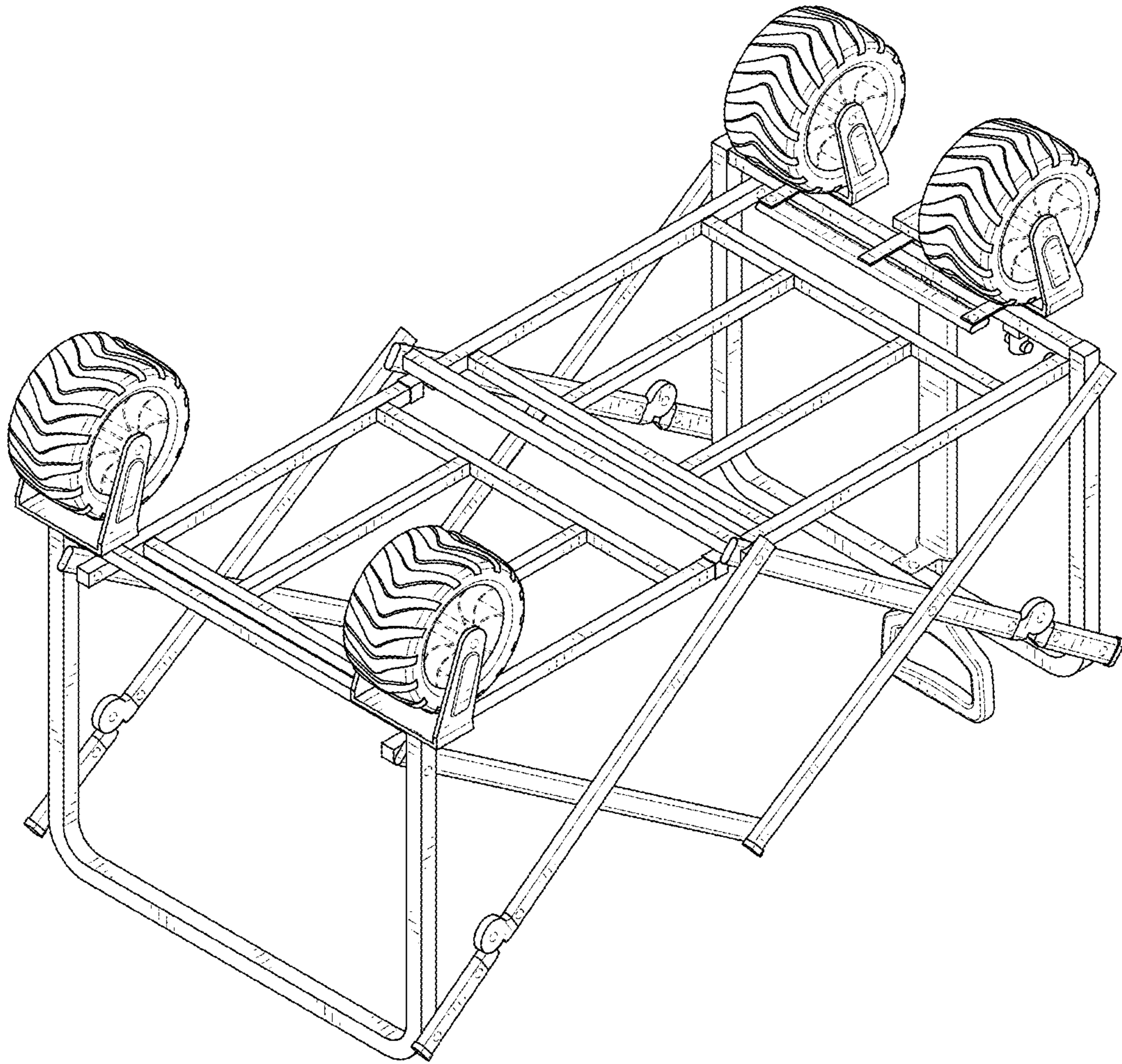


FIG. 2

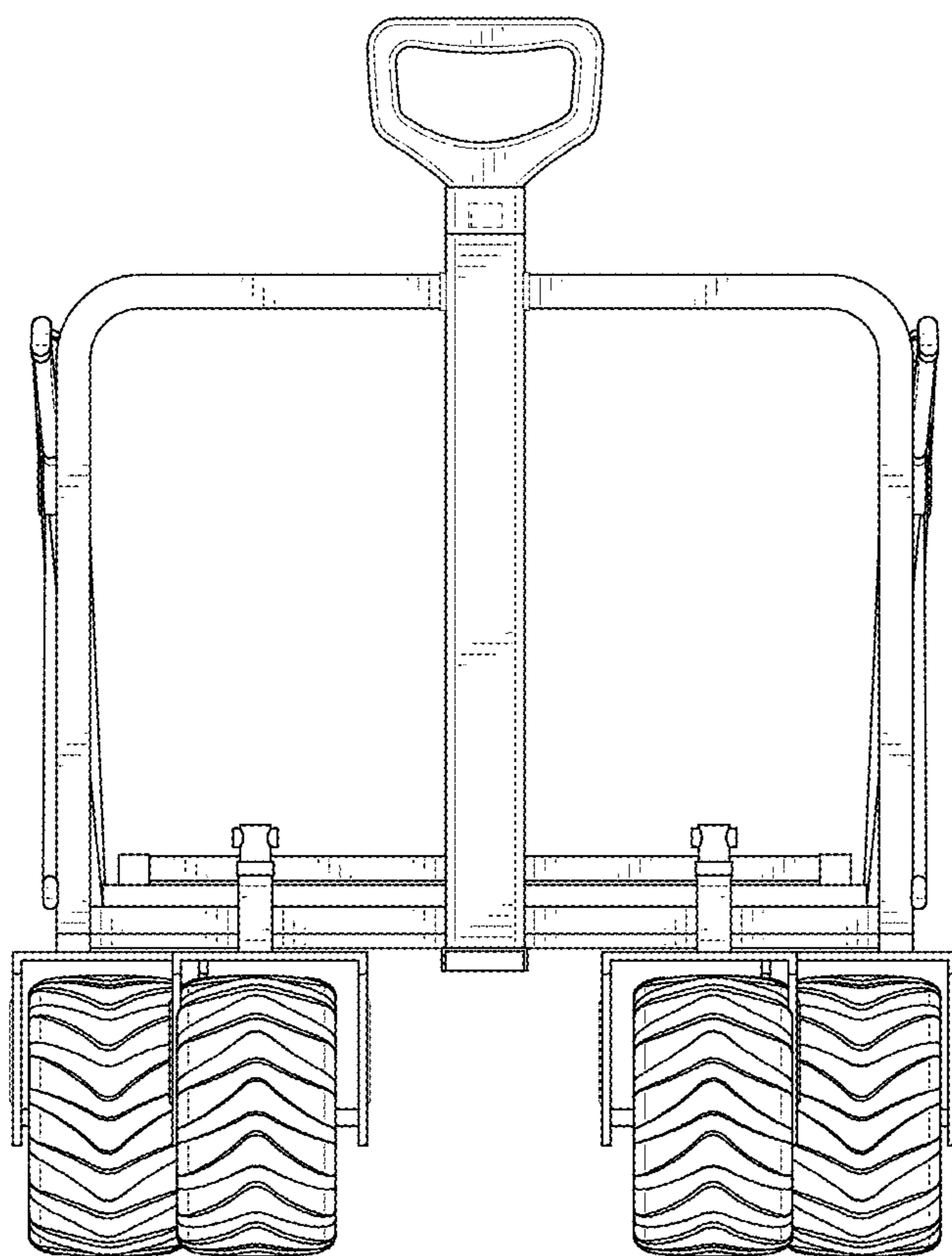


FIG. 3

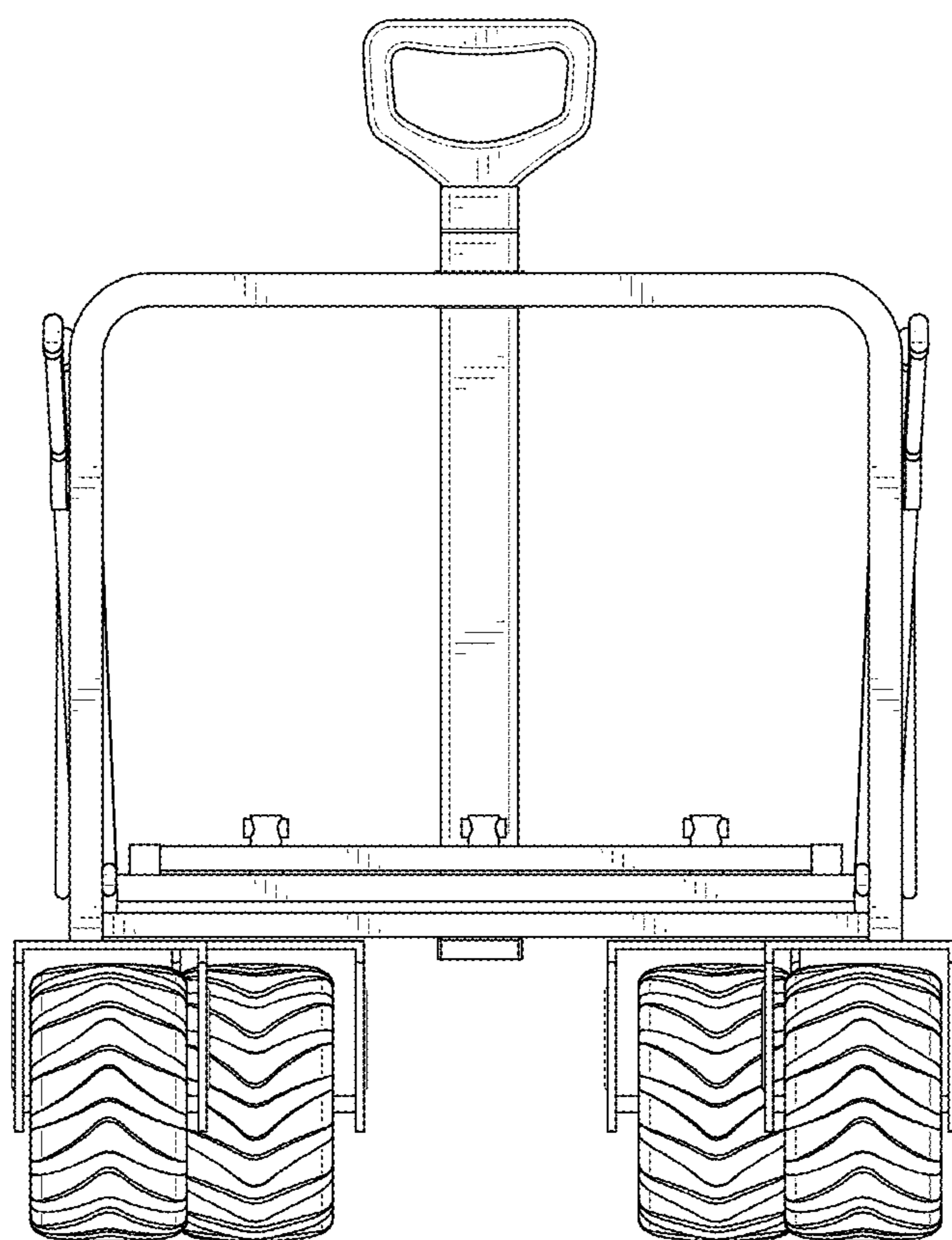


FIG. 4

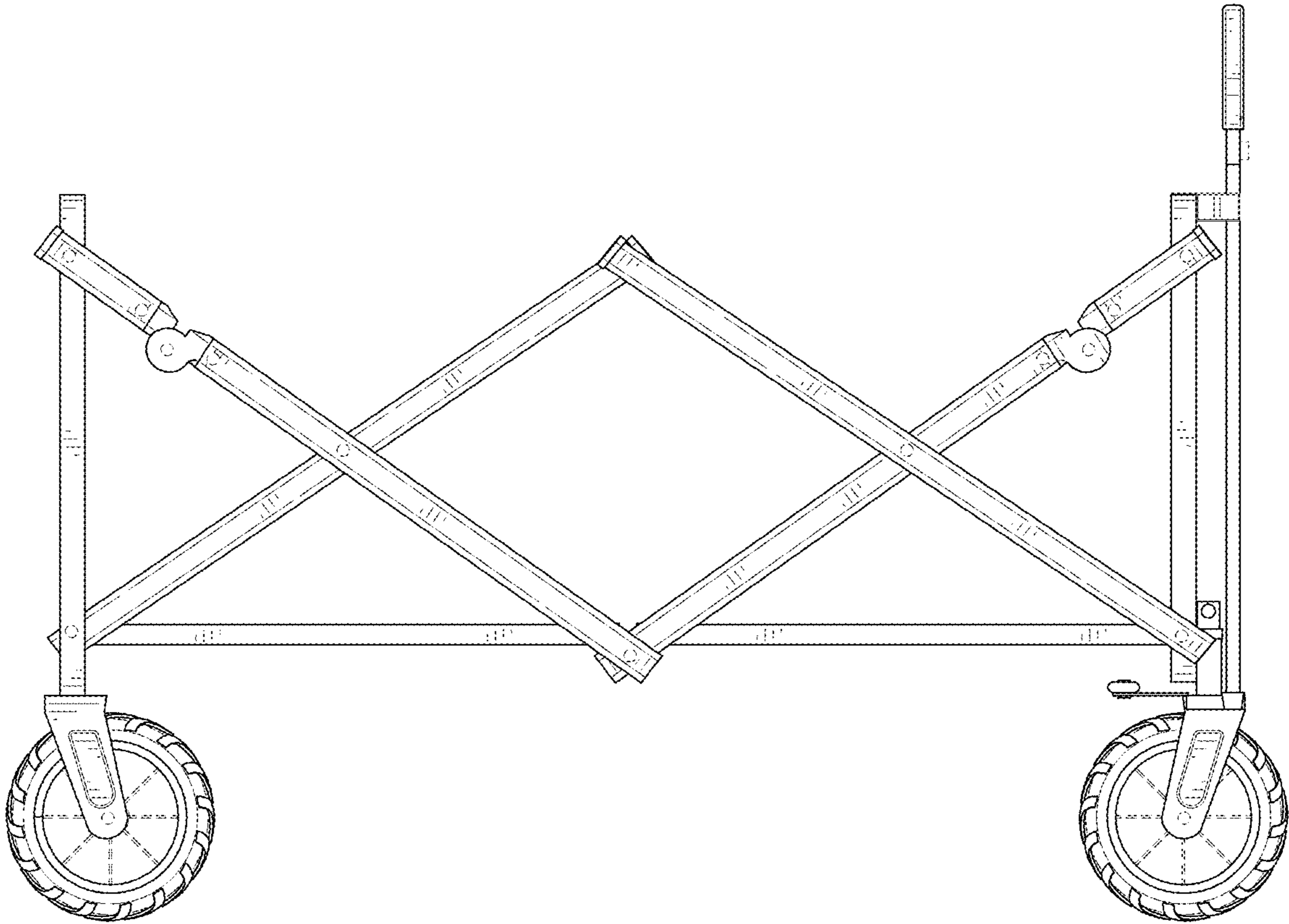


FIG. 5

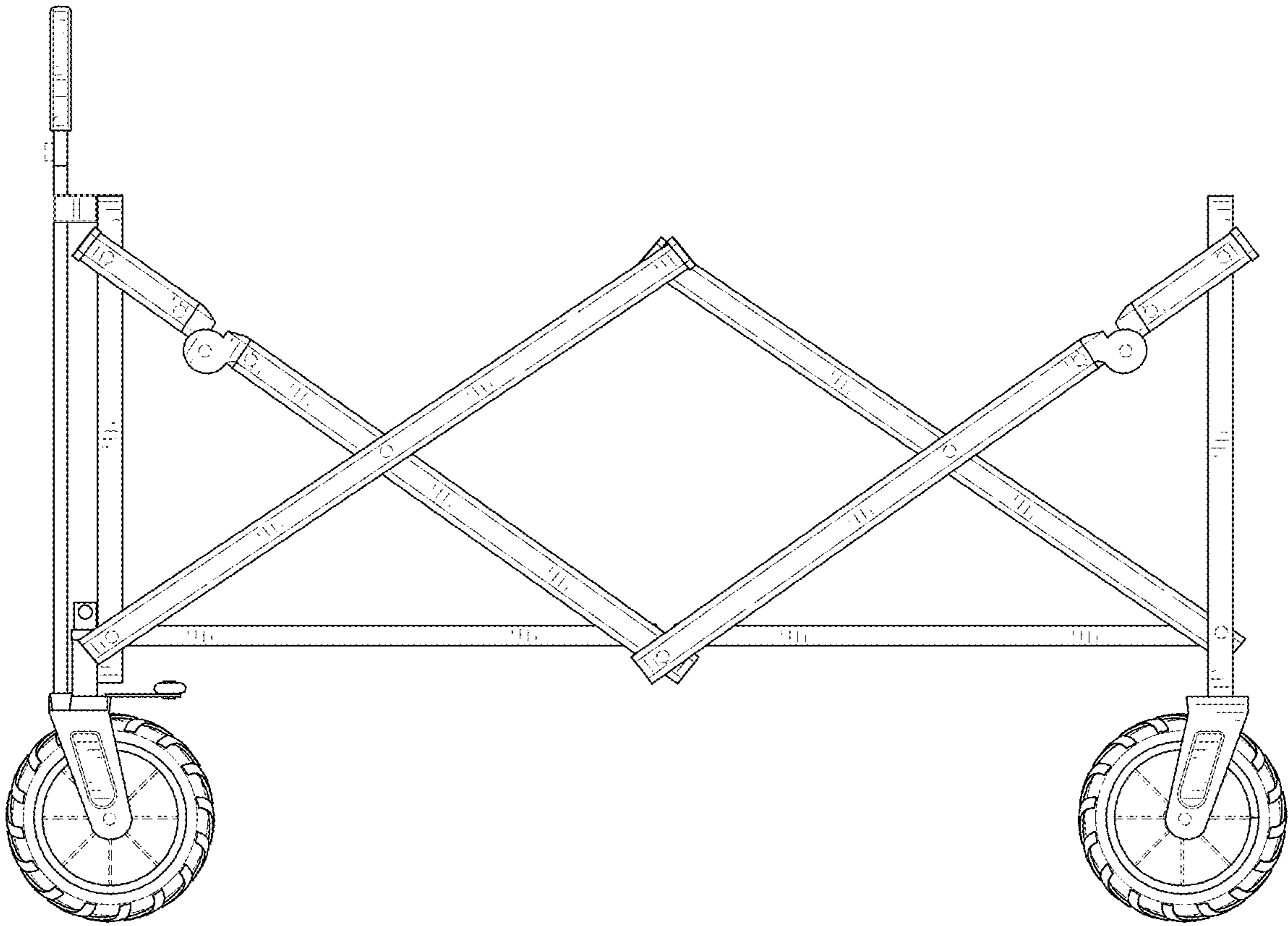


FIG. 6

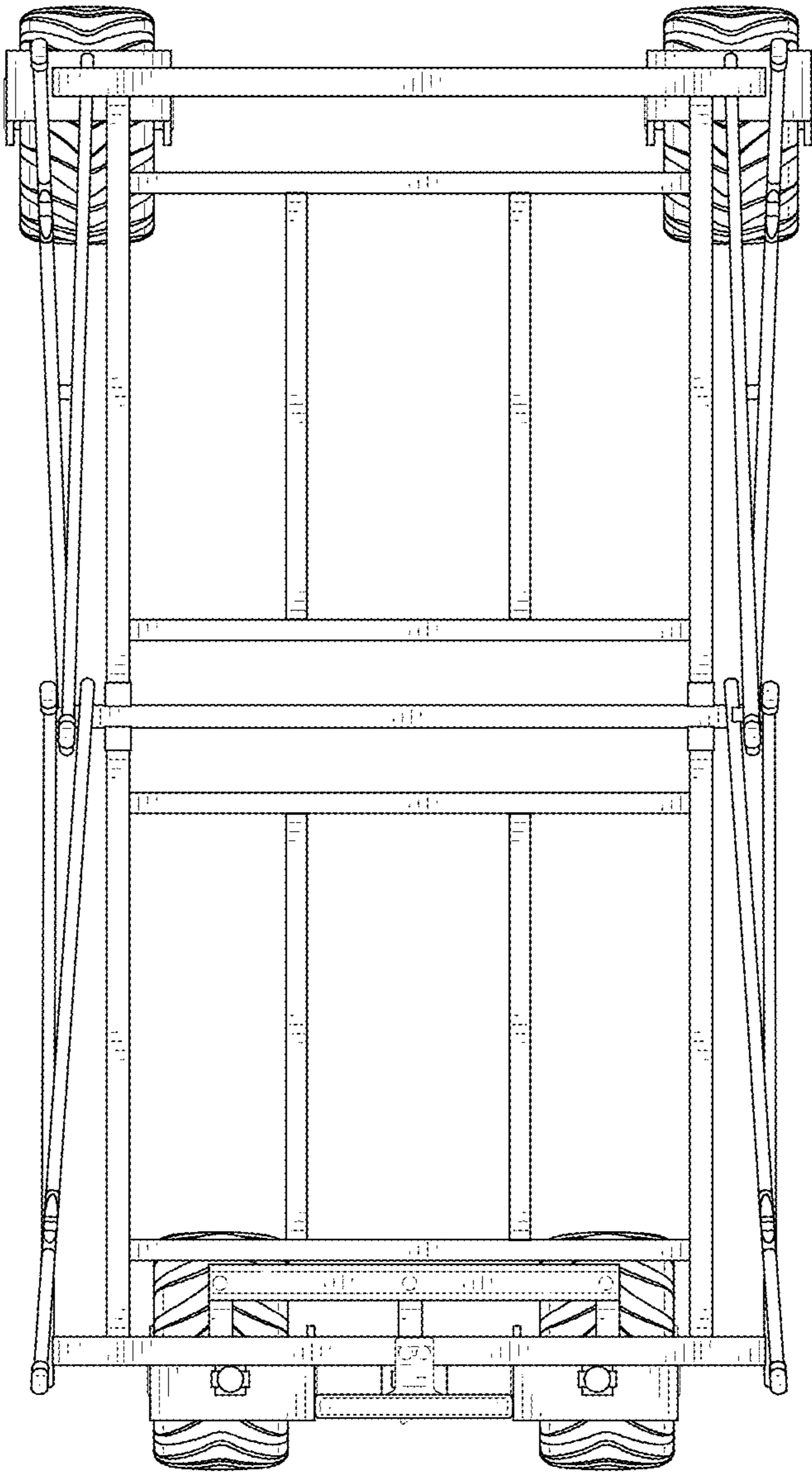


FIG. 7

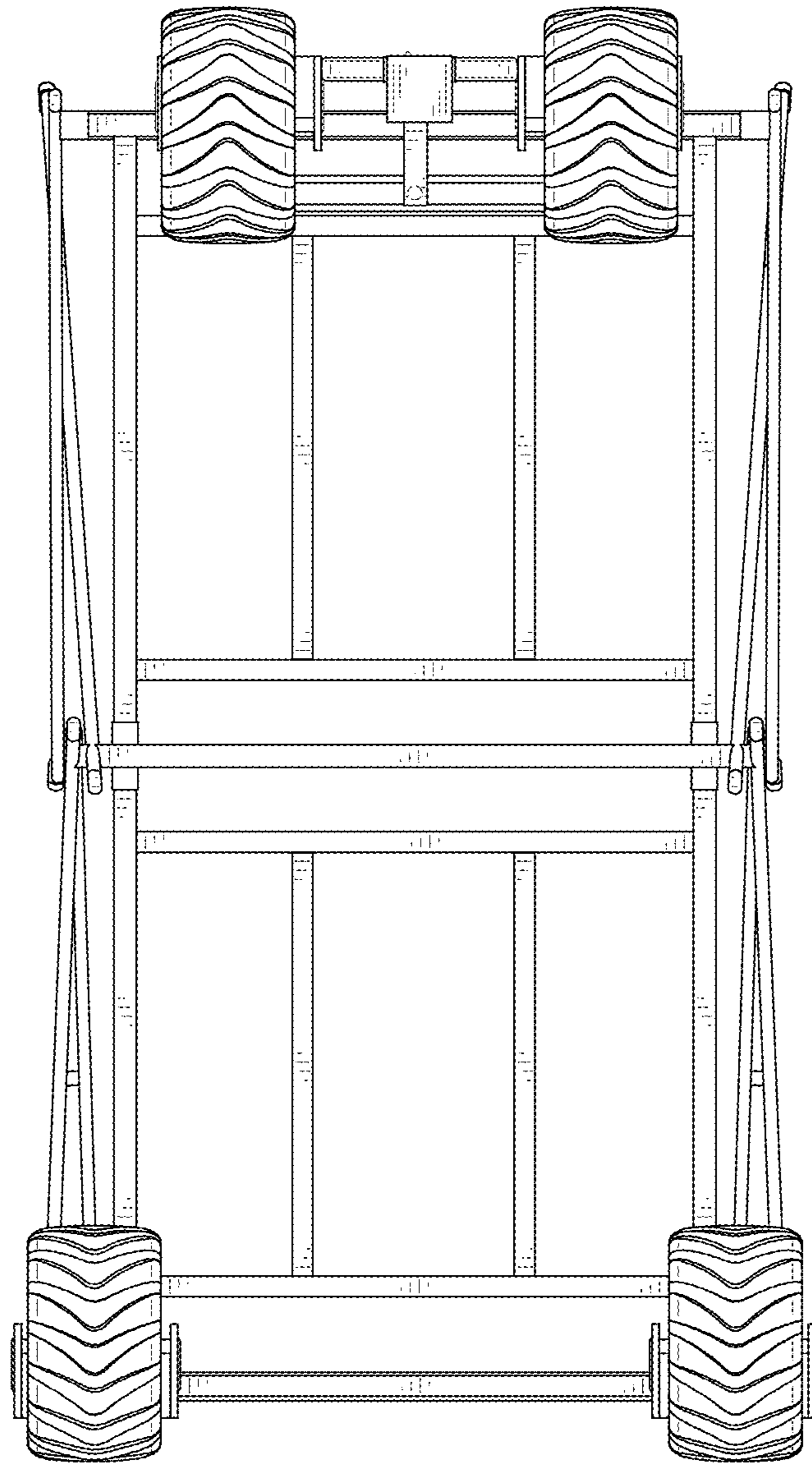


FIG. 8