



US00D908301S

(12) **United States Design Patent**
Chang et al.

(10) **Patent No.:** **US D908,301 S**
(45) **Date of Patent:** **** Jan. 19, 2021**

(54) **WASTE RECEPTACLE WITH LID**

(71) Applicant: **Cepheid**, Sunnyvale, CA (US)

(72) Inventors: **Ronald Chang**, Redwood City, CA (US); **Steven M. Montgomery**, Los Angeles, CA (US); **Gregory Mote**, Sunnyvale, CA (US); **Brian Bliven**, San Jose, CA (US); **Paul Jordan**, Sunnyvale, CA (US)

(73) Assignee: **Cepheid**, Sunnyvale, CA (US)

(**) Term: **15 Years**

(21) Appl. No.: **29/647,904**

(22) Filed: **May 16, 2018**

Related U.S. Application Data

(63) Continuation of application No. 15/816,960, filed on Nov. 17, 2017.

(51) **LOC (13) Cl.** **09-09**

(52) **U.S. Cl.**
USPC **D34/7**

(58) **Field of Classification Search**
USPC D34/1, 5, 6, 7, 8, 9, 10, 11; D32/53
(Continued)

(56) **References Cited**

U.S. PATENT DOCUMENTS

D421,168 S * 2/2000 France D34/1
D573,768 S * 7/2008 Tuncel D34/17
(Continued)

Primary Examiner — Gino Colan

(74) *Attorney, Agent, or Firm* — Kilpatrick Townsend & Stockton LLP

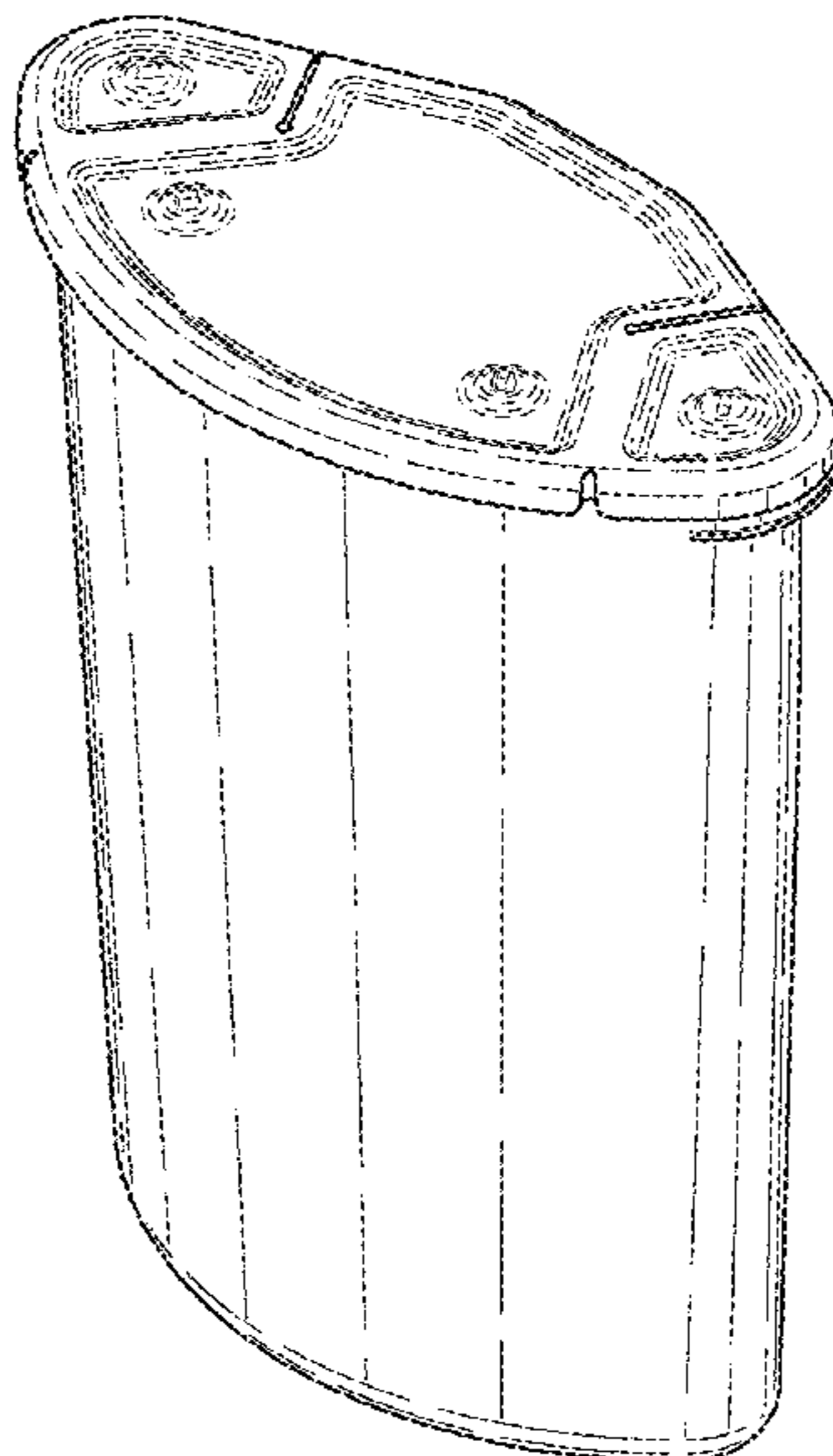
(57) **CLAIM**

The ornamental design for a waste receptacle with lid, as shown and described.

DESCRIPTION

FIG. 1 is a front perspective view of a waste receptacle with lid showing our new design;
FIG. 2 is a rear perspective view thereof;
FIG. 3 is an exploded front perspective view thereof;
FIG. 4 is an exploded rear perspective view thereof;
FIG. 5 is a top view of the waste receptacle with lid;
FIG. 6 is a cross-section view of the waste receptacle with lid of FIG. 5;
FIG. 7 is a bottom view of the waste receptacle with lid;
FIG. 8 is a front elevational view of the waste receptacle with lid;
FIG. 9 is a rear elevational view of the waste receptacle with lid;
FIG. 10 is a right side elevational view of the waste receptacle with lid;
FIG. 11 is a left side elevational view of the waste receptacle with lid;
FIG. 12 is a top plan view of the waste receptacle with lid;
FIG. 13 is a bottom plan view of the waste receptacle with lid;
FIG. 14 is a front elevational view of the waste receptacle with lid;
FIG. 15 is a rear elevational view of the waste receptacle with lid;
FIG. 16 is a right side elevational view of the waste receptacle with lid;
FIG. 17 is a left side elevational view of the waste receptacle with lid; and,
FIG. 18 is a front perspective view of the waste receptacle with lid in an environment of an assay processing system. The broken lines shown in the figures are for the purpose of illustrating portions of the waste receptacle with lid and form no part of the claimed design. The broken lines showing an assay processing system in FIG. 18 are for the purpose of illustrating environment and form no part of the claimed design.

1 Claim, 18 Drawing Sheets



(58) **Field of Classification Search**

CPC B65F 2250/11; B65F 2250/114; B62B
2202/20; B62B 2202/028; B62B 2207/02

See application file for complete search history.

(56) **References Cited**

U.S. PATENT DOCUMENTS

D596,408 S *	7/2009	Cohen	D32/53
D659,336 S *	5/2012	Busch	D34/1
D661,449 S *	6/2012	Gardner	D34/7
D661,450 S *	6/2012	Gardner	D34/7

* cited by examiner

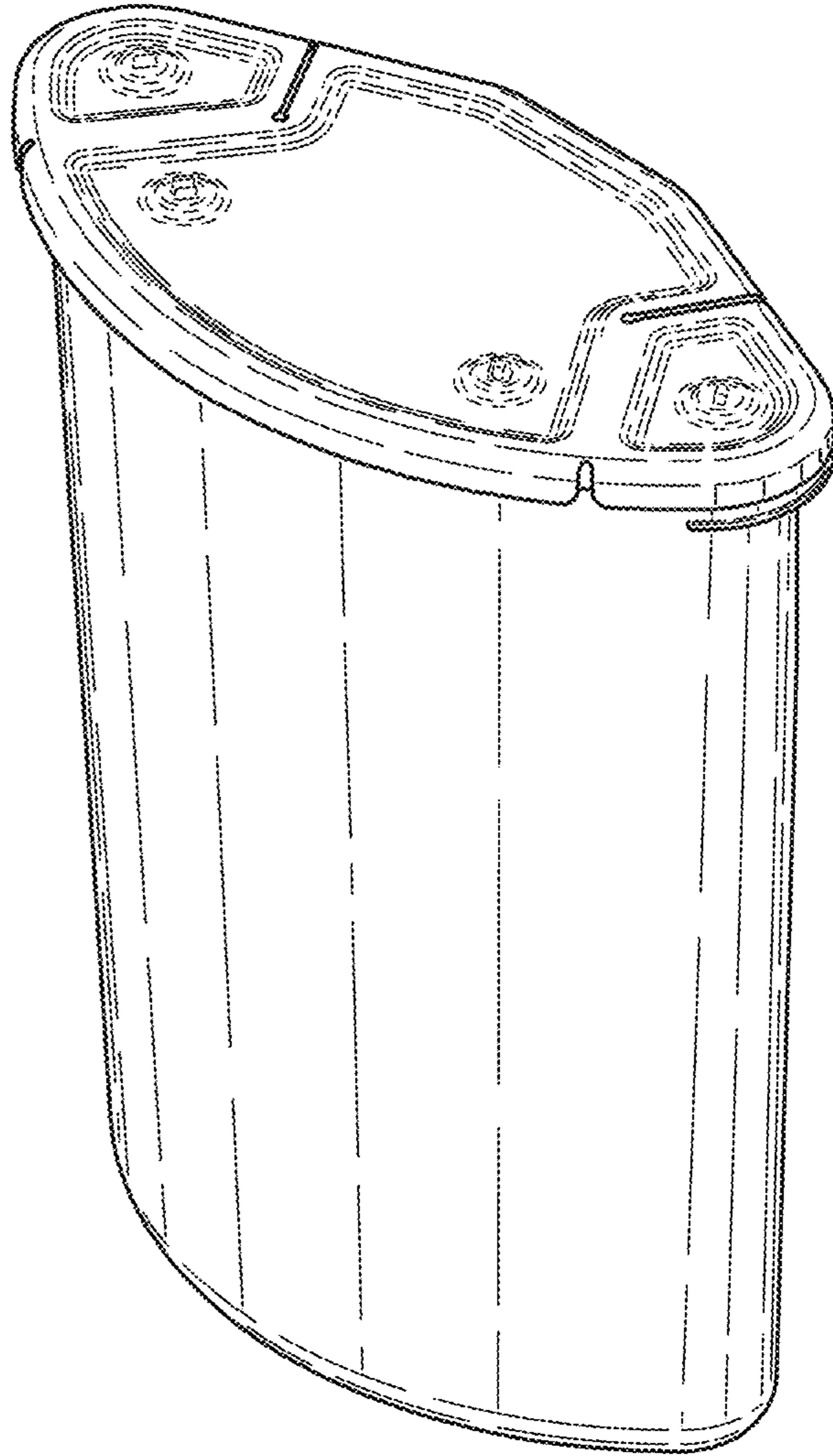


Figure 1

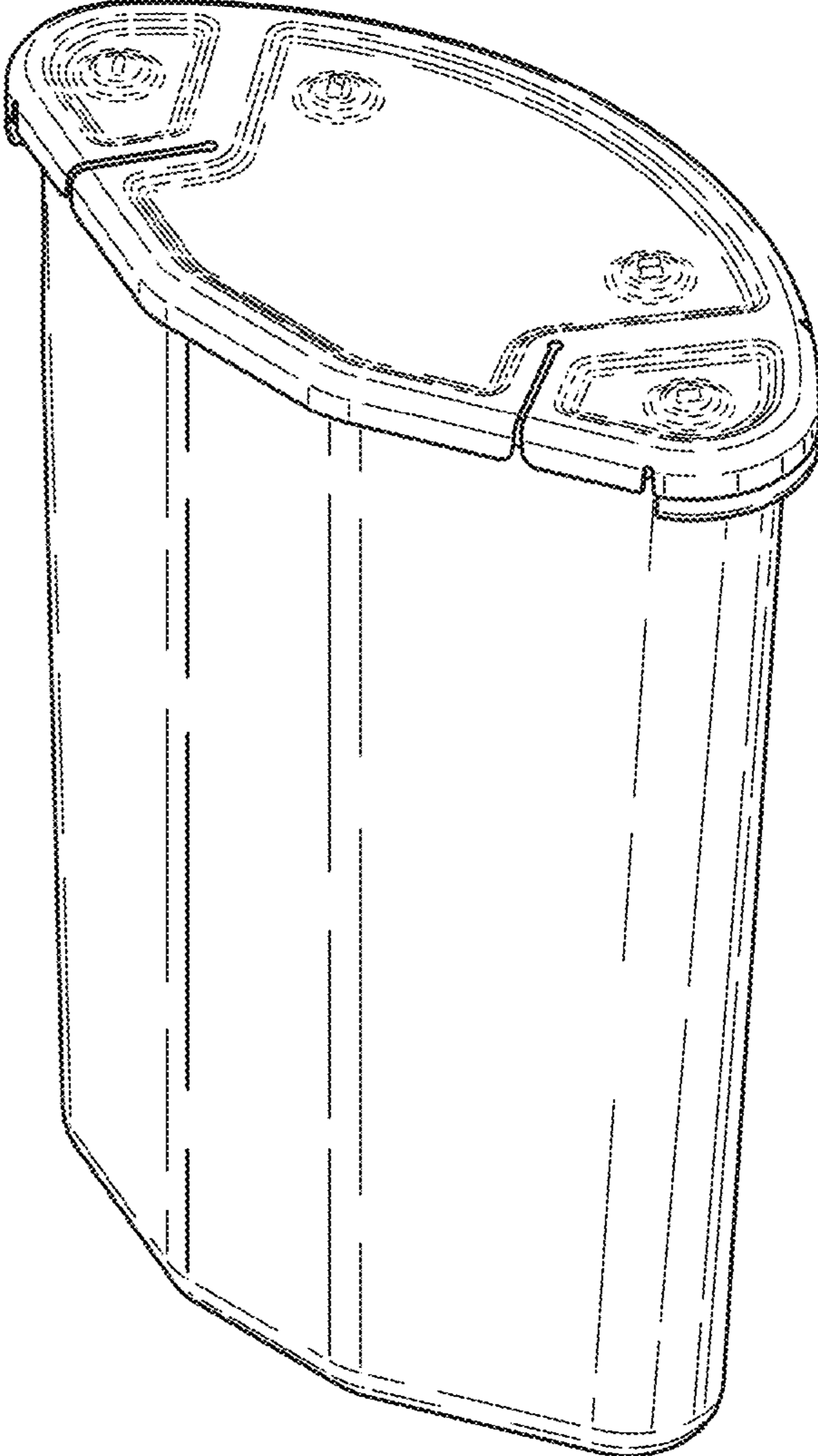


Figure 2

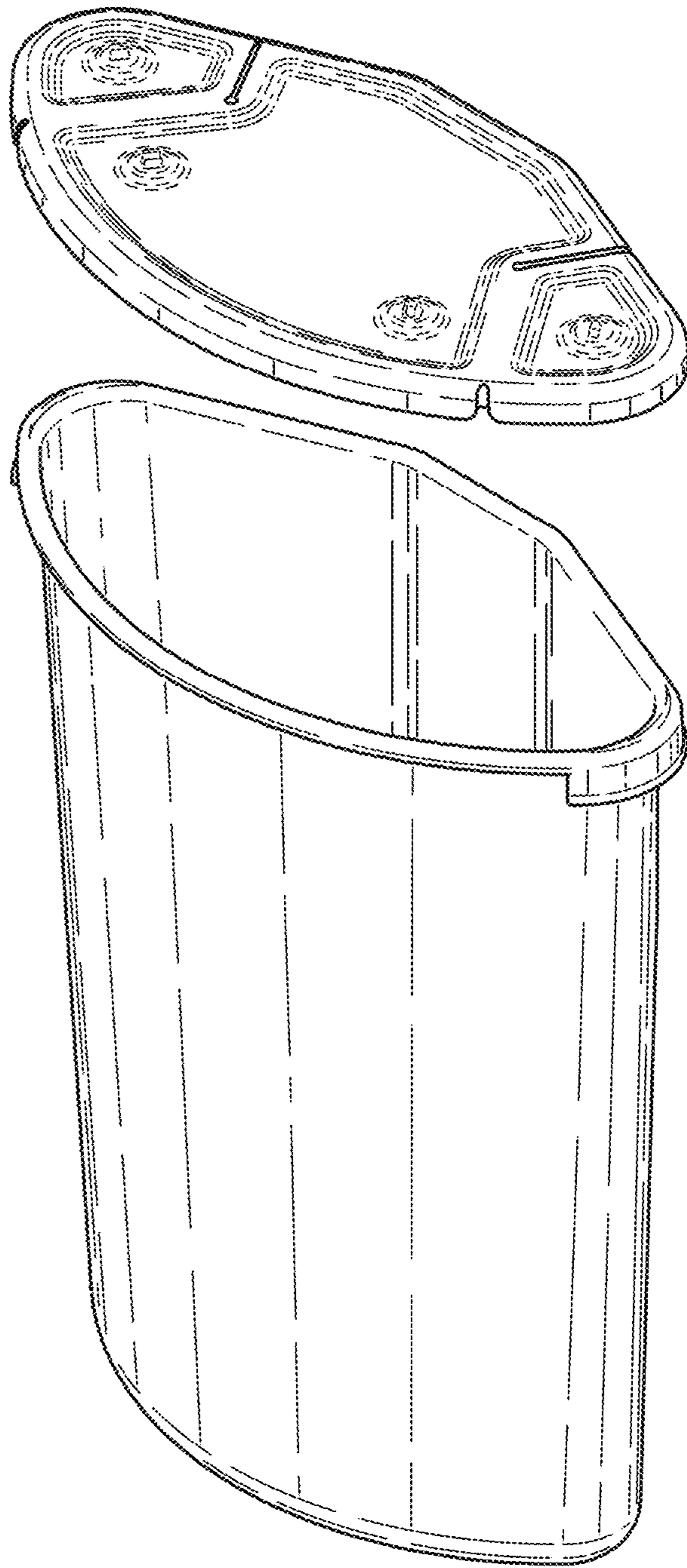


Figure 3

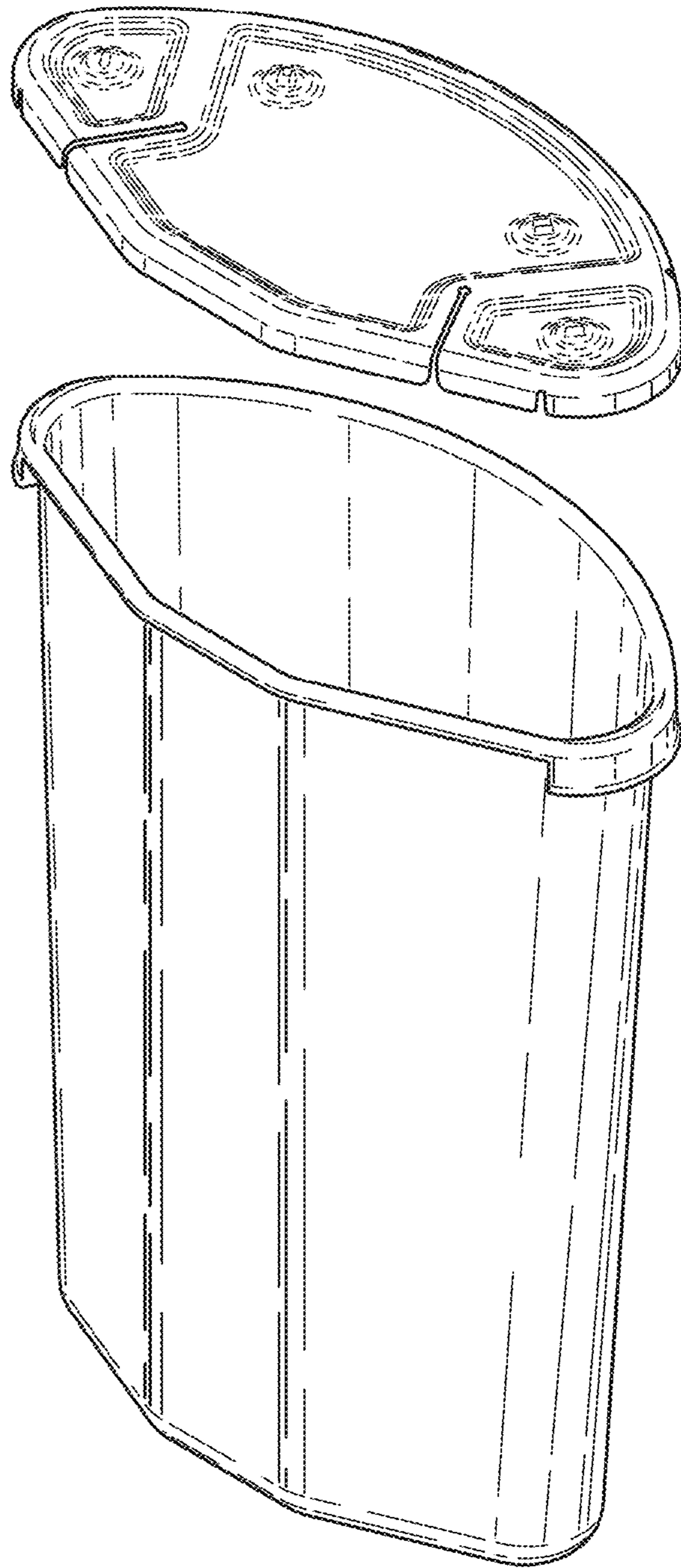


Figure 4

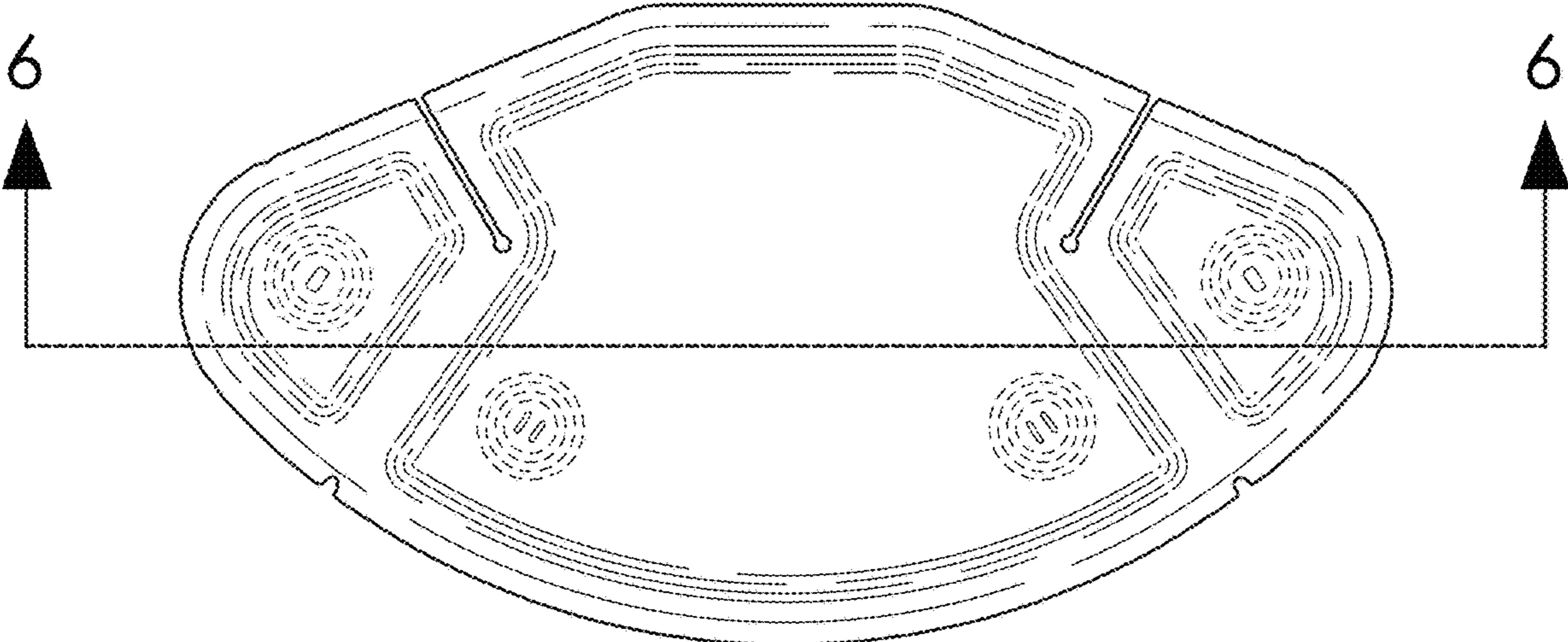


Figure 5



Section 6-6

Figure 6

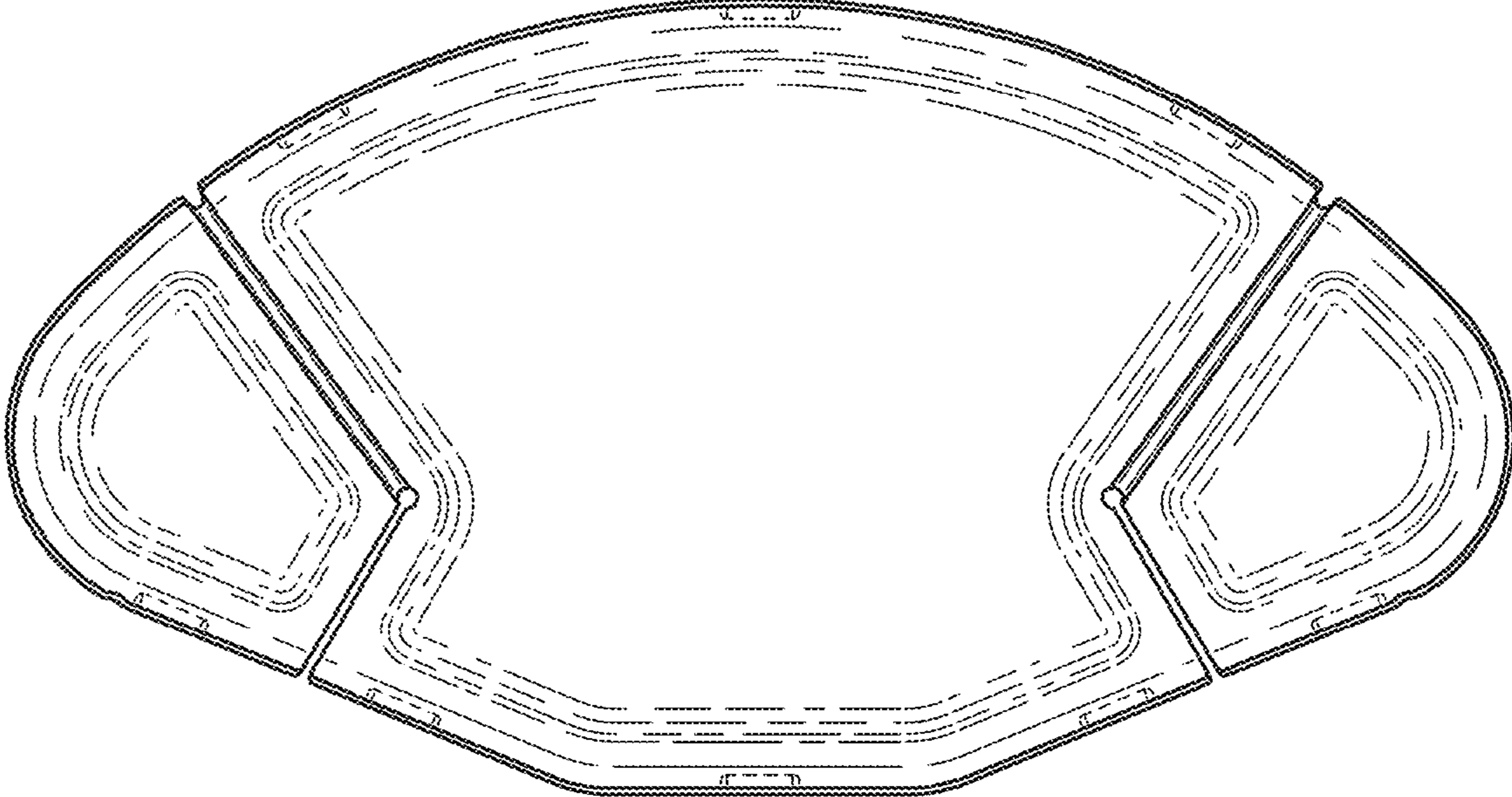


Figure 7

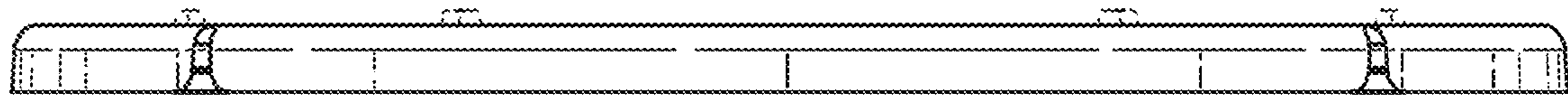


Figure 8

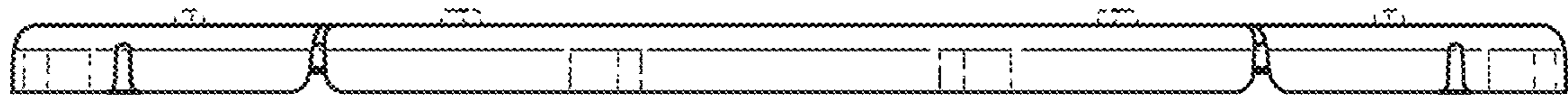


Figure 9

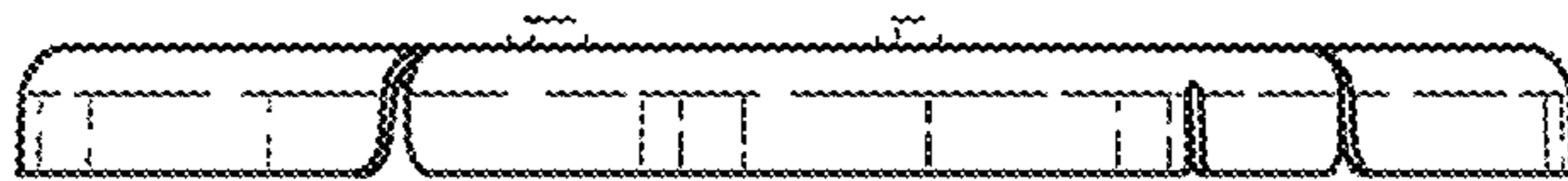


Figure 10

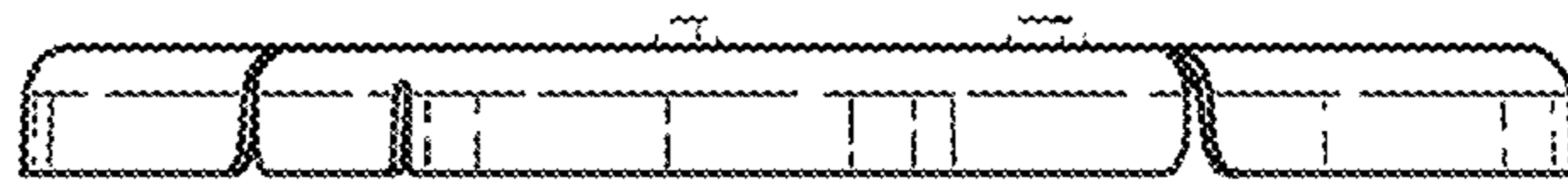


Figure 11

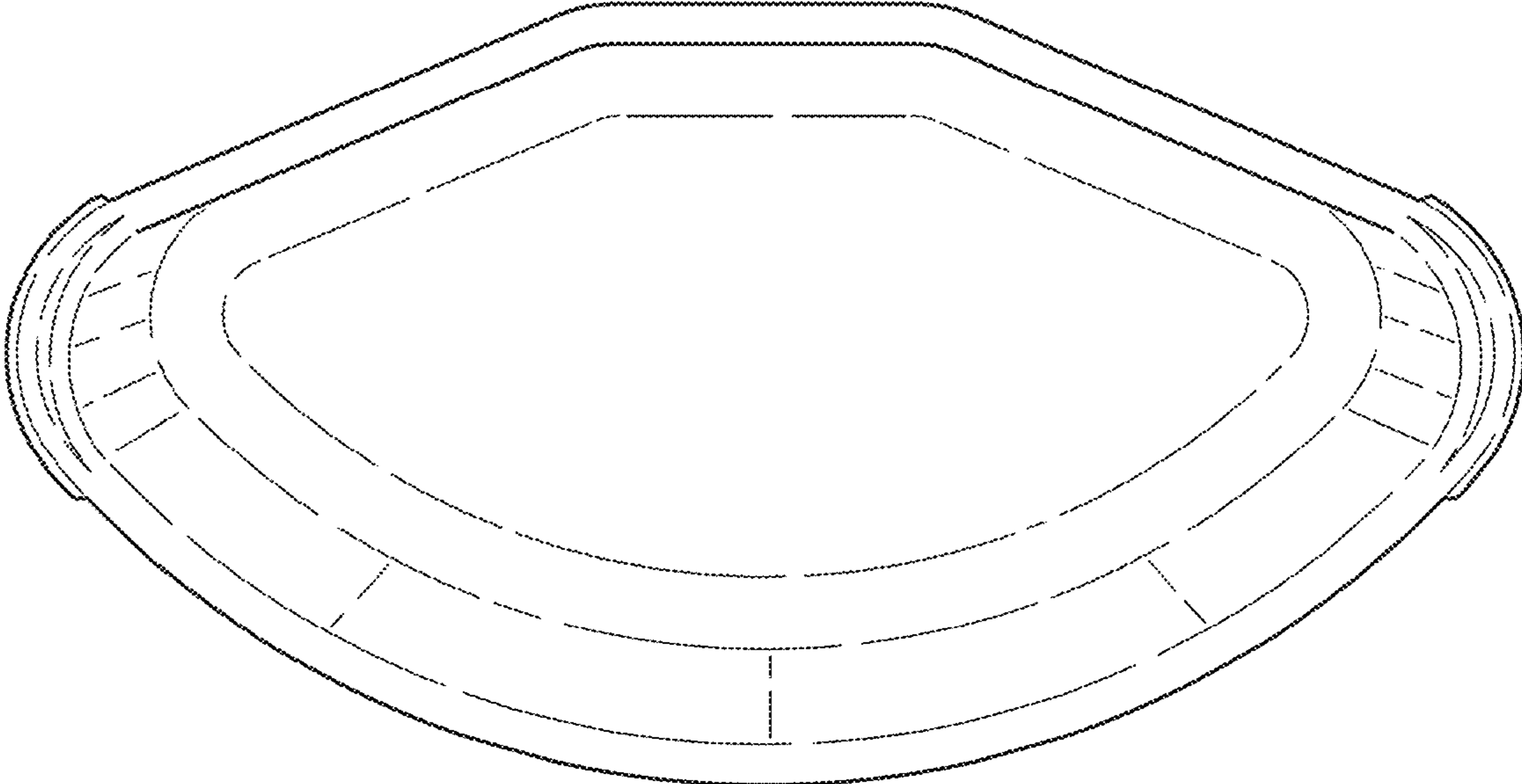


Figure 12

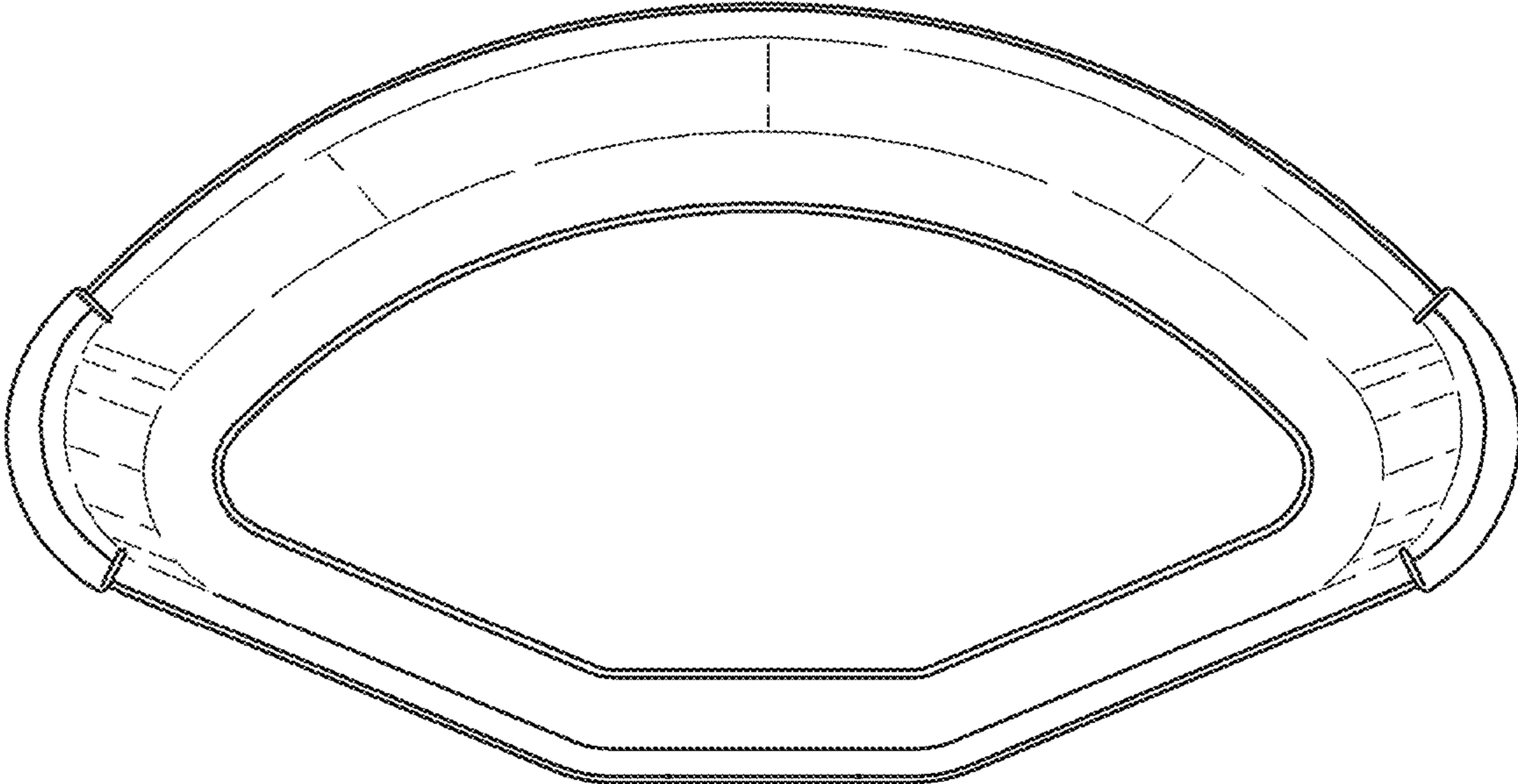


Figure 13

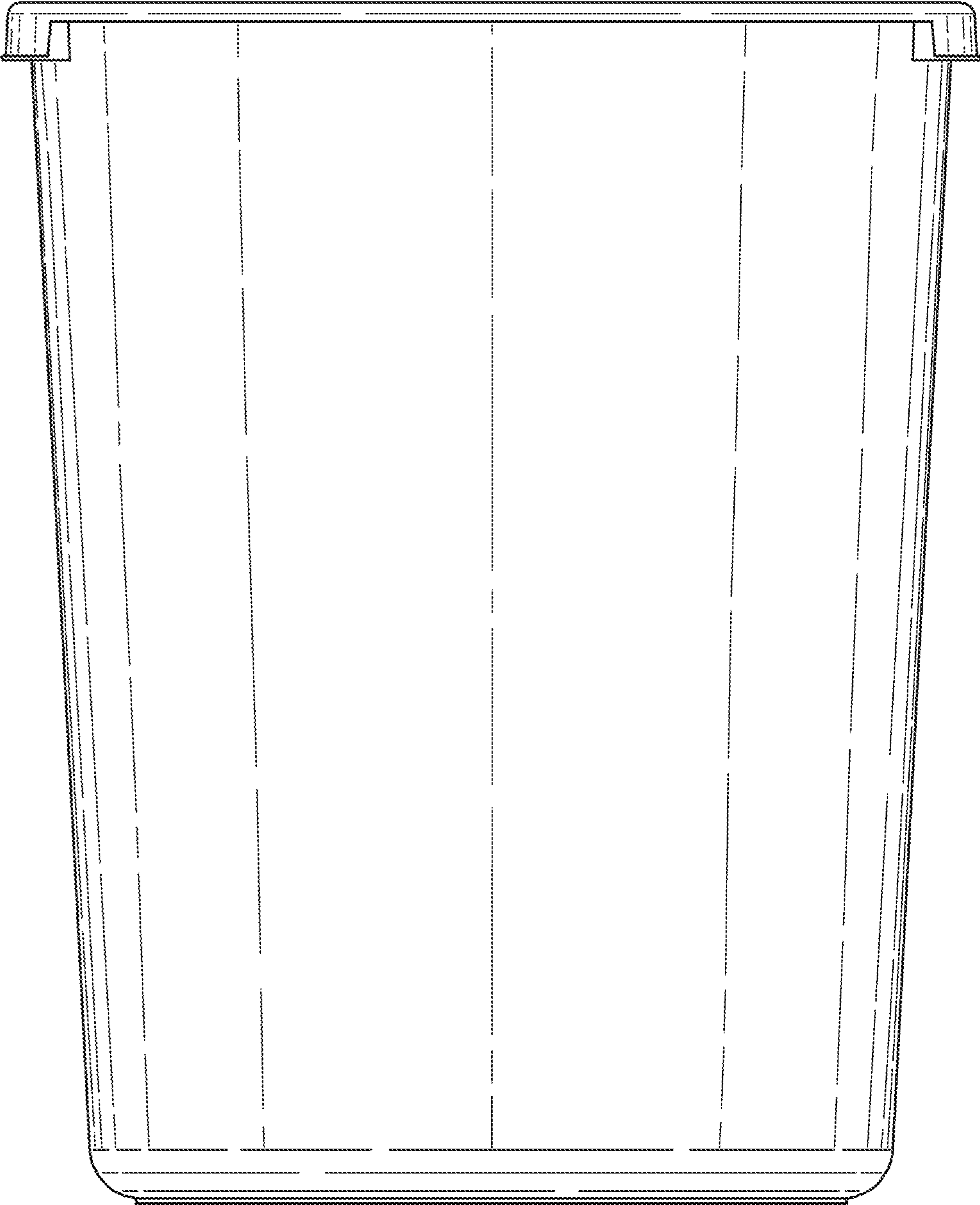


Figure 14

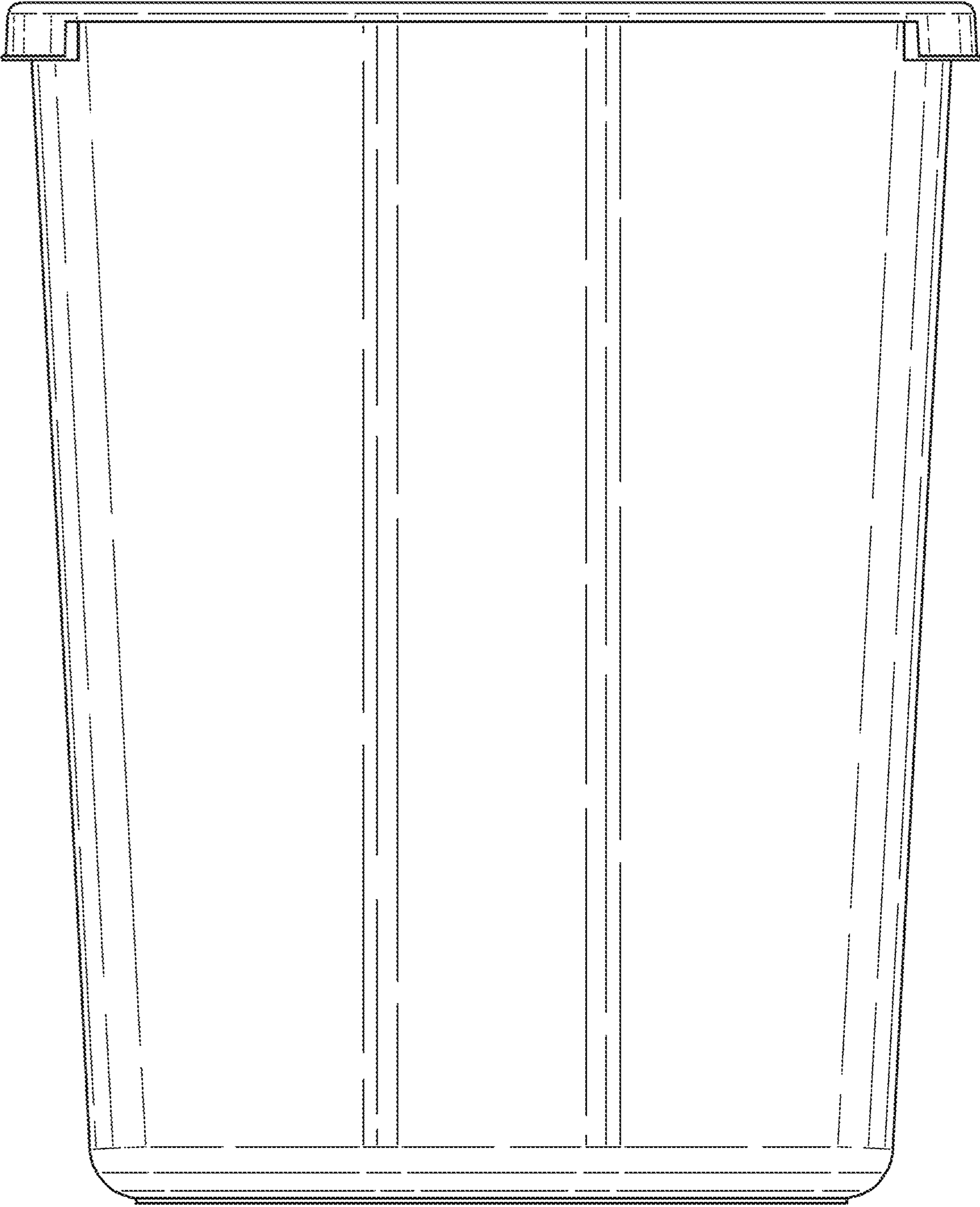


Figure 15

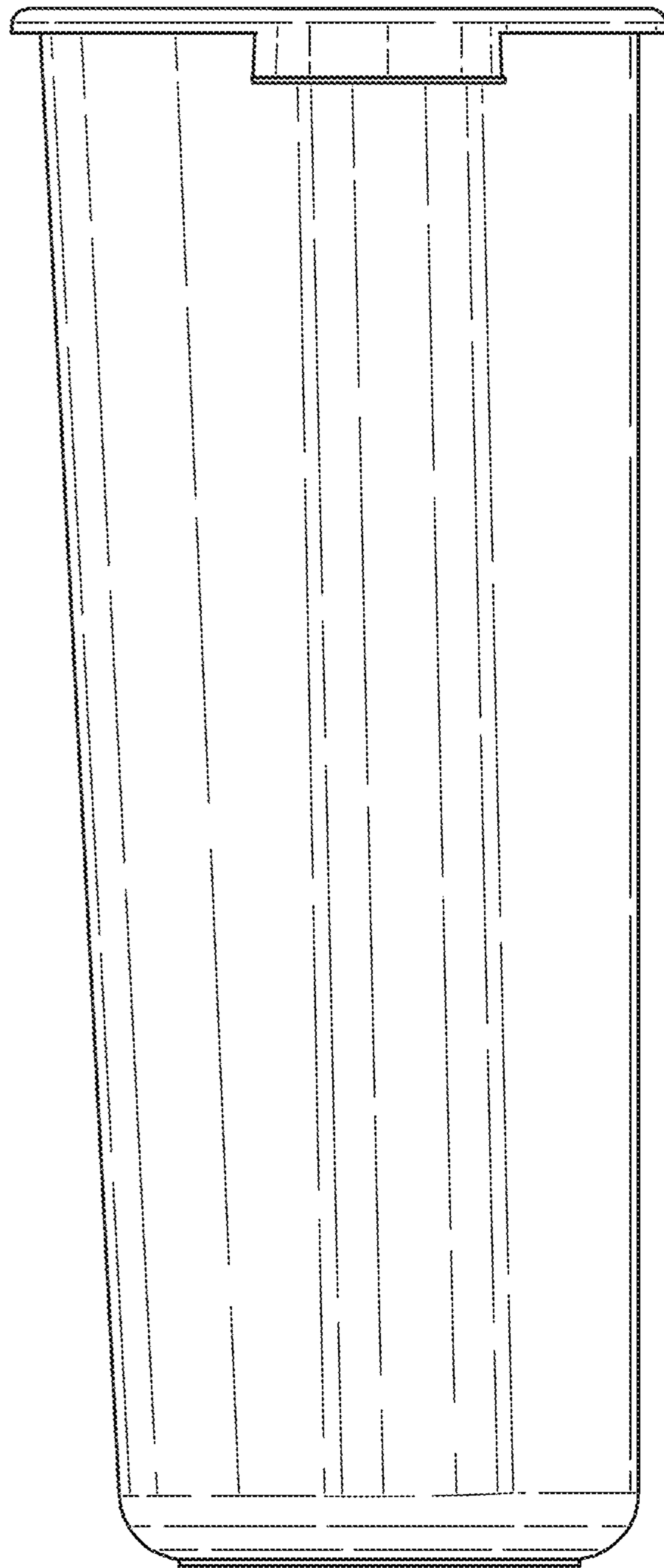


Figure 16

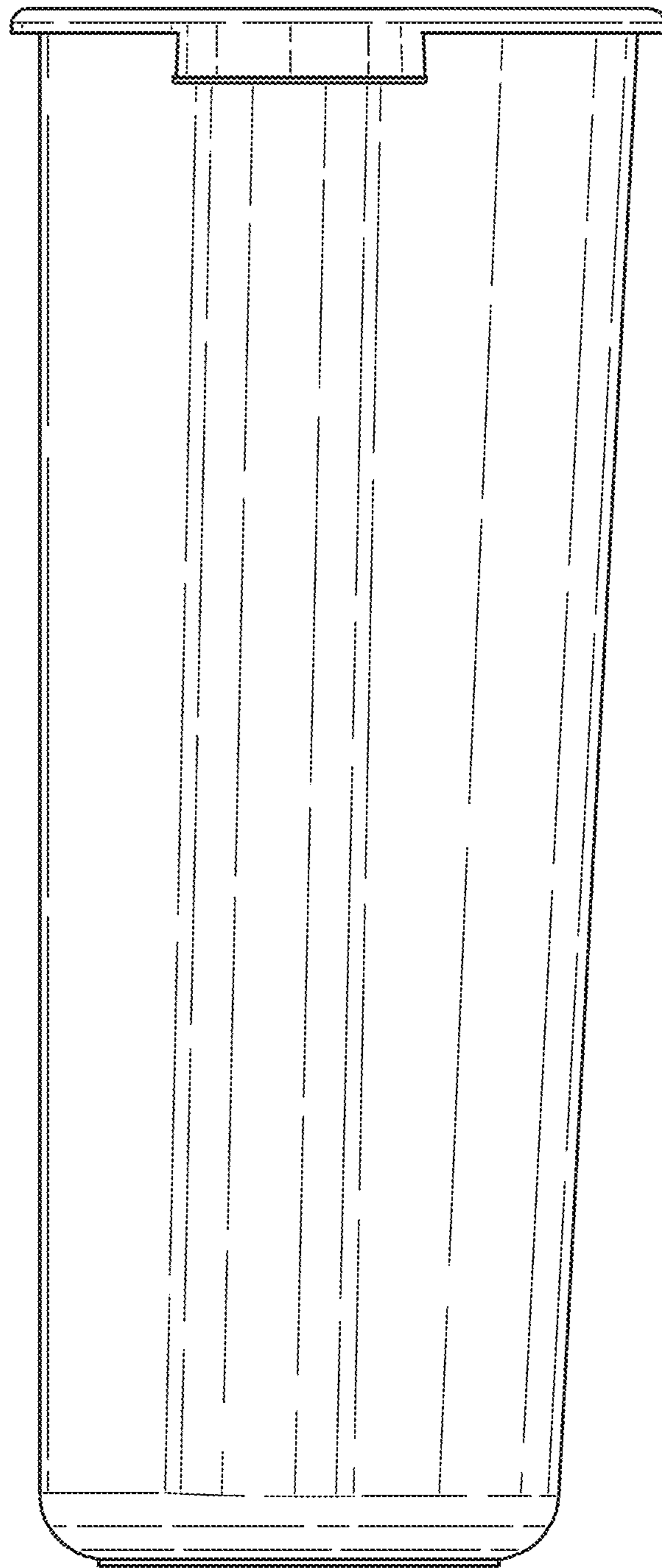


Figure 17

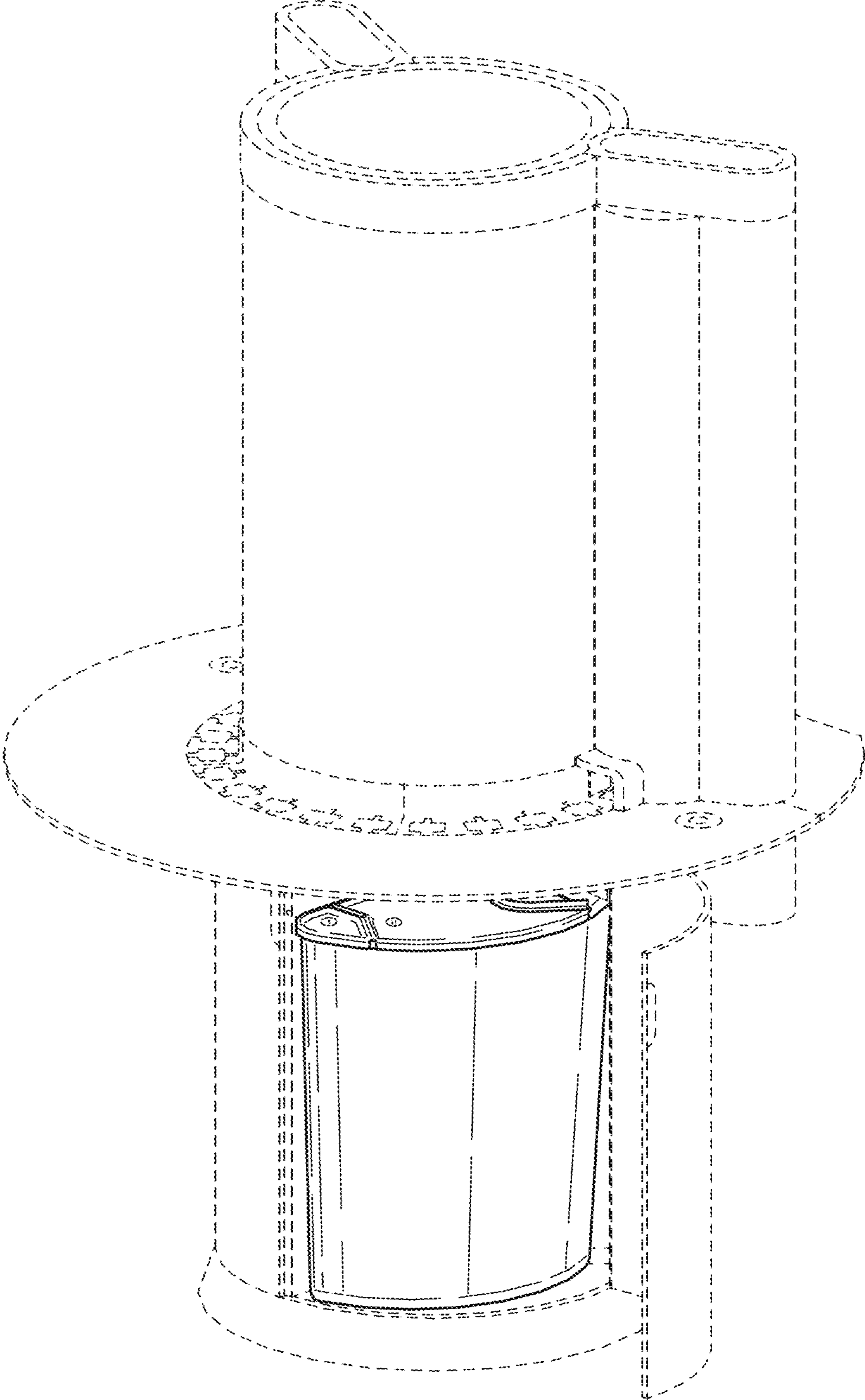


Figure 18