



US00D908300S

(12) **United States Design Patent** (10) **Patent No.:** **US D908,300 S**
Shek (45) **Date of Patent:** **** Jan. 19, 2021**

(54) **TRASH CAN**
(71) Applicant: **Michael Shek**, San Mateo, CA (US)
(72) Inventor: **Michael Shek**, San Mateo, CA (US)
(**) Term: **15 Years**
(21) Appl. No.: **29/703,227**
(22) Filed: **Aug. 26, 2019**
(51) **LOC (13) Cl.** **23-99**
(52) **U.S. Cl.**
USPC **D34/1; D34/10**
(58) **Field of Classification Search**
USPC D34/1-11; D9/737, 738, 770, 772, 777,
D9/778; D7/601, 603, 604, 605, 608;
D6/556, 535, 534; D3/304
CPC B65F 1/00; B65F 1/163; B65F 1/1638;
B65F 1/0033; B65F 1/16; B65F 1/122;
B65F 2001/1489; B65F 2240/132; Y10S
220/908; A01K 1/001
See application file for complete search history.

(56) **References Cited**

U.S. PATENT DOCUMENTS

5,165,567 A * 11/1992 Richardson B65F 1/08
150/154
D490,581 S * 5/2004 Keithly D34/1
7,273,155 B1 * 9/2007 Gray B65F 1/065
220/495.04
D656,815 S * 4/2012 Fisher D9/435
D695,323 S * 12/2013 Strandemo D15/90
D799,830 S * 10/2017 Greenwood D3/312
D853,234 S * 7/2019 Aziz D9/432

D886,577 S * 6/2020 De Geyter D9/423
D891,243 S * 7/2020 De Geyter D9/423
D891,244 S * 7/2020 Tempel D9/425
D895,282 S * 9/2020 Plattner D3/272
2014/0283753 A1* 9/2014 Dawn A01K 1/0114
119/166
2017/0259994 A1* 9/2017 Andro-Vasko B65F 1/068

* cited by examiner

Primary Examiner — George A Bugg

Assistant Examiner — Tamara L Hahn

(74) *Attorney, Agent, or Firm* — Muncy, Geissler, Olds & Lowe, P.C.

(57) **CLAIM**

I claim the ornamental design for a trash can, as shown and described.

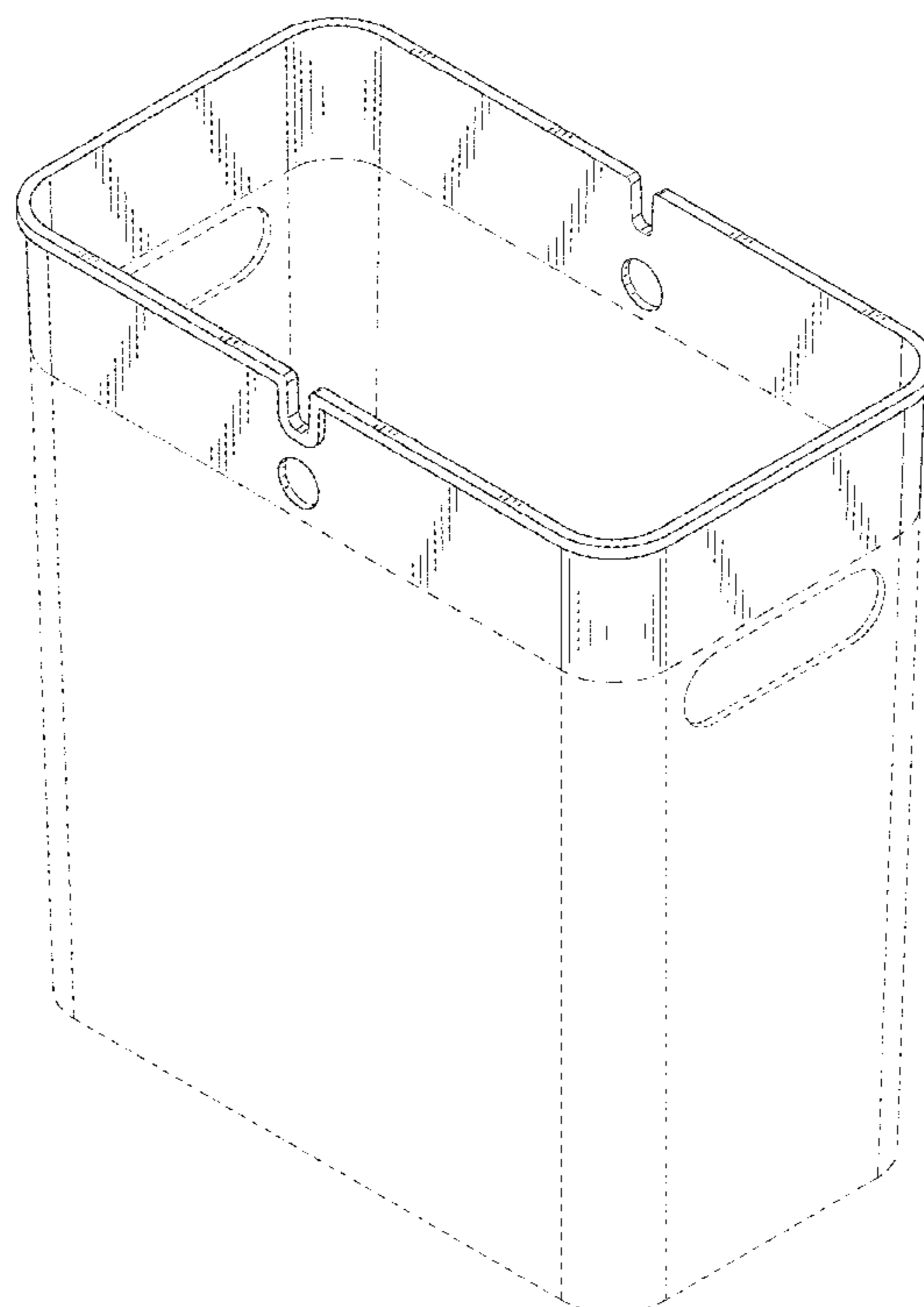
DESCRIPTION

FIG. 1 is a top, front, right perspective view of a trash can showing my new design;
FIG. 2 is a front elevational view thereof;
FIG. 3 is a rear elevational view thereof;
FIG. 4 is a left side view thereof;
FIG. 5 is a right side view thereof;
FIG. 6 is a top plan view thereof;
FIG. 7 is a bottom plan view thereof; and,
FIG. 8 is a cross-section view taken along the line 8-8 in FIG. 2.

The broken lines in the drawings illustrate portions of the trash can which form no part of the claimed design.

The dot-dashed line in the figures defines the boundary of claimed design and forms no part of the claimed design.

1 Claim, 7 Drawing Sheets



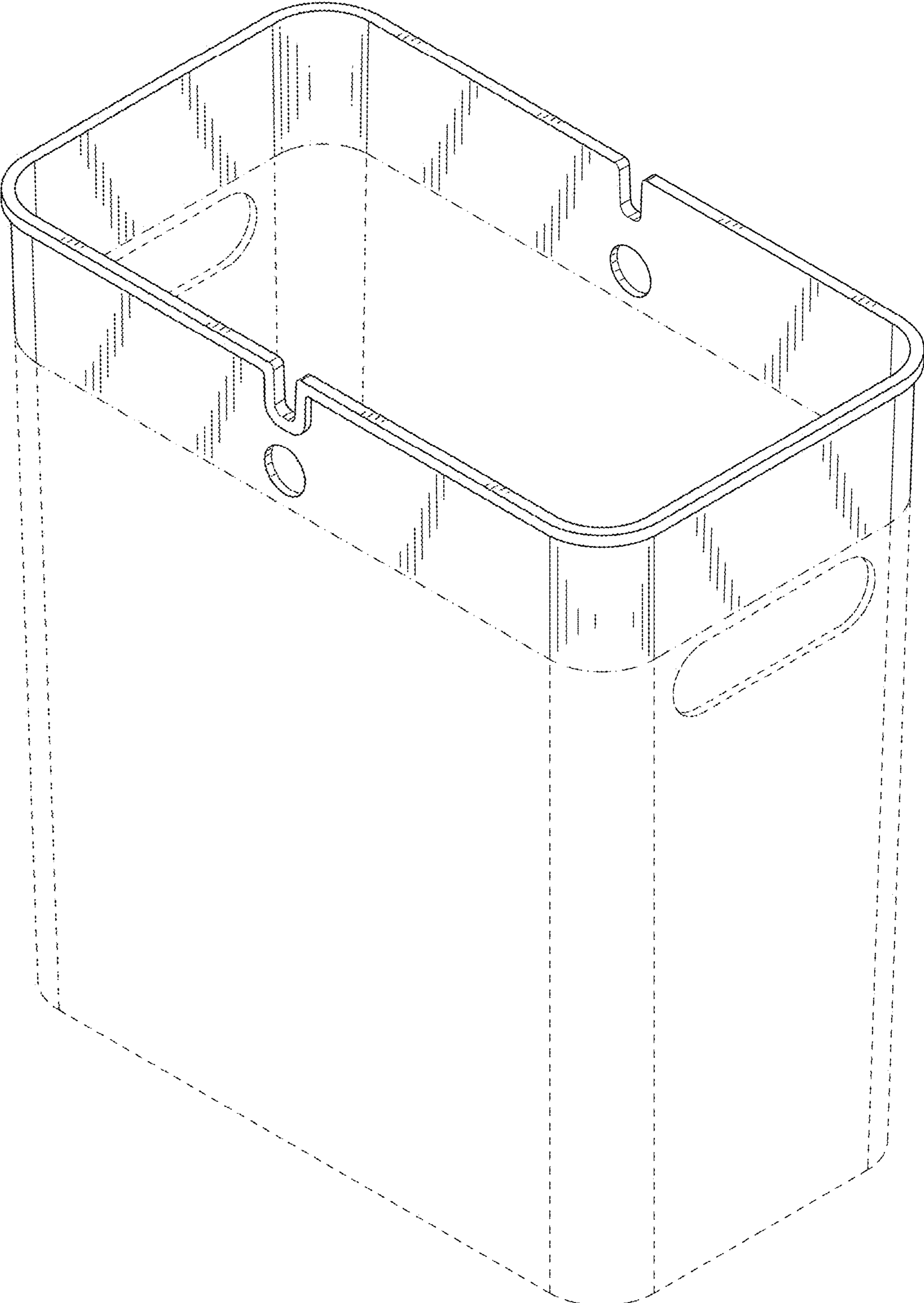


FIG. 1

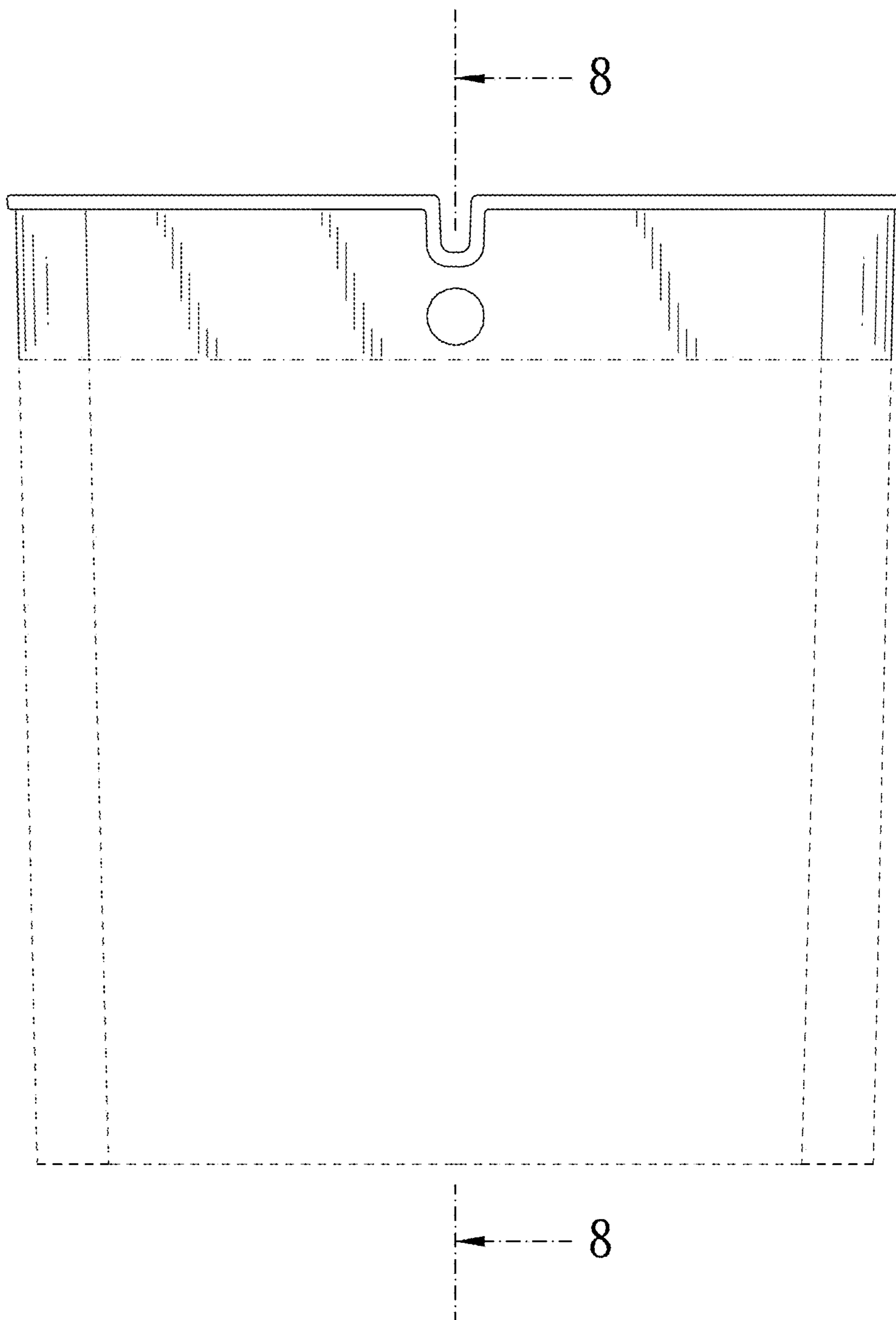


FIG. 2

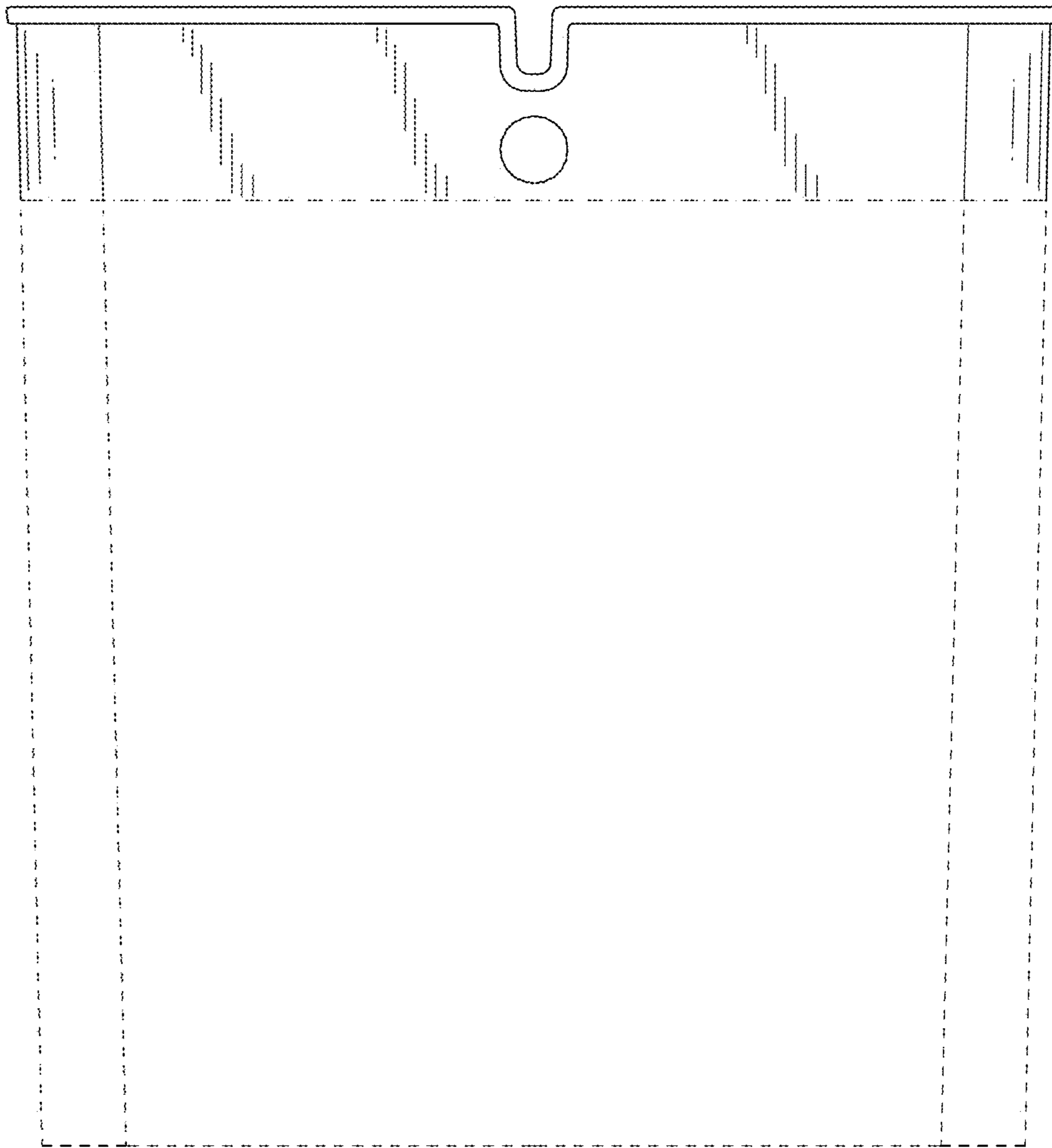


FIG. 3

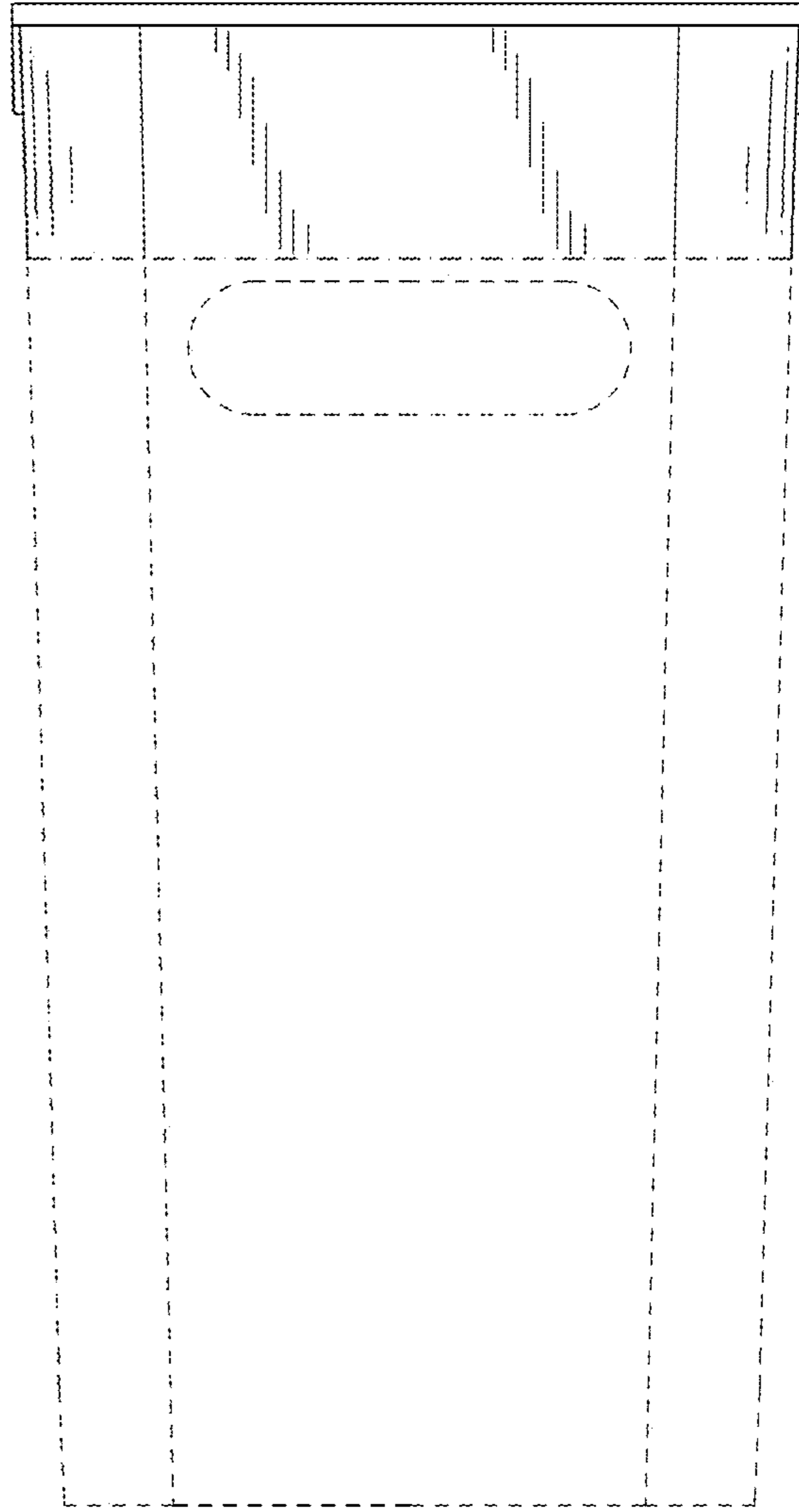


FIG. 4

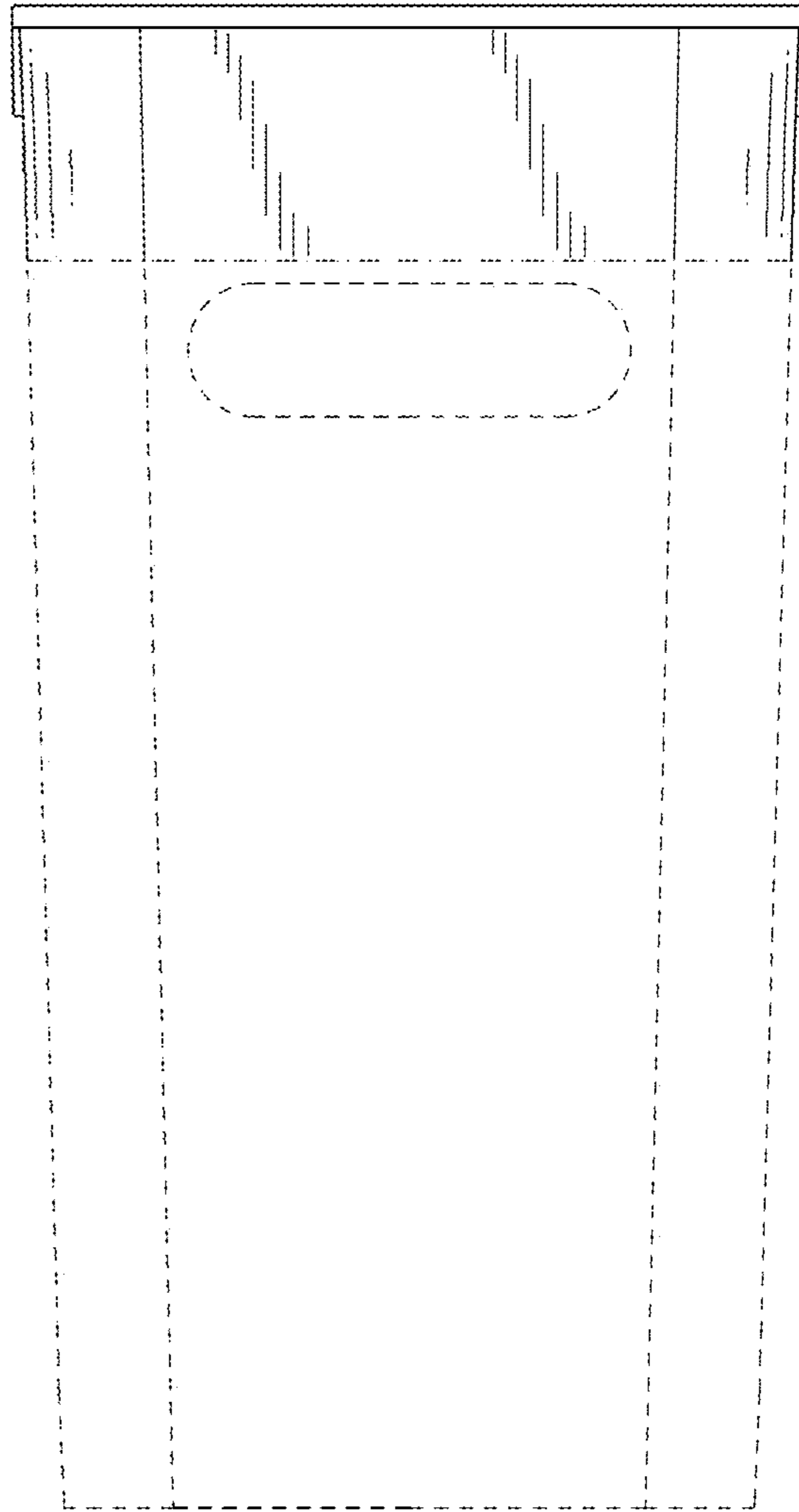


FIG. 5

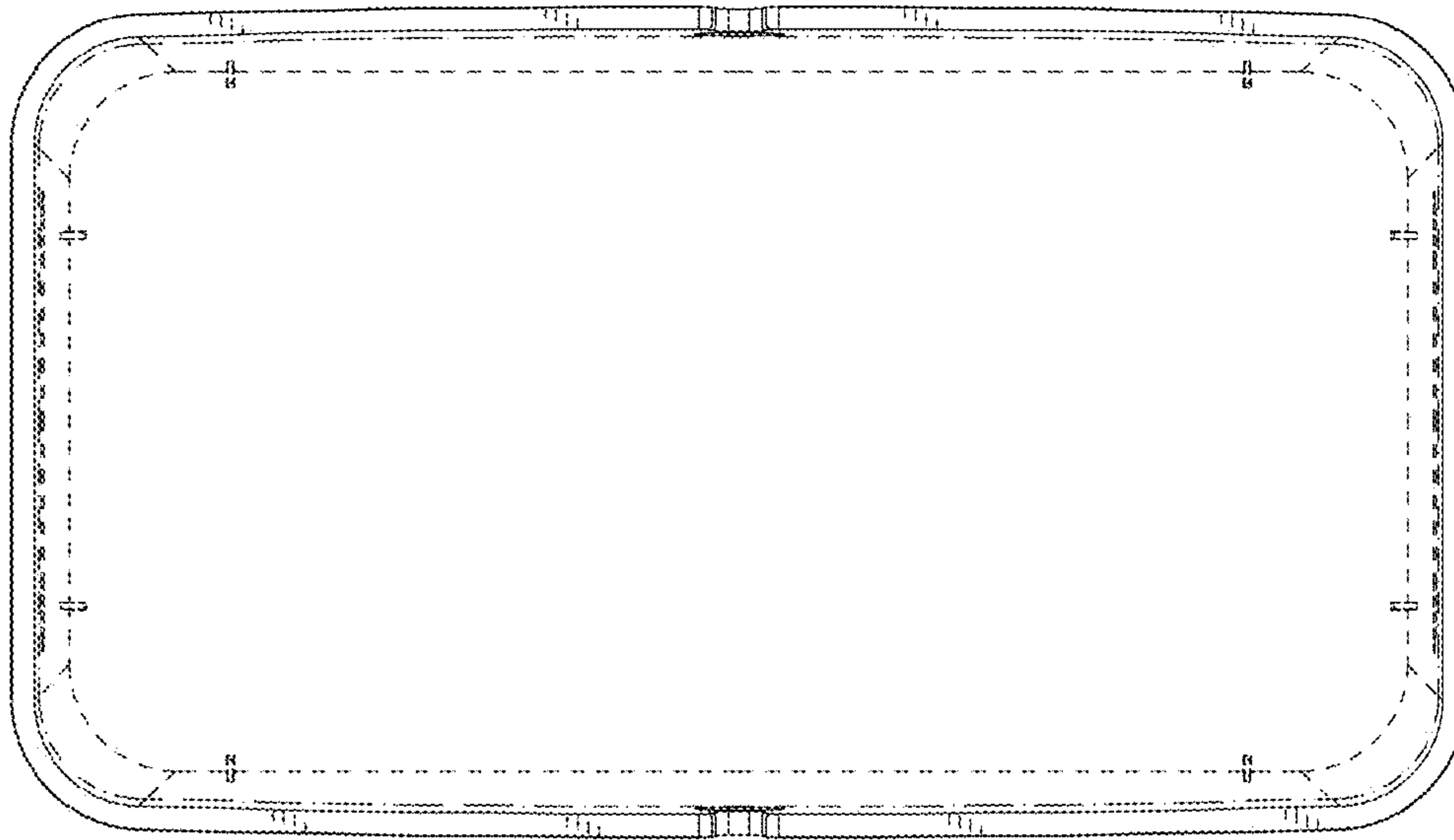


FIG. 6

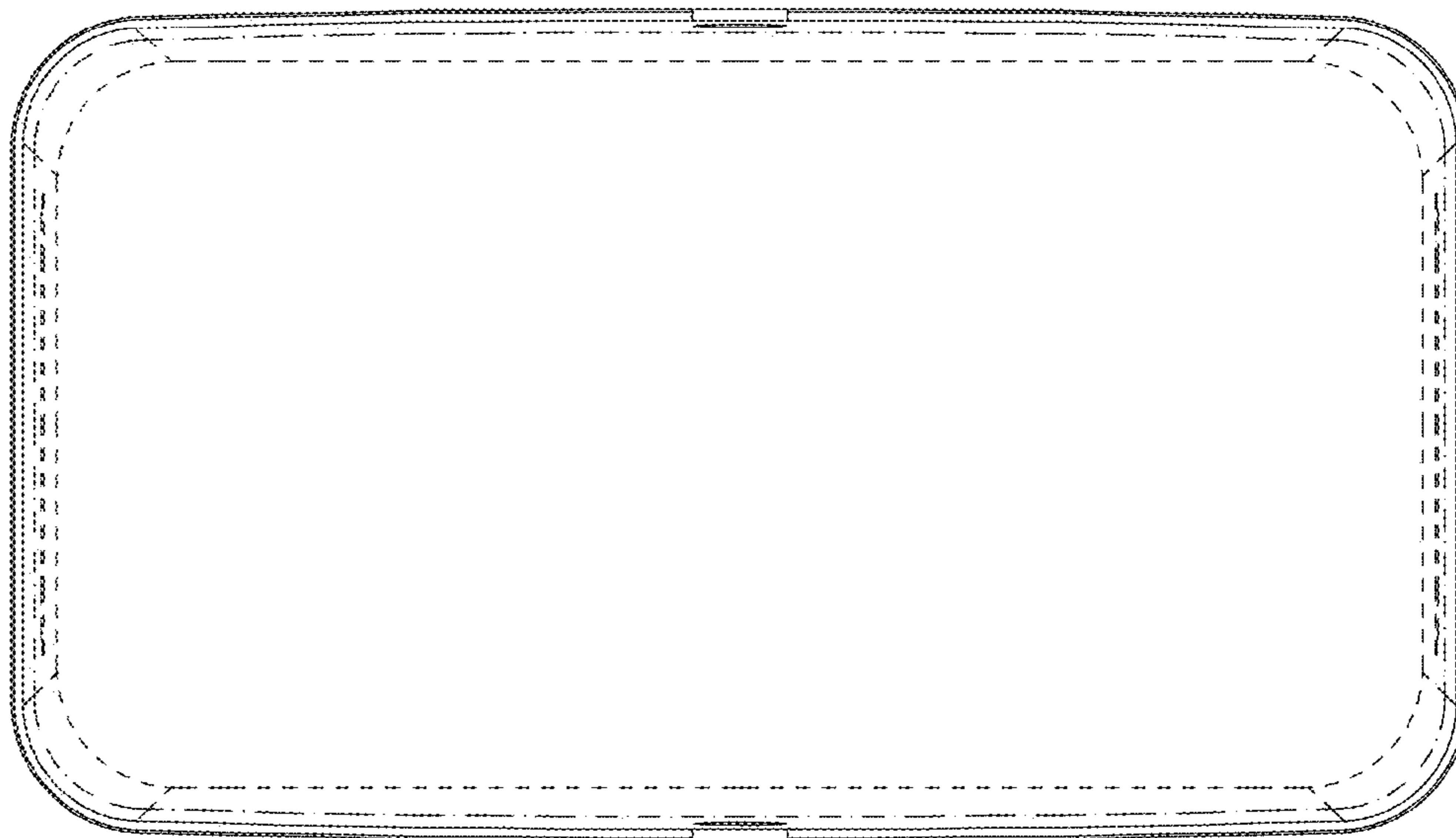


FIG. 7

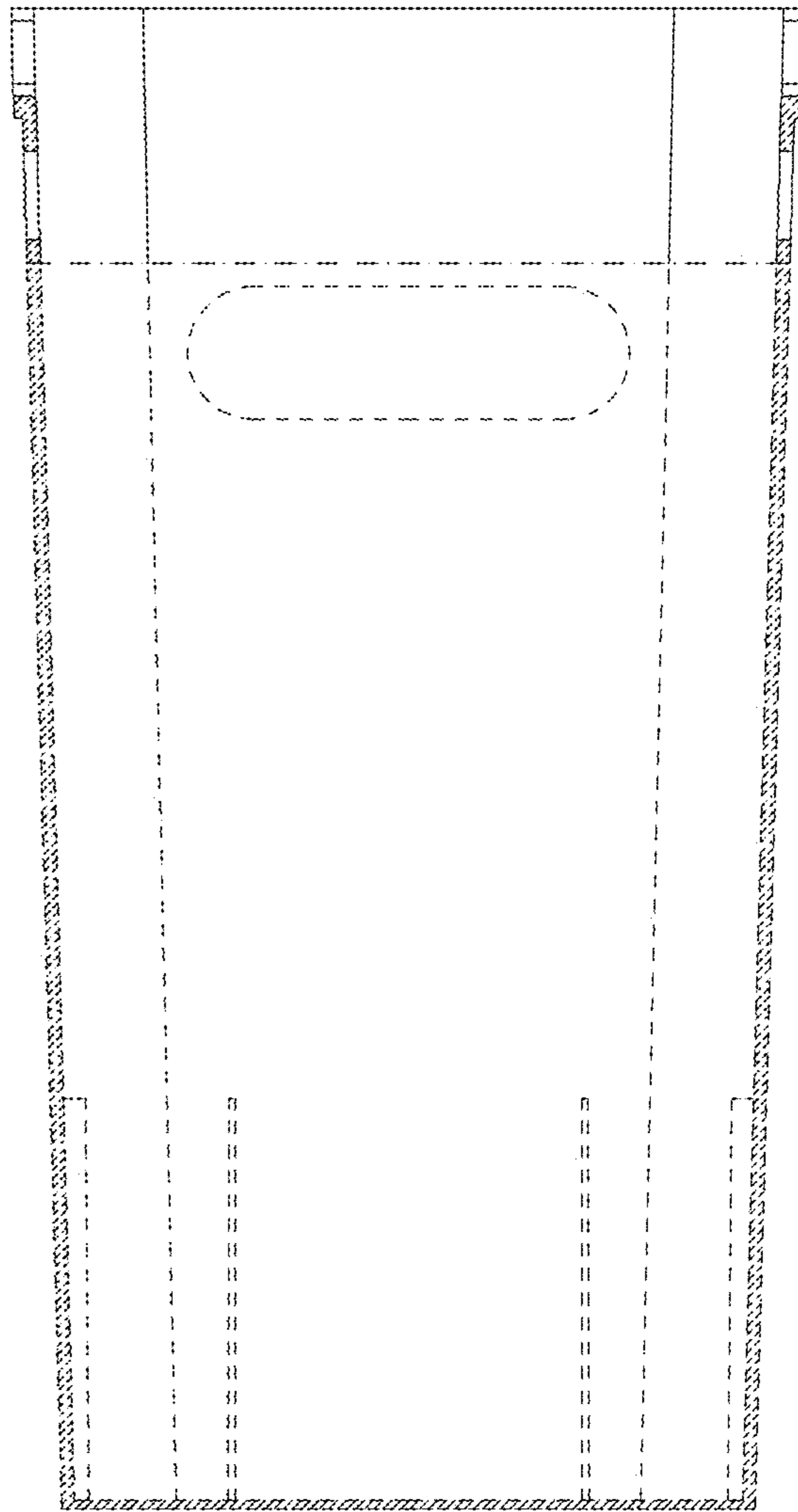


FIG. 8