



US00D908299S

(12) **United States Design Patent** (10) **Patent No.:** **US D908,299 S**
Van Loyen (45) **Date of Patent:** **** Jan. 19, 2021**

(54) **MOP HOLDER**
(71) Applicant: **Carl Freudenberg KG**, Weinheim (DE)
(72) Inventor: **Dietmar Van Loyen**, Enkenbach-Alsenborn (DE)
(73) Assignee: **CARL FREUDENBERG KG**, Weinheim (DE)
(**) Term: **15 Years**
(21) Appl. No.: **29/694,439**
(22) Filed: **Jun. 11, 2019**
(30) **Foreign Application Priority Data**
Dec. 13, 2018 (EM) 005887882
(51) **LOC (13) Cl.** **07-05**
(52) **U.S. Cl.**
USPC **D32/40**
(58) **Field of Classification Search**
USPC D32/40-43, 45-46, 48-52; D4/100, 119, D4/132, 135
CPC A47L 4/00; A47L 13/10
See application file for complete search history.

(56) **References Cited**
U.S. PATENT DOCUMENTS
1,091,700 A * 3/1914 Pirrung A46B 11/0041 401/288
D152,136 S * 12/1948 Berry D32/50
D170,438 S * 9/1953 Ziskind D32/51
4,794,663 A * 1/1989 Vosbikian A47L 13/24 15/144.1
D325,454 S * 4/1992 Schmidt D32/51
D538,987 S * 3/2007 Angeletta D32/40
8,108,961 B2 * 2/2012 Lin A46B 5/0058 15/159.1
8,112,840 B2 * 2/2012 Chen A47L 13/58 15/147.1

D683,509 S * 5/2013 Tseng D32/50
D720,905 S * 1/2015 Lentine D32/50
D721,462 S * 1/2015 Muhl D32/50
(Continued)

FOREIGN PATENT DOCUMENTS
CN 305528575 * 1/2020

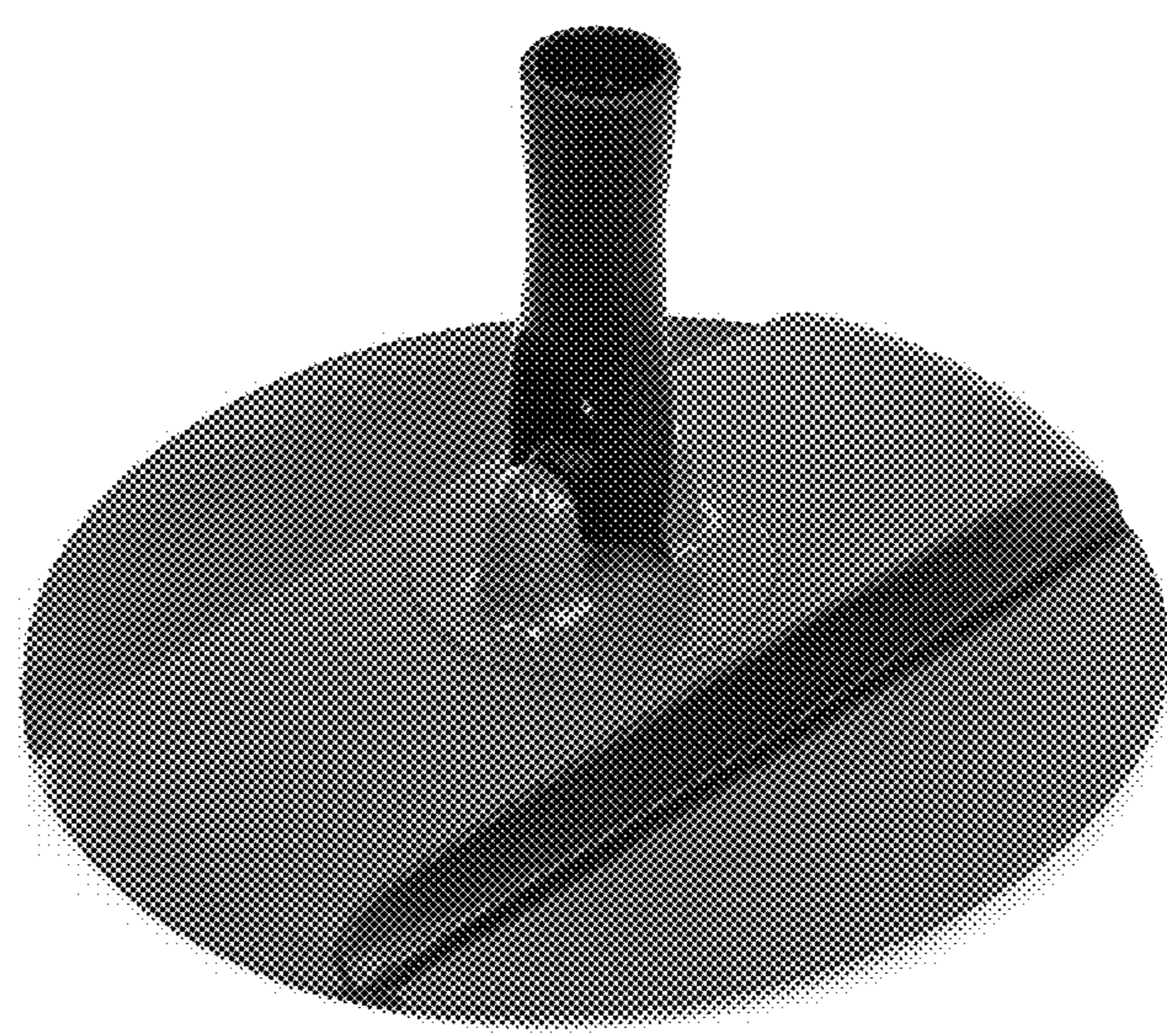
OTHER PUBLICATIONS
Zimtown Magic Spin Mop, reviews 2017, <https://www.walmart.com/ip/Easy-Hole-Set-Pull-Zimtown-Spin-Reusable-Heads-Push-Flo...>, site visited Apr. 24, 2020.*

Primary Examiner — John R Yeh
(74) *Attorney, Agent, or Firm* — Leydig, Voit & Mayer, Ltd.

(57) **CLAIM**
The ornamental design for a mop holder, as shown and described.

DESCRIPTION
The file of this patent contains at least one drawing/photograph executed in color. Copies of this patent with color drawing(s)/photograph(s) will be provided by the Office upon request and payment of the necessary fee.
FIG. 1 is a front view for my design for a mop holder in a first state of use;
FIG. 2 is a front view of the mop holder in a second state of use;
FIG. 3 is a right-side view of the mop holder in FIG. 1;
FIG. 4 is a left-side view thereof;
FIG. 5 is a rear view thereof;
FIG. 6 is a top view thereof; and,
FIG. 7 is a front, top, right perspective view thereof.
The colors shown form a part of the claimed design. The bottom view forms no part of the claimed design.

1 Claim, 7 Drawing Sheets
(7 of 7 Drawing Sheet(s) Filed in Color)



(56)

References Cited

U.S. PATENT DOCUMENTS

D725,846 S * 3/2015 Lambert D30/158
D745,369 S * 12/2015 Tungsavick D8/349
D776,891 S * 1/2017 Chen D32/50
D810,371 S * 2/2018 Lentine D32/45
2004/0175013 A1* 9/2004 Gleissner H04R 1/08
381/363
2005/0235446 A1* 10/2005 Eggers A47L 11/162
15/220.1
2009/0102723 A1* 4/2009 Mateychuk H01Q 5/40
343/700 MS
2012/0090122 A1* 4/2012 Lin A47L 13/58
15/228
2012/0233794 A1* 9/2012 Yu A47L 13/14
15/98

* cited by examiner

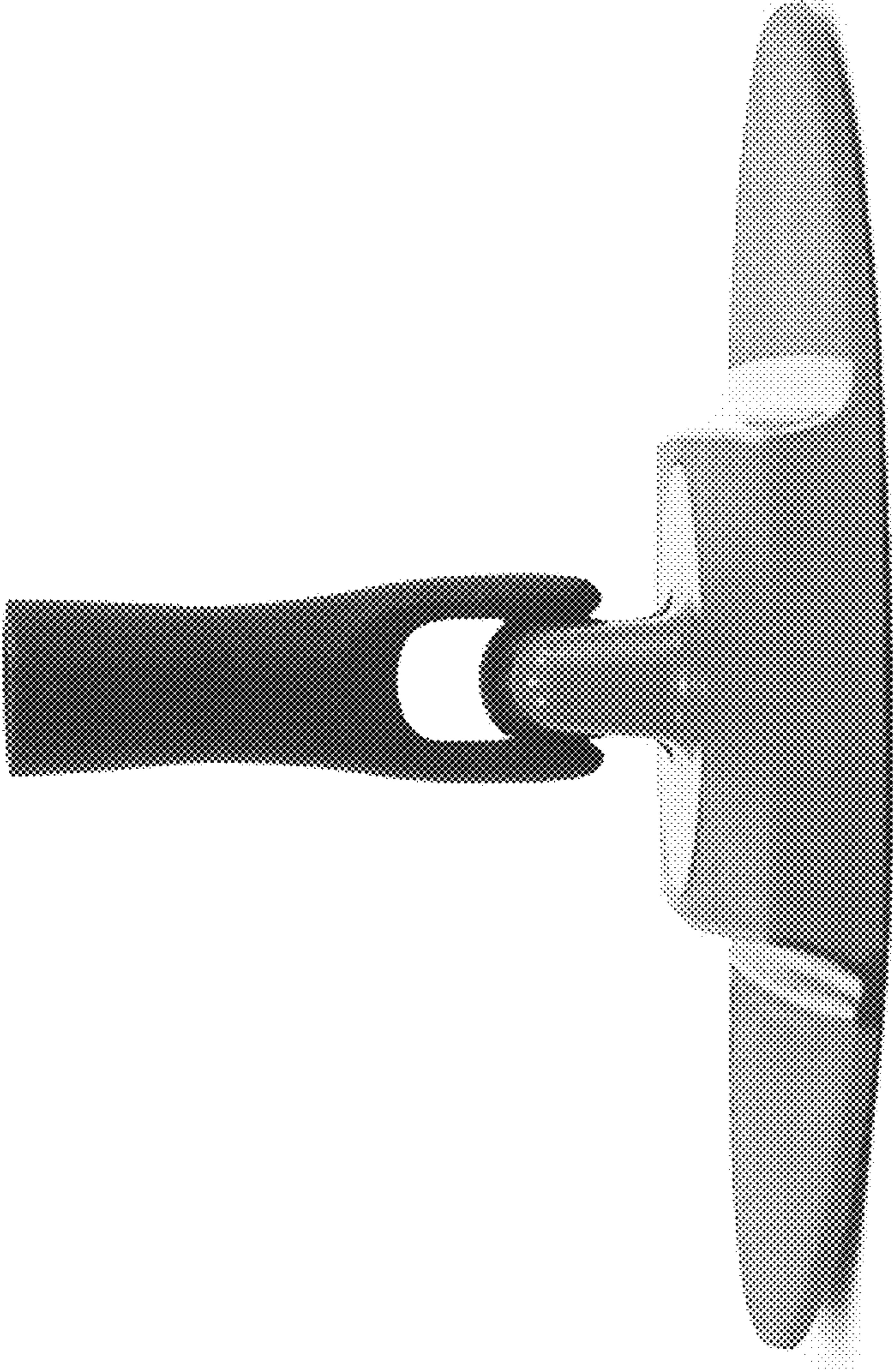


FIG. 1

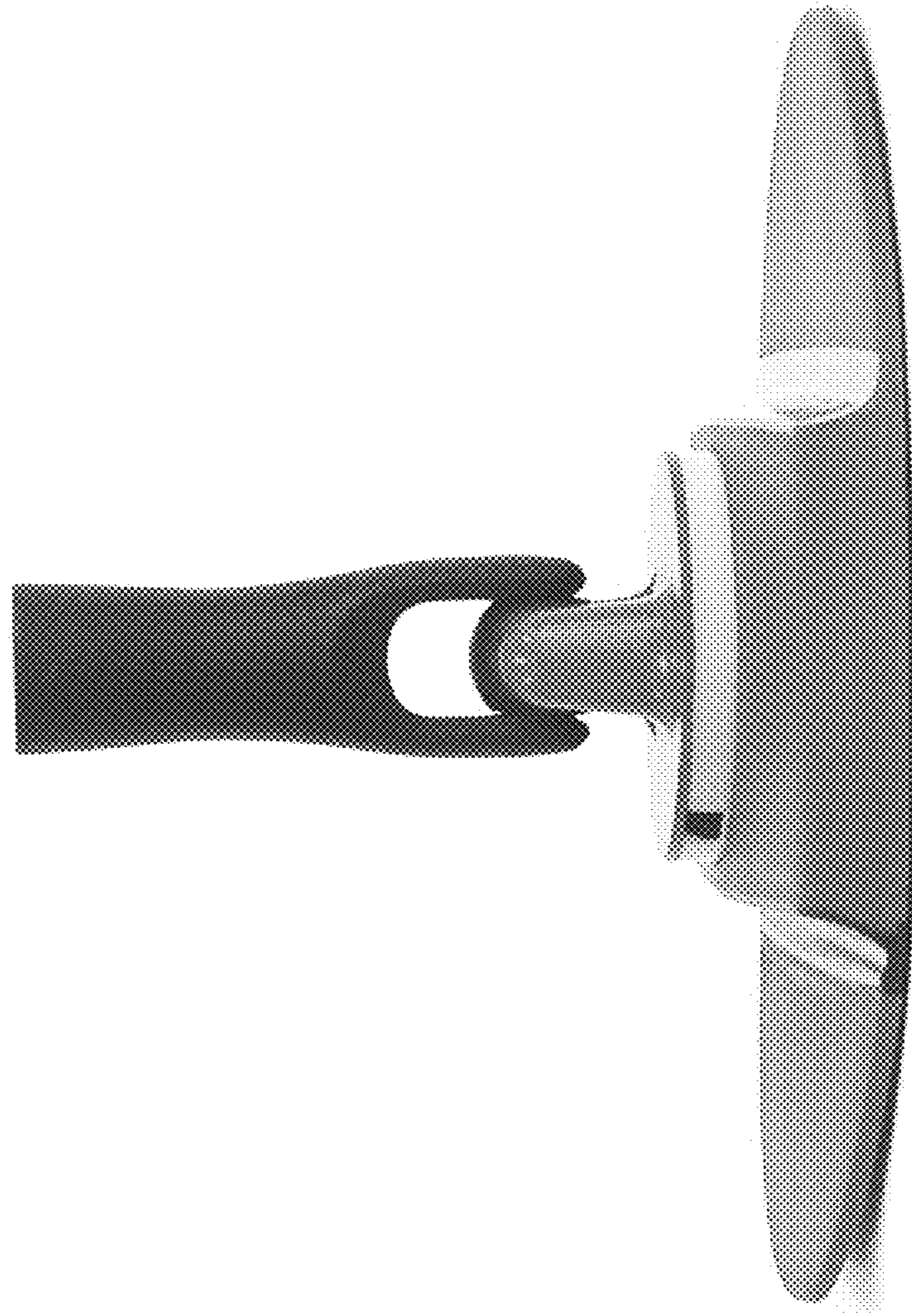


FIG. 2

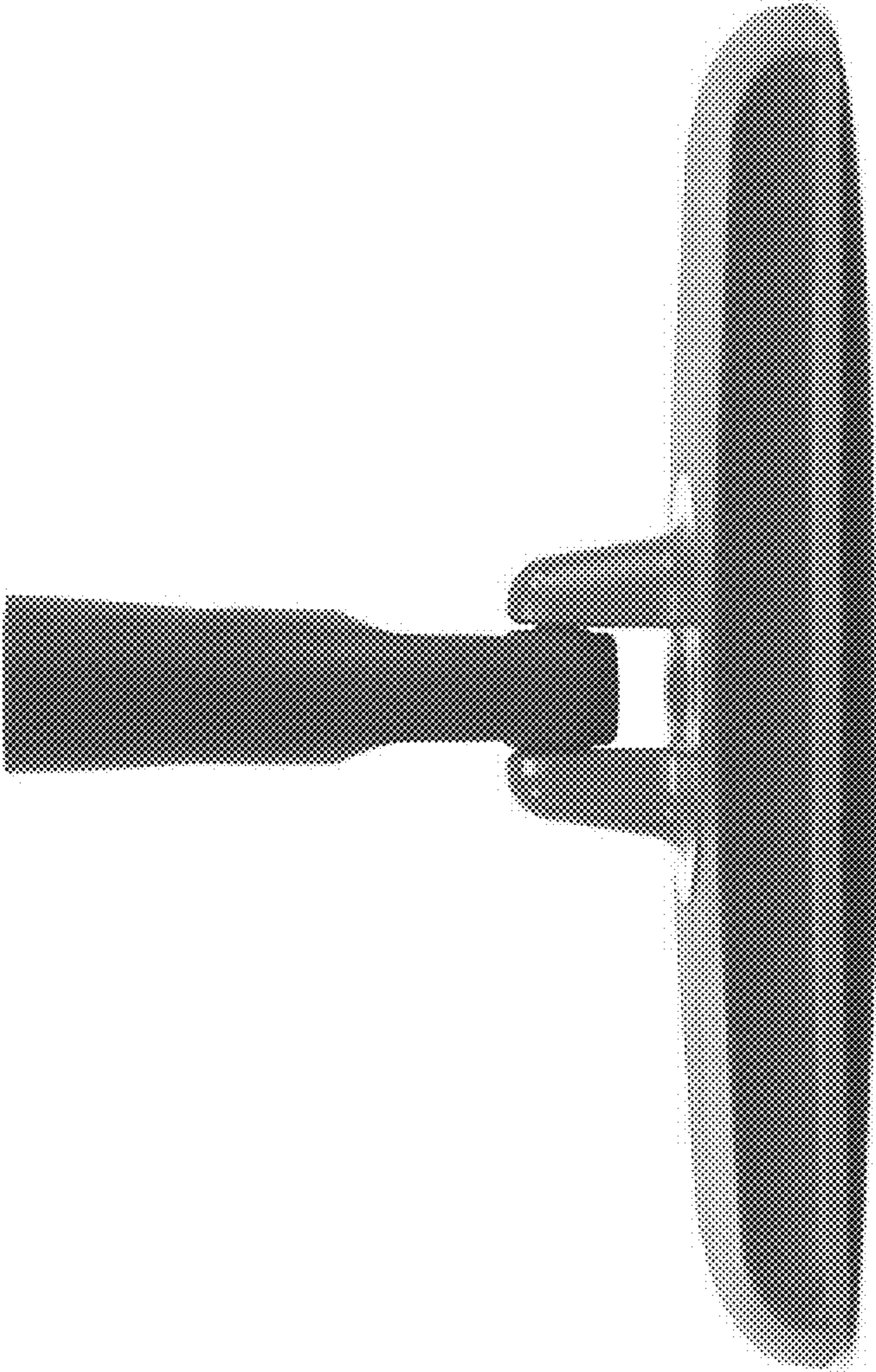


FIG. 3

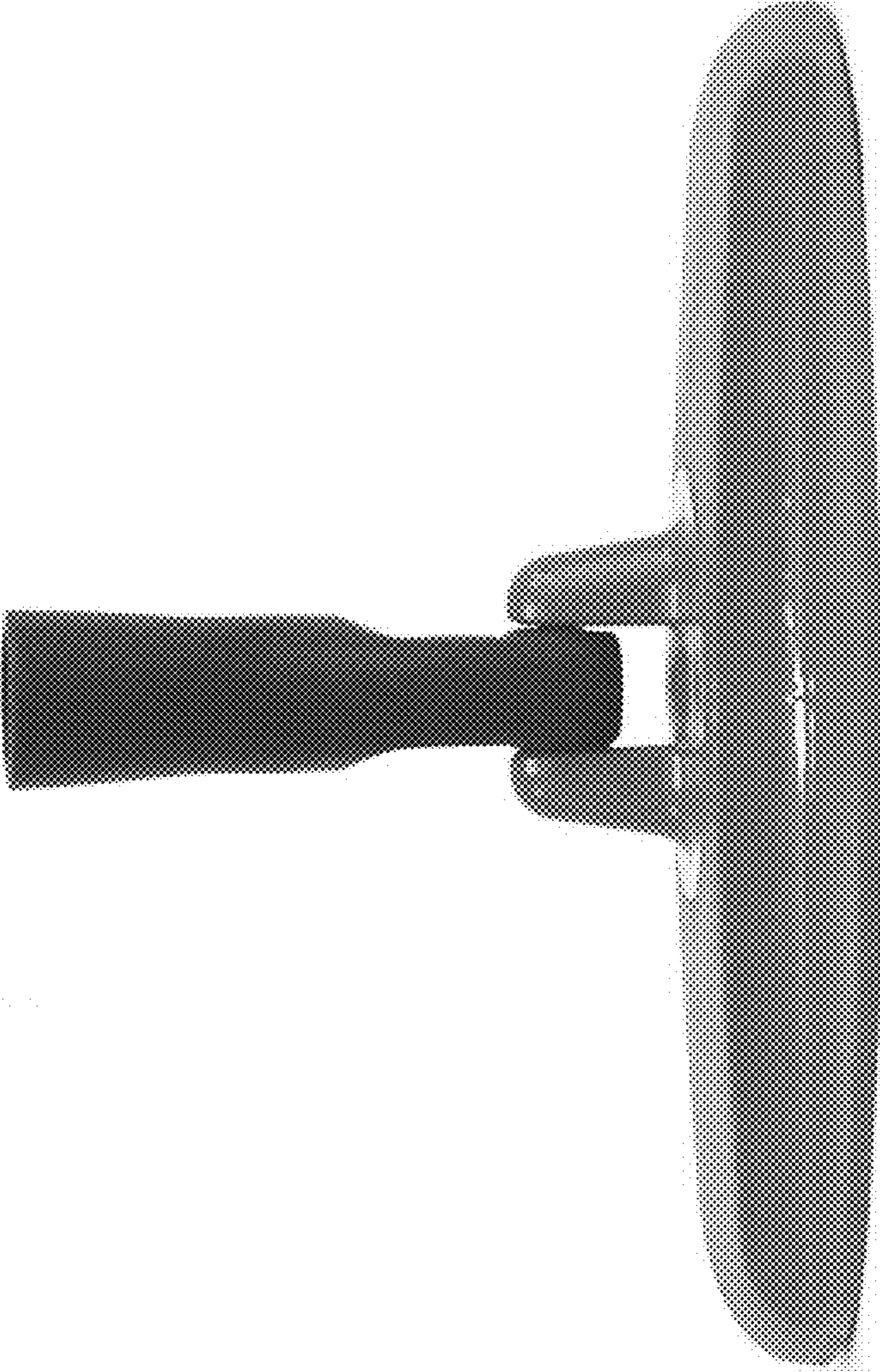


FIG. 4

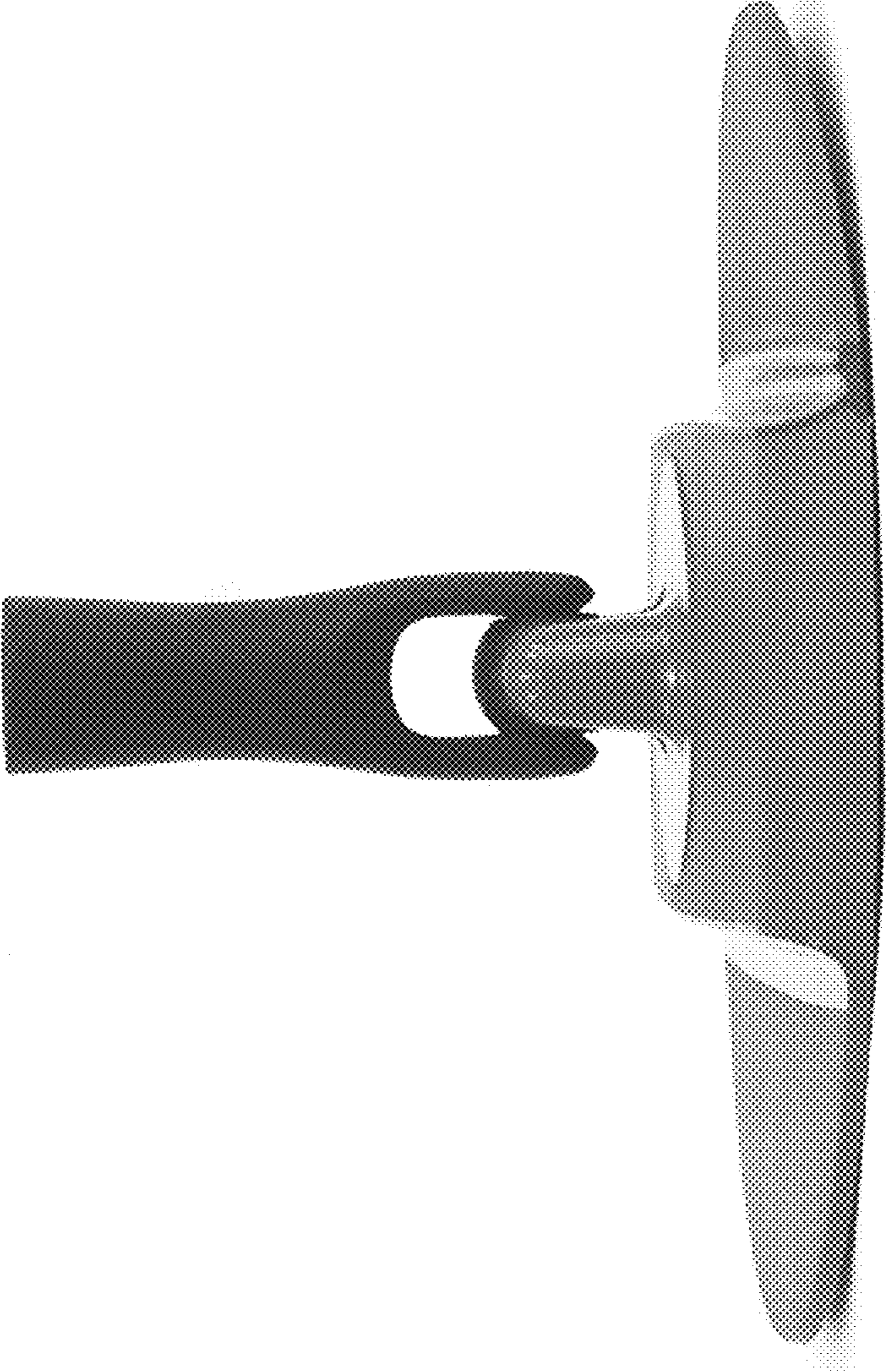


FIG. 5



FIG. 6



FIG. 7