



US00D908292S

(12) **United States Design Patent** (10) **Patent No.:** **US D908,292 S**
Wu (45) **Date of Patent:** **** Jan. 19, 2021**

(54) **PET GROOMING DRYER**
(71) Applicant: **Zijian Wu**, Shenzhen (CN)
(72) Inventor: **Zijian Wu**, Shenzhen (CN)
(73) Assignee: **Zijian Wu**, Shenzhen (CN)
(**) Term: **15 Years**
(21) Appl. No.: **29/738,321**
(22) Filed: **Jun. 17, 2020**
(51) **LOC (13) Cl.** **30-99**
(52) **U.S. Cl.**
USPC **D30/158; D30/159**
(58) **Field of Classification Search**
USPC D30/158, 159, 199; 15/104.002, 230.11, 15/104.94, 104.8, 23, 231, 169, 184, 114, 15/DIG. 14, 186-188, 329, 337, 338, 15/415.1, 416-422, 422.1, 93.1, 246.2, 15/322, 350-354, 361-363, 366, 378, 15/400, 401, 414, 412, 344, 402; 132/119-119.1, 212, 271, 112; 206/15.2-15.3, 361, 362.3, 470; 242/571.4; D28/25, 23, 30, 59, 21; D4/117, 116, 121-125, 102, 199, 137, D4/131; D32/31-33, 25, 17; 119/600, 119/606, 608-612, 625, 628, 633, 650, 119/677; 34/92, 96, 97; 401/289
CPC A01K 13/00-002; A47L 9/00; A47L 9/04; A47L 9/0072; A47L 9/0081; A47L 7/00; A47L 7/0066; A47L 7/0085; A47L 7/009; A47L 7/02; A45D 2/00; A45D 2/002; A45D 2/36; A45D 2/367; A45D 2002/003; A45D 24/00; A45D 24/007; A45D 24/32; A45D 2024/002; A45D 20/00; A45D 20/10; A45D 20/12; A45D 20/122; A45D 20/48; A45D 20/50; A45D 20/52; A45D 20/525

See application file for complete search history.

(56) **References Cited**
U.S. PATENT DOCUMENTS
D272,568 S * 2/1984 Kuhl D30/158
5,768,748 A * 6/1998 Silvera A01K 13/001
119/602
D401,023 S * 11/1998 Sebor D32/33
7,124,712 B2 * 10/2006 Berman A01K 13/002
119/628
7,159,274 B2 * 1/2007 Freidell A01K 13/002
15/339
D621,567 S * 8/2010 Crawley D32/33
D670,454 S * 11/2012 Sherk, Jr. D30/158
D688,425 S * 8/2013 Fernandez D30/158
D782,132 S * 3/2017 Cathaud D30/158
D796,761 S * 9/2017 Larouche D32/33
D801,598 S * 10/2017 Urso D30/158
D806,969 S * 1/2018 Larouche D32/33
D866,092 S * 11/2019 Liang D30/158

(Continued)

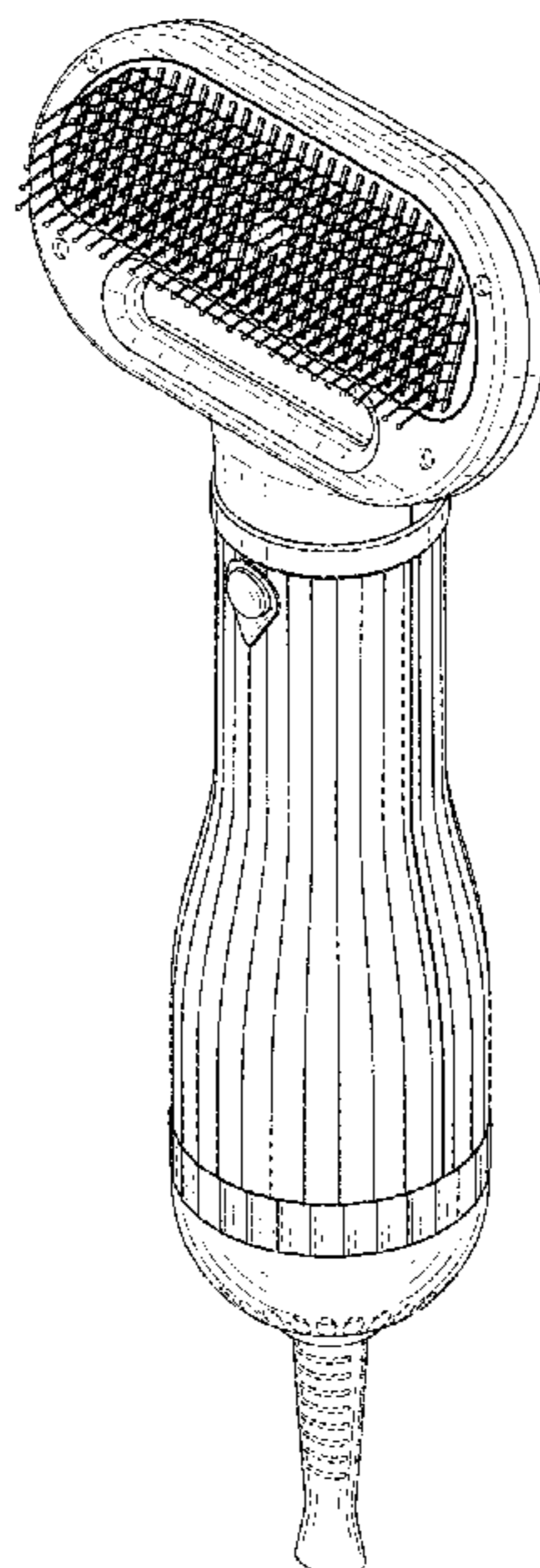
Primary Examiner — Susan Moon Lee
(74) *Attorney, Agent, or Firm* — Andrew C. Cheng

(57) **CLAIM**
I claim the ornamental design for a pet grooming dryer, as shown and described.

DESCRIPTION

FIG. 1 is a first perspective view of a pet grooming dryer showing my new design;
FIG. 2 is a second perspective view thereof;
FIG. 3 is a front elevational view thereof;
FIG. 4 is a rear elevational view thereof;
FIG. 5 is a left elevational view thereof;
FIG. 6 is a right elevational view thereof;
FIG. 7 is a top plan view thereof; and,
FIG. 8 is a bottom plan view thereof.
The broken line showing of the environment is for illustrative purposes only and forms no part of the claimed design.

1 Claim, 8 Drawing Sheets



(56)

References Cited

U.S. PATENT DOCUMENTS

2009/0293225 A1* 12/2009 Freidell A47L 9/06
15/402
2010/0071713 A1* 3/2010 Simon A01K 13/003
132/115
2010/0307426 A1* 12/2010 Bertsch A01K 13/002
119/601
2011/0297101 A1* 12/2011 Fernandez A01K 13/002
119/603
2017/0265431 A1* 9/2017 Urso B25G 1/102

* cited by examiner

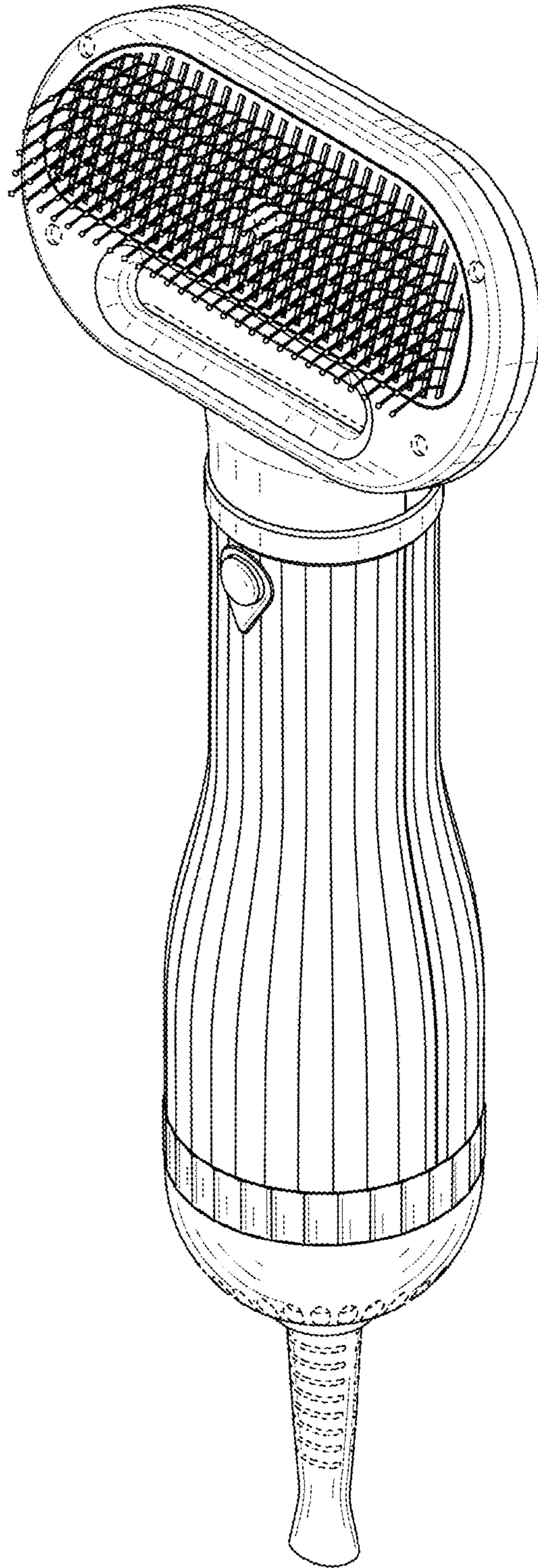


FIG. 1

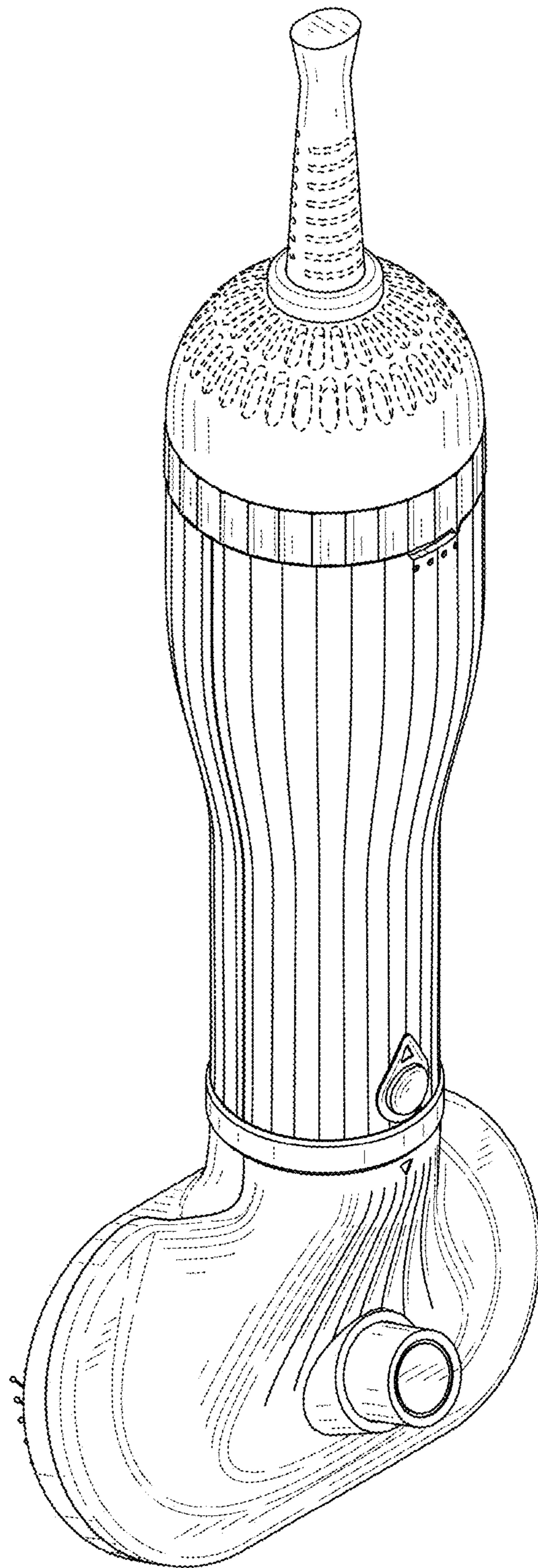


FIG. 2

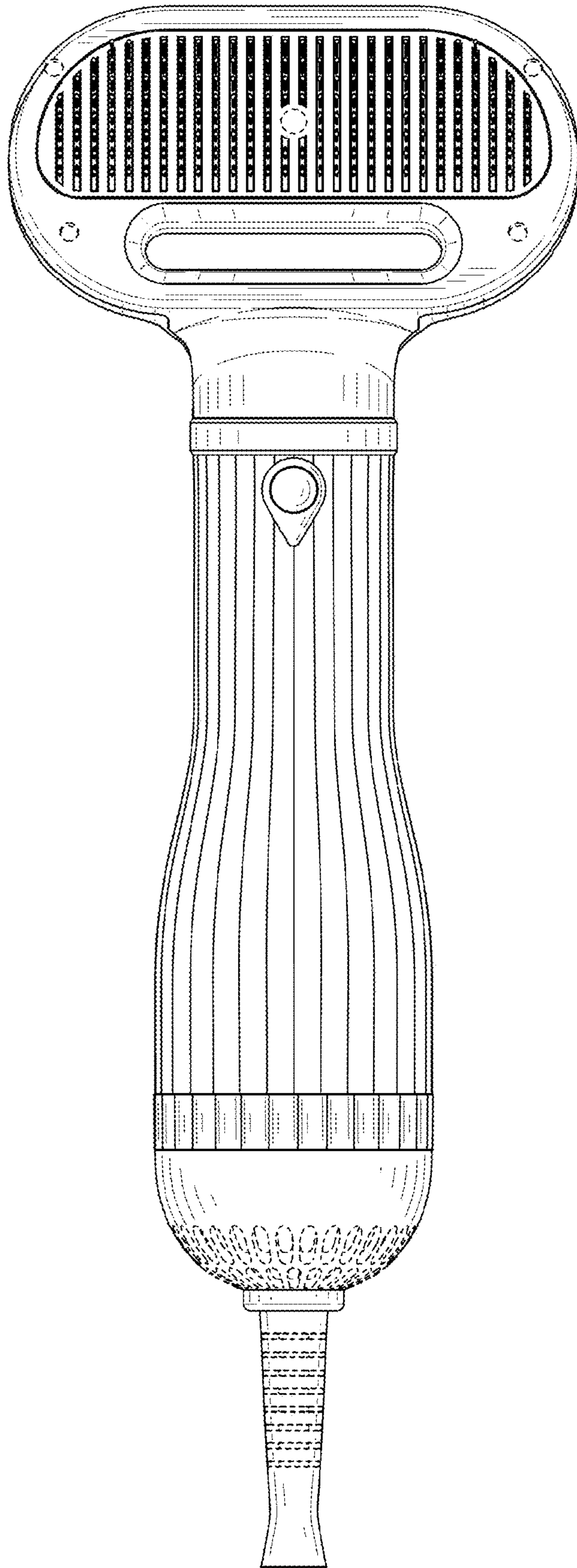


FIG. 3

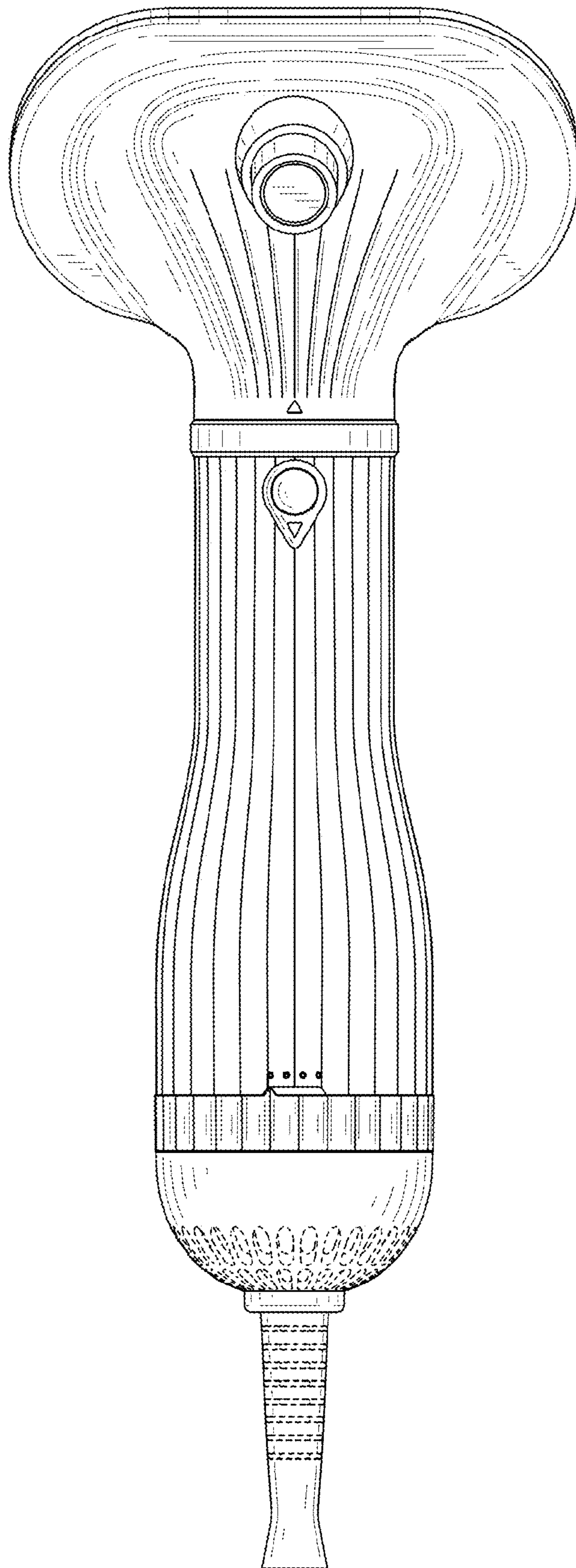


FIG. 4

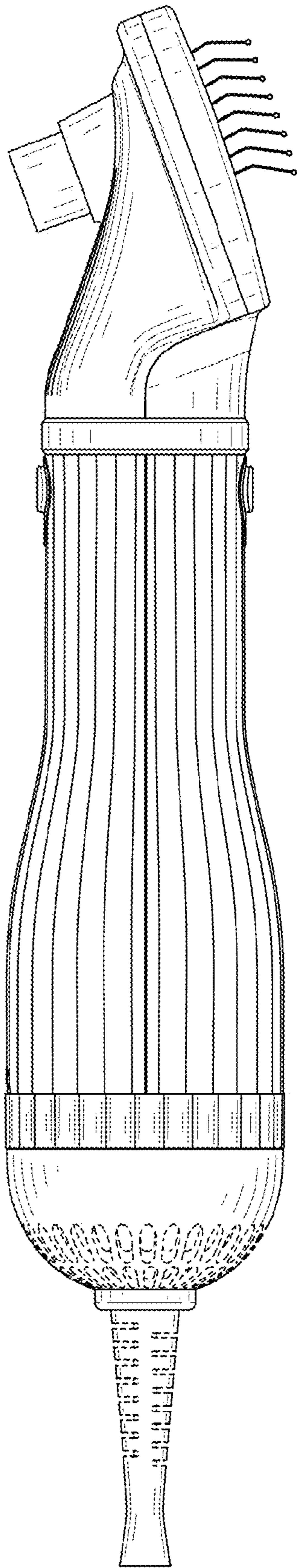


FIG. 5

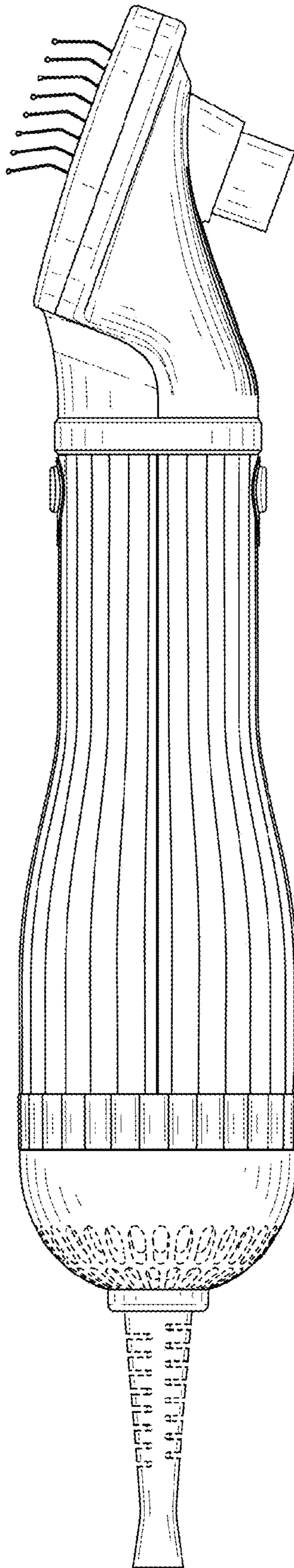


FIG. 6

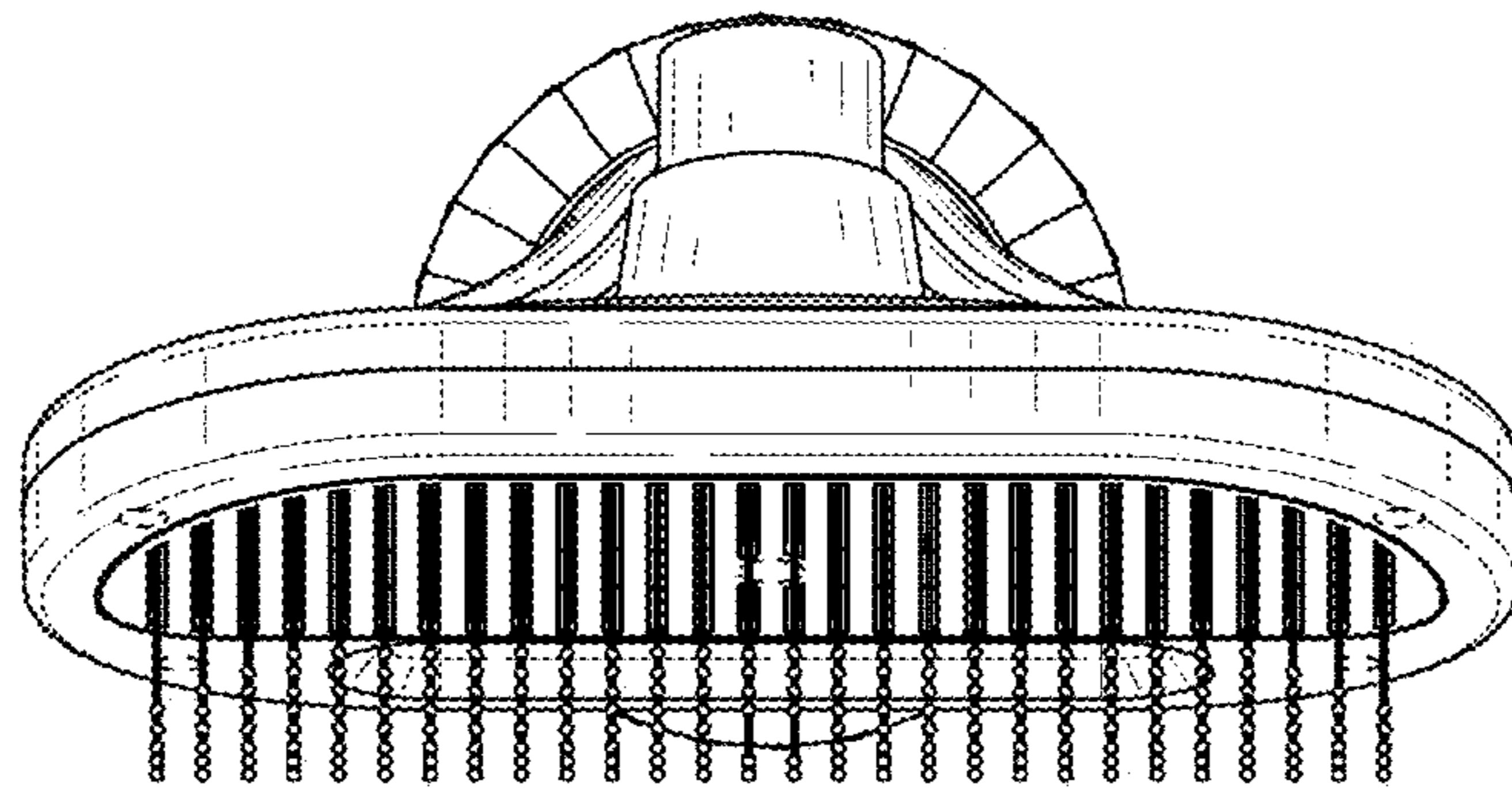


FIG. 7

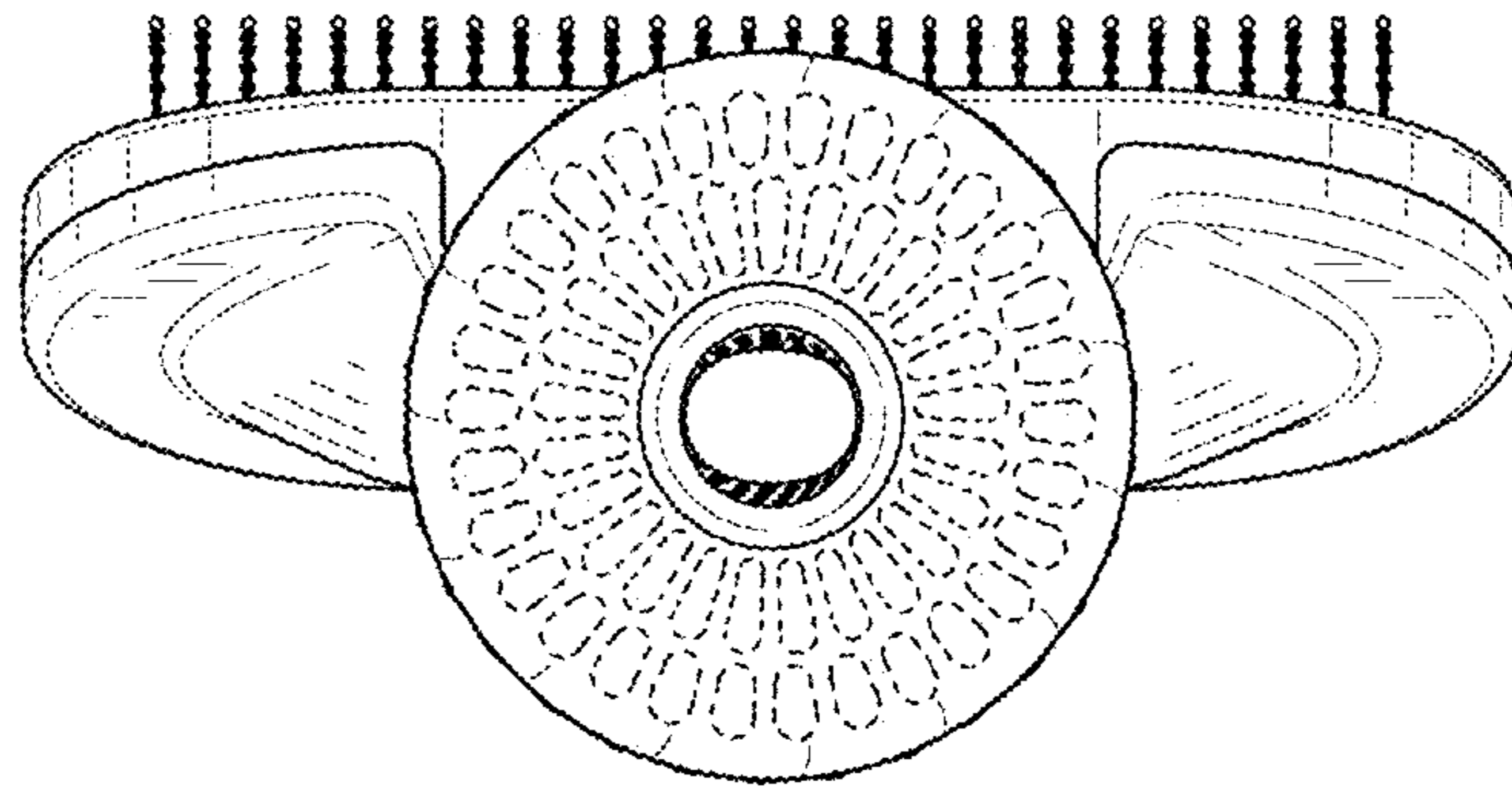


FIG. 8