



US00D908291S

(12) **United States Design Patent**
Jenkins et al.

(10) **Patent No.:** **US D908,291 S**

(45) **Date of Patent:** **** Jan. 19, 2021**

(54) **HELMET MODULE**

(71) Applicant: **BAE Systems plc**, London (GB)

(72) Inventors: **Jordan Jenkins**, Rochester (GB);
Gavin Firman, Rochester (GB);
Martyn Ingleton, Rochester (GB)

(73) Assignee: **BAE SYSTEMS plc**, London (GB)

(**) Term: **15 Years**

(21) Appl. No.: **29/683,981**

(22) Filed: **Mar. 18, 2019**

(30) **Foreign Application Priority Data**

Sep. 18, 2018 (GB) 6044095

(51) **LOC (13) Cl.** **02-99**

(52) **U.S. Cl.**
USPC **D29/122**

(58) **Field of Classification Search**
USPC D29/102–110, 122
CPC A42B 3/00; A42B 3/04; A42B 3/0453;
A42B 3/046; A42B 3/12; A42B 3/125;
A42B 3/127; A42B 3/128; A42B 3/22;
A42B 3/225; A42B 3/30; A42B 3/322;
A42B 3/20; A42B 3/227; A42B 3/16;
A42B 1/24; A42B 3/18; A42B 3/326;
A42B 3/042; A42B 3/222; A42B 3/228;
A42B 1/247

See application file for complete search history.

(56) **References Cited**

U.S. PATENT DOCUMENTS

3,473,166 A * 10/1969 Lobelle A42B 3/222
2/6.5
3,686,690 A * 8/1972 Webb A42B 3/225
2/9
D323,042 S * 1/1992 Gallet D29/107

5,095,551 A * 3/1992 Chin A42B 3/222
2/424
5,822,126 A * 10/1998 Cursolle A42B 3/042
359/630
6,160,666 A * 12/2000 Rallison G02B 27/0101
345/7
6,342,872 B1 * 1/2002 Potin A42B 3/042
345/8
6,820,285 B2 * 11/2004 Bataille A42B 3/042
2/422
7,170,058 B2 * 1/2007 Miyano A42B 3/042
250/330
D583,107 S * 12/2008 Morency D29/122
D632,437 S * 2/2011 Lebel D29/107
8,225,419 B2 * 7/2012 Hersick A42B 3/22
2/5
9,125,447 B2 * 9/2015 Lebel A44B 17/0076
D741,325 S * 10/2015 Bosveld D14/372

(Continued)

OTHER PUBLICATIONS

Bae Systems on Twitter—The Striker II Helmet-Mounted Display (on-line), dated Jul. 19, 2018. Retrieved from Internet Sep. 12, 2020, URL: <https://twitter.com/baesystemspc/status/1019869614363365376> (1 page) (Year: 2018).*

Primary Examiner — Kimberly Barnes
(74) *Attorney, Agent, or Firm* — Finch & Maloney PLLC

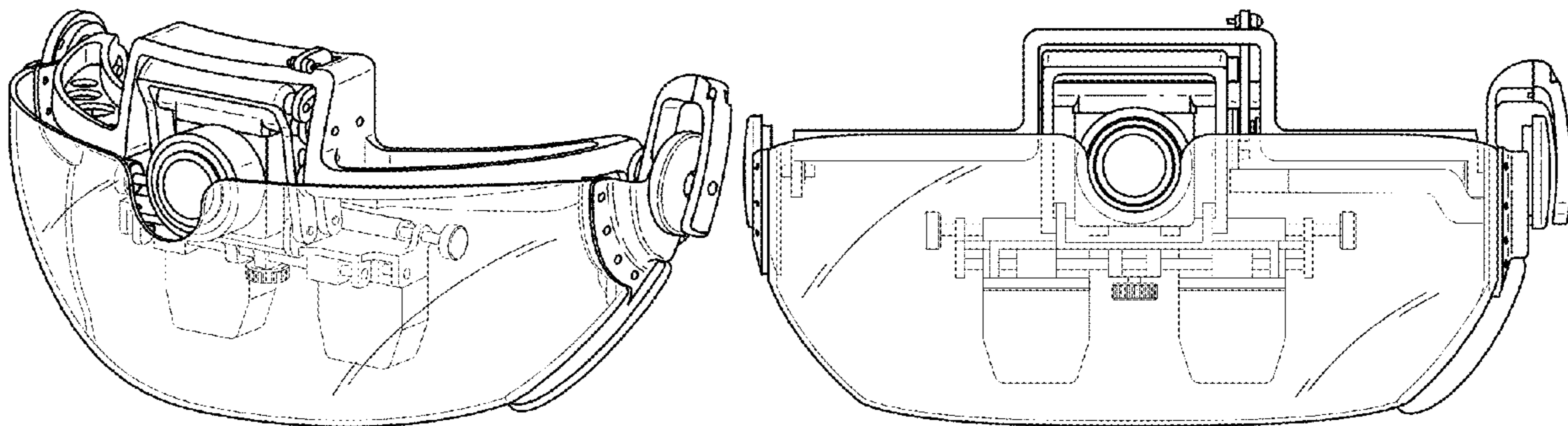
(57) **CLAIM**

The ornamental design for a helmet module, as shown and described.

DESCRIPTION

FIG. 1 is front, side, and top perspective view of a helmet module showing our new design;
FIG. 2 is front elevational view thereof;
FIG. 3 is a rear elevational view thereof;
FIG. 4 is a right-side elevational view thereof; and,
FIG. 5 is a top plan view thereof.

1 Claim, 5 Drawing Sheets



(56)

References Cited

U.S. PATENT DOCUMENTS

D741,859 S * 10/2015 Bosveld D14/372
D750,329 S * 2/2016 Leahy D29/109
9,456,649 B2 * 10/2016 Basson A42B 3/042
D801,587 S * 10/2017 Rieck D29/105
9,788,593 B2 * 10/2017 Lebel A42B 3/326
10,051,908 B2 * 8/2018 Redpath A42B 3/04
D827,937 S * 9/2018 Lussier D29/122
10,349,698 B2 * 7/2019 McCashin A42B 3/22
D868,878 S * 12/2019 Langenwalter D16/312
10,702,004 B2 * 7/2020 Gagliardo A42B 3/0406
2018/0231404 A1 * 8/2018 Kitain H01R 12/78
2020/0278557 A1 * 9/2020 Greenstein G02B 27/00
2020/0292831 A1 * 9/2020 Jenkins G02B 27/0176

* cited by examiner

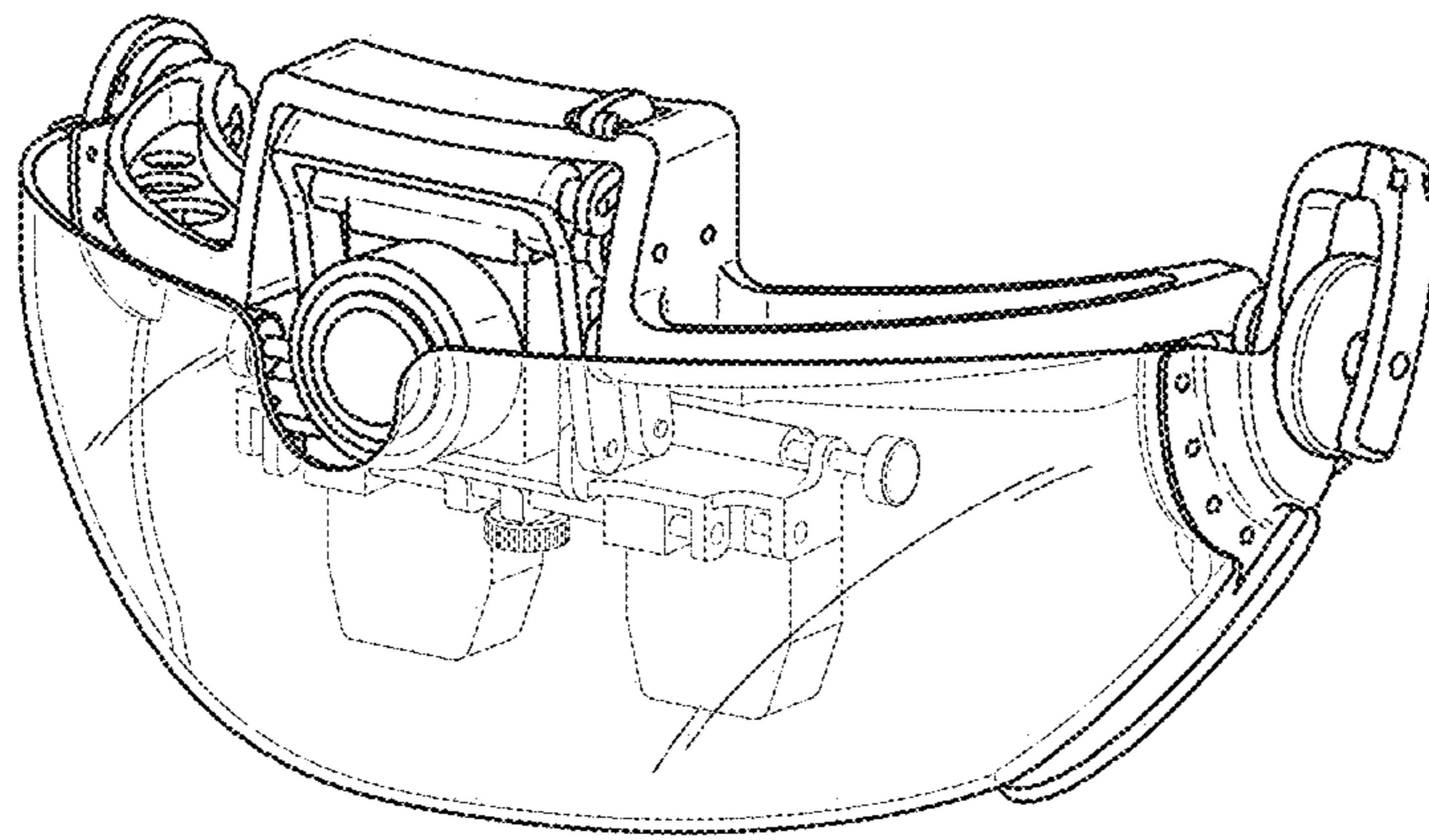


FIG. 1

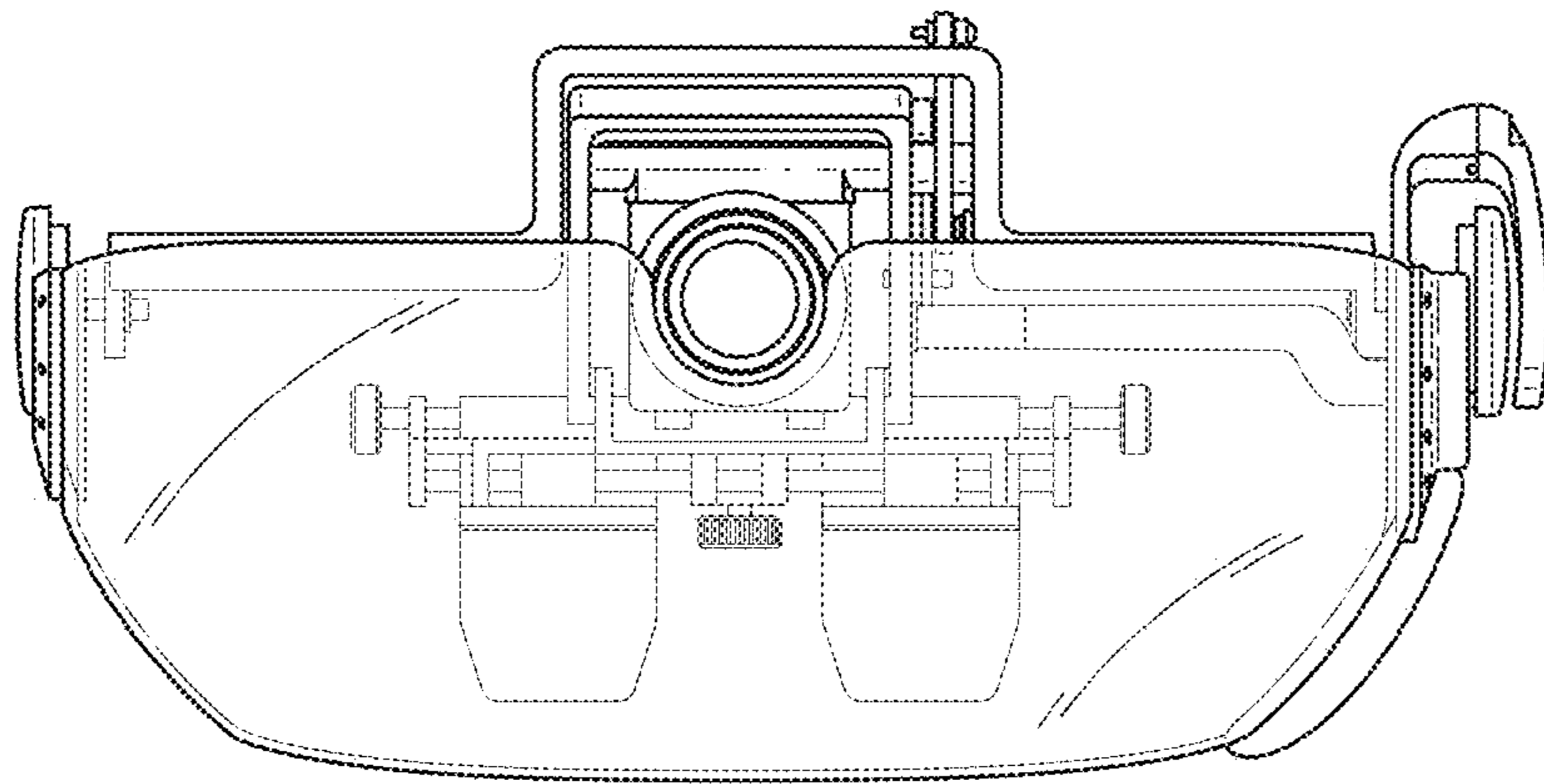


FIG. 2

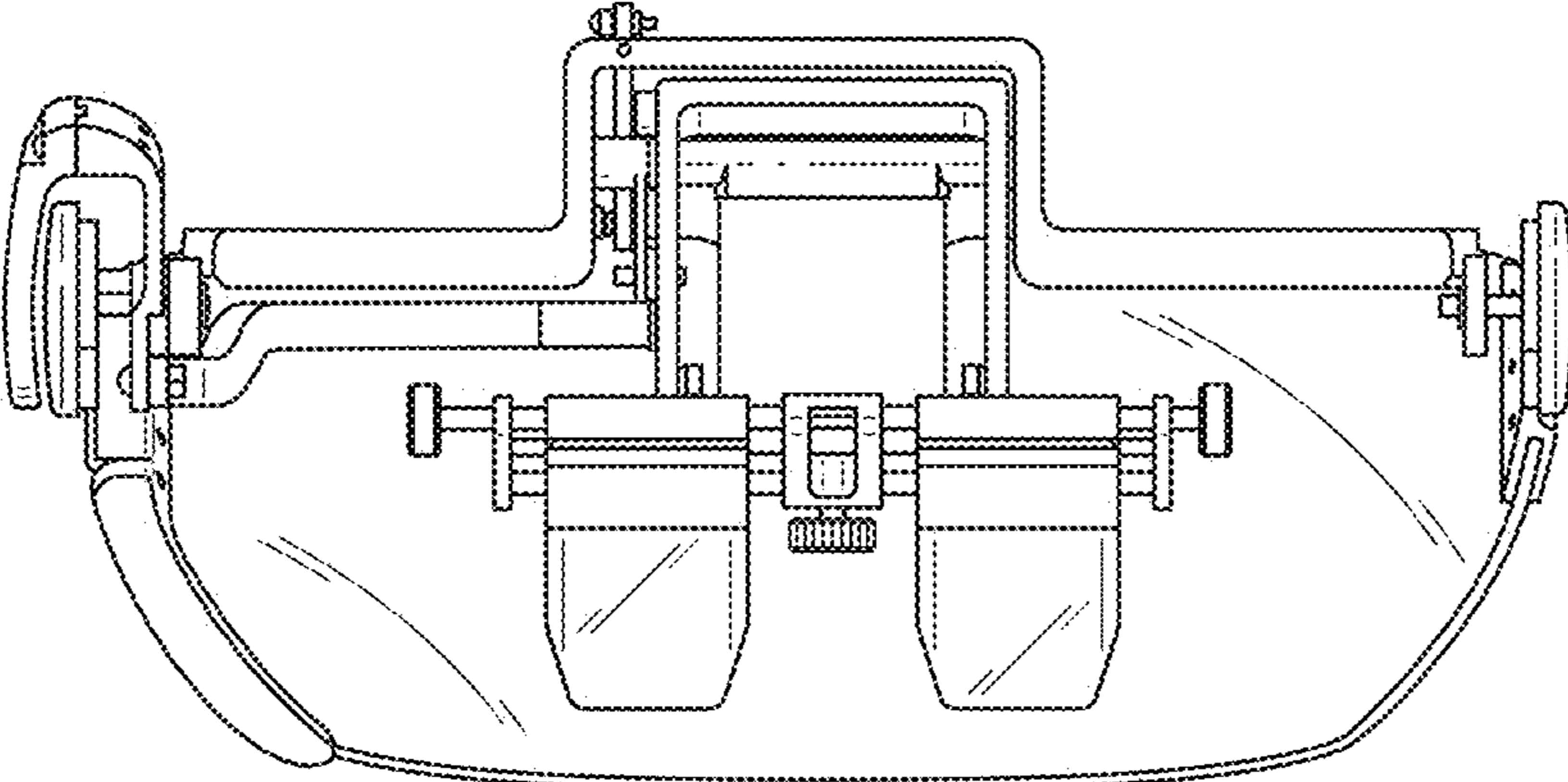


FIG. 3

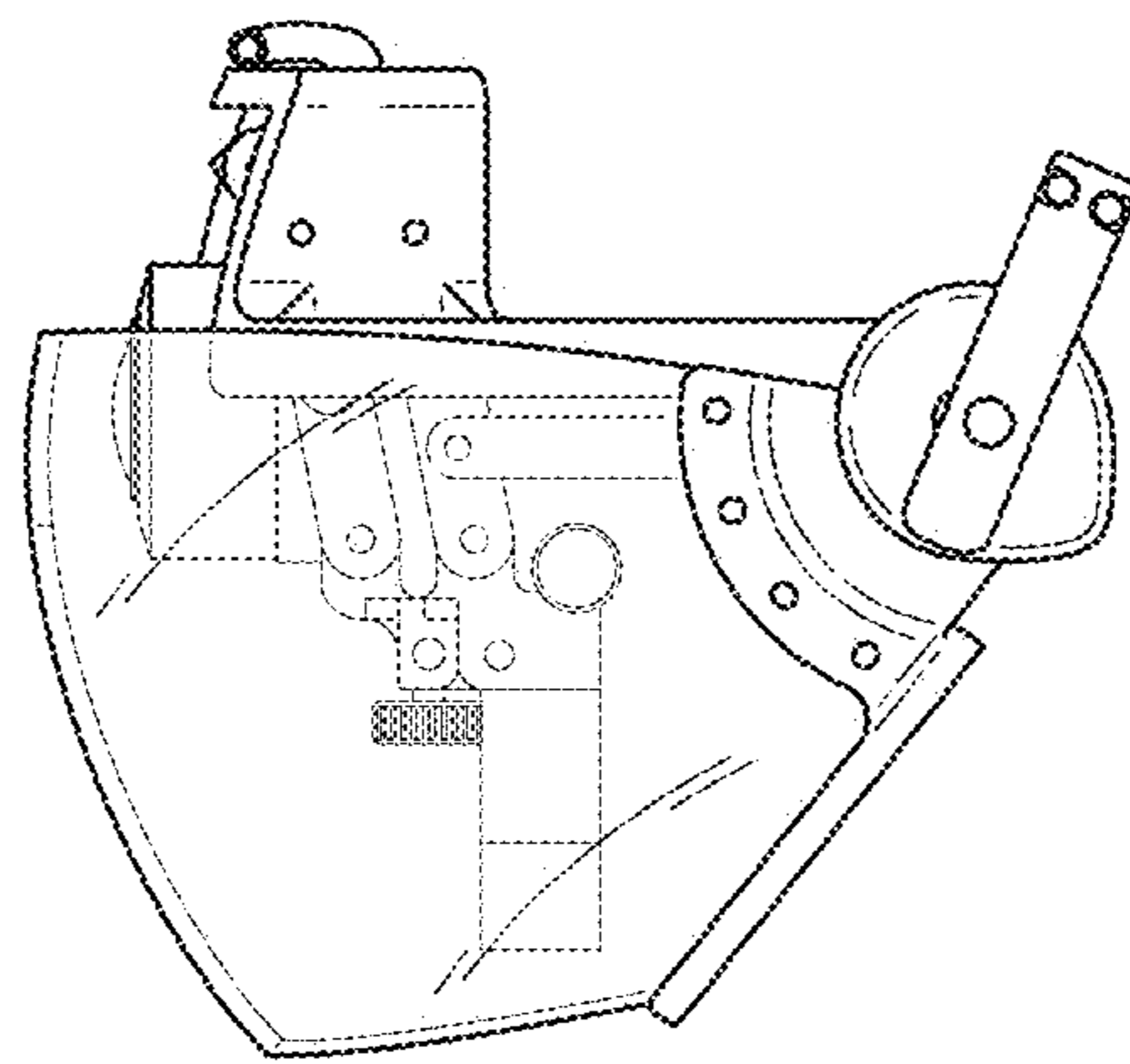


FIG. 4

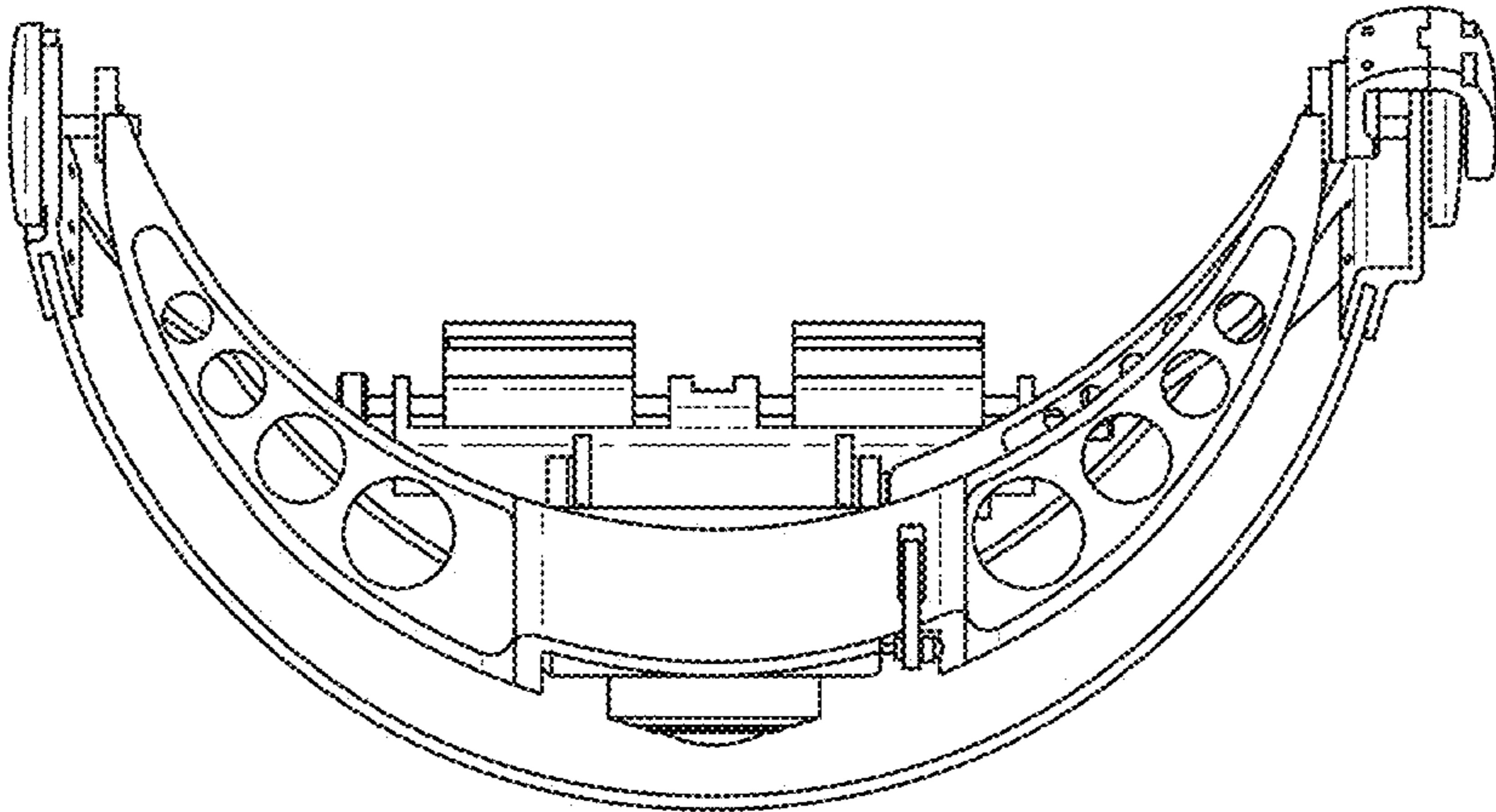


FIG. 5