



US00D908287S

(12) **United States Design Patent**  
**Zheng**

(10) **Patent No.:** **US D908,287 S**

(45) **Date of Patent:** **\*\* Jan. 19, 2021**

(54) **BACK SCRATCHER**

(71) Applicant: **Haian Zheng**, Jingzhou (CN)

(72) Inventor: **Haian Zheng**, Jingzhou (CN)

(\*\*) Term: **15 Years**

(21) Appl. No.: **29/752,397**

(22) Filed: **Sep. 27, 2020**

(51) **LOC (13) Cl.** ..... **28-99**

(52) **U.S. Cl.**  
USPC ..... **D28/91.2**

(58) **Field of Classification Search**  
USPC ..... D24/211, 214, 215; D28/91.2  
CPC ..... A61H 7/00; A61H 7/001; A61H 7/003  
See application file for complete search history.

(56) **References Cited**

U.S. PATENT DOCUMENTS

4,091,805	A *	5/1978	Clark	.....	A61H 7/005 601/136
D342,999	S *	1/1994	Gonsalves, Jr.	.....	D24/147
D369,439	S *	4/1996	Fischer	.....	D24/147
6,830,552	B1 *	12/2004	Gonzalez	.....	A61H 7/003 601/137
D570,547	S	6/2008	Roberts		
D610,311	S *	2/2010	Campbell	.....	D28/91.2
D721,420	S *	1/2015	Hawkins	.....	D23/223
D784,531	S *	4/2017	Malcolm	.....	D24/135

D836,844	S *	12/2018	Rice	.....	D28/91.2
D890,997	S	7/2020	Allen		
2006/0142679	A1 *	6/2006	Tan	.....	A61H 7/001 601/137

OTHER PUBLICATIONS

Amazon Portable Extendable Back Scratcher, 1 page, downloaded Dec. 2020, Reviewed as early as Apr. 2019 (Year: 2019) <https://www.amazon.com/Extendable-Scratcher-OWUDE-Telescoping-Tetractable/dp/B07DVL5795?th=1>.\*

\* cited by examiner

*Primary Examiner* — Jennifer Rivard

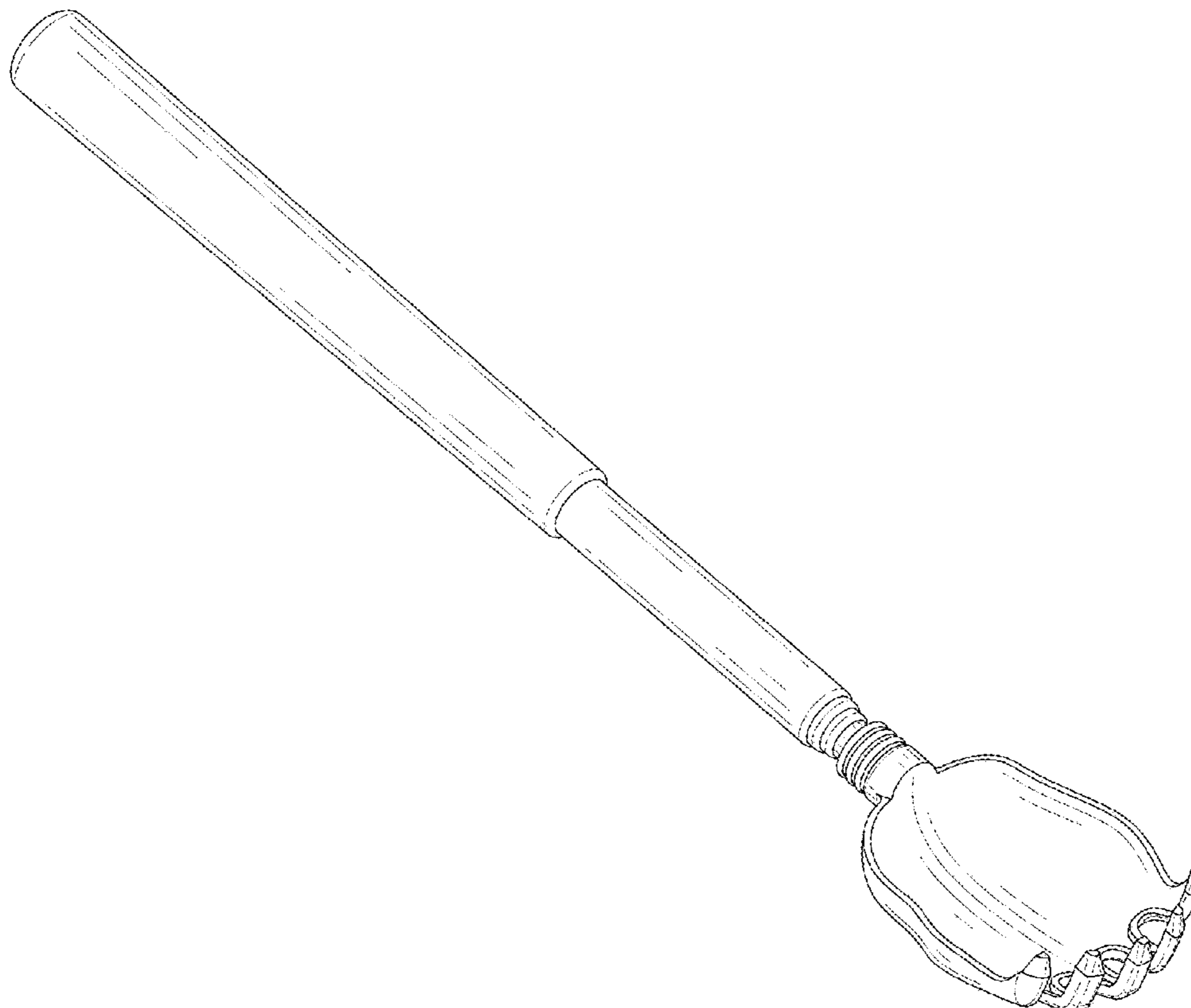
(57) **CLAIM**

The ornamental design for a back scratcher, as shown and described.

**DESCRIPTION**

FIG. 1 is a perspective view of a back scratcher showing my new design;  
FIG. 2 is a front elevational view thereof;  
FIG. 3 is a rear elevational view thereof;  
FIG. 4 is a left side elevational view thereof;  
FIG. 5 is a right side elevational view thereof;  
FIG. 6 is a top plan view thereof;  
FIG. 7 is a bottom plan view thereof; and,  
FIG. 8 is a perspective view of the back scratcher where the back scratcher is in a configuration of use.

**1 Claim, 8 Drawing Sheets**



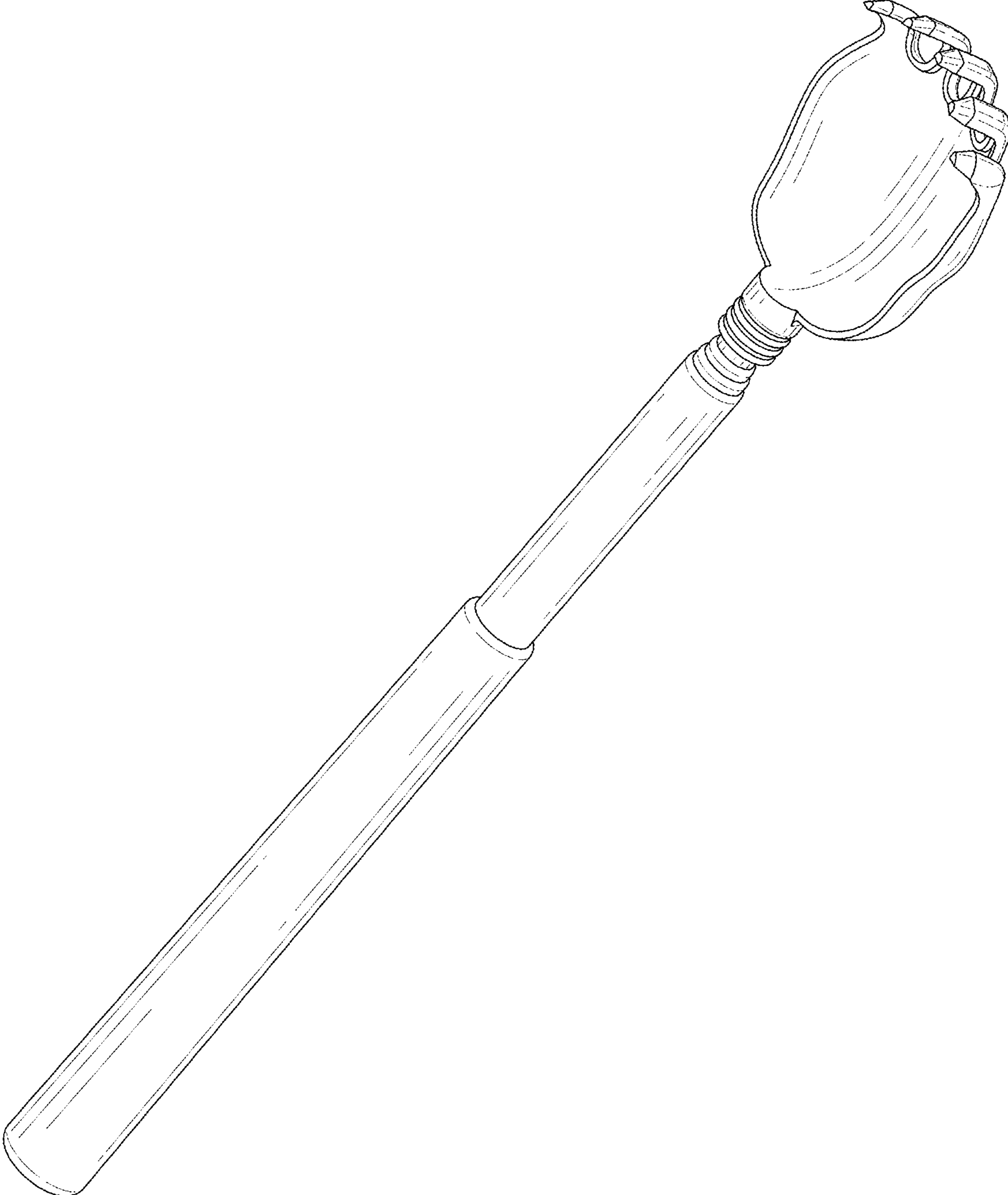


FIG. 1

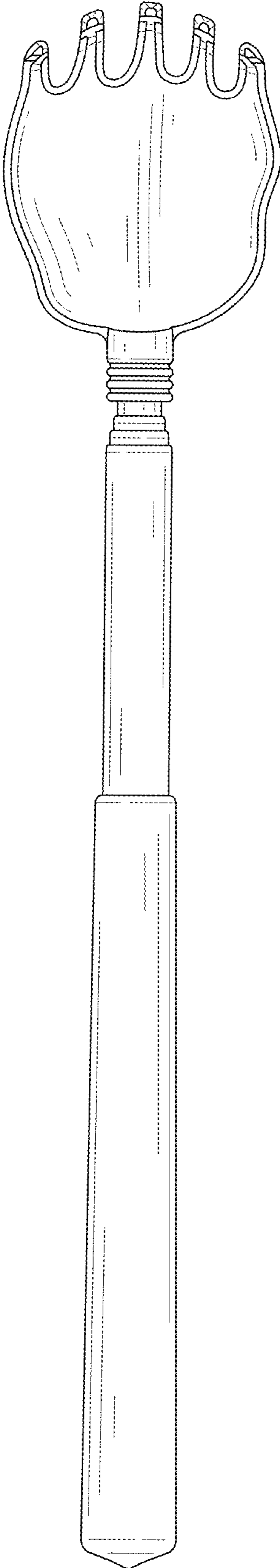


FIG. 2

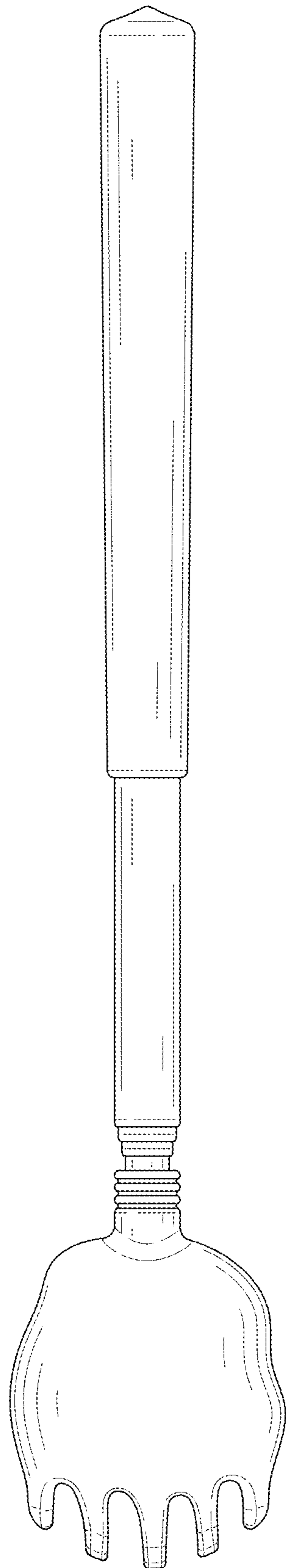


FIG. 3

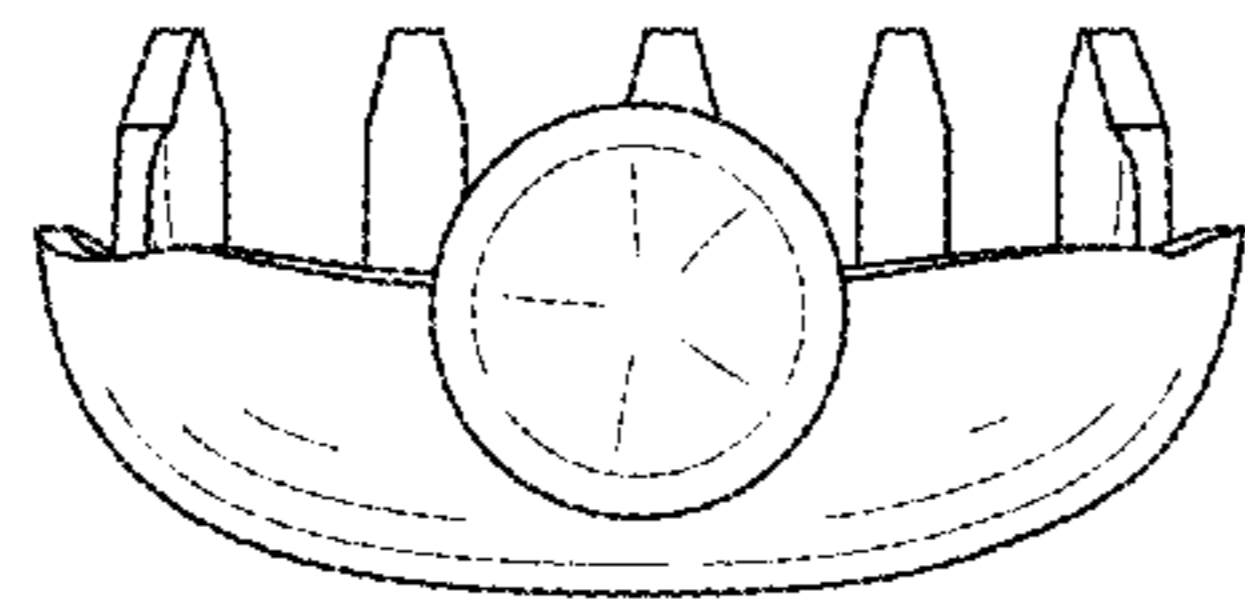


FIG. 4

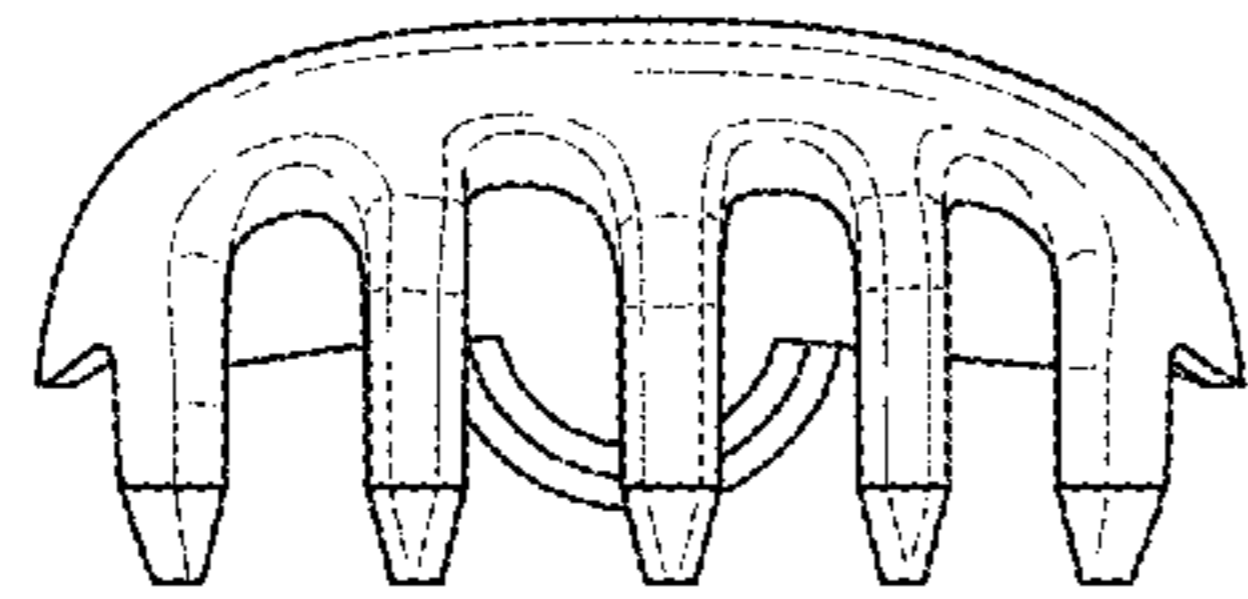


FIG. 5

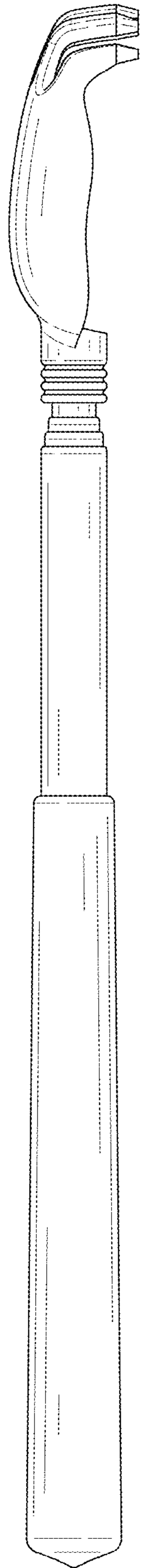


FIG. 6

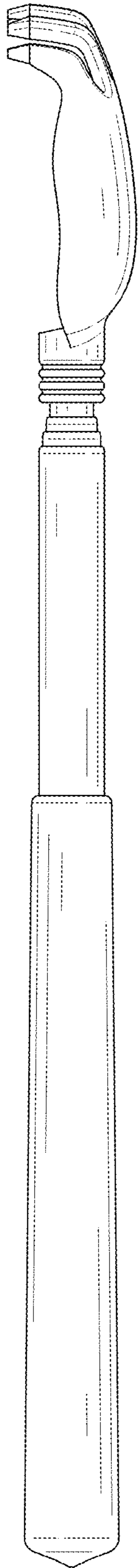


FIG. 7





FIG. 8