



US00D908286S

(12) **United States Design Patent**
Haile

(10) **Patent No.:** **US D908,286 S**

(45) **Date of Patent:** **** Jan. 19, 2021**

(54) **DRILL DOCK**

(71) Applicant: **NAIL ALLIANCE, LLC**, Gladstone,
MO (US)

(72) Inventor: **Danny Lee Haile**, La Habra, CA (US)

(73) Assignee: **NAIL ALLIANCE, LLC**, Gladstone,
MO (US)

(**) Term: **15 Years**

(21) Appl. No.: **29/659,567**

(22) Filed: **Aug. 9, 2018**

(51) **LOC (13) Cl.** **28-03**

(52) **U.S. Cl.**
USPC **D28/61**; D28/58

(58) **Field of Classification Search**
USPC D28/73, 57-58, 61, 62; D13/108
CPC A45D 29/007; A45D 29/05; A45D 29/14;
A45D 29/18; A45D 29/20; H02J 7/0045;
H02J 7/0044

See application file for complete search history.

(56) **References Cited**

U.S. PATENT DOCUMENTS

| | | | | |
|--------------|---------|----------|-------|---------|
| D417,430 S * | 12/1999 | Ko | | D13/107 |
| D417,431 S * | 12/1999 | Okura | | D13/108 |
| D460,971 S * | 7/2002 | Sica | | D14/434 |
| D466,700 S * | 12/2002 | Richmond | | D13/108 |
| D513,341 S * | 12/2005 | Ullmann | | D28/44 |
| D519,682 S * | 4/2006 | Choi | | D28/73 |
| D555,087 S * | 11/2007 | Brefka | | D13/107 |
| D576,547 S * | 9/2008 | Kling | | D13/108 |
| D621,347 S * | 8/2010 | Aulwes | | D13/108 |
| D676,807 S * | 2/2013 | Ino | | D13/108 |
| D687,599 S * | 8/2013 | Amit | | D24/186 |
| D731,707 S * | 6/2015 | Grabes | | D28/44 |
| D750,853 S * | 3/2016 | Smith | | D28/44 |
| D765,913 S * | 9/2016 | Dadon | | D28/58 |

| | | | | |
|-----------------|---------|----------------|-------|-------------|
| D786,789 S * | 5/2017 | Jordan | | D13/108 |
| D818,994 S * | 5/2018 | Yun | | D14/224 |
| D822,280 S * | 7/2018 | Dadon | | D28/58 |
| 10,010,114 B2 * | 7/2018 | Jordan | | H02J 7/0044 |
| D828,807 S * | 9/2018 | Yohai-Giochais | | D13/108 |
| D858,438 S * | 9/2019 | Levy | | D13/108 |
| D869,393 S * | 12/2019 | Urasini | | D13/108 |
| D878,085 S * | 3/2020 | Werner | | D6/526 |
| D880,419 S * | 4/2020 | Hernandez | | D13/108 |

(Continued)

OTHER PUBLICATIONS

<https://www.youtube.com/watch?v=llbb6qHG1kc> Gelish Go File,
www.youtube.com, 1 page, downloaded Apr. 7, 2020, reviewed
Mar. 11, 2019 (Year: 2019).*

(Continued)

Primary Examiner — Jennifer Rivard

(74) *Attorney, Agent, or Firm* — Polsinelli PC

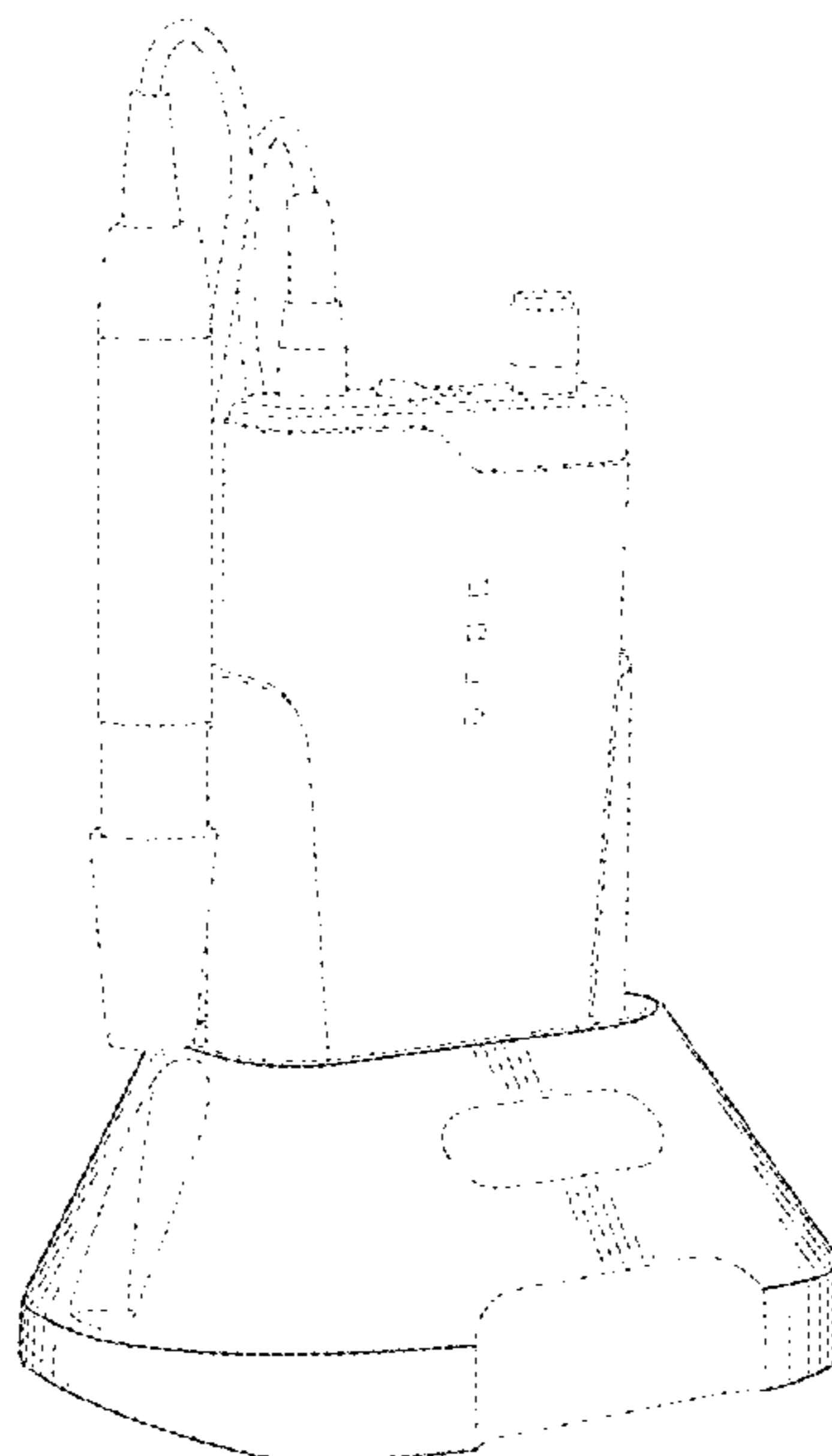
(57) **CLAIM**

I claim the ornamental design for a drill dock, as shown and
described.

DESCRIPTION

FIG. 1 is an isometric view of an embodiment of a drill dock,
showing my new design, showing a drill receivable therein;
FIG. 2 is an isometric view of a drill dock;
FIG. 3 is a top plan view thereof;
FIG. 4 is a bottom plan view thereof;
FIG. 5 is a right side view thereof;
FIG. 6 is a left side view thereof;
FIG. 7 is a front elevational view thereof; and,
FIG. 8 is a rear elevational view thereof;
The electric nail file and battery shown in broken lines
illustrate the environment of the drill dock. The remaining
broken lines illustrate portions of the drill dock. None of the
broken lines forms parts of the claimed design.

1 Claim, 5 Drawing Sheets



(56)

References Cited

U.S. PATENT DOCUMENTS

2020/0052514 A1* 2/2020 Haile A45D 29/05

OTHER PUBLICATIONS

Touchbeauty Nail file drill, www.amazon.com, 1 page, downloaded Apr. 7, 2020, reviewed as early as Sep. 2017 (Year: 2017) https://www.amazon.com/TOUCHBeauty-Professional-Fingernails-Attachment-TB-1335/dp/B00X5TO69E/ref=sr_1_5?dchild=1&keywords=touchbeauty%2Bnail%2Bdrill&qid=1586287511&s=beauty&sr=1-5&th=1.*

* cited by examiner

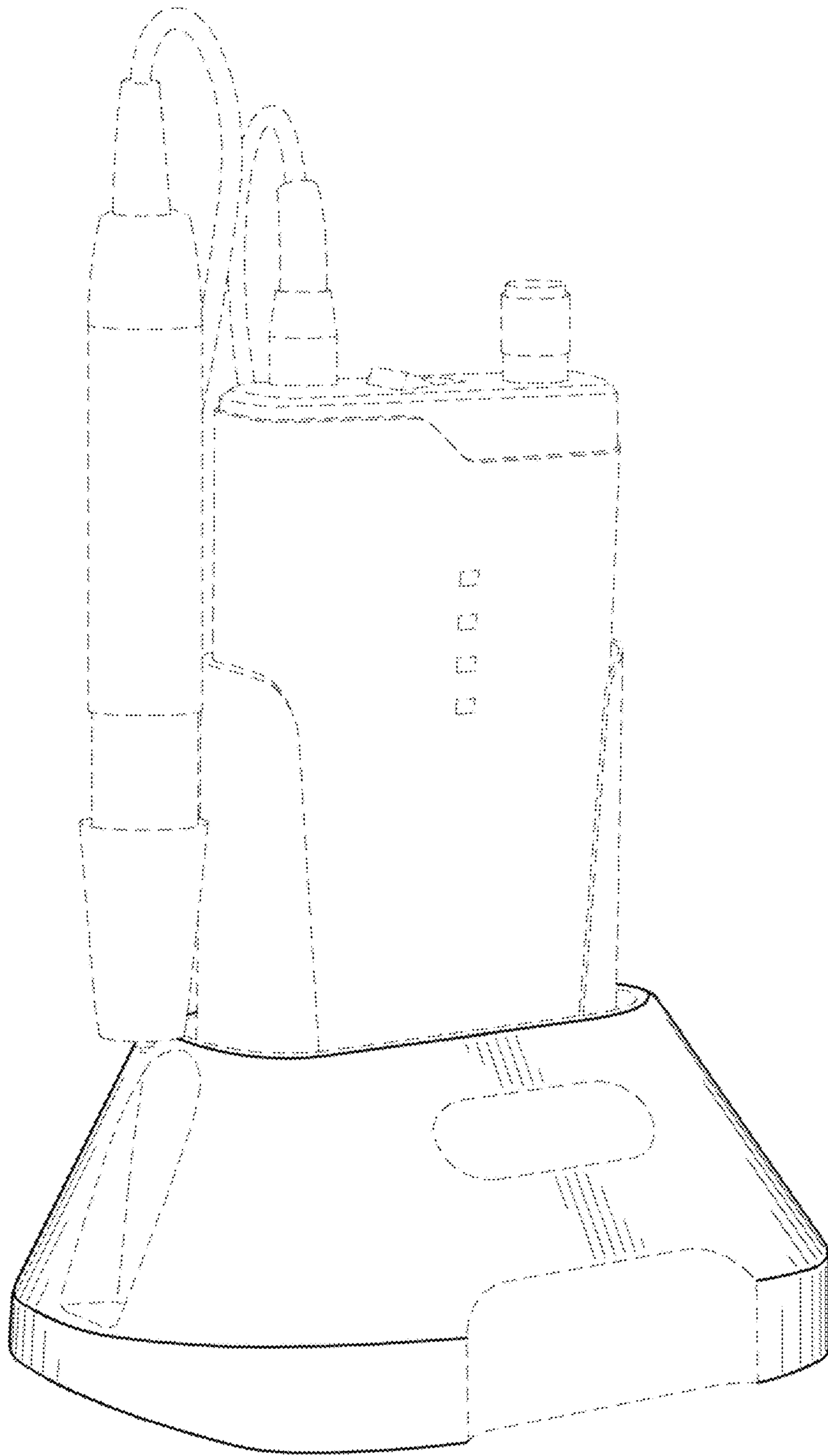


Fig. 1

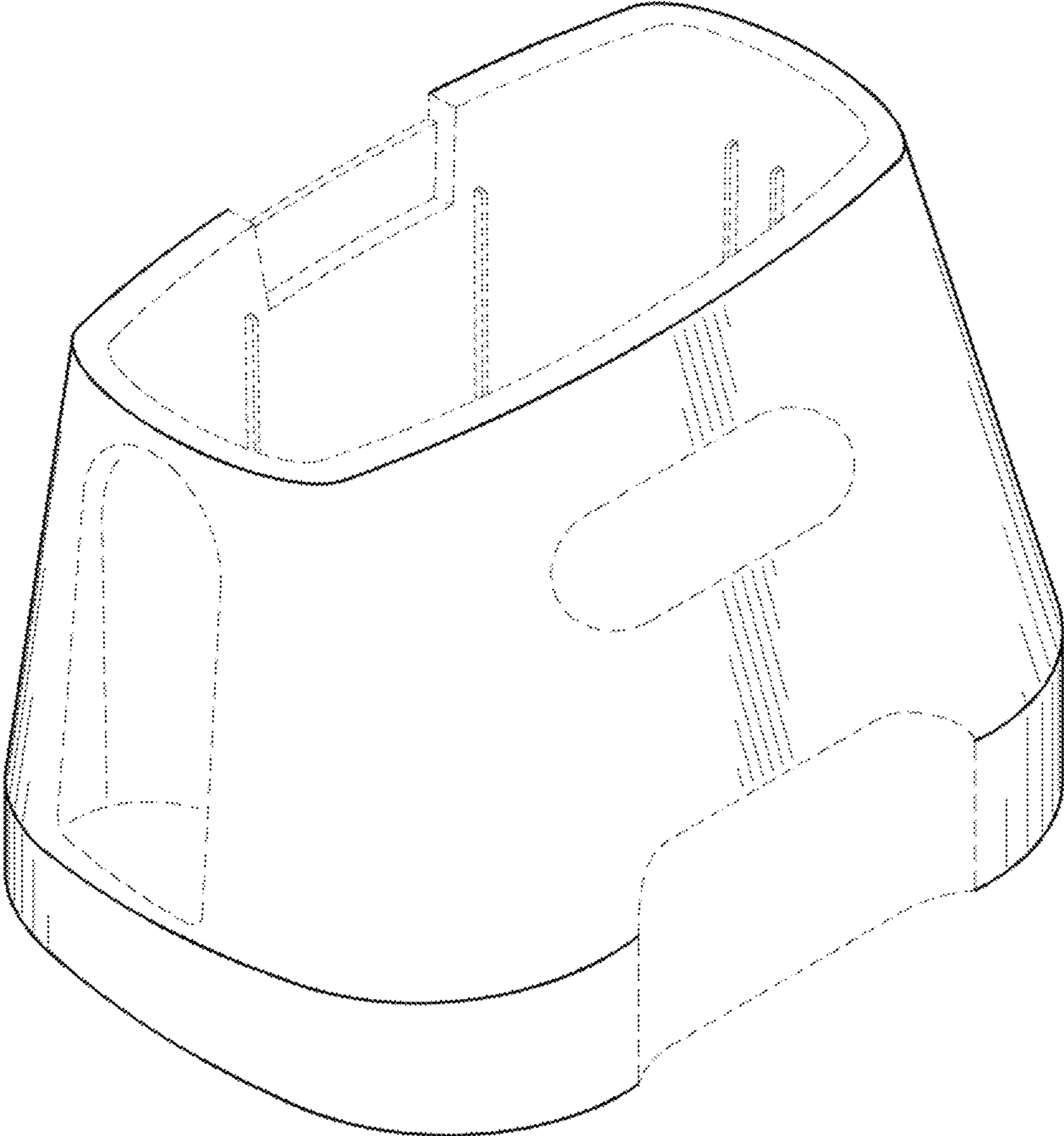


Fig. 2

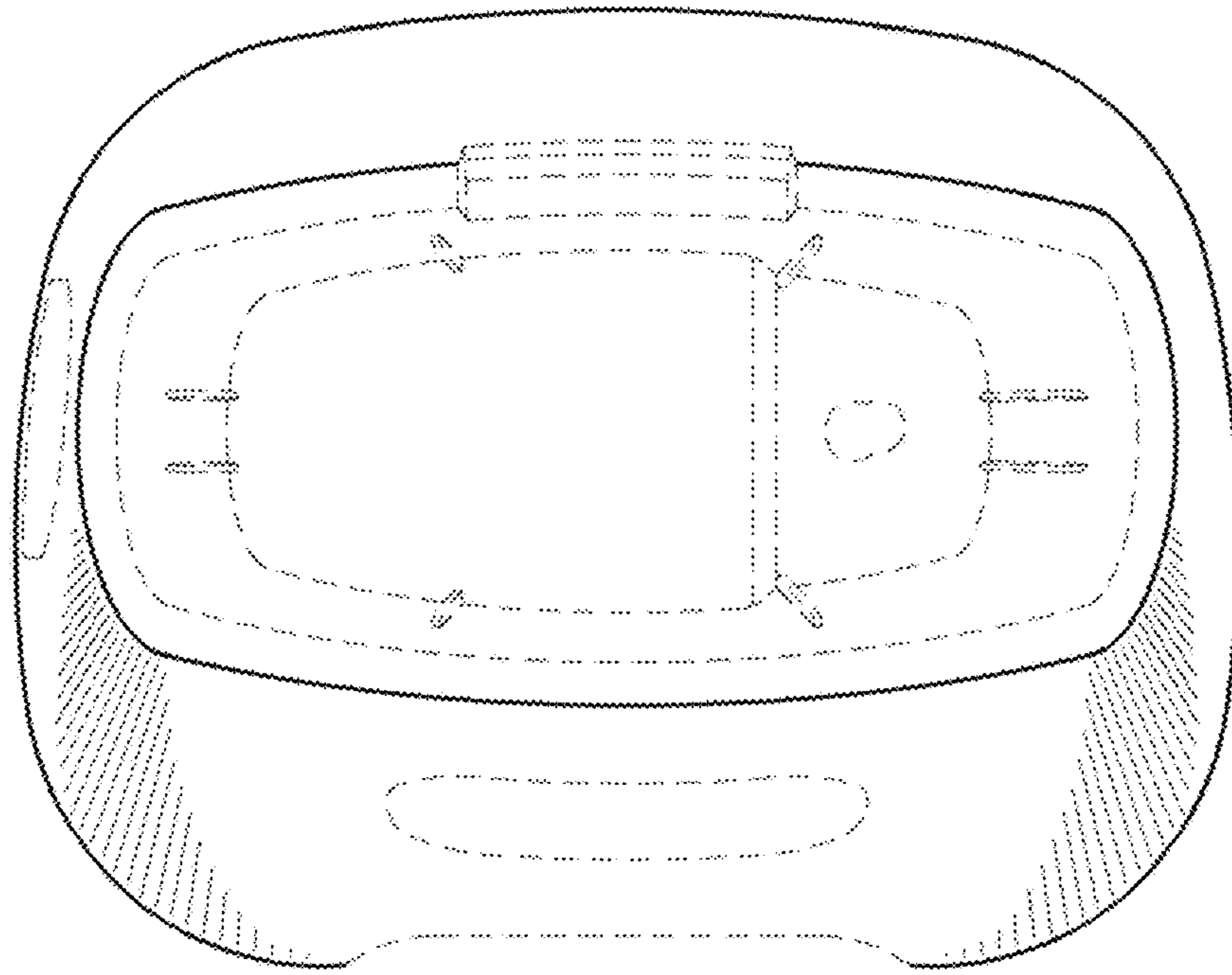


Fig. 3

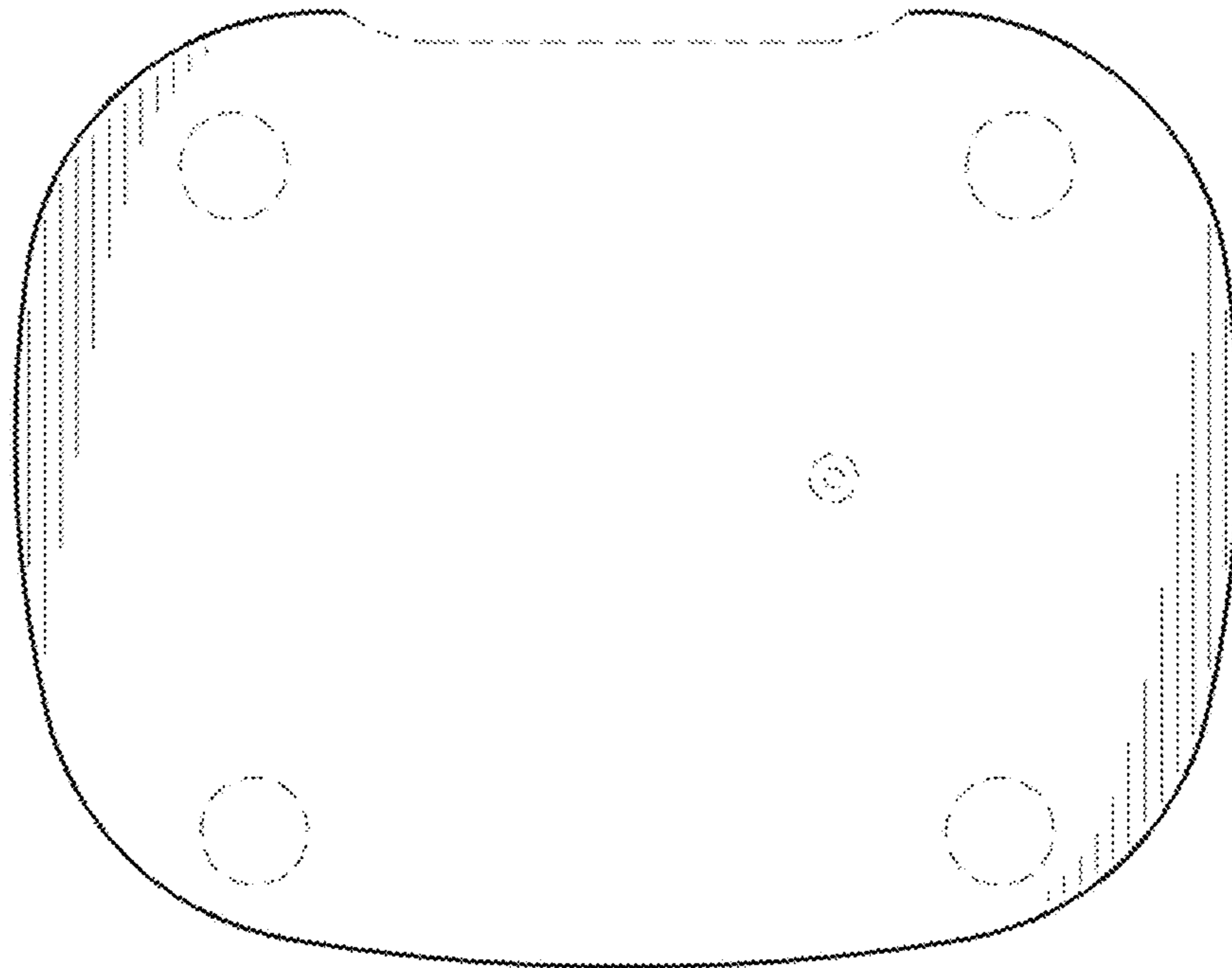


Fig. 4

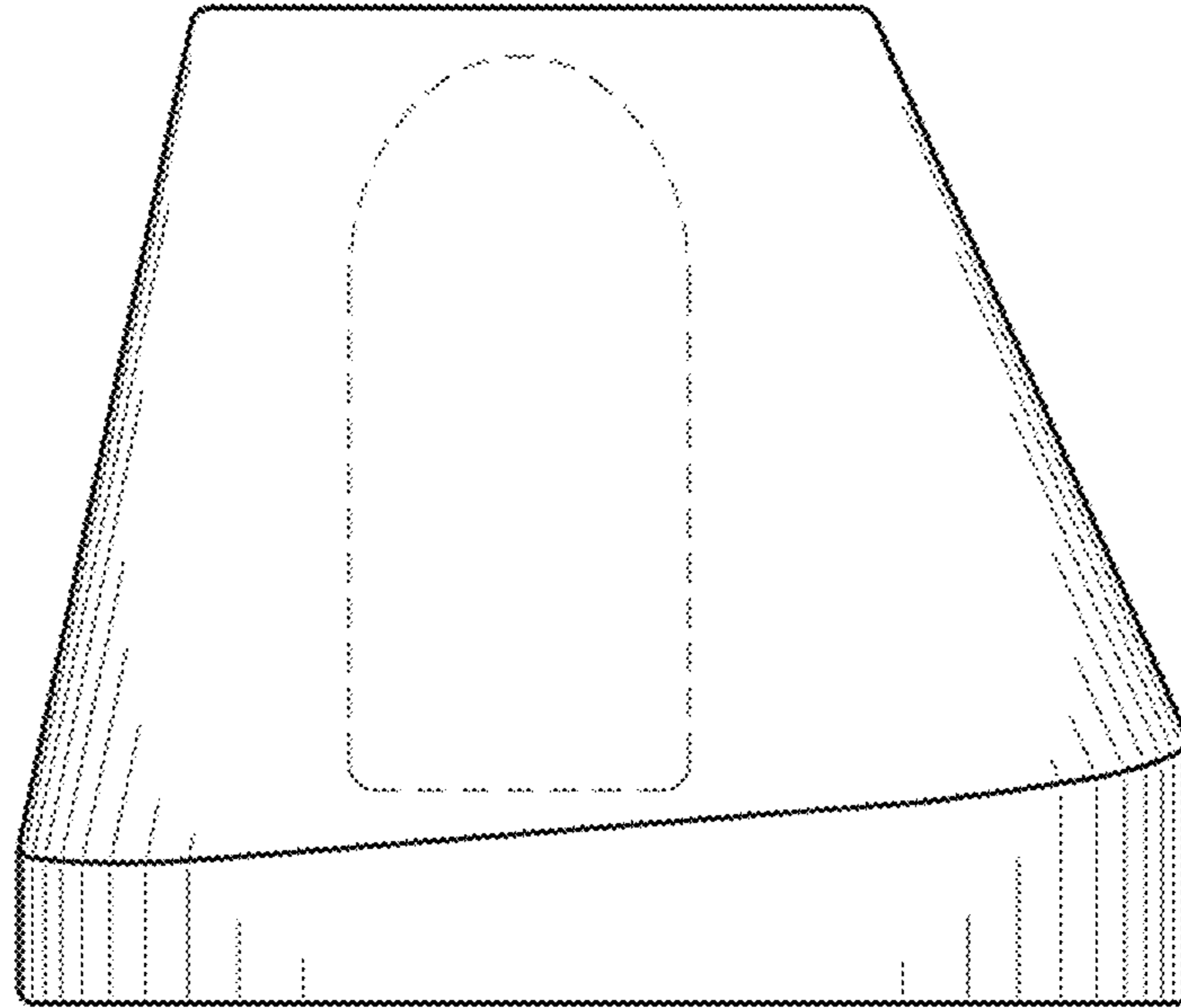


Fig. 5

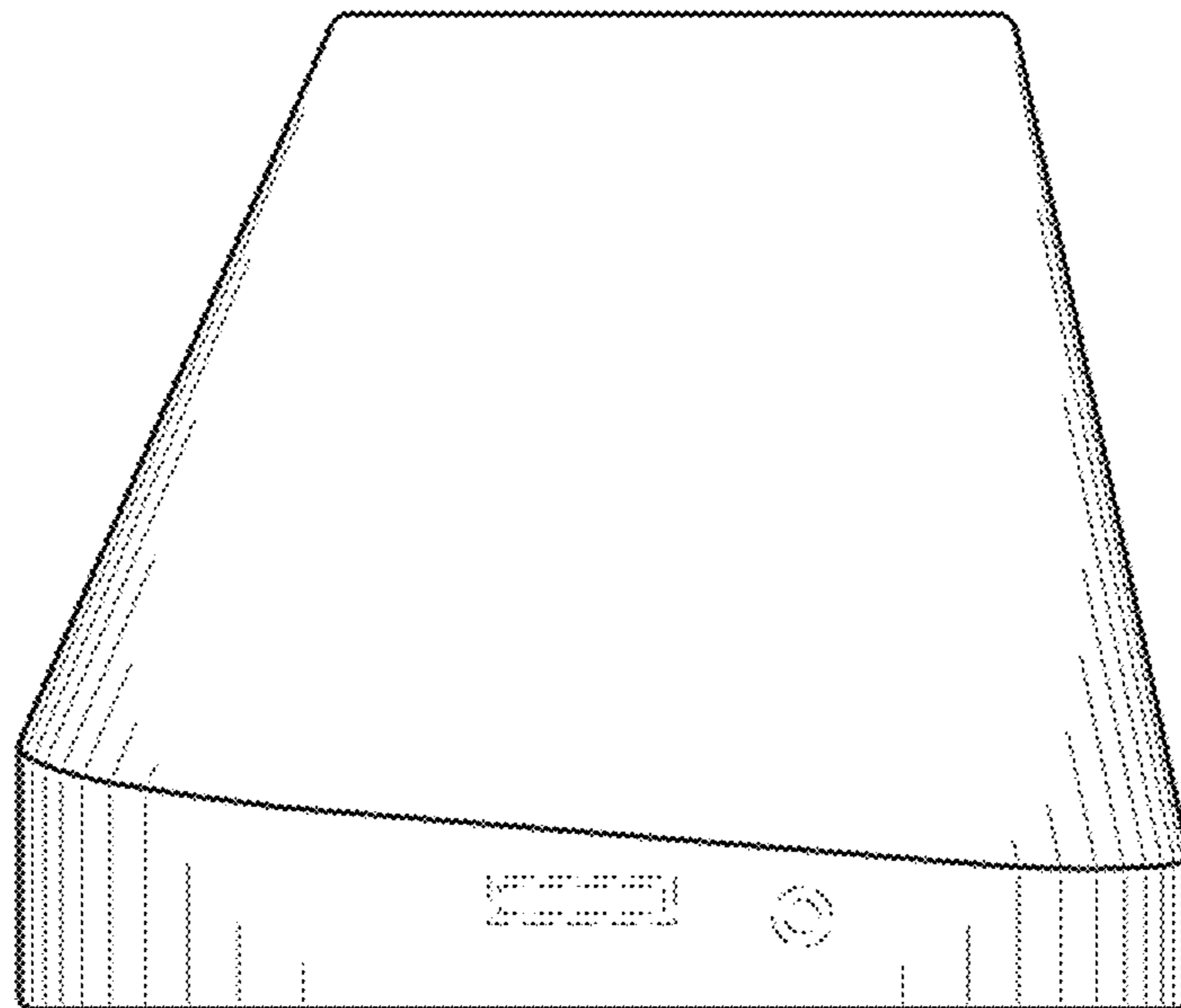


Fig. 6

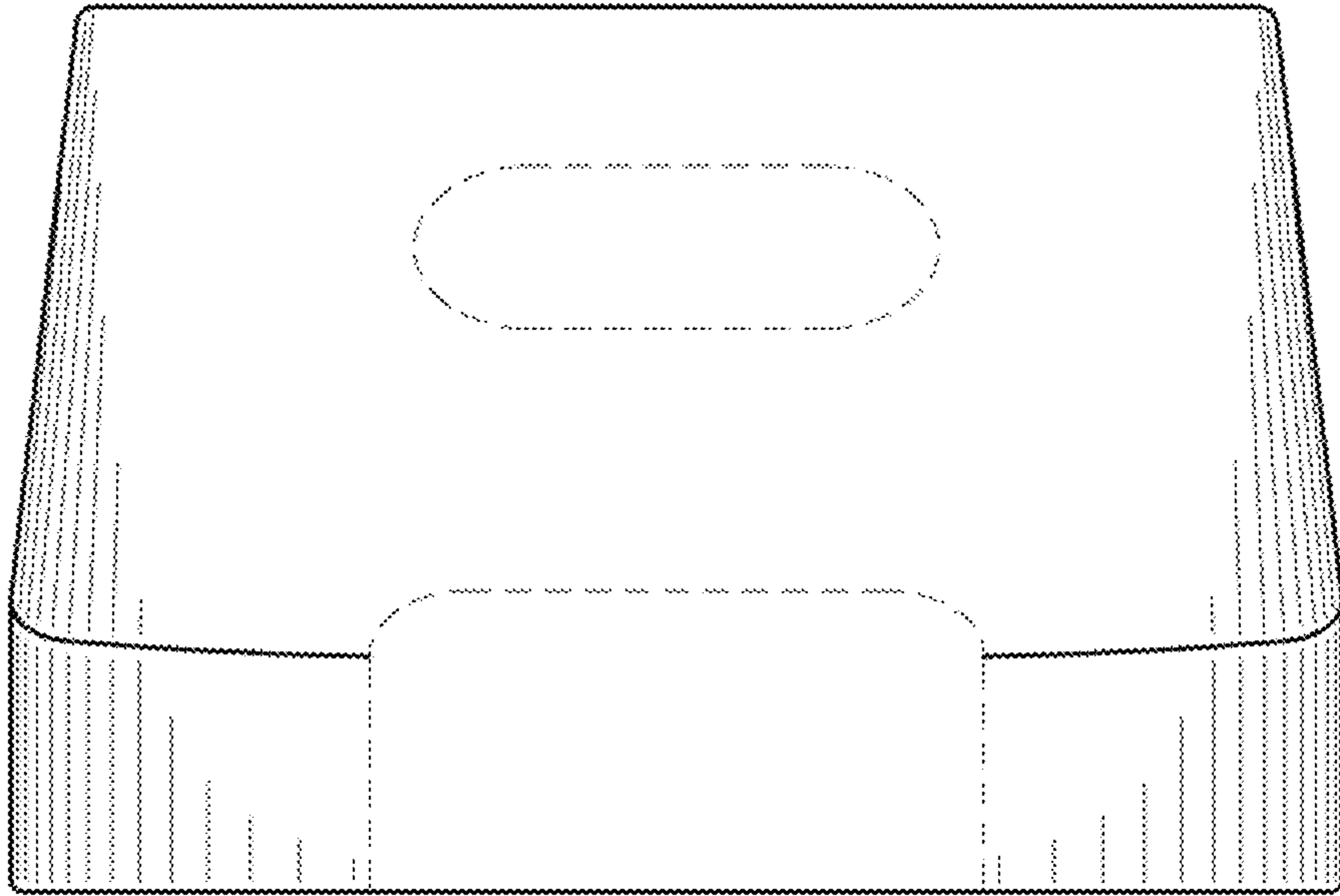


Fig. 7

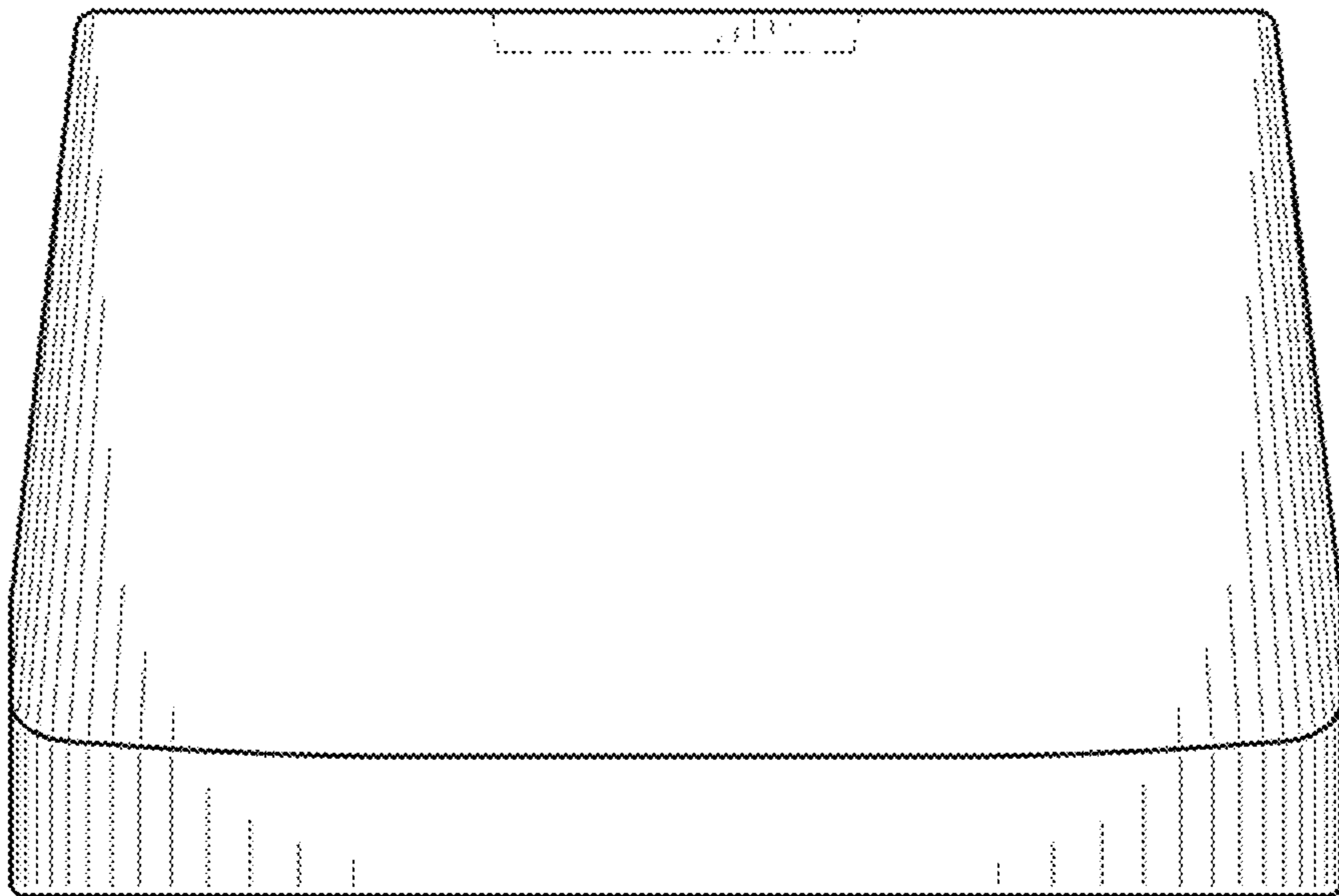


Fig. 8