



US00D908285S

(12) **United States Design Patent** (10) **Patent No.:** **US D908,285 S**
Cataudella et al. (45) **Date of Patent:** **** Jan. 19, 2021**

(54) **SHAVING RAZOR CARTRIDGE**

(56) **References Cited**

(71) Applicant: **The Gillette Company LLC**, Boston, MA (US)

U.S. PATENT DOCUMENTS

(72) Inventors: **Matthew Corey Cataudella**, Boston, MA (US); **Alison Fiona Stephens**, Cookham (GB); **Paul Leslie Warwick**, Reading (GB)

D343,254 S	1/1994	Miller et al.
D403,811 S	1/1999	Brown et al.
5,903,979 A	5/1999	Oldroyd
6,167,625 B1	1/2001	King et al.
6,568,082 B2	5/2003	Pouette et al.
6,792,682 B2	9/2004	Follo
D512,186 S	11/2005	Kling
D524,482 S	7/2006	Fischer et al.
D524,986 S	7/2006	Prudden, Jr.
D533,684 S	12/2006	Gray et al.
7,540,087 B2	6/2009	Rawle
D604,904 S	11/2009	Watson
D625,883 S	10/2010	Wonderley
D627,100 S	11/2010	Kinard et al.
D627,101 S	11/2010	Kinard et al.
D627,518 S	11/2010	Kinard et al.
D631,198 S	1/2011	Adams et al.
D634,474 S	3/2011	Wilby
D638,580 S	5/2011	Adams et al.
D643,976 S	8/2011	Wonderley et al.
D648,075 S	11/2011	Wonderley et al.
D662,661 S	6/2012	Corbeil et al.

(73) Assignee: **The Gillette Company LLC**, Boston, MA (US)

(**) Term: **15 Years**

(21) Appl. No.: **29/634,512**

(22) Filed: **Jan. 23, 2018**

Related U.S. Application Data

(62) Division of application No. 29/570,277, filed on Jul. 7, 2016, now Pat. No. Des. 811,658, which is a division of application No. 29/549,237, filed on Dec. 21, 2015, now Pat. No. Des. 764,101, which is a division of application No. 29/489,908, filed on May 5, 2014, now Pat. No. Des. 749,265, which is a division of application No. 29/446,936, filed on Feb. 28, 2013, now Pat. No. Des. 707,885.

(51) **LOC (13) Cl.** **28-03**

(52) **U.S. Cl.**
USPC **D28/47**

(58) **Field of Classification Search**
USPC D28/45-48
CPC B26B 21/00-06; B26B 21/08-227; B26B 21/24-28; B26B 21/30-38; B26B 21/40-4093; B26B 21/52-528

See application file for complete search history.

(Continued)

Primary Examiner — Jennifer Rivard

(74) *Attorney, Agent, or Firm* — John M. Lipchitz

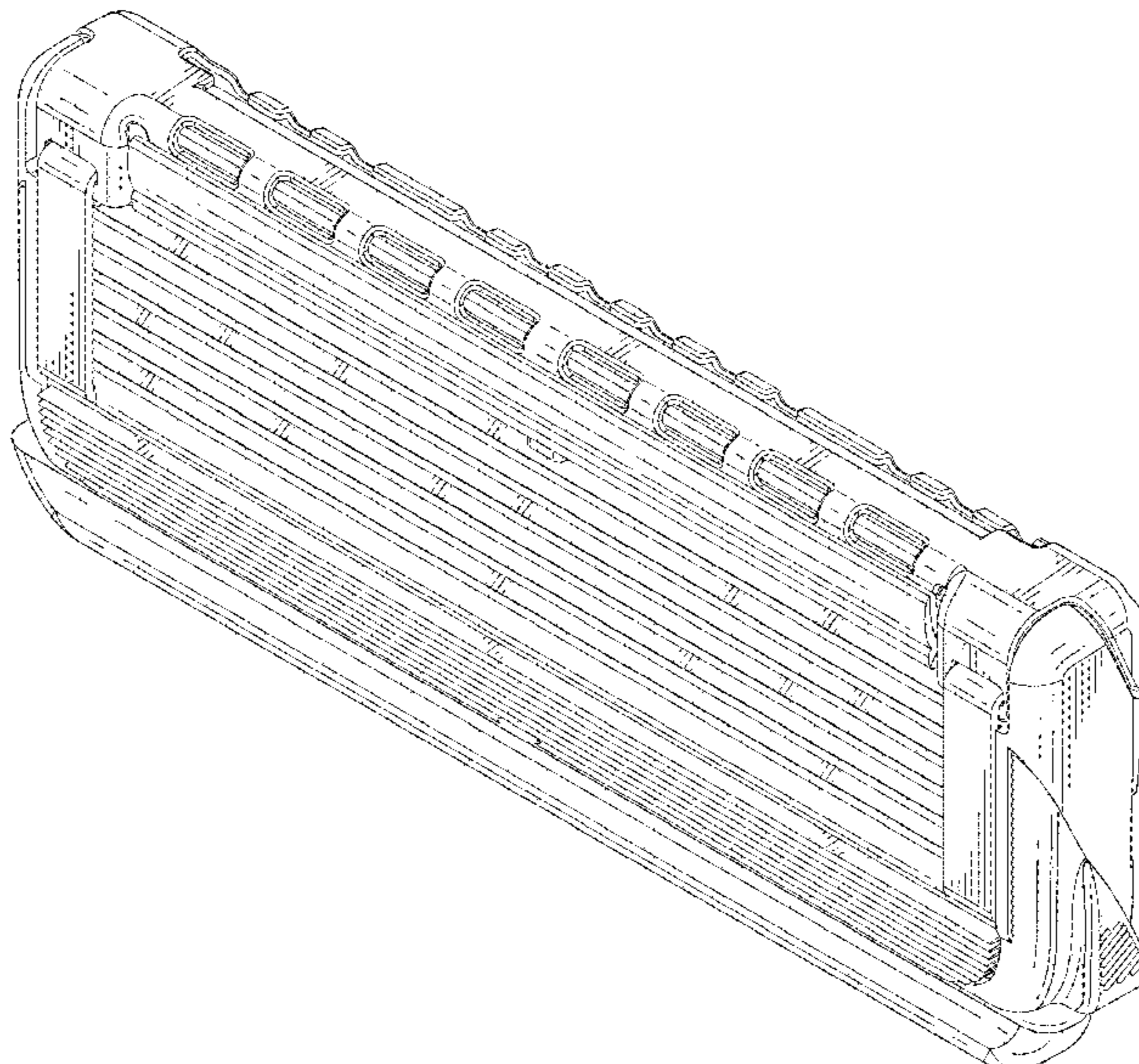
(57) **CLAIM**

The ornamental design for a shaving razor cartridge, as shown and described.

DESCRIPTION

FIG. 1 is a perspective view of a shaving razor cartridge showing our new design;
FIG. 2 is a top view thereof;
FIG. 3 is a bottom view thereof;
FIG. 4 is a left view thereof;
FIG. 5 is a right view thereof; and,
FIG. 6 is a front view thereof.
The broken lines illustrate portions of the shaving razor cartridge and form no part of the claimed design.

1 Claim, 5 Drawing Sheets



(56)

References Cited

U.S. PATENT DOCUMENTS

8,225,510	B2	7/2012	Peterson	
D665,130	S	8/2012	Wain et al.	
D674,137	S	1/2013	Wilby et al.	
8,359,752	B2	1/2013	Bridges	
8,448,338	B2	5/2013	Sherman	
8,448,339	B2	5/2013	Walker, Jr.	
D707,885	S	6/2014	Cataudella	
8,745,877	B2	6/2014	Szczepanowski	
8,931,176	B2	1/2015	Johnson	
9,193,078	B2	11/2015	Worrick, III	
D749,265	S	2/2016	Cataudella	
9,296,117	B2	3/2016	Fathallah	
9,308,657	B2	4/2016	Bruno	
D764,101	S	8/2016	Cataudella et al.	
9,475,201	B2	10/2016	Georgakis et al.	
D811,658	S *	2/2018	Cataudella	D28/47
D829,380	S *	9/2018	Kong	D28/47
D843,059	S *	3/2019	Lettenberger	D28/47
2007/0062044	A1	3/2007	Walker et al.	
2007/0062047	A1	3/2007	Zhuk et al.	
2010/0077619	A1	4/2010	Follo et al.	
2011/0258856	A1	10/2011	Walker et al.	
2012/0151772	A1	6/2012	Moon et al.	
2015/0273708	A1	10/2015	Haba	
2015/0273709	A1	10/2015	Carneiro et al.	
2016/0001454	A1	1/2016	Coresh	
2016/0129603	A1	5/2016	Antoniou et al.	
2016/0151924	A1	6/2016	Gers-Barlag et al.	
2016/0158948	A1	6/2016	Eagleton et al.	
2016/0158949	A1	6/2016	Eagleton et al.	
2016/0199991	A1	7/2016	Nicholas	
2016/0199992	A1	7/2016	Nicholas et al.	
2016/0332313	A1	11/2016	O'Connor et al.	
2016/0375597	A1	12/2016	Broemse et al.	
2018/0071931	A1 *	3/2018	Walker, Jr.	B26B 21/222

* cited by examiner

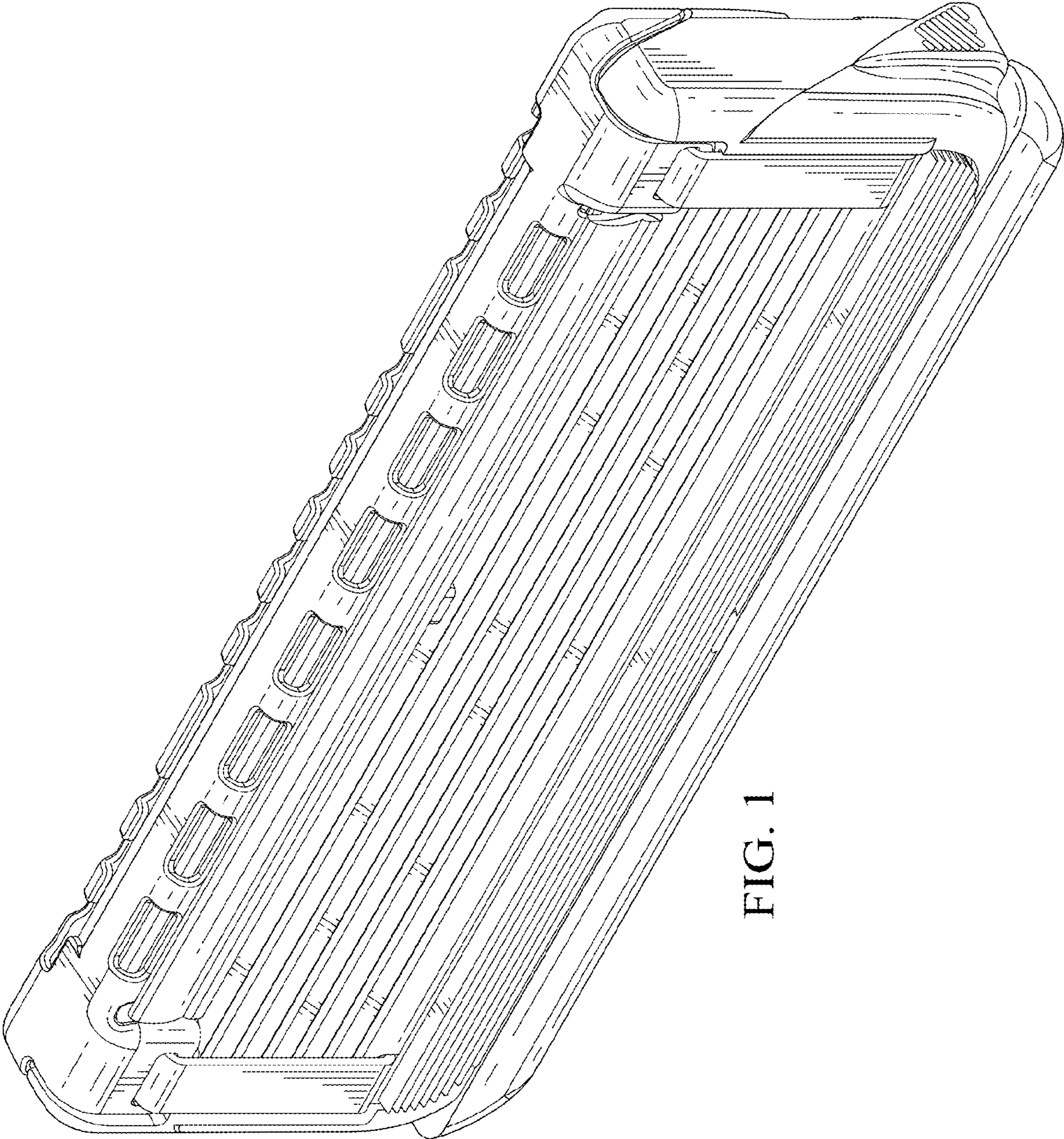


FIG. 1

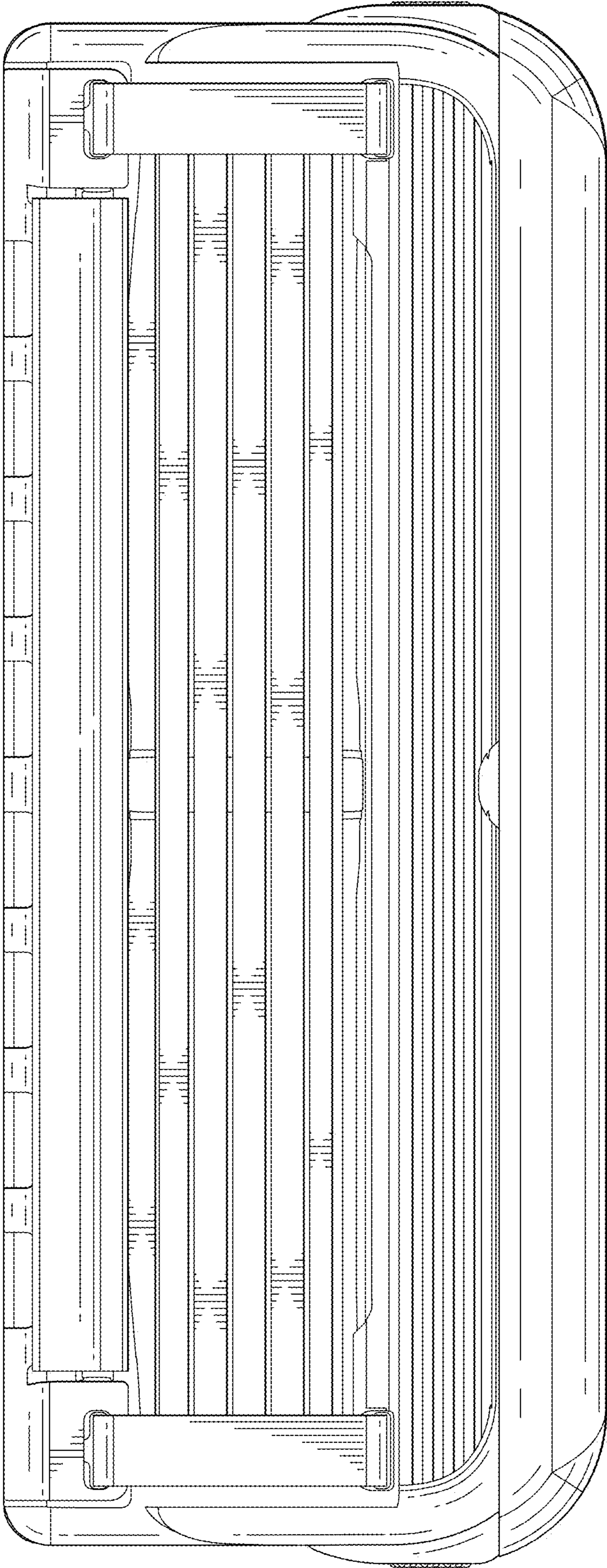


FIG. 2

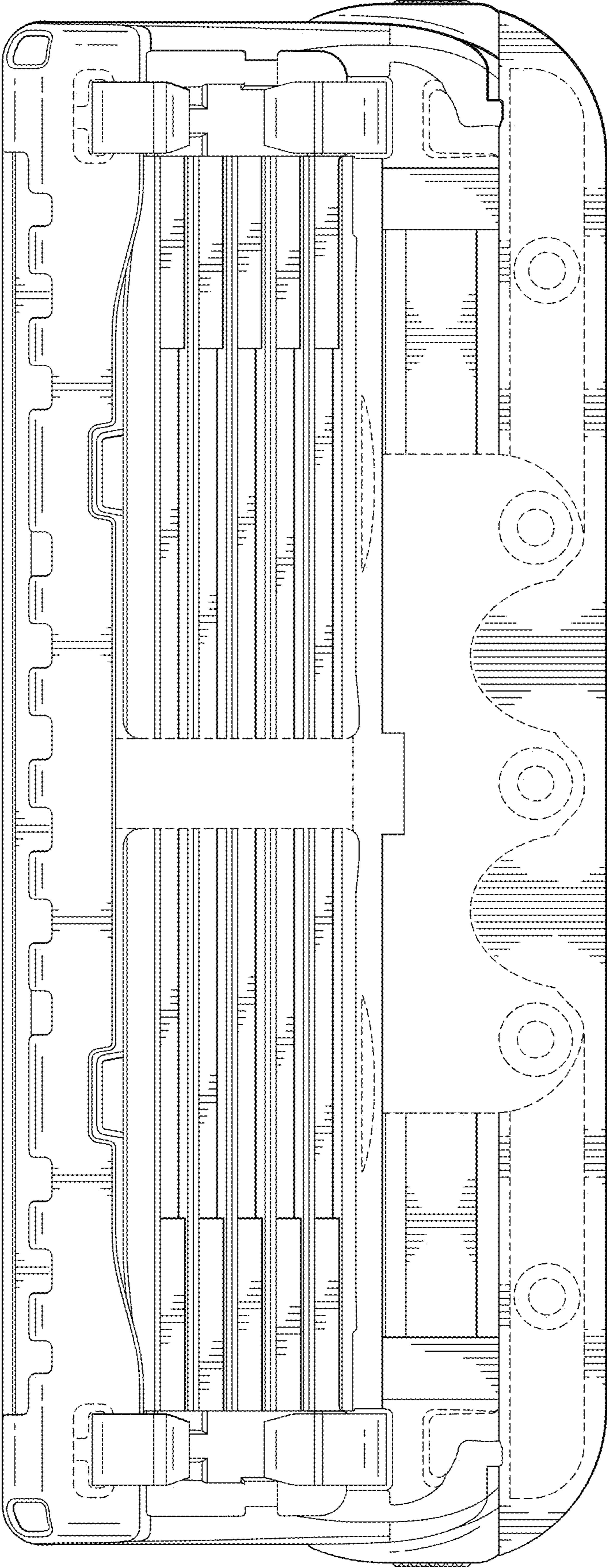


FIG. 3

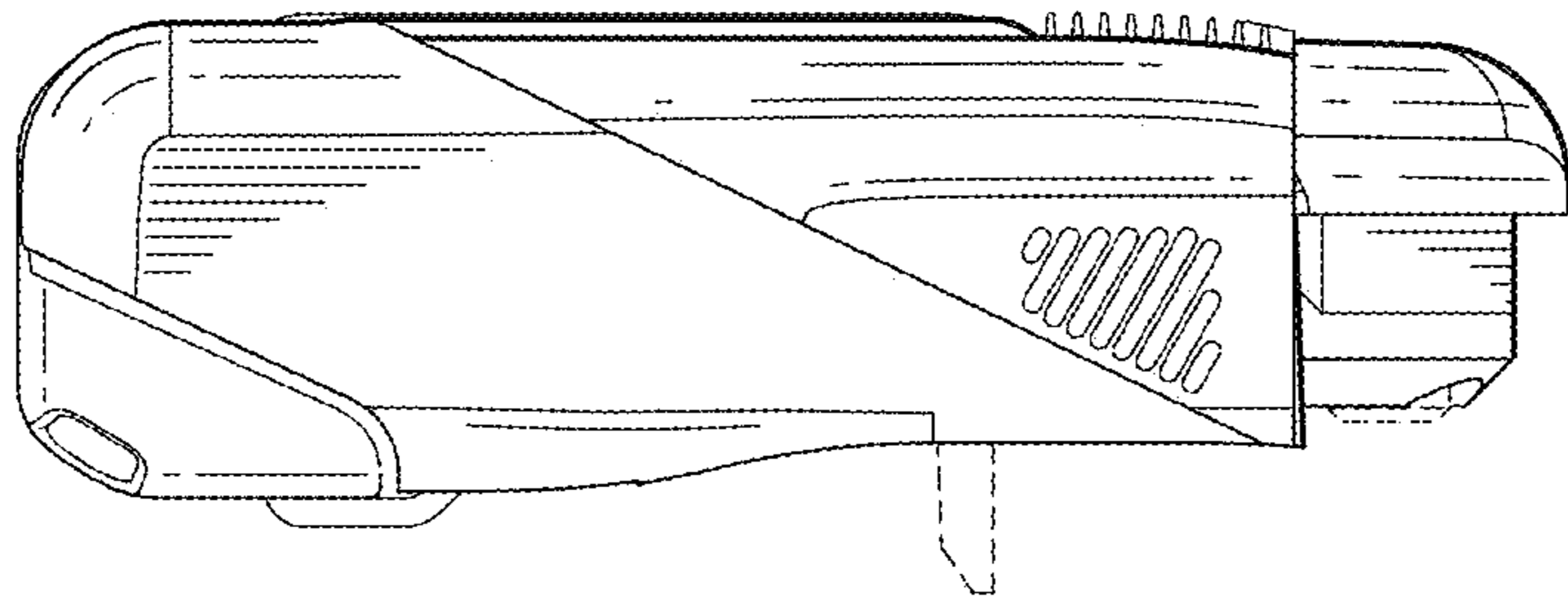


FIG. 5

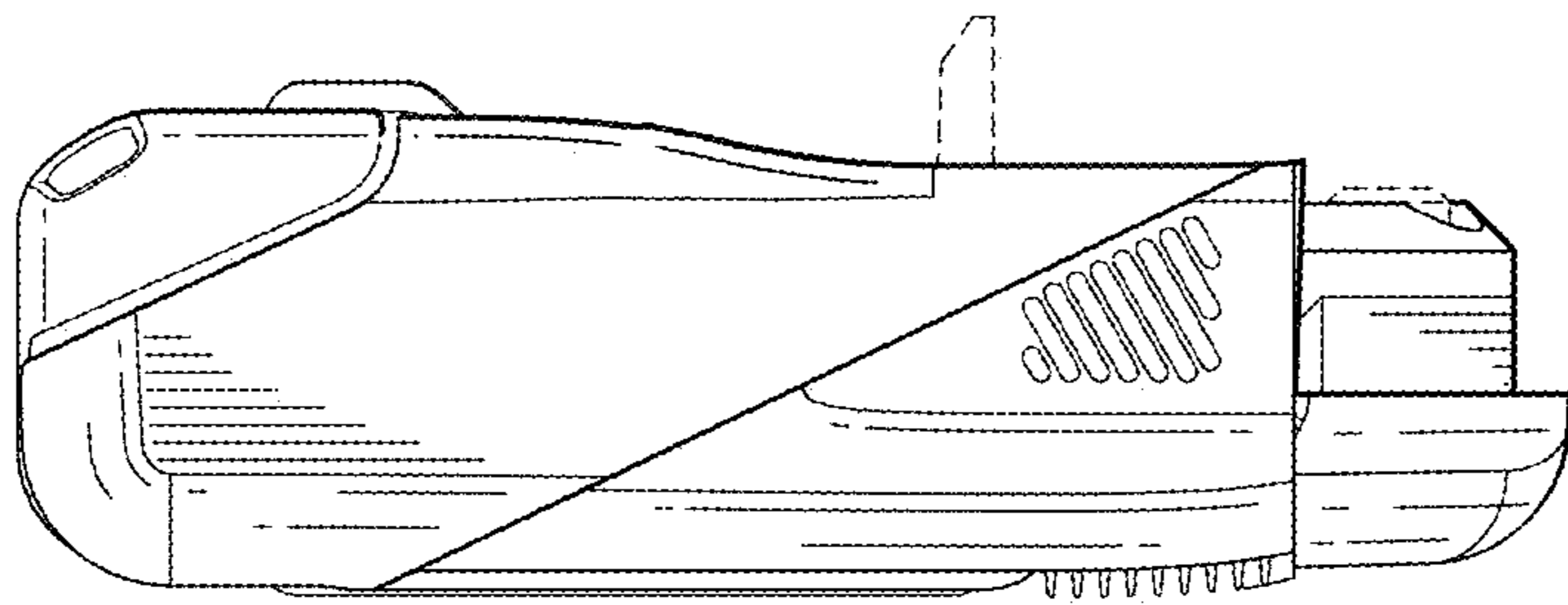


FIG. 4

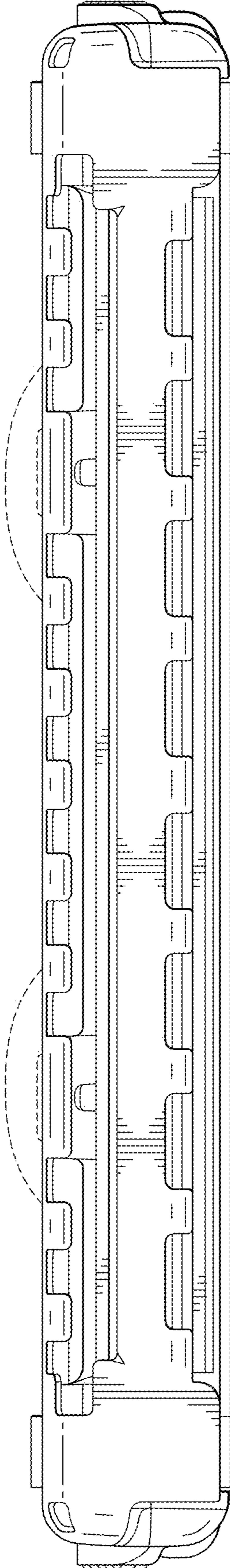


FIG. 6