



US00D908279S

(12) **United States Design Patent** (10) **Patent No.:** **US D908,279 S**
Li (45) **Date of Patent:** **** Jan. 19, 2021**

(54) **ELECTRONIC CIGARETTE**

(71) Applicant: **SHENZHEN SMOORE TECHNOLOGY LIMITED,**
Guangdong (CN)

(72) Inventor: **Kui Li,** Guangdong (CN)

(73) Assignee: **SHENZHEN SMOORE TECHNOLOGY LIMITED,**
Guangdong (CN)

(**) Term: **15 Years**

(21) Appl. No.: **29/685,869**

(22) Filed: **Apr. 1, 2019**

(30) **Foreign Application Priority Data**

Nov. 28, 2018 (CN) 2018 3 0681350

(51) **LOC (13) Cl.** **27-02**

(52) **U.S. Cl.**
USPC **D27/162**

(58) **Field of Classification Search**
USPC D27/100, 101, 139, 141, 148, 161-171,
D27/183, 185-194, 142-144, 180;
(Continued)

(56) **References Cited**

U.S. PATENT DOCUMENTS

D299,066 S * 12/1988 Newell D24/110
D303,927 S * 10/1989 Weber D9/521
(Continued)

FOREIGN PATENT DOCUMENTS

CN 304861850 * 10/2018

Primary Examiner — George D. Kirschbaum

Assistant Examiner — Mary Claire Ramirez

(74) *Attorney, Agent, or Firm* — Ladas & Parry LLP

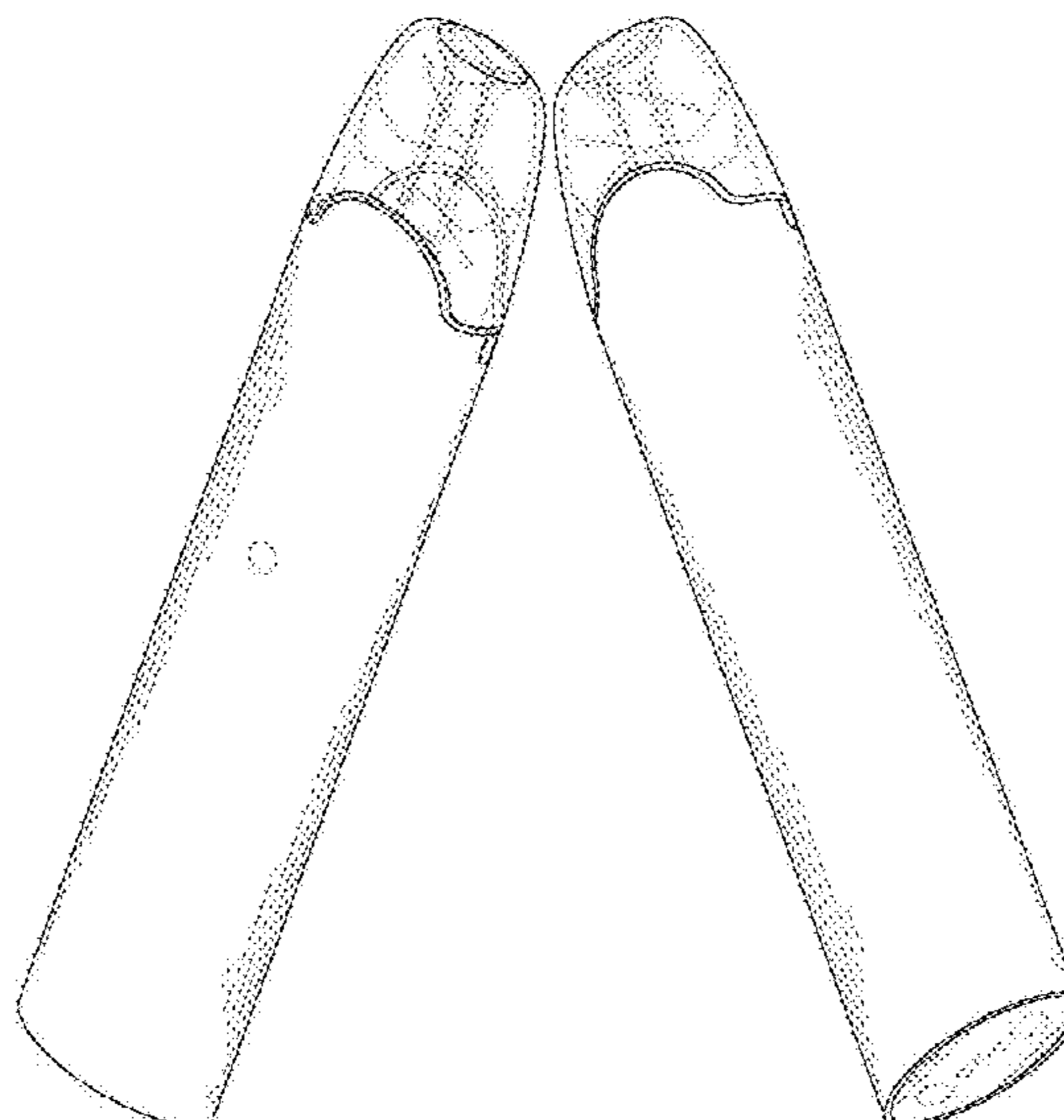
(57) **CLAIM**

The ornamental design for an electronic cigarette, as shown and described.

DESCRIPTION

FIG. 1 is a front, right, and top perspective view of the top component of an electronic cigarette, shown separately to show features otherwise not visible when combined; FIG. 2 is a rear, left, and bottom perspective view thereof; FIG. 3 is a front elevational view thereof; FIG. 4 is a rear elevational view thereof; FIG. 5 is a left side elevational view thereof; FIG. 6 is a right side elevational view thereof; FIG. 7 is a top plan view thereof; FIG. 8 is a bottom plan view thereof; FIG. 9 is a front, right, and top perspective view of the bottom component of the electronic cigarette, shown separately to show features otherwise not visible when combined; FIG. 10 is a rear, left, and bottom perspective view thereof; FIG. 11 is a front elevational view thereof; FIG. 12 is a rear elevational view thereof; FIG. 13 is a left side elevational view thereof; FIG. 14 is a right side elevational view thereof; FIG. 15 is a top plan view thereof; FIG. 16 is a bottom plan view thereof; FIG. 17 is a front, right, and top perspective view of the electronic cigarette; FIG. 18 is a rear, left, and bottom perspective view thereof; FIG. 19 is a front elevational view thereof; FIG. 20 is a rear elevational view thereof; FIG. 21 is a left side elevational view thereof; FIG. 22 is a right side elevational view thereof; FIG. 23 is a top plan view thereof; and, FIG. 24 is a bottom plan view thereof. The broken lines in the figures are included for the purpose of illustrating portions of the electronic cigarette that form no part of the claimed design.

1 Claim, 24 Drawing Sheets



(58) **Field of Classification Search**

USPC D24/110, 110.5, 129, 113, 112; D13/108,
 D13/144, 103, 119, 146, 168;
 D23/364-366, 202, 262, 209, 207;
 D19/66, 73, 115, 123, 173, 177, 923,
 D19/925-929, 934, 161-166, 194-196;
 D14/434, 480.5, 480.1, 480.3, 483, 484.1,
 D14/420, 426, 250, 137, 203.1, 203.3,
 D14/203.7, 218, 254, 411, 433-435,
 D14/435.1; D4/121; D9/500, 503, 504,
 D9/516, 517, 522, 523, 530, 531, 560,
 D9/444; D11/143, 156, 146, 54, 152,
 D11/149, 144; D28/85, 4, 7, 88, 90,
 D28/73-76, 77; D3/201, 11, 13, 17, 273,
 D3/274, 300
 CPC A24F 40/00; A24F 40/40; A24F 40/42;
 A24F 40/05; A24F 40/46; A24F 47/002;
 A24F 47/008; A24D 1/14; A24D 1/042;
 A24D 1/02; G06F 3/03545
 See application file for complete search history.

(56) **References Cited**

U.S. PATENT DOCUMENTS

D355,844 S * 2/1995 Bishop D24/114
 D423,877 S * 5/2000 Kerr D7/503
 D462,296 S * 9/2002 Bates D11/143
 D527,815 S * 9/2006 Nishibayashi D24/110
 D527,817 S * 9/2006 Ziegler D24/110
 D647,195 S * 10/2011 Clarke D24/110

D647,196 S * 10/2011 Clarke D24/110
 D676,621 S * 2/2013 Florkiewicz D32/35
 D691,881 S * 10/2013 Ivey D9/424
 D725,704 S * 3/2015 Jiang D19/163
 D725,706 S * 3/2015 Jiang D19/194
 D779,719 S * 2/2017 Qiu D27/101
 D806,946 S * 1/2018 Deahj D27/172
 D816,267 S * 4/2018 Fornarelli D27/101
 D818,636 S * 5/2018 Qiu D27/101
 D825,834 S * 8/2018 Chen D27/101
 D829,980 S * 10/2018 Qiu D27/162
 D846,796 S * 4/2019 Pan D27/101
 D850,712 S * 6/2019 Fornarelli D27/162
 D855,251 S * 7/2019 Qiu D27/162
 D864,474 S * 10/2019 Smith D27/162
 D865,276 S * 10/2019 Pino D27/162
 D875,306 S * 2/2020 Pan D27/167
 D876,004 S * 2/2020 Wang D27/101
 D880,053 S * 3/2020 Han D27/162
 D881,460 S * 4/2020 Han D27/162
 D885,654 S * 5/2020 Ding D27/162
 D885,657 S * 5/2020 Lai D27/194
 D889,736 S * 7/2020 Han D27/162
 2009/0294476 A1 * 12/2009 Koenig B05B 11/0027
 222/182
 2018/0279682 A1 * 10/2018 Guo H05B 3/141
 2018/0289059 A1 * 10/2018 Daryani A24F 47/008
 2018/0310628 A1 * 11/2018 Qiu A24F 47/008
 2019/0037926 A1 * 2/2019 Qiu A24F 40/10
 2019/0208825 A1 * 7/2019 Qiu A24F 47/00
 2019/0373949 A1 * 12/2019 Pan A24F 40/44
 2020/0085104 A1 * 3/2020 Scatterday A24F 47/008
 2020/0107584 A1 * 4/2020 Li H05B 3/06
 2020/0163390 A1 * 5/2020 Yang A24F 40/70

* cited by examiner

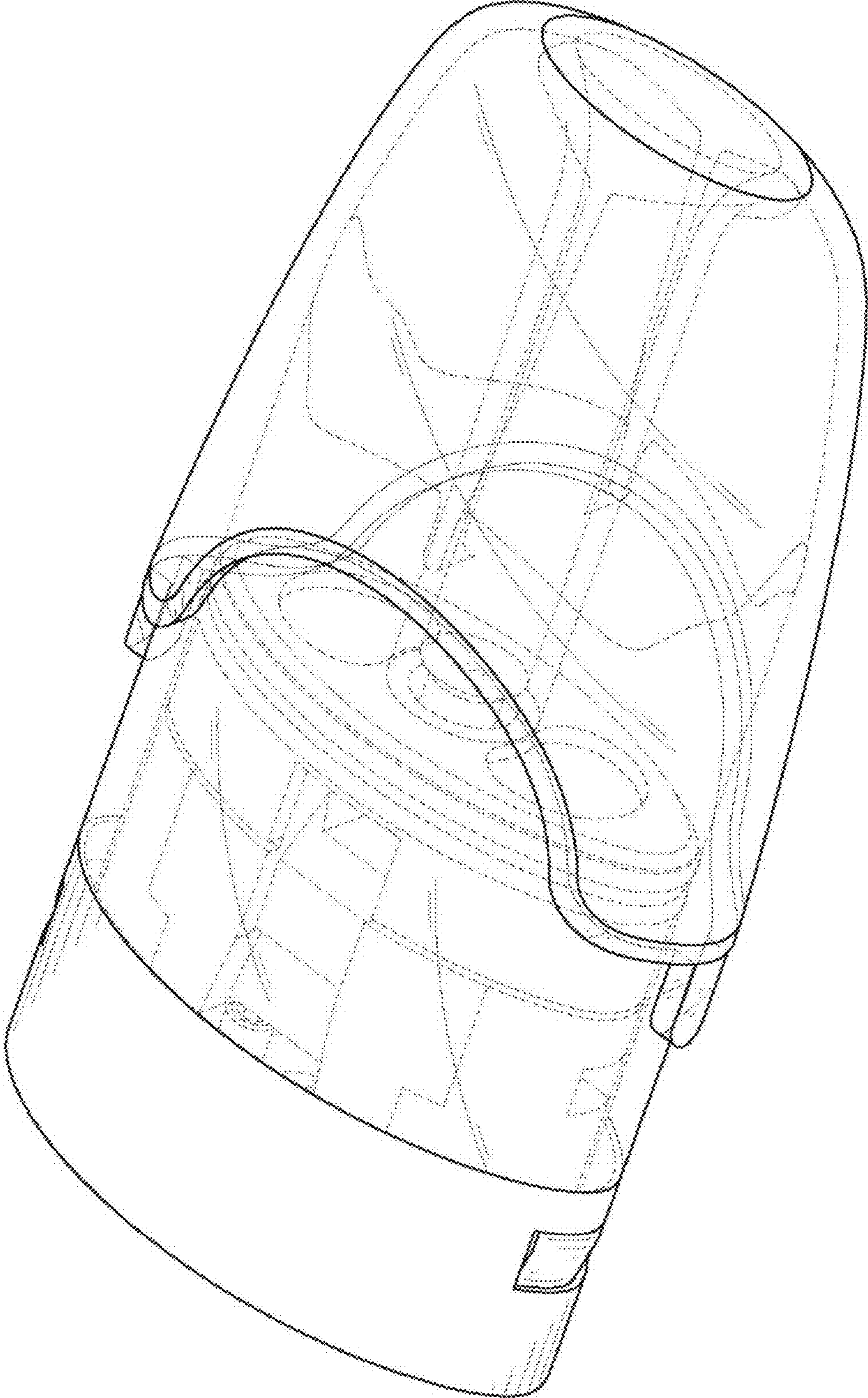


FIG. 1

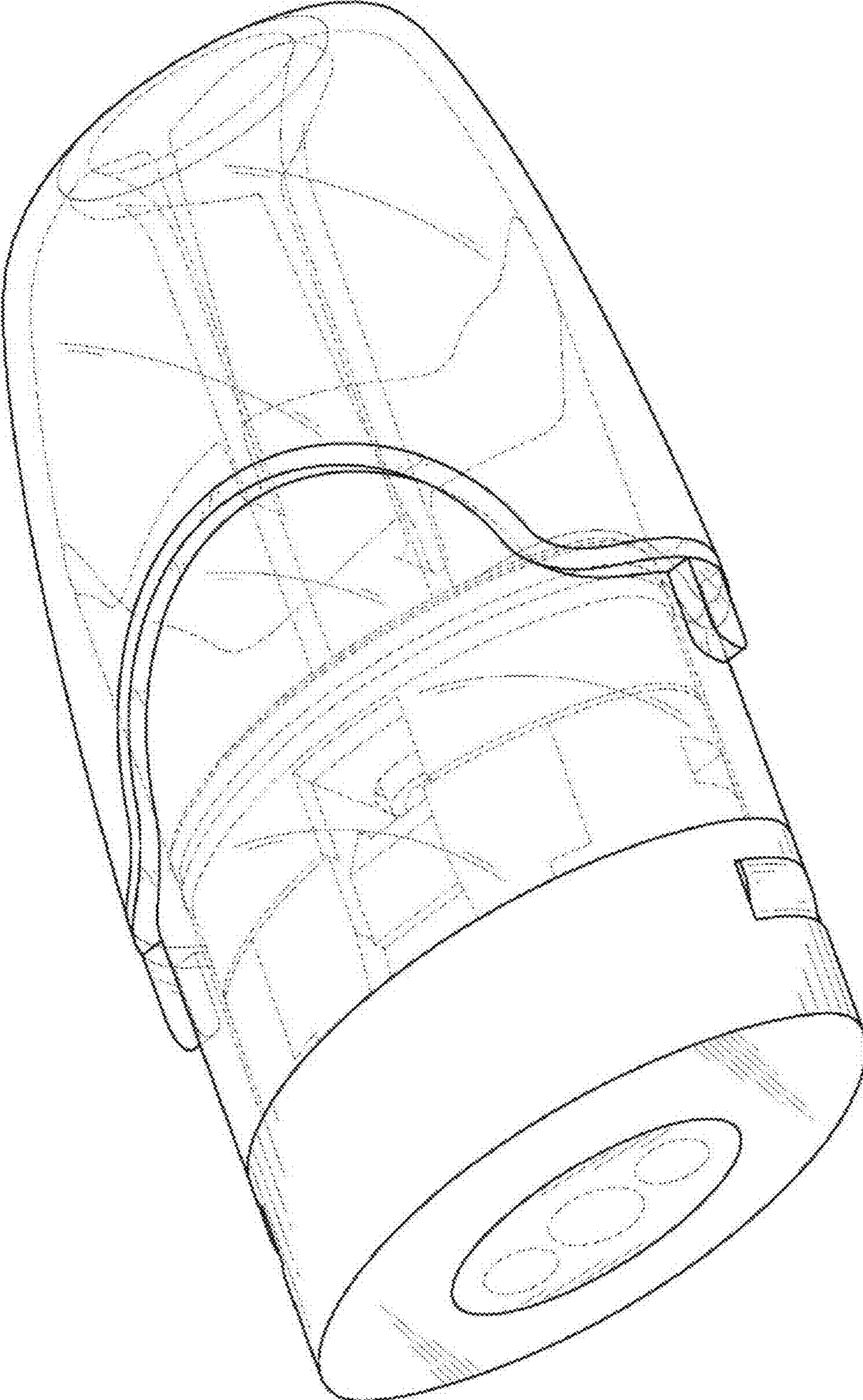


FIG.2

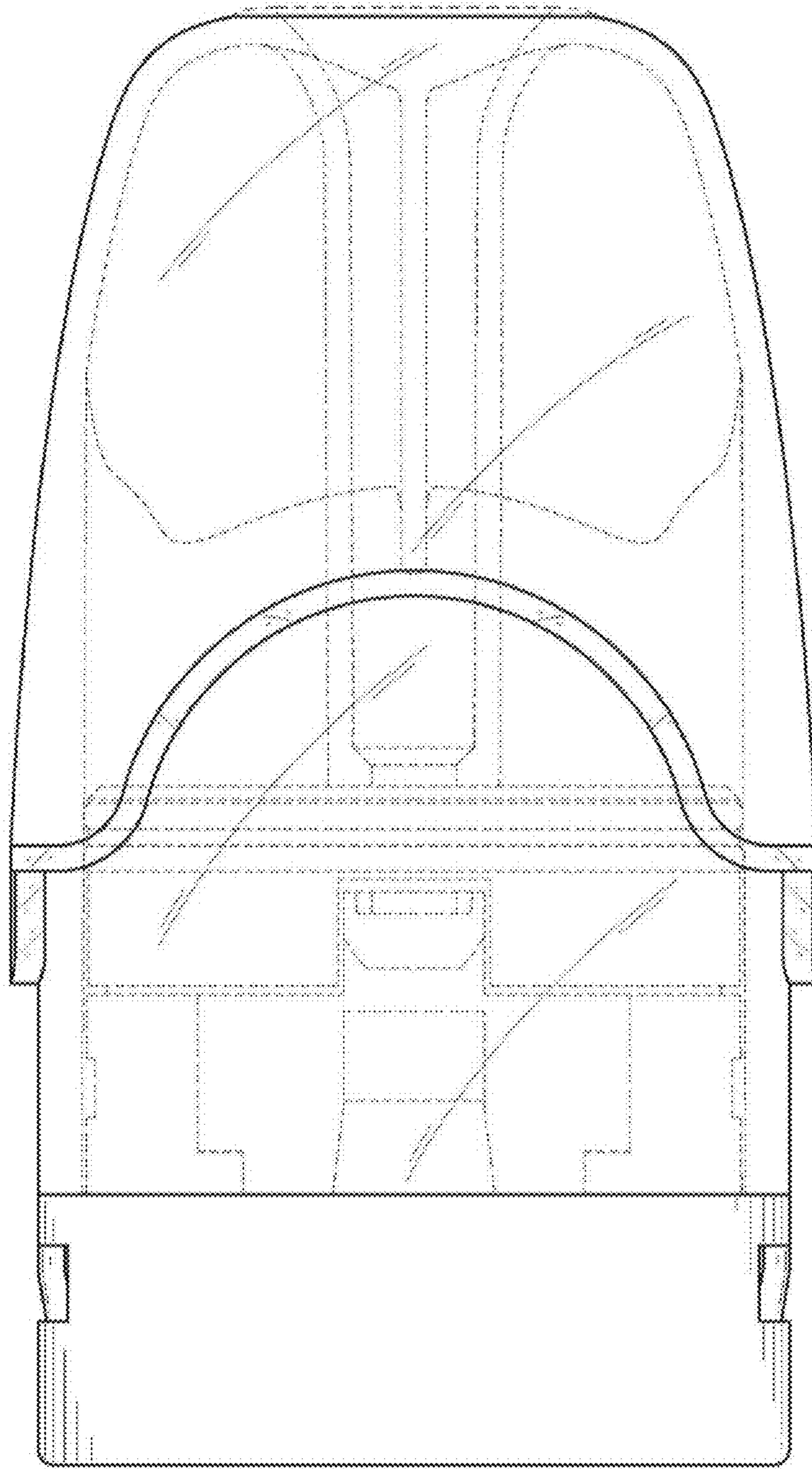


FIG.3

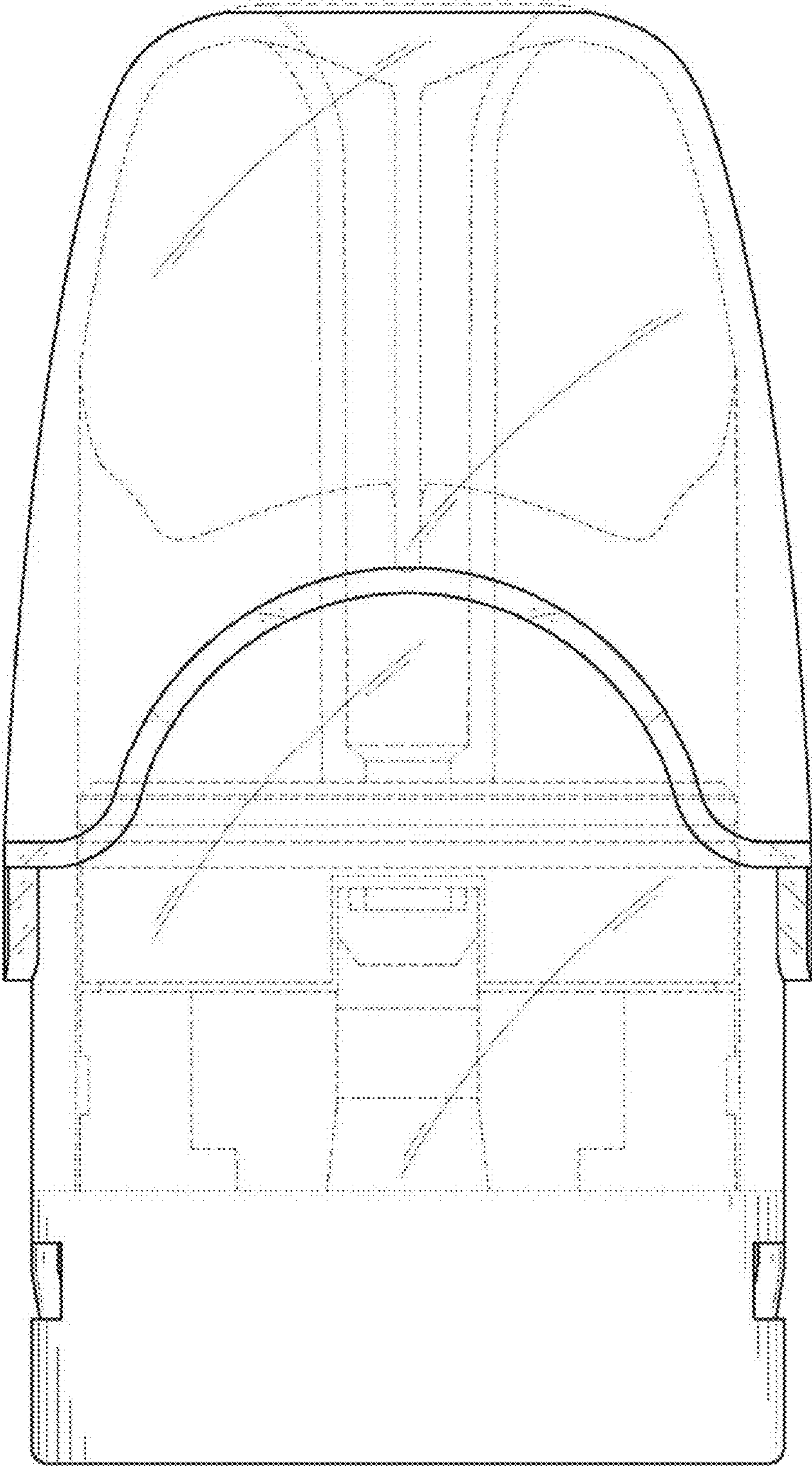


FIG.4

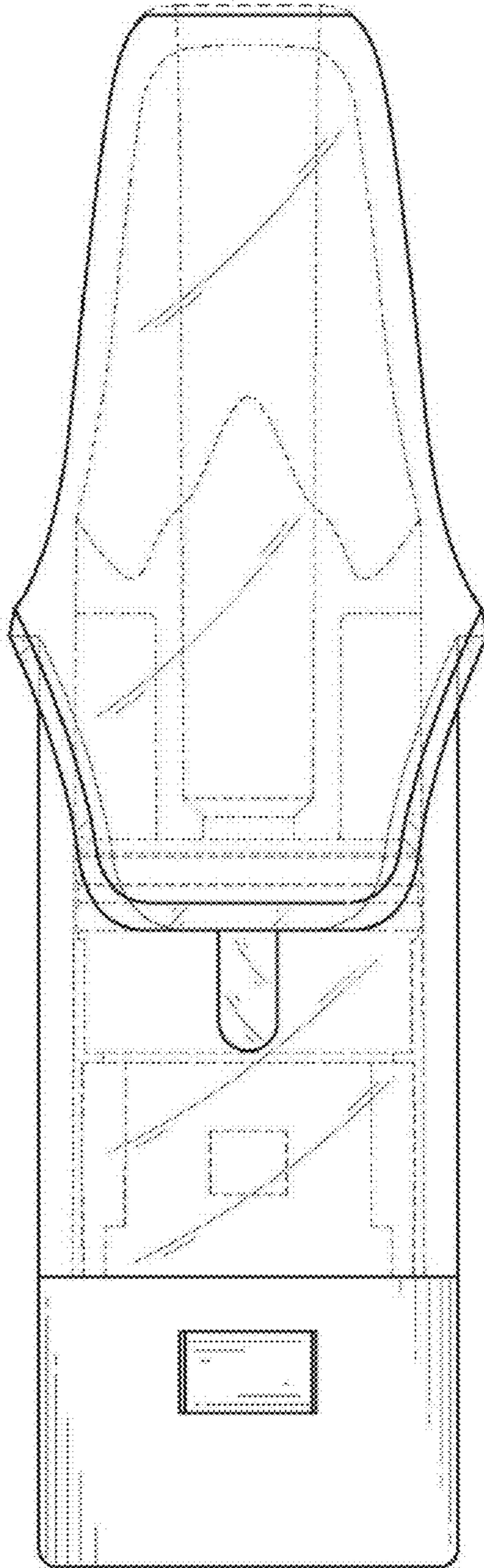


FIG.5

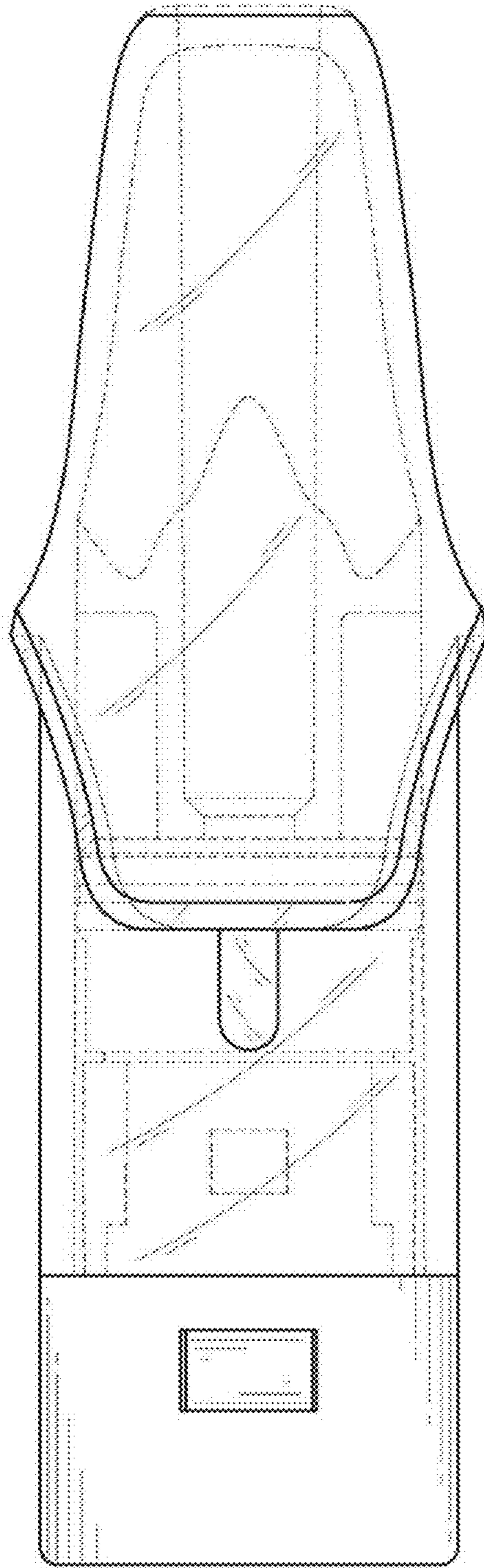


FIG. 6

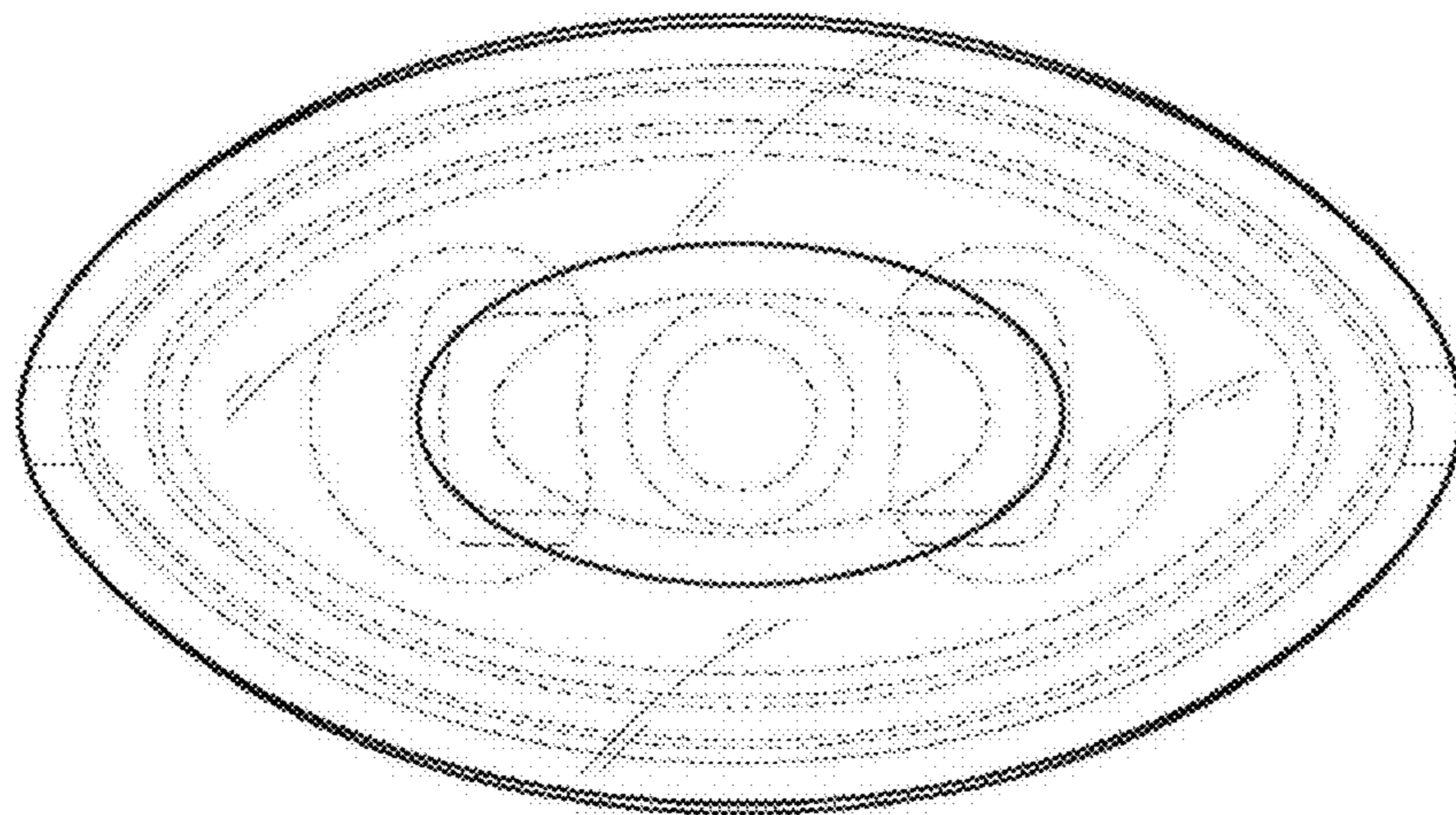


FIG. 7

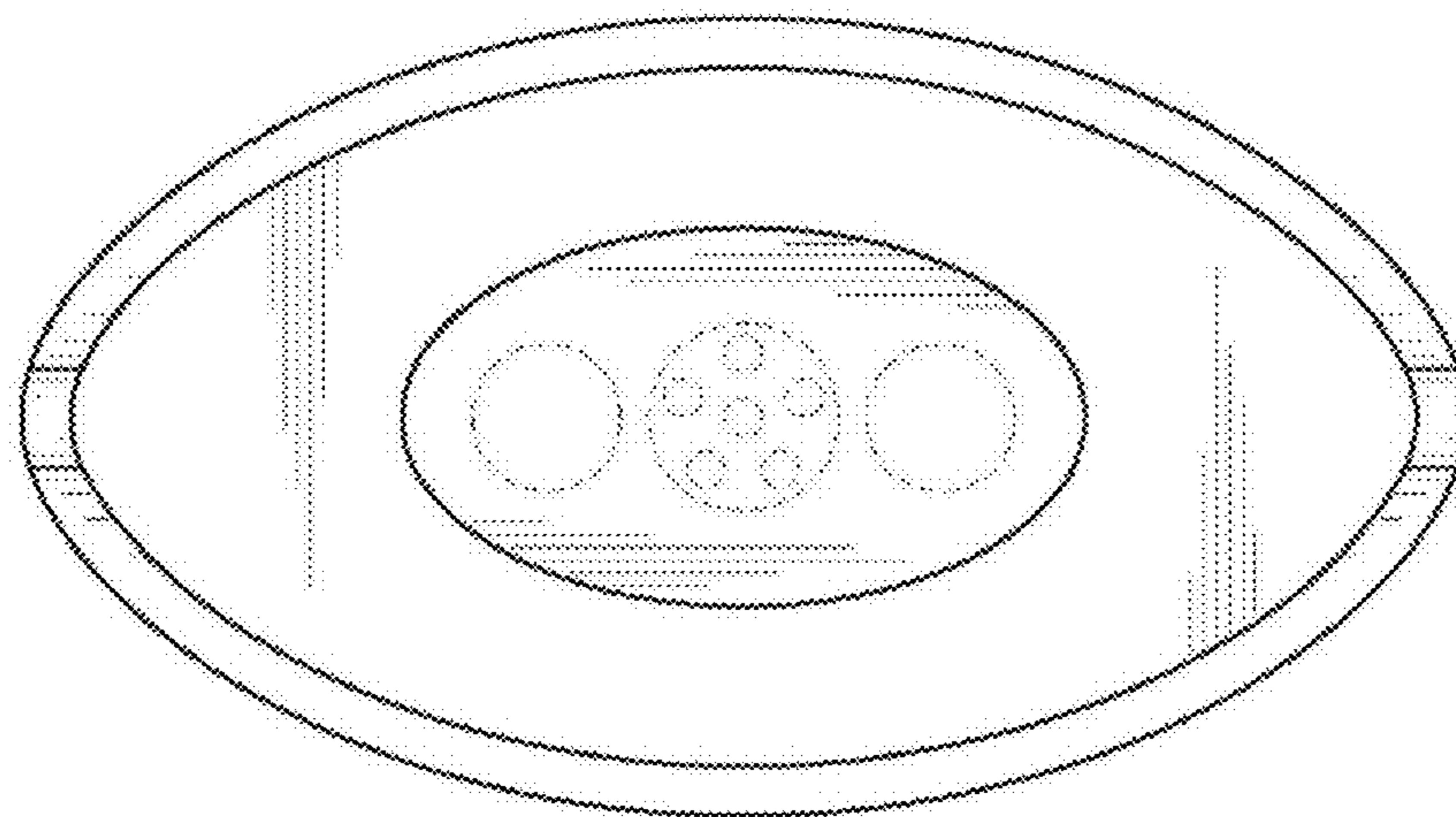


FIG. 8

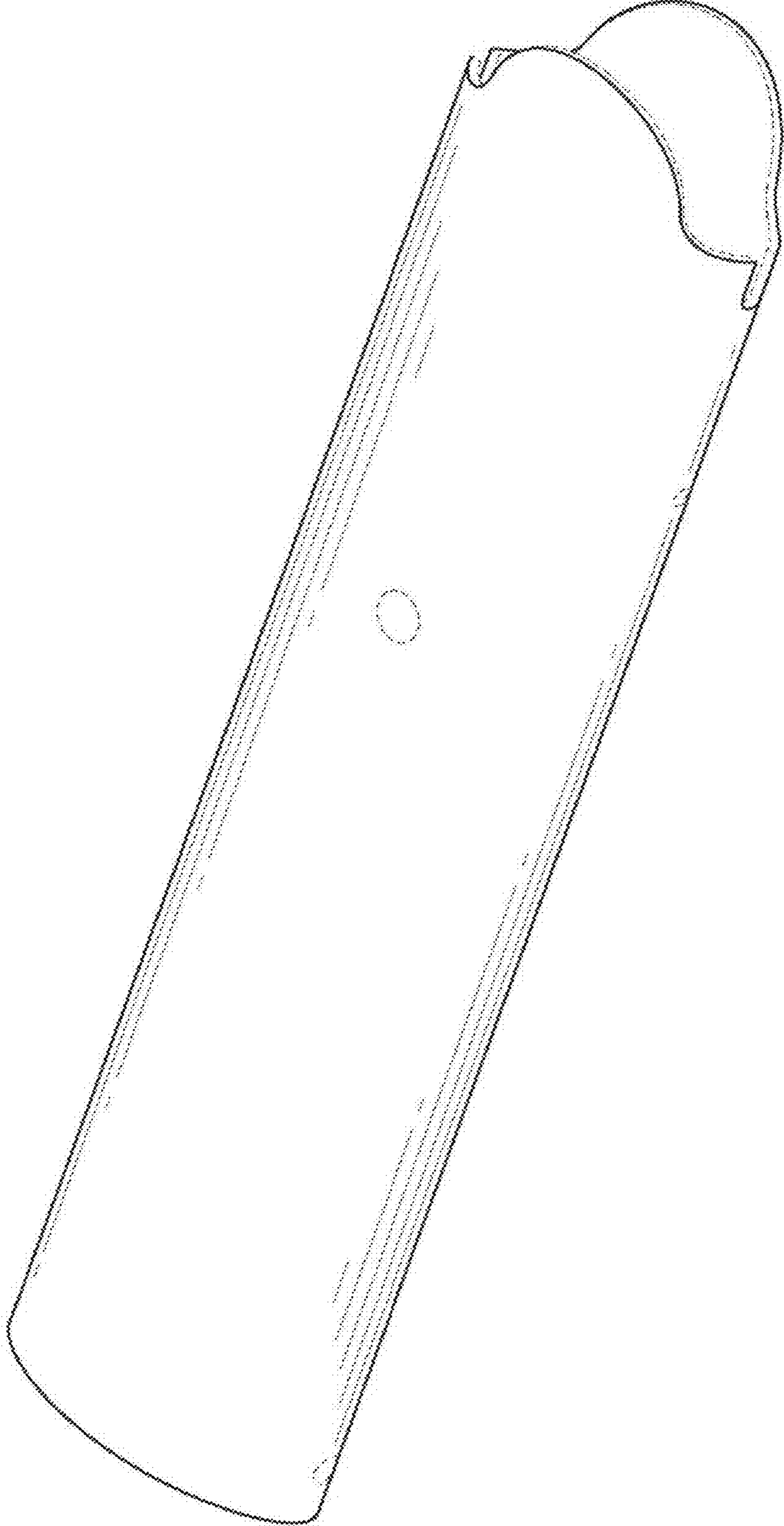


FIG.9

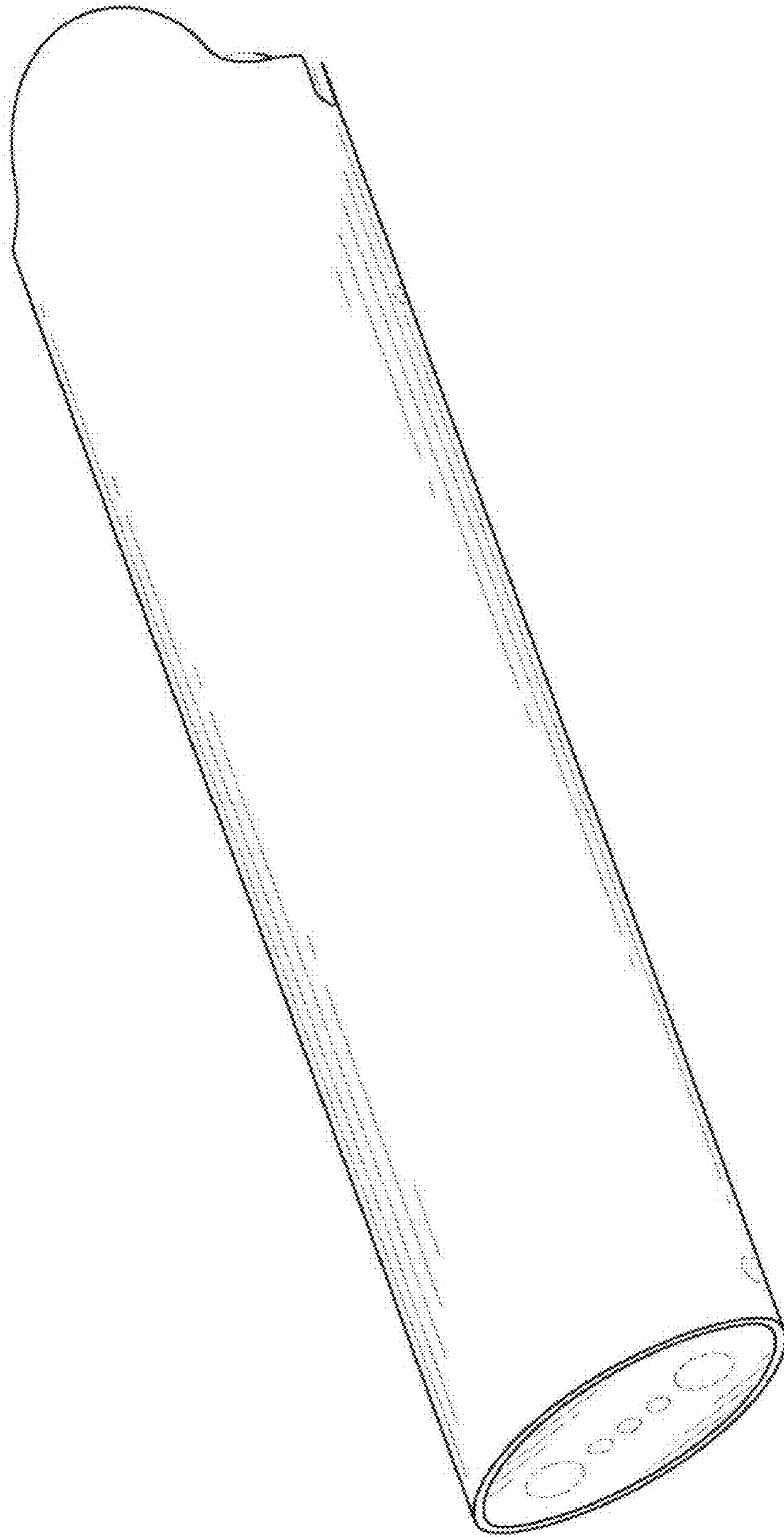


FIG.10

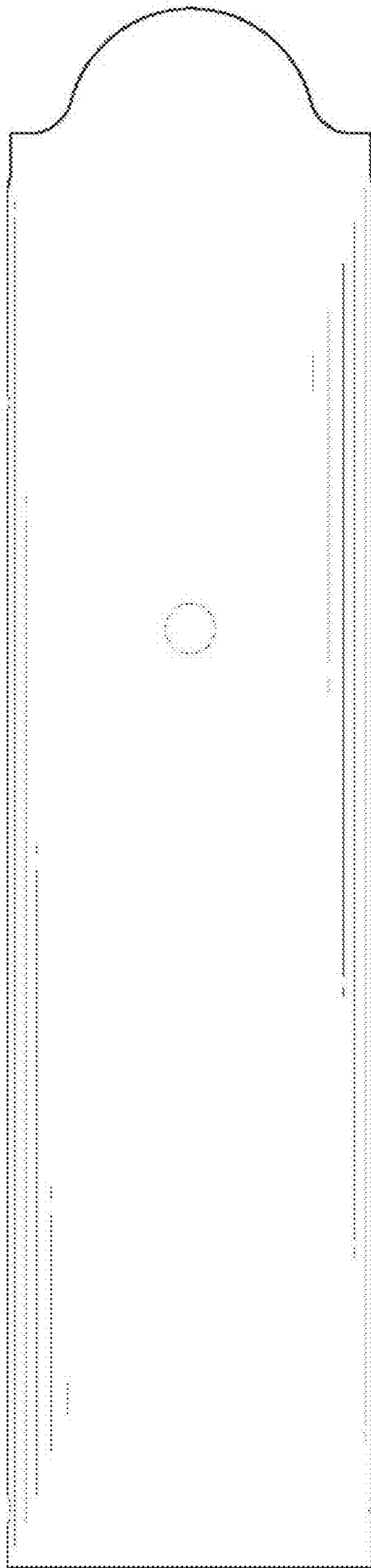


FIG. 11

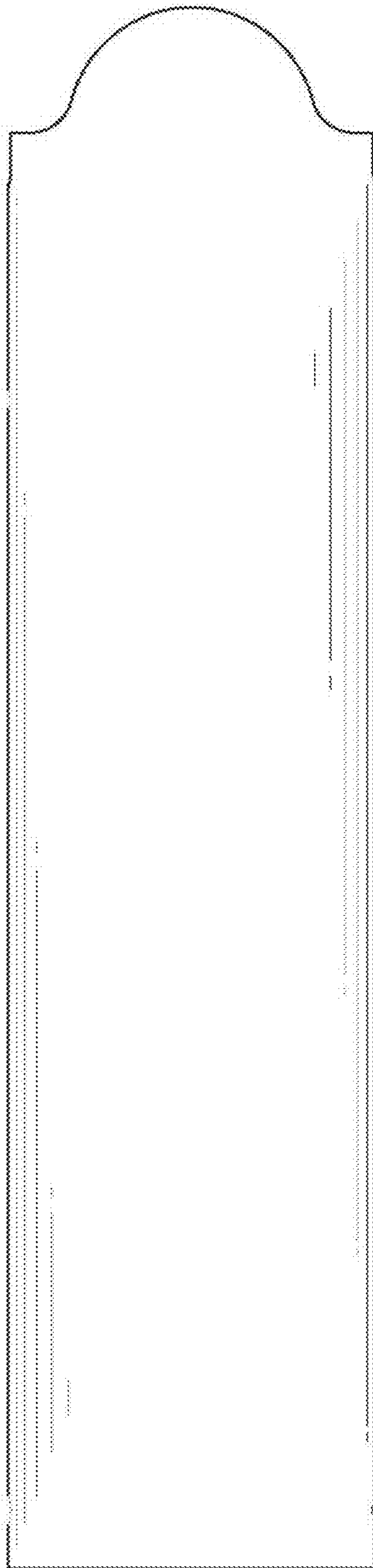


FIG.12

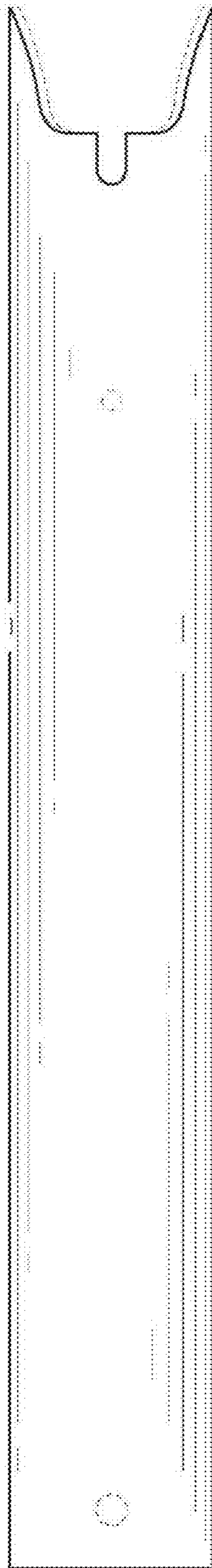


FIG.13

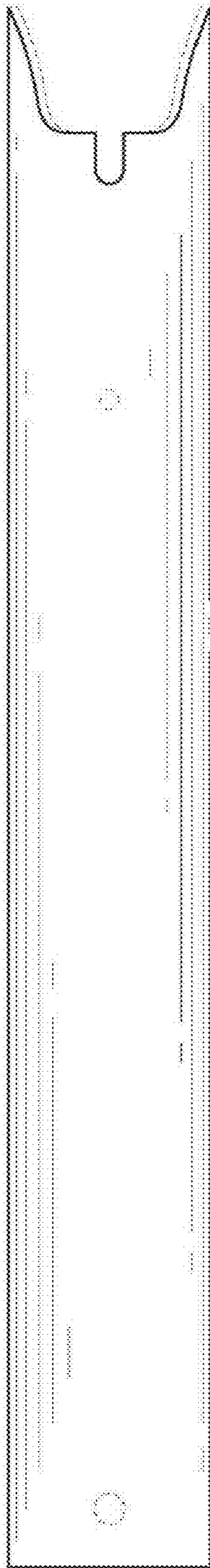


FIG.14

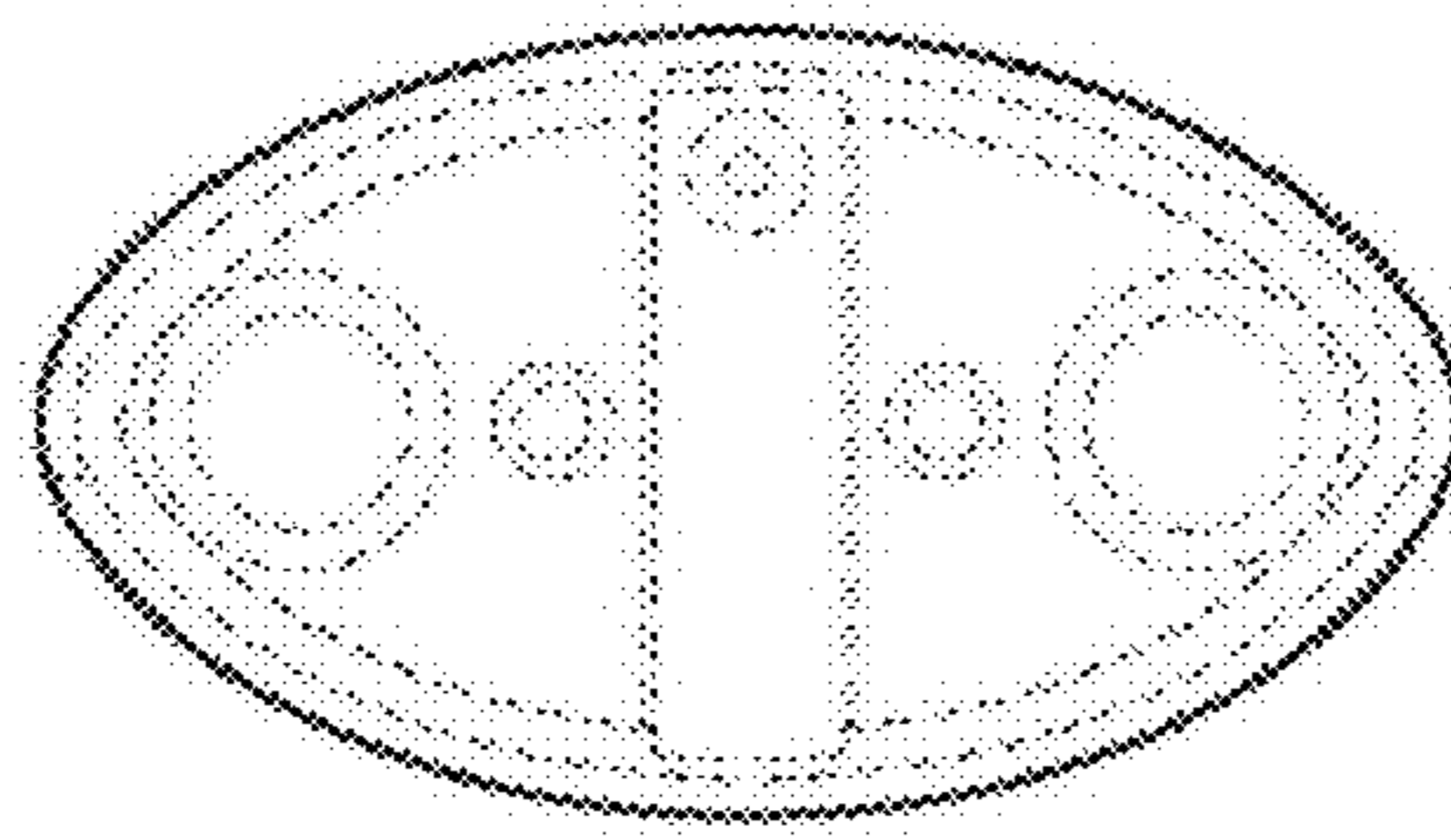


FIG. 15

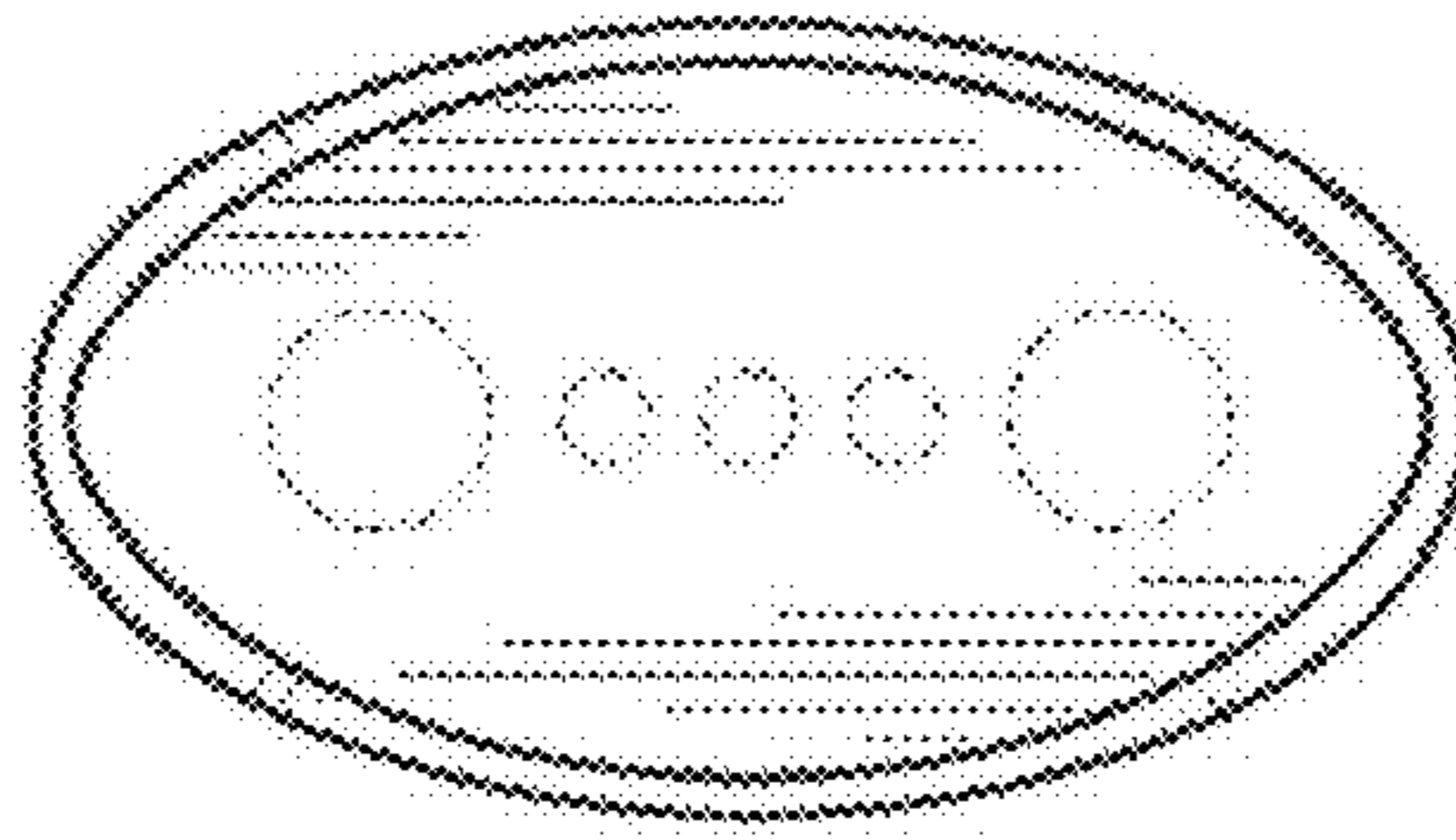


FIG. 16

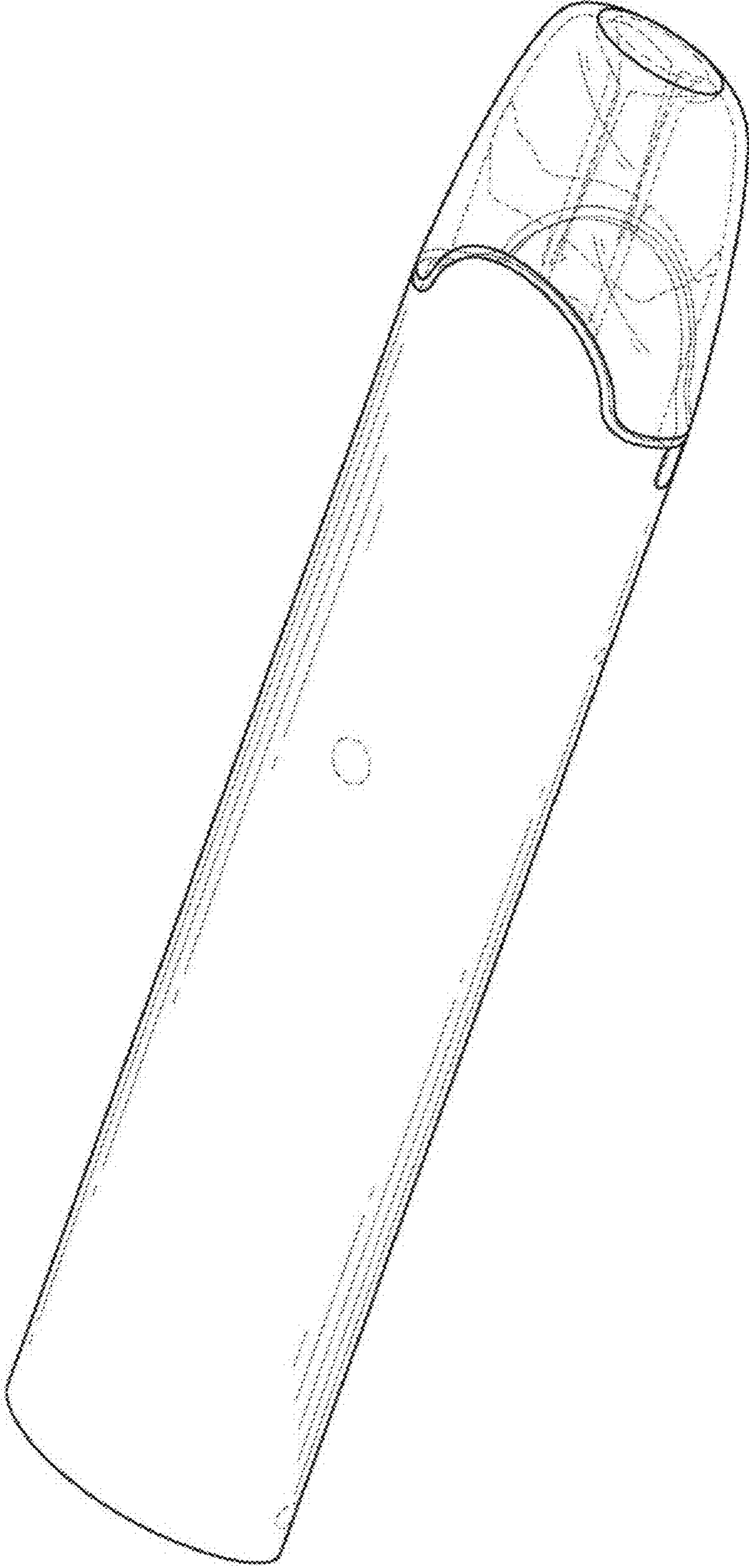


FIG.17

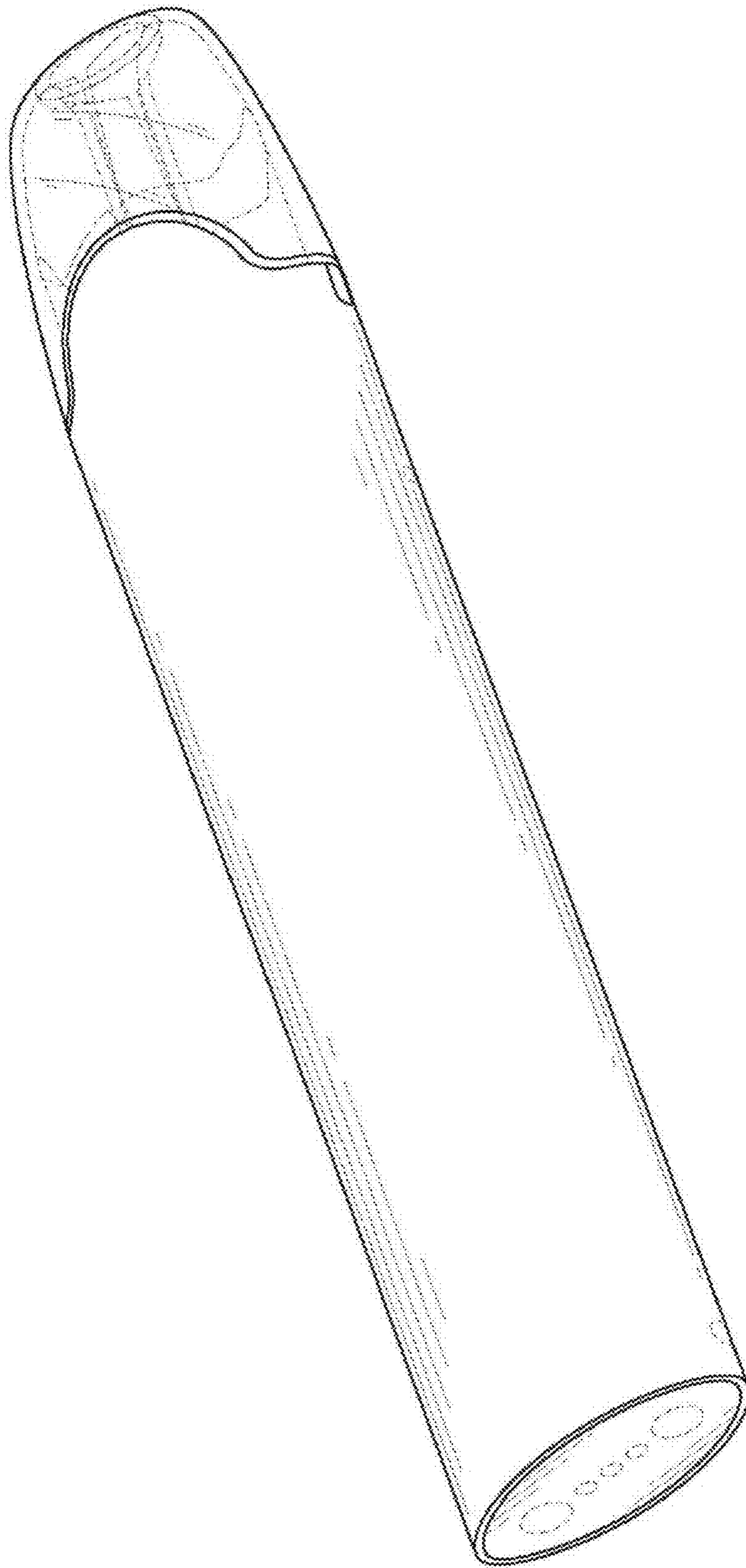


FIG.18

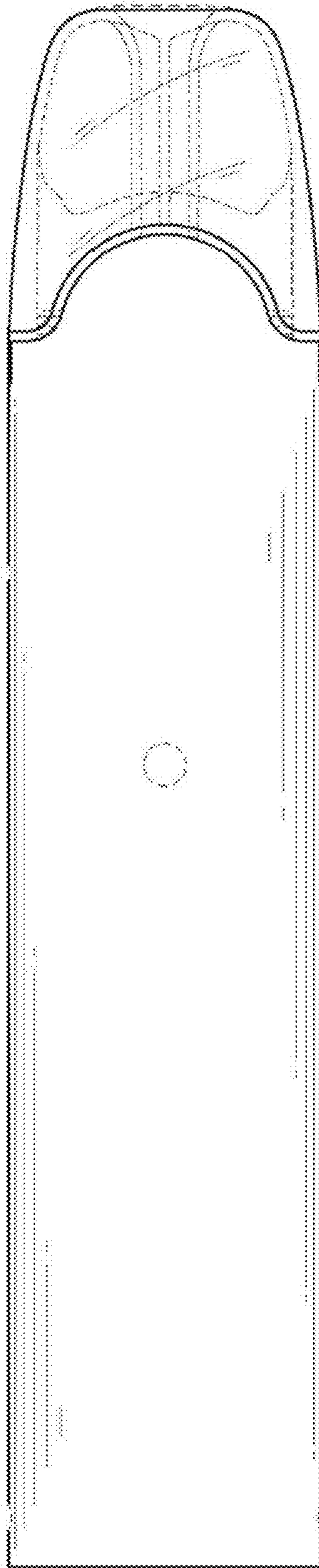


FIG.19

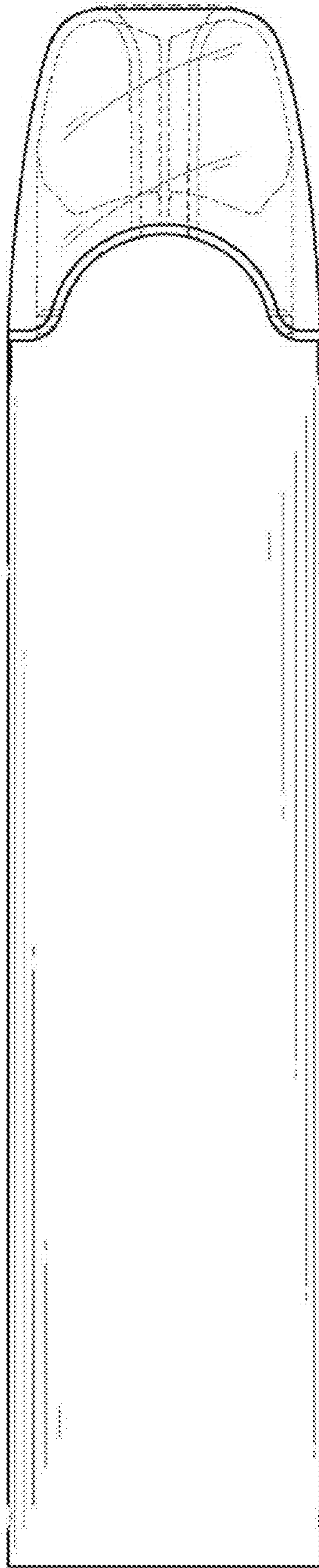


FIG.20

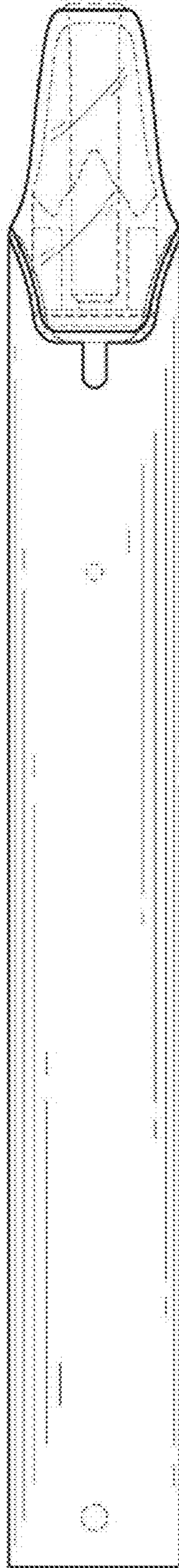


FIG. 21

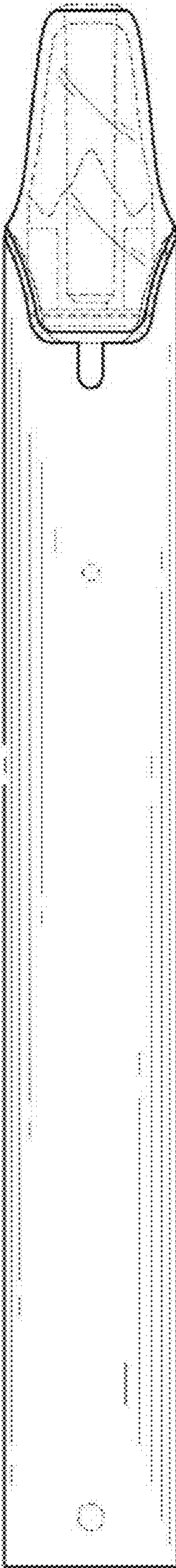


FIG.22

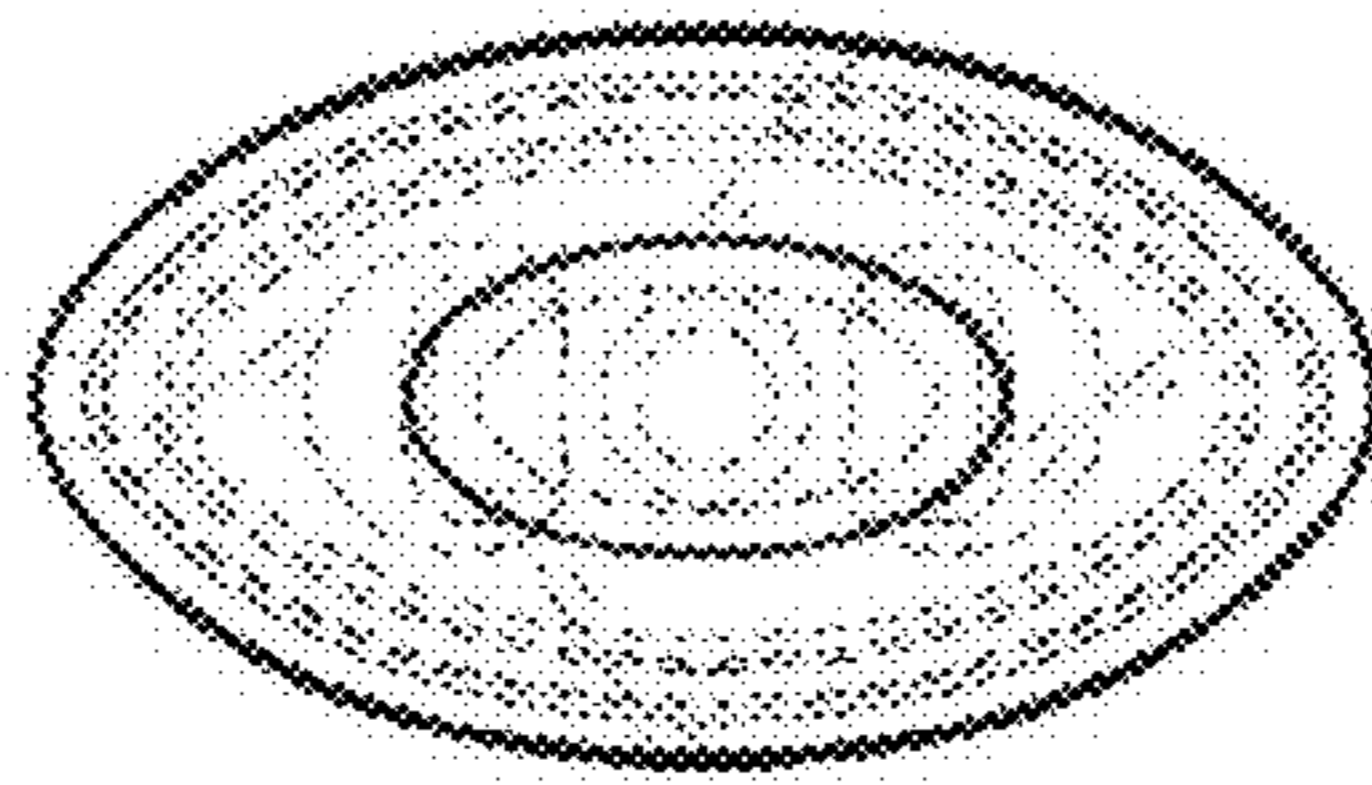


FIG. 23

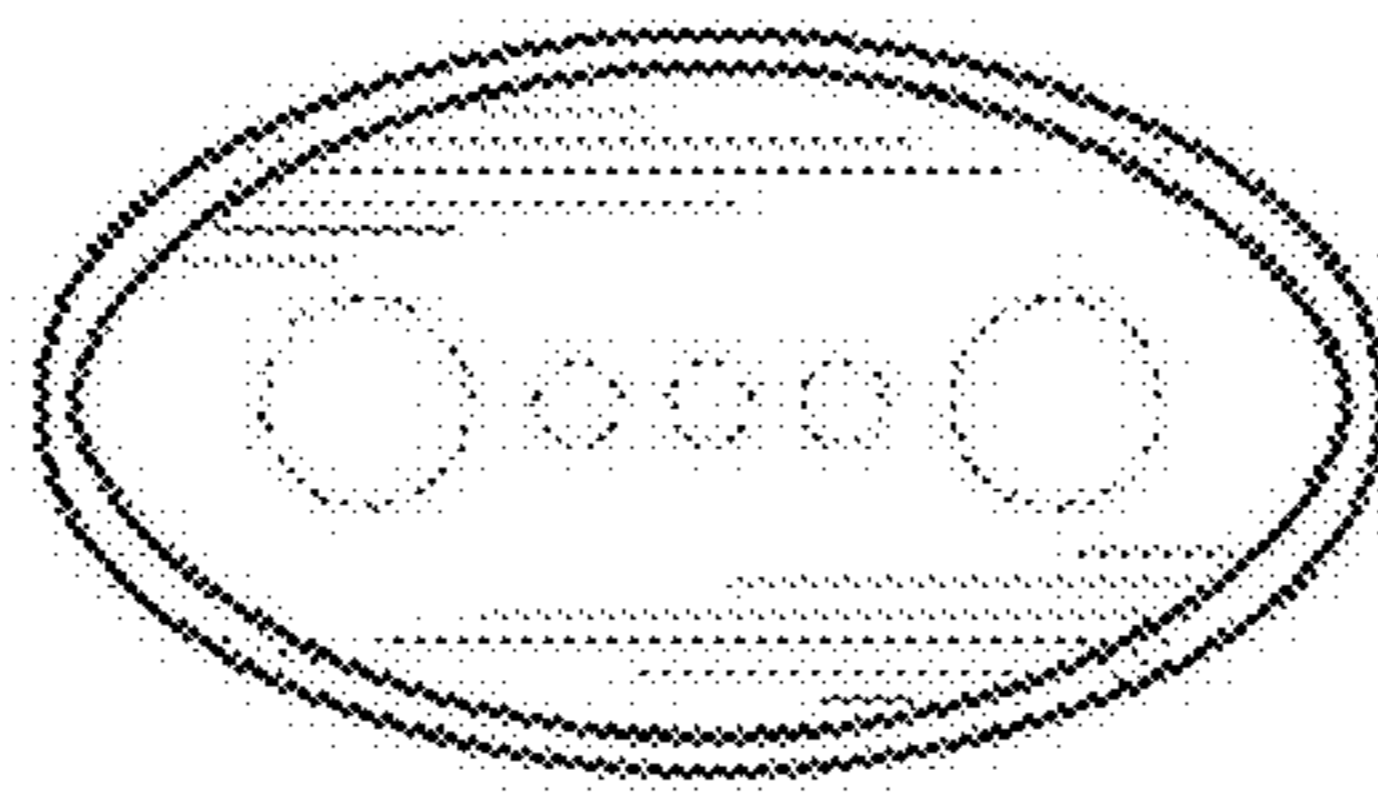


FIG. 24