



US00D908277S

(12) **United States Design Patent**
Woodruff et al.

(10) **Patent No.:** **US D908,277 S**
(45) **Date of Patent:** **** Jan. 19, 2021**

(54) **CONTAINER FOR DRY PRODUCTS**

6,050,309 A * 4/2000 Woodruff A01M 7/0092
141/346

(71) Applicant: **AMVAC CHEMICAL CORPORATION**, Newport Beach, CA (US)

6,085,809 A * 7/2000 Woodruff B65D 23/102
141/346

7,044,294 B2 * 5/2006 Lutzig B65D 5/6691
206/259

(72) Inventors: **Keith Woodruff**, Mountainside, NJ (US); **Brian Kaltner**, Fairfield, NJ (US); **Richard L. Rice**, Collierville, TN (US)

D811,832 S * 3/2018 Rummel D7/700
(Continued)

OTHER PUBLICATIONS

(73) Assignee: **AMVAC CHEMICAL CORPORATION**, Newport Beach, CA (US)

Screenshot from <http://www.simpas.com/#content-segment-213>, downloaded on Jan. 4, 2019 (1 Page).

Primary Examiner — Marissa J Cash

Assistant Examiner — Rebecca Tsehaye

(**) Term: **15 Years**

(74) *Attorney, Agent, or Firm* — Lawrence N. Ginsberg

(21) Appl. No.: **29/661,218**

(57) **CLAIM**

(22) Filed: **Aug. 25, 2018**

The ornamental design for a container for dry products, as shown and described.

(51) **LOC (13) Cl.** **27-02**

(52) **U.S. Cl.**
USPC **D27/162**

(58) **Field of Classification Search**
USPC D27/183, 184, 186–194, 172, 181;
206/242, 249, 250, 264–267; 131/329
CPC A24F 23/00; B65D 83/00; B65D 83/0083
See application file for complete search history.

DESCRIPTION

(56) **References Cited**

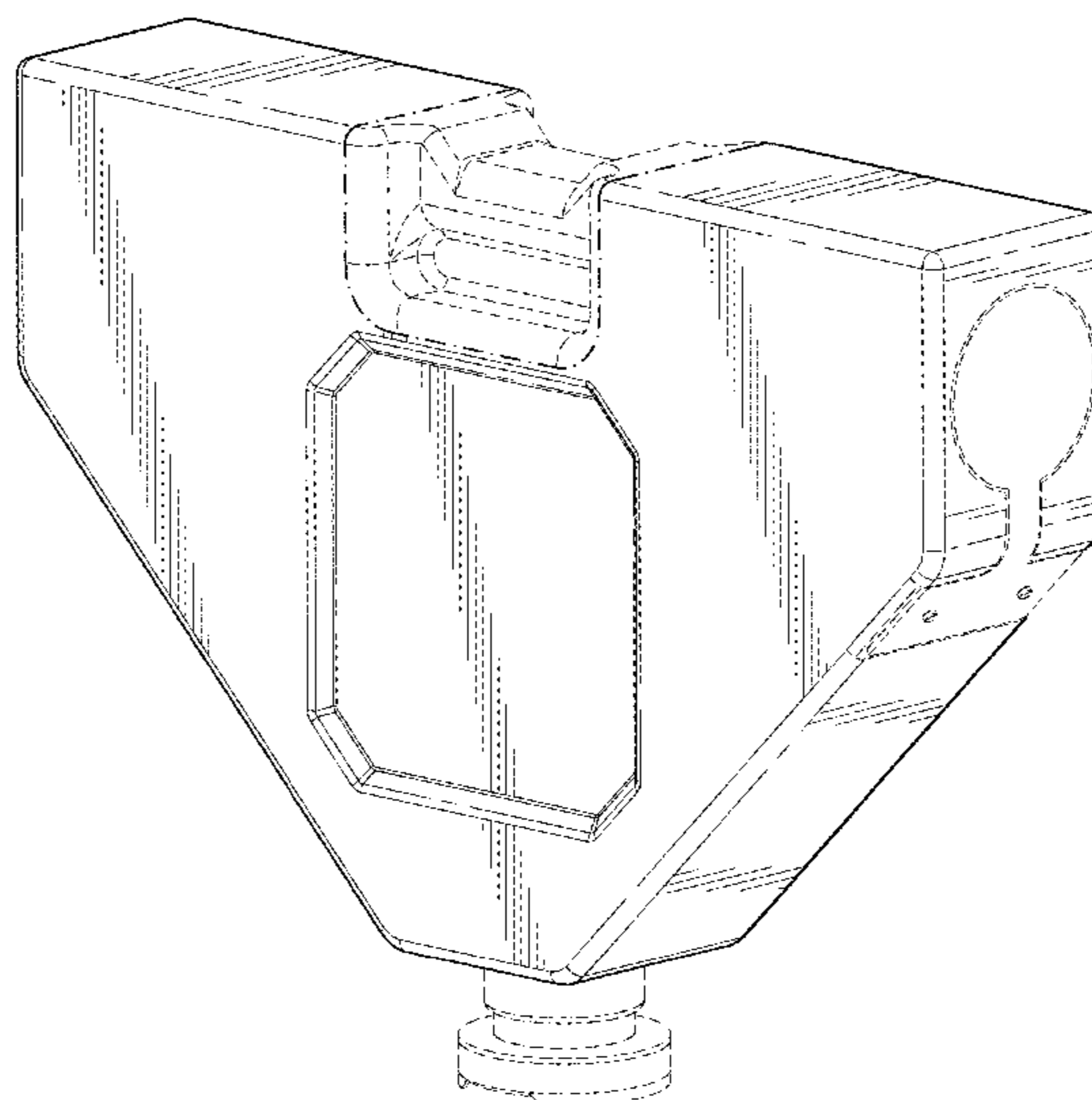
U.S. PATENT DOCUMENTS

- 5,029,624 A * 7/1991 McCunn A01C 15/006
137/614.04
- 5,119,972 A * 6/1992 Reed B65D 21/0231
206/509
- 5,489,046 A * 2/1996 Wickham B65D 83/00
222/184
- 5,551,606 A * 9/1996 Rai B67B 7/28
141/329
- 5,947,171 A * 9/1999 Woodruff B65D 23/102
141/346
- 5,967,383 A * 10/1999 Hidalgo A01C 15/00
141/18

FIG. 1 is a top, front, left side perspective view of the container for dry products, showing our new design; FIG. 2 is a bottom, front, right side perspective view thereof; FIG. 3 is a front elevation view thereof; FIG. 4 is a rear elevation view thereof; FIG. 5 is a top plan view thereof; FIG. 6 is a bottom plan view thereof; FIG. 7 is a left side elevation view thereof; and, FIG. 8 is a right side elevation view thereof.

The broken lines consisting of evenly space dash lines in the drawings depict parts of the container for dry products that form no part of the claimed design. The broken lines consisting of dash-dot-dash lines in the drawings depict the boundary of the claimed invention and it is understood that the claim extends to the boundary that forms no part of the claimed design.

1 Claim, 5 Drawing Sheets



(56)

References Cited

U.S. PATENT DOCUMENTS

D841,410 S * 2/2019 Wettlaufer D7/665
10,562,062 B2 * 2/2020 Dobizl B65G 69/183
10,645,866 B2 * 5/2020 Woodruff A01C 15/006
2003/0153446 A1 * 8/2003 Focke B65B 19/223
493/51
2020/0068794 A1 * 3/2020 Woodruff A01M 9/0084

* cited by examiner

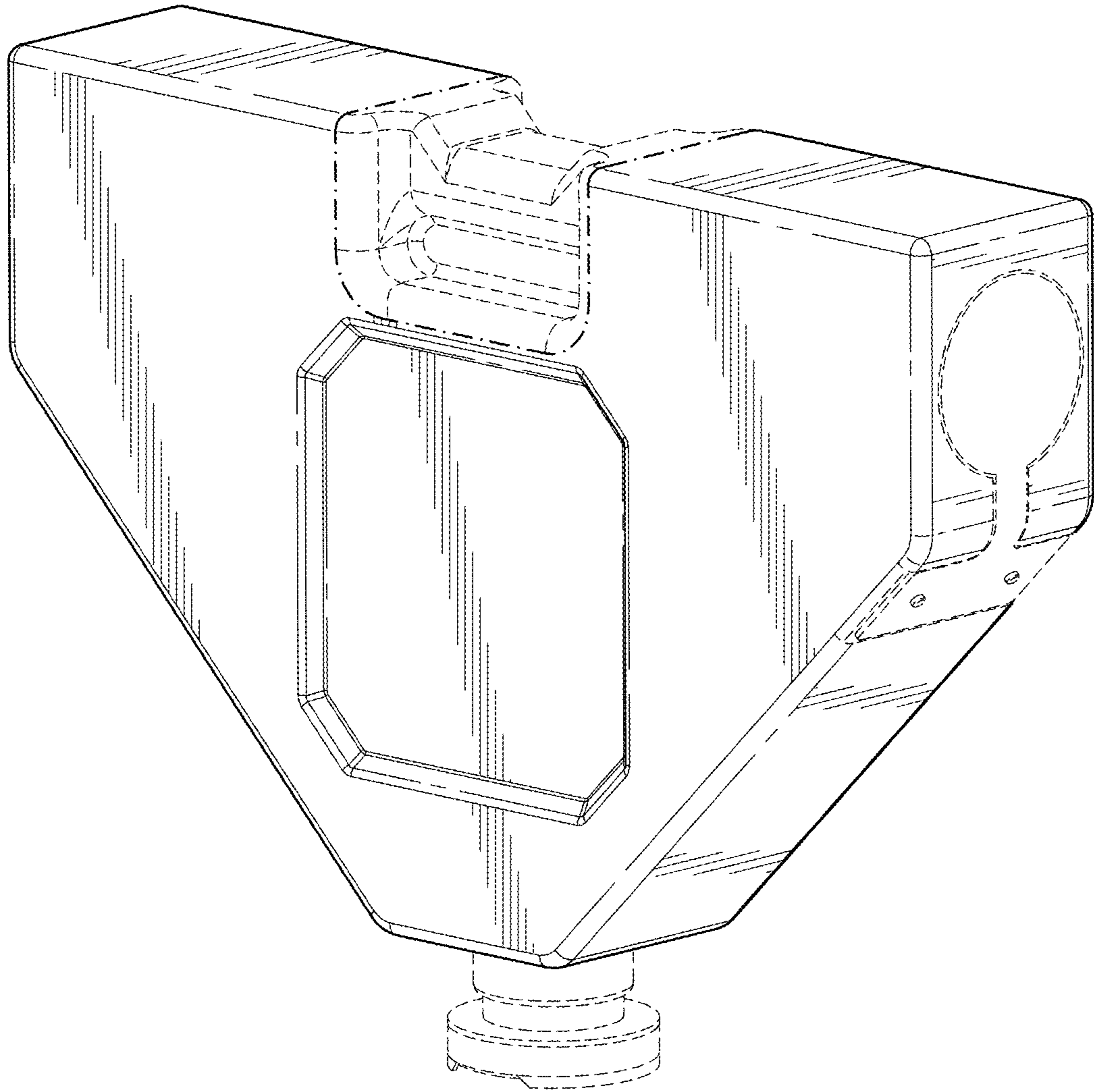


FIG. 1

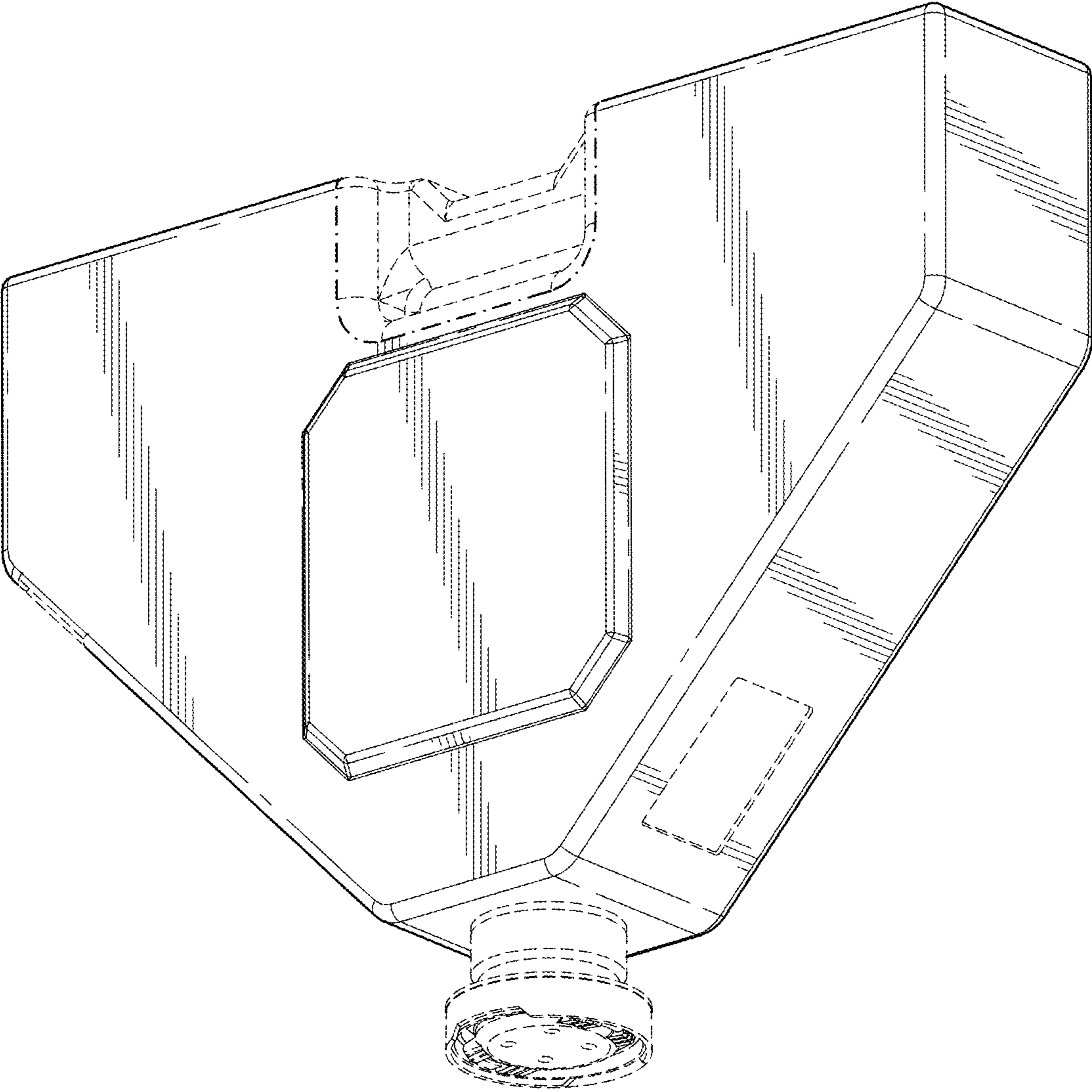


FIG. 2

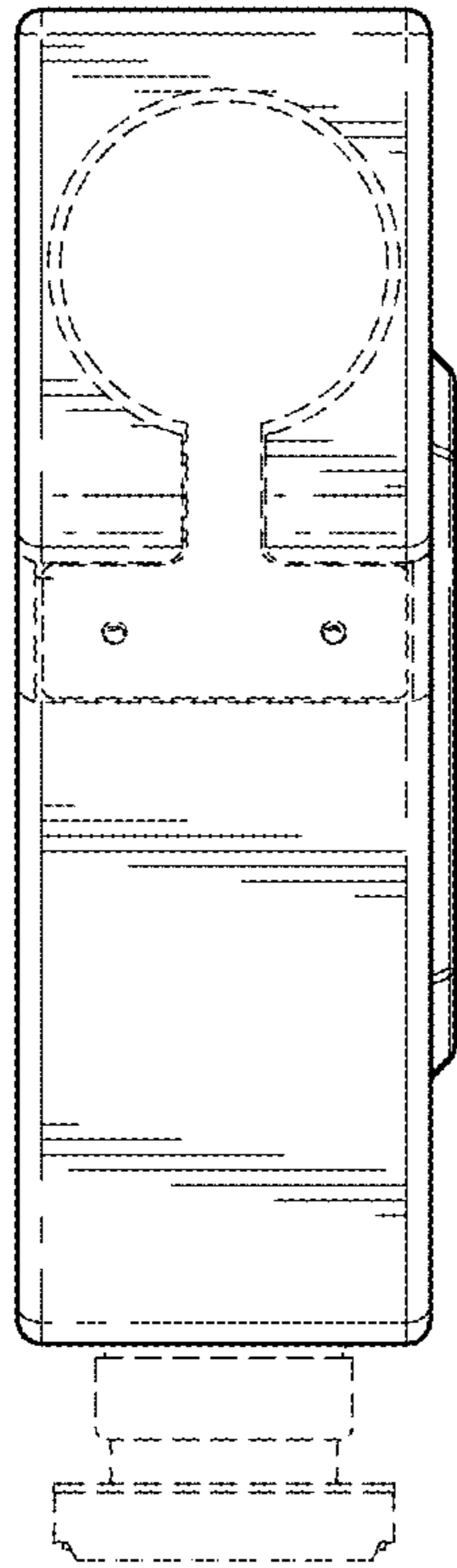


FIG. 3

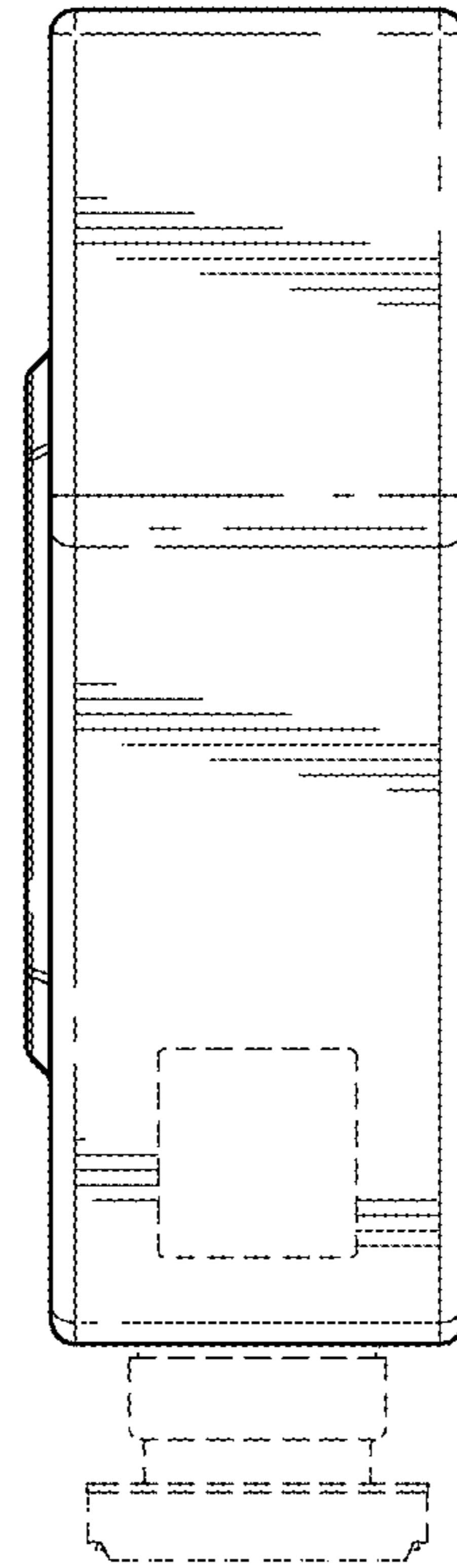


FIG. 4

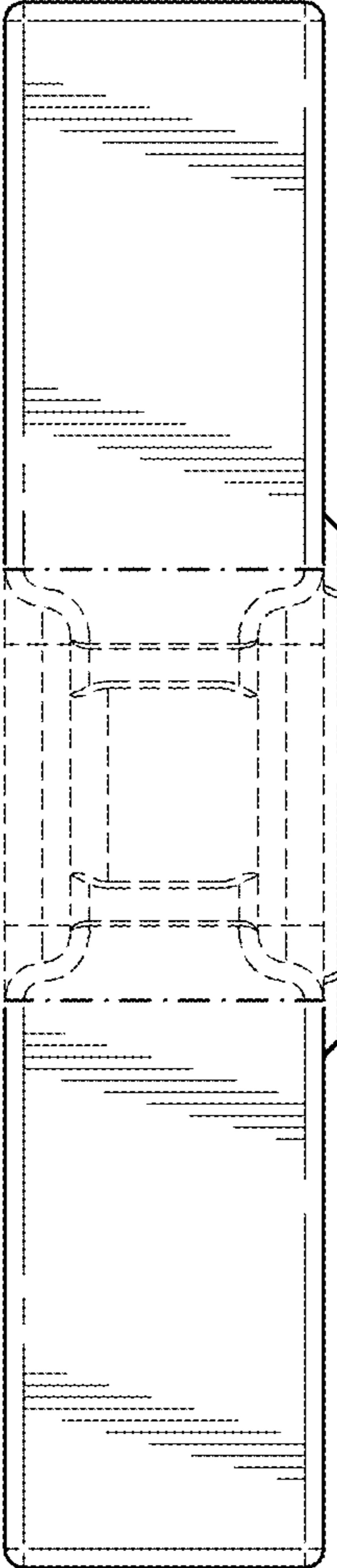


FIG. 5

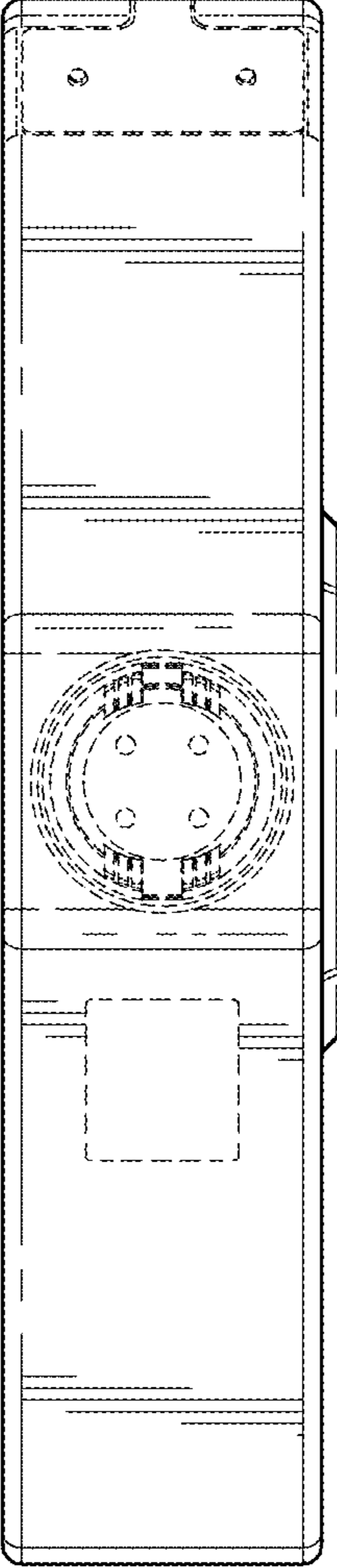


FIG. 6

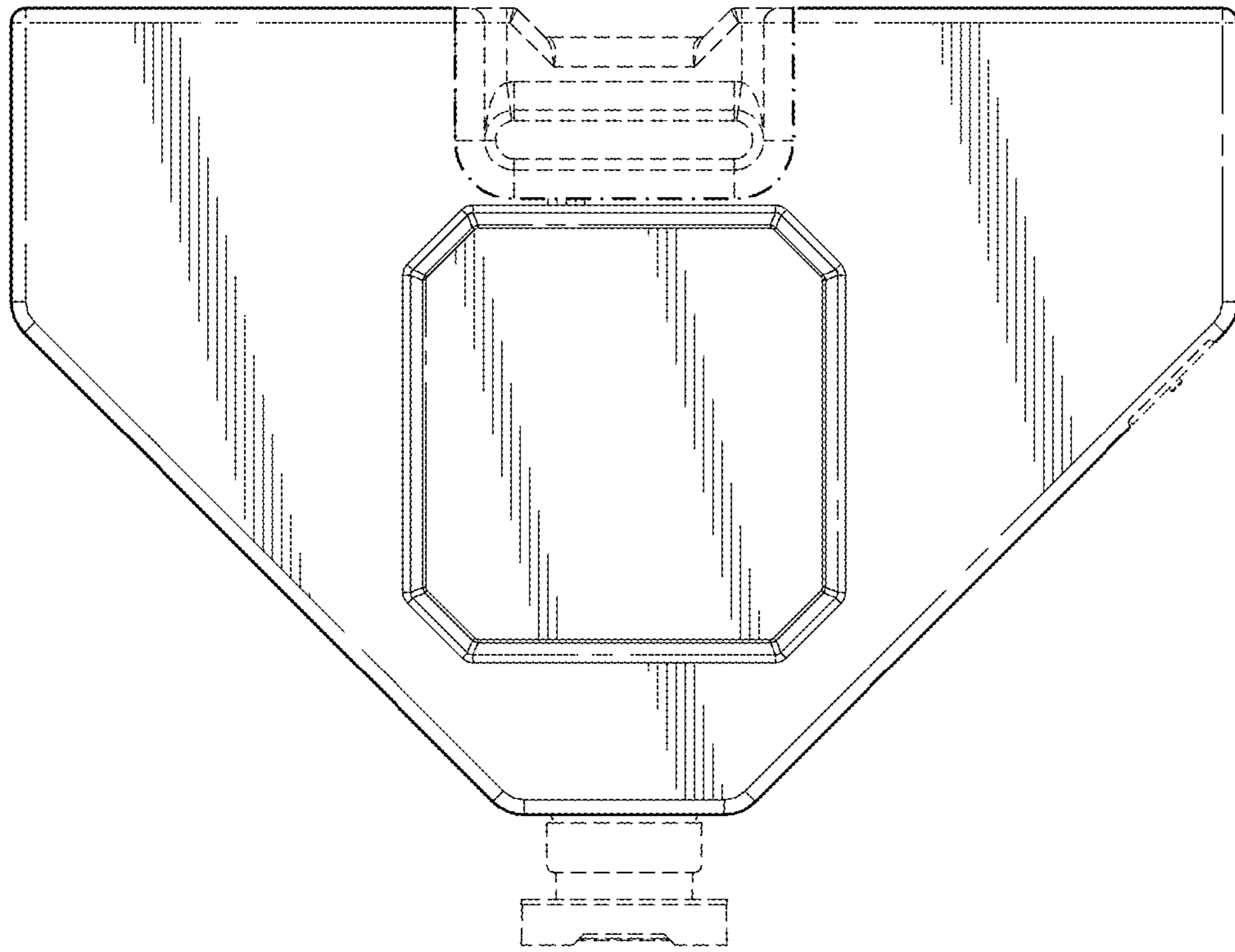


FIG. 7

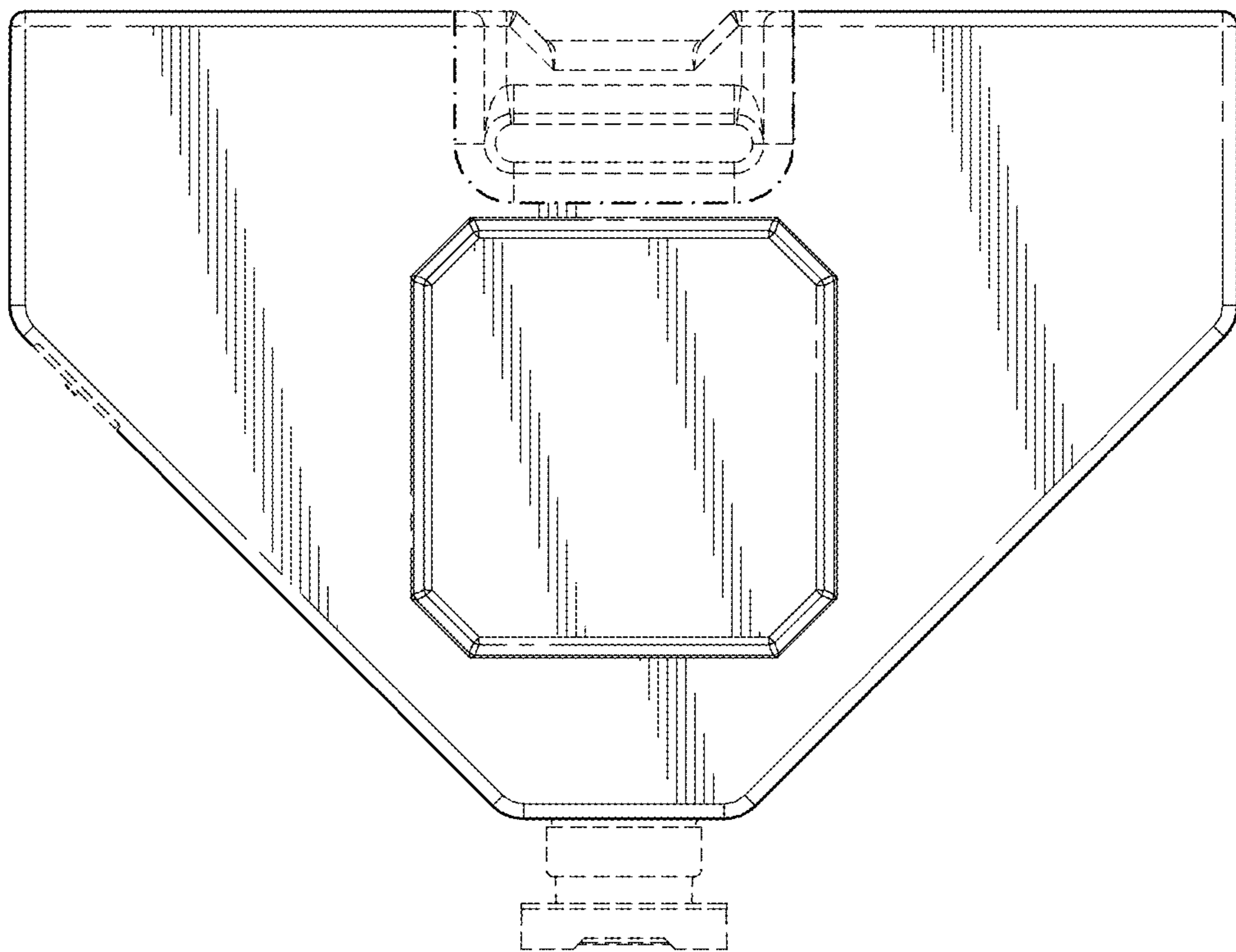


FIG. 8