



US00D908276S

(12) **United States Design Patent** (10) **Patent No.:** **US D908,276 S**
Cheung et al. (45) **Date of Patent:** **** Jan. 19, 2021**

(54) **VAPORIZER DEVICE**

9,781,953 B2 10/2017 Verleur et al.
D815,345 S * 4/2018 Forecast D27/189
(Continued)

(71) Applicant: **JUUL Labs, Inc.**, San Francisco, CA
(US)

FOREIGN PATENT DOCUMENTS

(72) Inventors: **Brandon Cheung**, San Francisco, CA
(US); **James Monsees**, San Francisco,
CA (US); **Kevin Lomeli**, San Francisco,
CA (US)

AU 3458541 5/2013
AU 354858 S S 4/2014
(Continued)

(73) Assignee: **JUUL Labs, Inc.**, San Francisco, CA
(US)

OTHER PUBLICATIONS

(**) Term: **15 Years**

<http://www>,warunalistrik.conVimages/rokok%20elektrik%
20eksklusiffa Wag; Aug. 1, 2012; Rokok Elektrik (E Hcalth
Cigarette) cidw Blog.
<https://encrypted-> tbnO.gstatic.com/images?q=
tbn:ANd9GcTsMxeFuSA9zsa6PjN7wEx <http://tbnO.gstatic.com/
images?q=tbn:ANd9GcTsMxeFuSA9zsa6PjN7wEx>
gmRsvEdcF02Gw8G211hmoVt0X u0; Jul. 23, 2018; Juul Starter
Kit w/ Pods.

(21) Appl. No.: **29/654,824**

(22) Filed: **Jun. 27, 2018**

(Continued)

Related U.S. Application Data

Primary Examiner — Susan Bennett Hattan
Assistant Examiner — Rebecca Tsehaye
(74) *Attorney, Agent, or Firm* — Mintz Levin Cohn Ferris
Glovsky and Popeo, P.C.

(63) Continuation of application No. 29/646,108, filed on
May 1, 2018.

(51) **LOC (13) Cl.** **27-02**

(52) **U.S. Cl.**
USPC **D27/127**

(58) **Field of Classification Search**
USPC D27/162, 100, 101, 163–165, 167, 172,
D27/174, 175, 176, 183, 185–194;
D24/110, 110.5; 128/202.21, 203.12;
131/273, 274, 191, 330, 329
CPC A24F 47/002; A24F 47/006; A24F 47/008;
A61M 15/00; A61M 15/06
See application file for complete search history.

(57) **CLAIM**

The ornamental design for a vaporizer device, as shown and
described.

DESCRIPTION

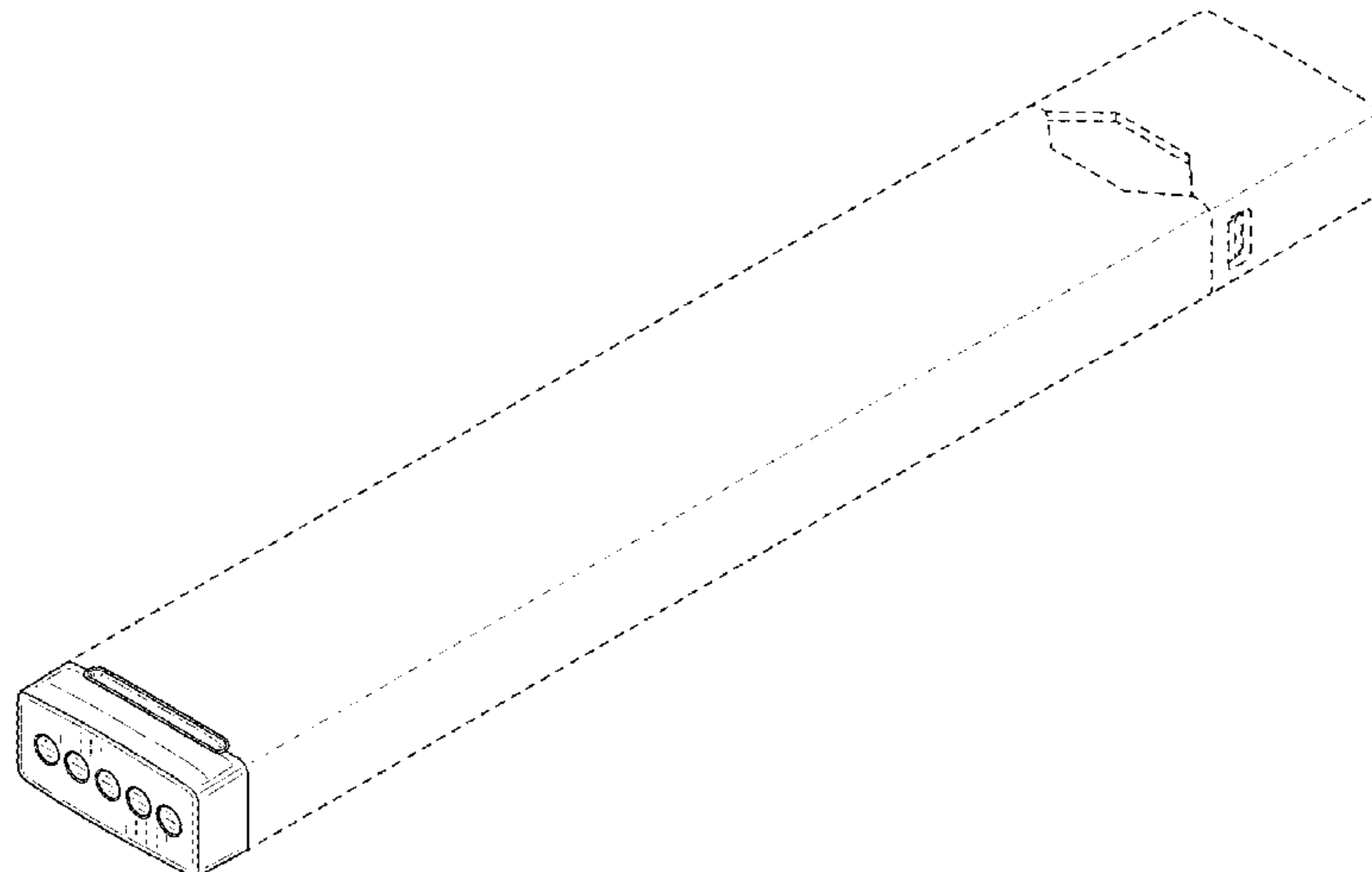
FIG. 1 is a bottom, front, and right side perspective view of
a vaporizer device of our design;
FIG. 2 is a top, rear, and right side perspective view thereof;
FIG. 3 is a front view thereof;
FIG. 4 is a rear view thereof;
FIG. 5 is a left side view thereof;
FIG. 6 is a right side view thereof;
FIG. 7 is a top view thereof; and,
FIG. 8 is a bottom view thereof.
The dash-dash broken lines illustrate portions of the vapor-
izer device or environment that form no part of the claimed
design.

(56) **References Cited**

U.S. PATENT DOCUMENTS

D346,581 S * 5/1994 Tattari D13/103
D532,927 S * 11/2006 Sann D27/101
D750,320 S * 2/2016 Verleur A24F 47/008
D27/101
D752,278 S 3/2016 Verleur et al.

1 Claim, 5 Drawing Sheets



(56)

References Cited

U.S. PATENT DOCUMENTS

D819,881	S *	6/2018	Qiu	D27/101
D825,102	S *	8/2018	Bowen	D27/167
D827,920	S *	9/2018	Fornarelli	D27/101
10,076,139	B2	9/2018	Monsees et al.		
D834,702	S *	11/2018	Evans	D24/110
D836,831	S *	12/2018	Cividi	D27/162
10,159,282	B2	12/2018	Monsees et al.		
D843,650	S *	3/2019	Verleur	D27/172
D844,229	S *	3/2019	Sherwood	D27/162
D849,996	S *	5/2019	Duque	D27/194
D851,830	S *	6/2019	Lomeli	D27/194
D861,975	S	10/2019	Bowen et al.		
D870,959	S	12/2019	Leon Duque et al.		
D877,971	S	3/2020	Bowen et al.		
2015/0305409	A1	10/2015	Verleur et al.		
2016/0366947	A1	12/2016	Monsees et al.		
2017/0071256	A1	3/2017	Verleur et al.		
2017/0258133	A1	9/2017	Ampolini et al.		
2018/0077967	A1	3/2018	Hatton et al.		
2018/0153220	A1	6/2018	Verleur et al.		
2020/0000146	A1	1/2020	Anderson et al.		

FOREIGN PATENT DOCUMENTS

CN	303103390	2/2015
CN	304067430	3/2017
ID	A00201800286	2/2018
ID	A00201800289	2/2018
ID	A00201802176	8/2018
ID	A00201802180	8/2018
JP	D1463338	3/2013
TW	201805033 A	2/2018
TW	201815301 A	5/2018

OTHER PUBLICATIONS

<<https://encrypted-tbnO.gstatic.com/images?imgref=aGMXBhOsagfy1bSP> Ilkky4ib-dGIBtqa1t9uAXah6U1XWB4;>gGMXBhOsggyfy1bSP Ilkky4ib-dGIBtqa1t9uAXah6U1XWB4; Oct. 7, 2018, 2; Juul Starter Kit.
 <<https://images-na.sskimages->amazon.comfurnages/1/511q0vRQFZL.jpg>; Mar. 26, 2018; Amazon.com: <[http://Amazon.com:> Original Skin Decal for Pax Juul \(Wrap Only, Device Is Not Included\)—Protective Sticker \(Vans\): Cell Phones & Accessories](http://Amazon.com:> Original Skin Decal for Pax Juul (Wrap Only, Device Is Not Included)—Protective Sticker (Vans): Cell Phones & Accessories).
 <<https://tshop.r10s.com/184/e44/19a9/ee14/706f/21f8/510>c/1100e889a554ab3a295840.jpg>; Mar. 6, 2018; Skin for Pax Juul - Red Cigarette Packl MightySkins Protective, Durable, and Unique Vinyl Decal wrap covert Easy to Apply, Remove, and Chance Styles.
<https://encrypted-tbnO.gstatic.comVimages?q=tbn:ANId9GcRXGQ&XCo4x7J45i6Y7Nvc03mbaEjTDiDreDL0GKSAkO-Haw1VVwA;> Mar. 23, 2018; Supreme Clouds -Juul Skin.
<https://images-nasskimages-amazon.com/images/1/41nmlbGfvFLjpg>; <<http://amazon.com/images/1/41nmlbGfvFLipa;>> Mar. 10, 2018; Juul Decal by WrapBeasts.com <<http://WrapBeasts.com>> I Juul Skin I Juul Wrap I Supreme X Gucci Snake: Amazon.ca: Cell Phones & Accessories.
<https://m.post.naver.com/viewer/postView.nhn?volumeNo=11914904&memberNo=36192990&vType=Vertical> (Jan. 08, 2018).
<https://www.ejuiceconnect.com/Juul-Basic-Kit-by-Juul-p/juul-black-basic-kit.htm> (Apr. 4, 2018).
 syracuse's Logo?Central NY News?Is that a flash drive or an e-cig? What Central NY parents should know about, Juul https://www.syracuse.com/news/2018/03/is_that_a_flash_drive_or_an_e-cig_what_central_ny_parents_should_know_about_juul_1.html.

* cited by examiner

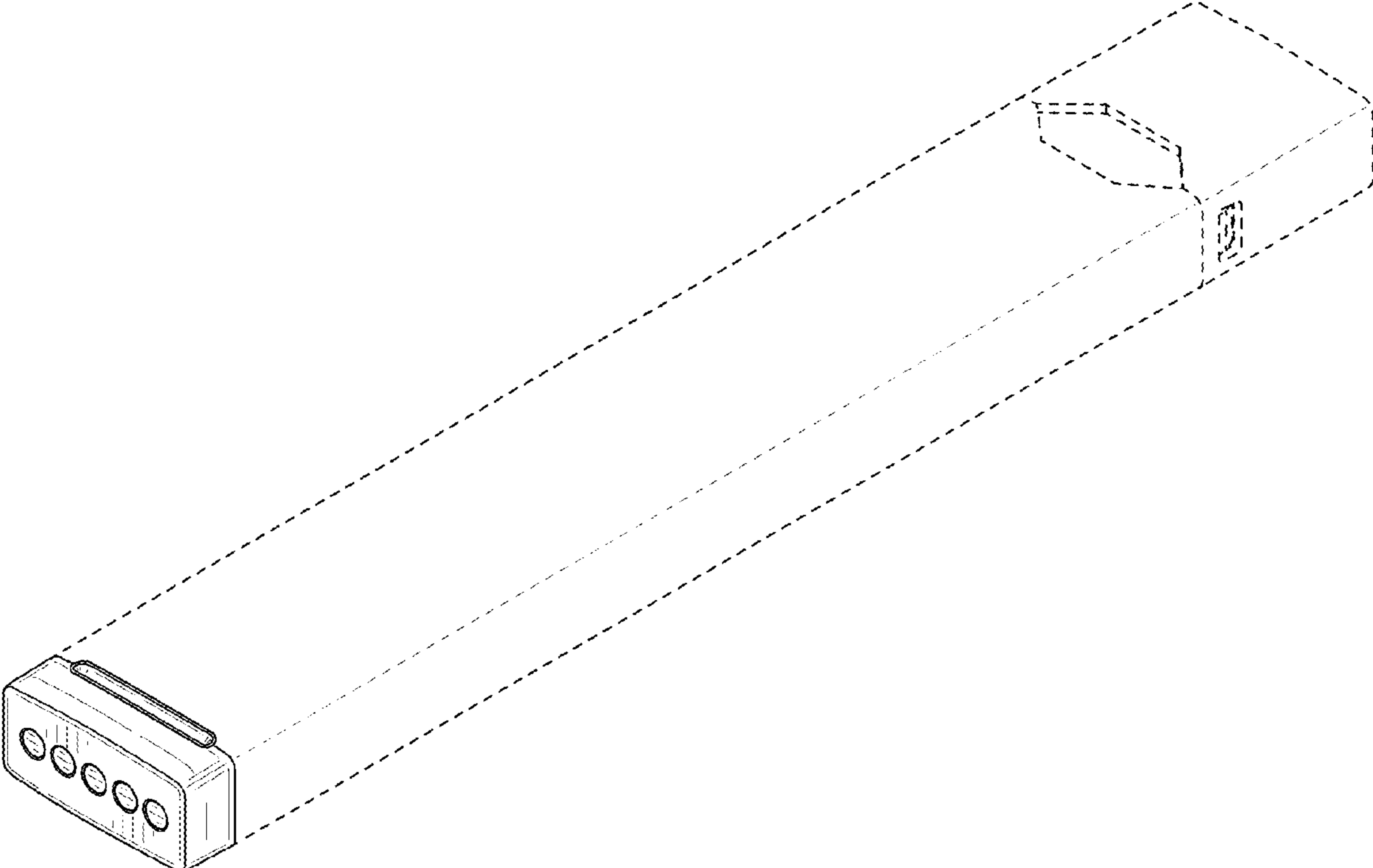


FIG. 1

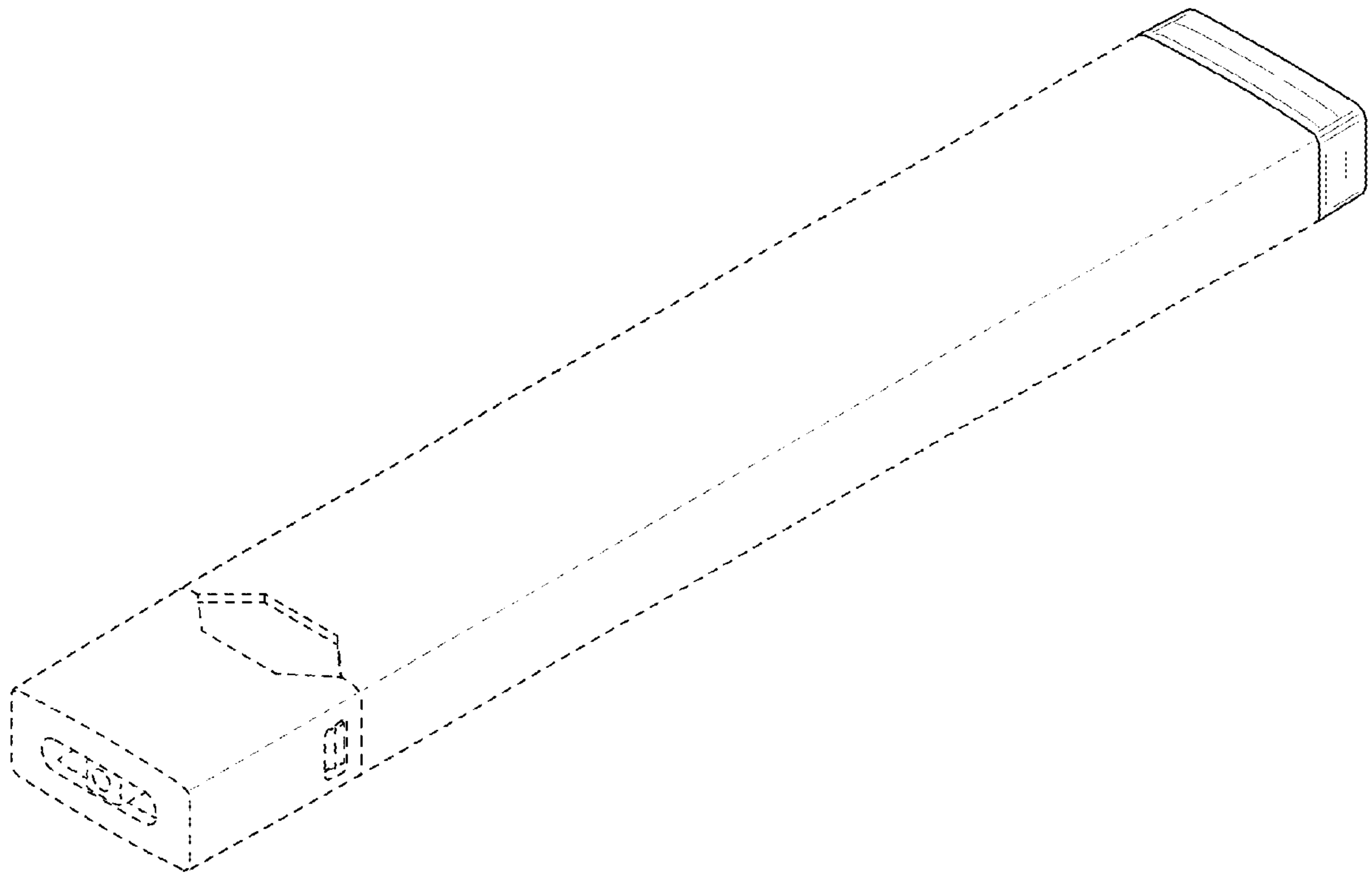


FIG. 2

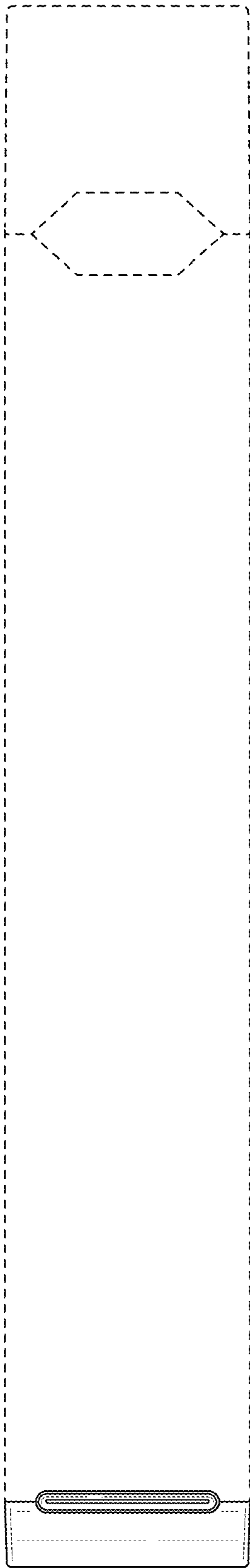


FIG. 3

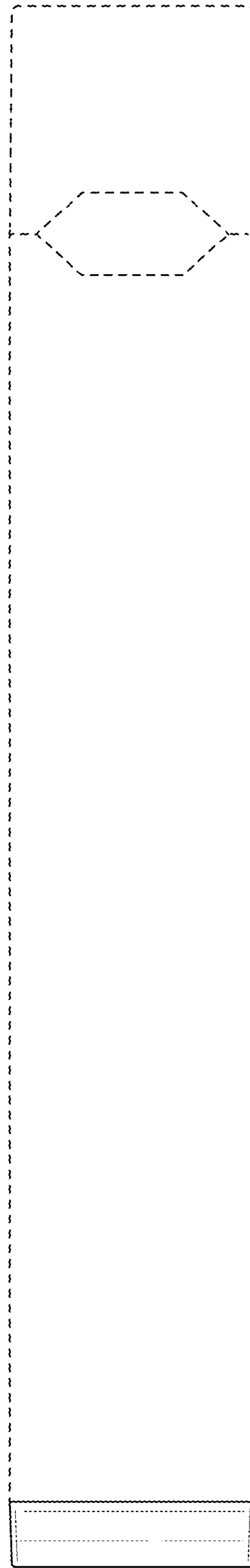


FIG. 4



FIG. 5

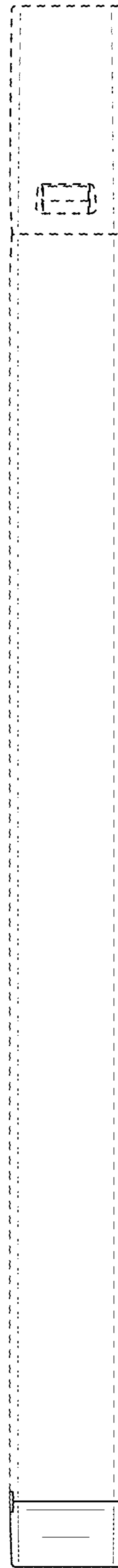


FIG. 6

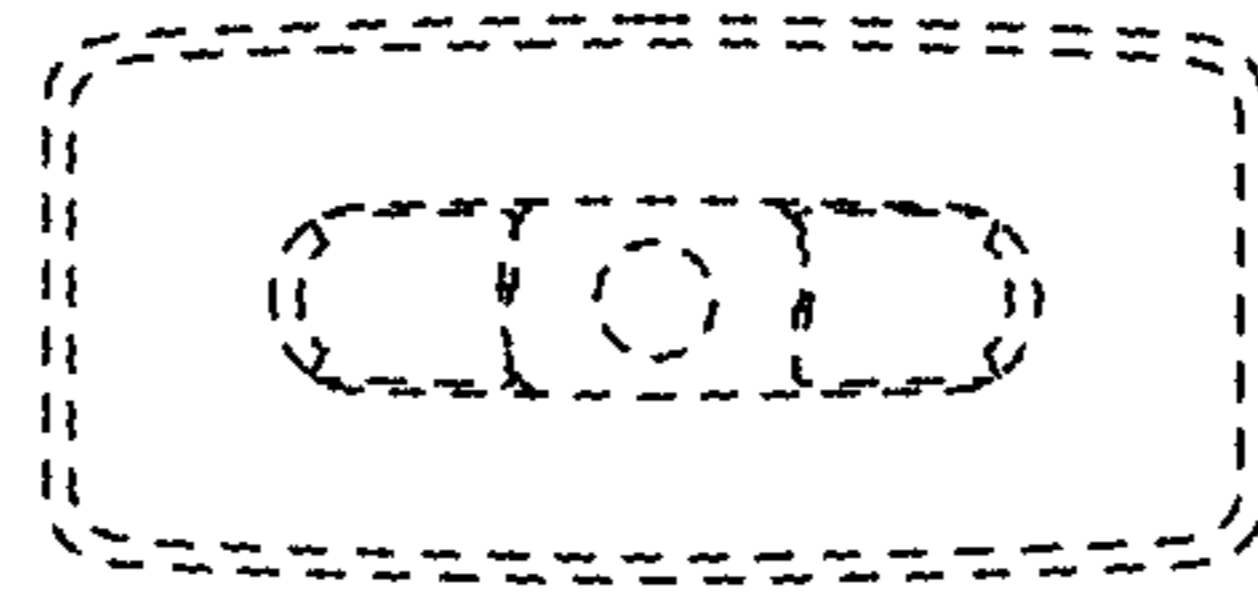


FIG. 7

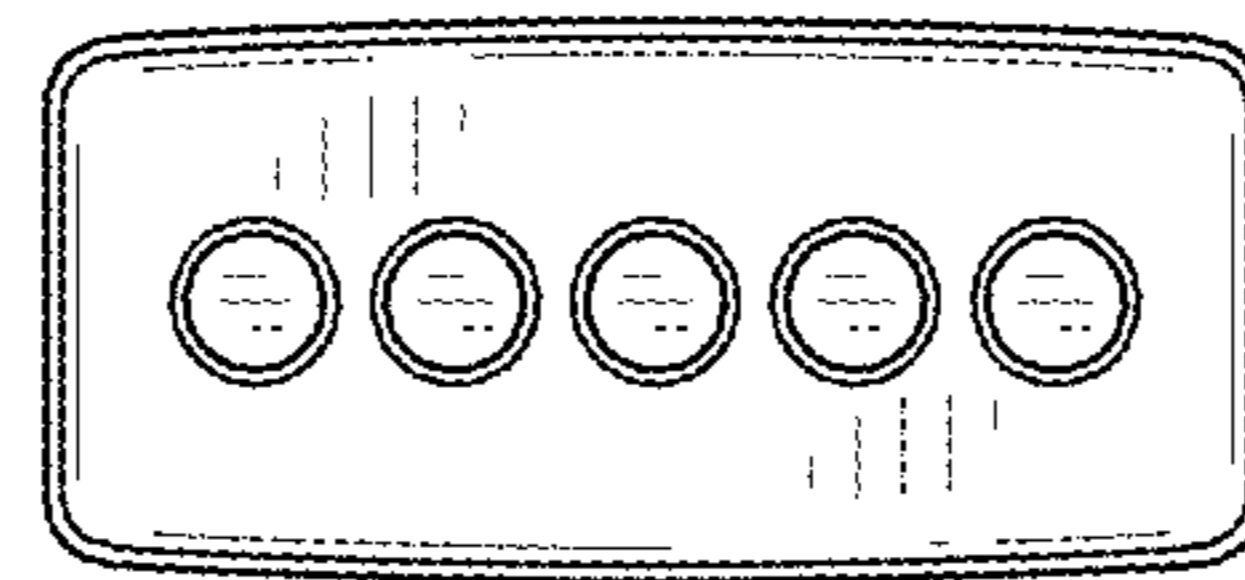


FIG. 8