



US00D908274S

(12) **United States Design Patent**  
**Wang**

(10) **Patent No.:** **US D908,274 S**  
(45) **Date of Patent:** **\*\* Jan. 19, 2021**

(54) **LIGHT STAND**

(71) Applicant: **Zhao-Jian Wang**, Shenzhen (CN)

(72) Inventor: **Zhao-Jian Wang**, Shenzhen (CN)

(\*\*) Term: **15 Years**

(21) Appl. No.: **29/677,535**

(22) Filed: **Jan. 22, 2019**

(51) **LOC (13) Cl.** ..... **26-05**

(52) **U.S. Cl.**  
USPC ..... **D26/138; D26/63**

(58) **Field of Classification Search**  
USPC ..... D26/63, 72, 74, 76, 78-83, 85, 86, 88,  
D26/90, 93, 111, 113, 118, 119, 120, 121,  
D26/122, 138, 139, 140, 141, 142, 152  
CPC ..... F21S 2/00; F21S 4/00; F21S 4/003; F21S  
4/005; F21S 4/006; F21S 4/007; F21S  
4/008; F21S 6/00; F21S 8/00; F21S  
8/024; F21S 8/026; F21S 8/031; F21S  
8/033; F21S 8/035-037; F21S 8/04; F21S  
8/043; F21S 8/063

See application file for complete search history.

(56) **References Cited**

**U.S. PATENT DOCUMENTS**

D160,084 S *	9/1950	Grossman	.....	D26/107
D290,886 S *	7/1987	Meoli	.....	D26/138
D310,426 S *	9/1990	Rook	.....	D26/138
D330,606 S *	10/1992	Lee	.....	D26/63
D397,234 S *	8/1998	Huang	.....	D26/63
D420,757 S *	2/2000	Peterson	.....	D16/244
D509,014 S *	8/2005	Bonneville	.....	D26/63
D533,578 S *	12/2006	Oka	.....	D16/244
D623,331 S *	9/2010	Rotwitt	.....	D26/63

D759,871 S *	6/2016	Consuegra	.....	D26/63
D816,263 S *	4/2018	Chang	.....	D26/138
D853,613 S *	7/2019	Lien	.....	D26/63
D880,048 S *	3/2020	Zhu	.....	D26/106
D890,982 S *	7/2020	Vartan	.....	F21L 4/00 D26/138

\* cited by examiner

*Primary Examiner* — Natasha Vujcic

(74) *Attorney, Agent, or Firm* — ScienBiziP, P.C.

(57) **CLAIM**

The ornamental design for a light stand, as shown and described.

**DESCRIPTION**

FIG. 1 is a first perspective view of a light stand, showing my design.

FIG. 2 is a second perspective view thereof.

FIG. 3 is a front elevation view thereof.

FIG. 4 is a rear elevation view thereof.

FIG. 5 is a left side elevation view thereof.

FIG. 6 is a right side elevation view thereof.

FIG. 7 is a top plan view thereof.

FIG. 8 is a bottom plan view thereof.

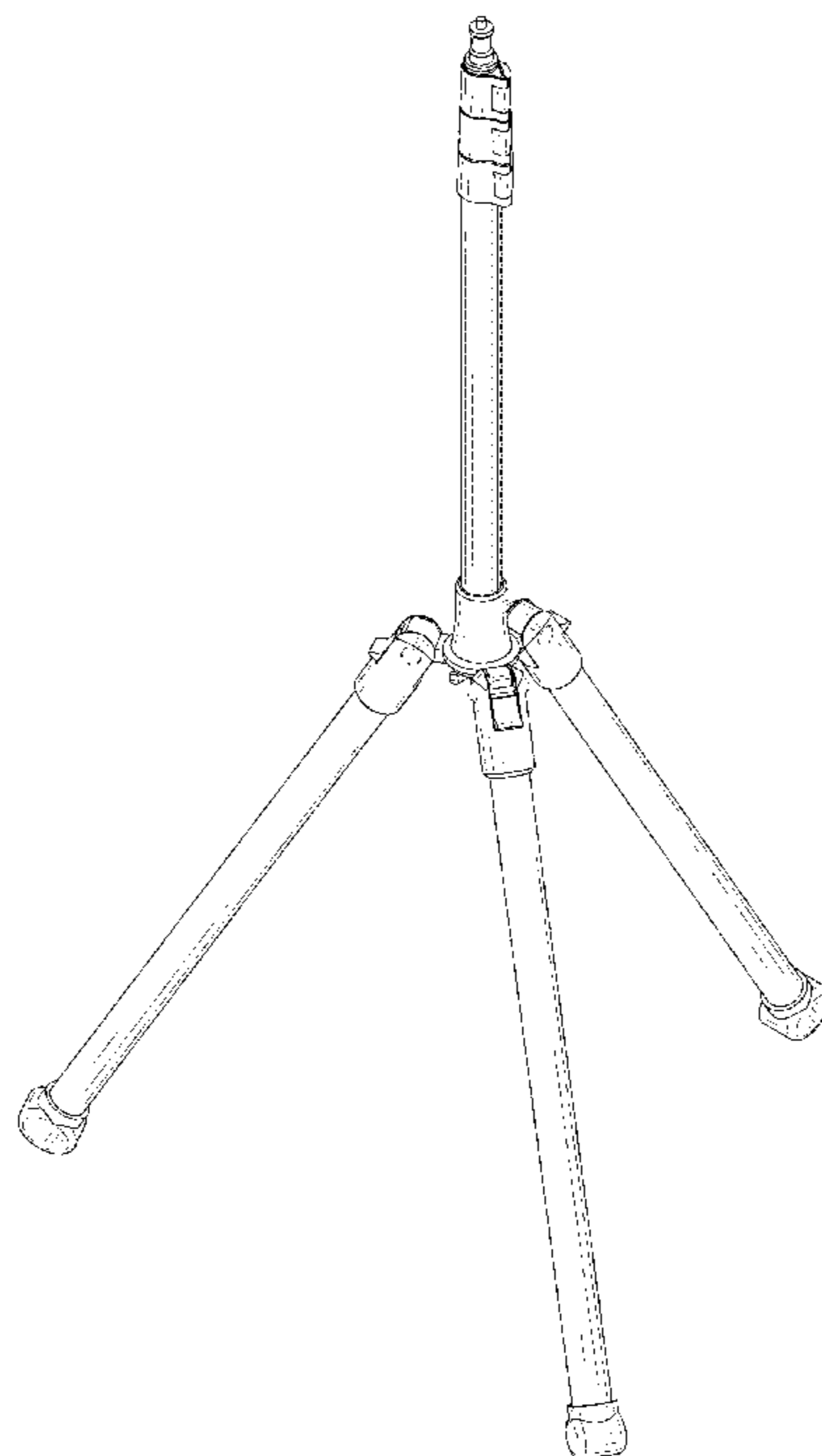
FIG. 9 is a perspective view of the light stand showing the status when the light stand is unfolded.

FIG. 10 is a perspective view of the light stand showing the status when legs of the light stand are folded; and,

FIG. 11 is an enlarged view of a circle labeled 11 in FIG. 7 of the light stand.

The broken lines in the drawings illustrate portions of the light stand which form no part of the claimed design.

**1 Claim, 11 Drawing Sheets**



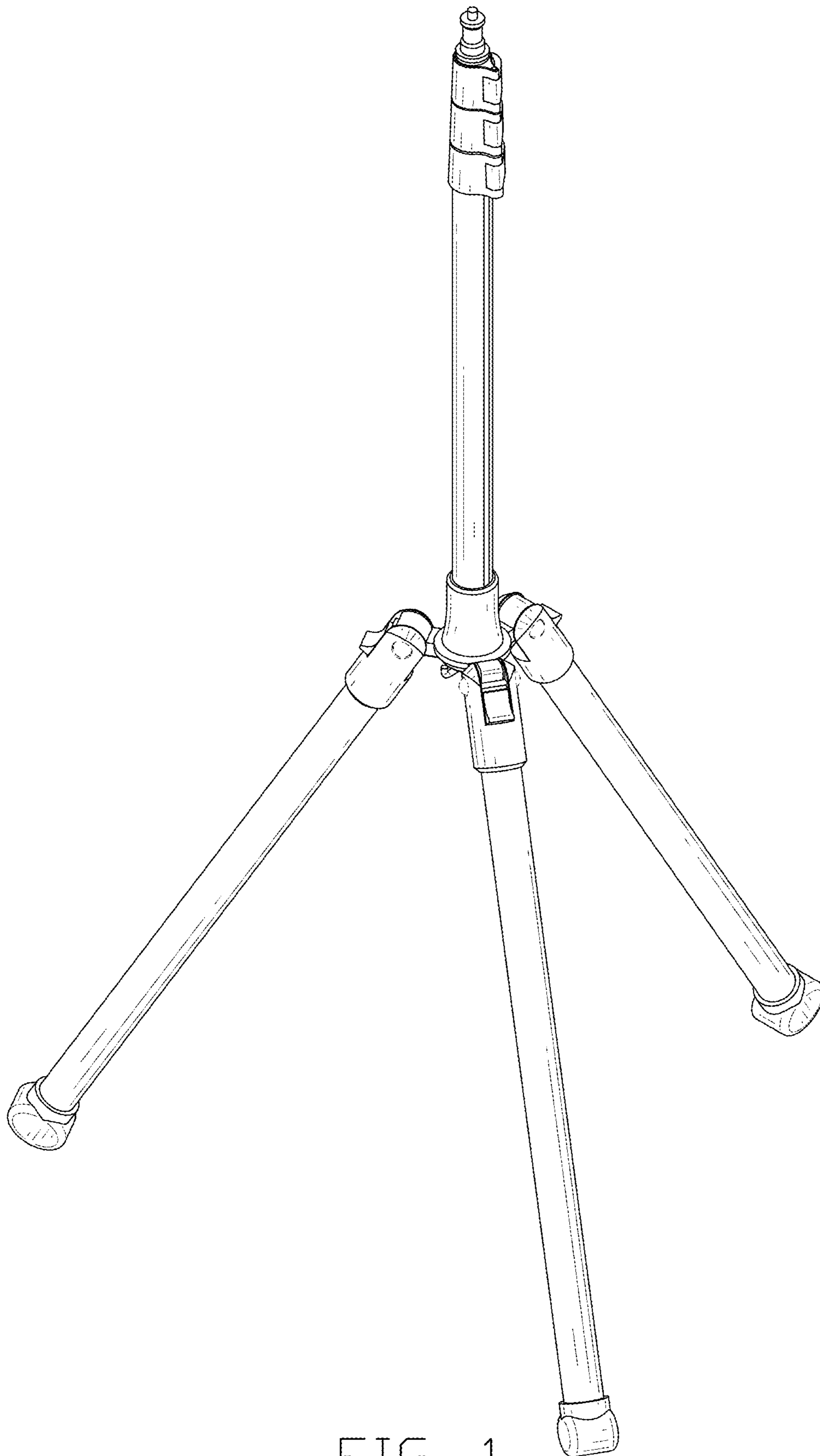


FIG. 1

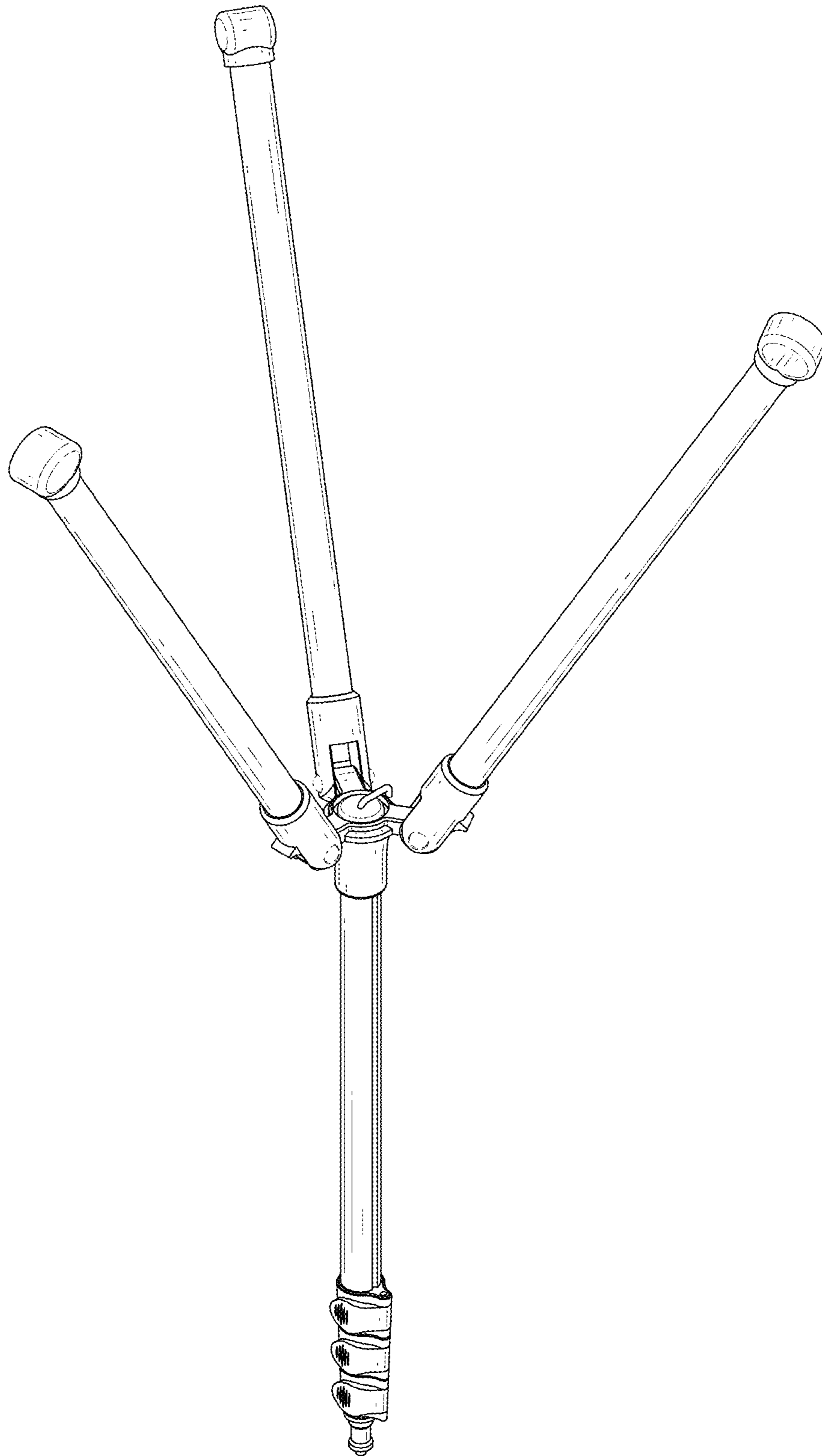


FIG. 2

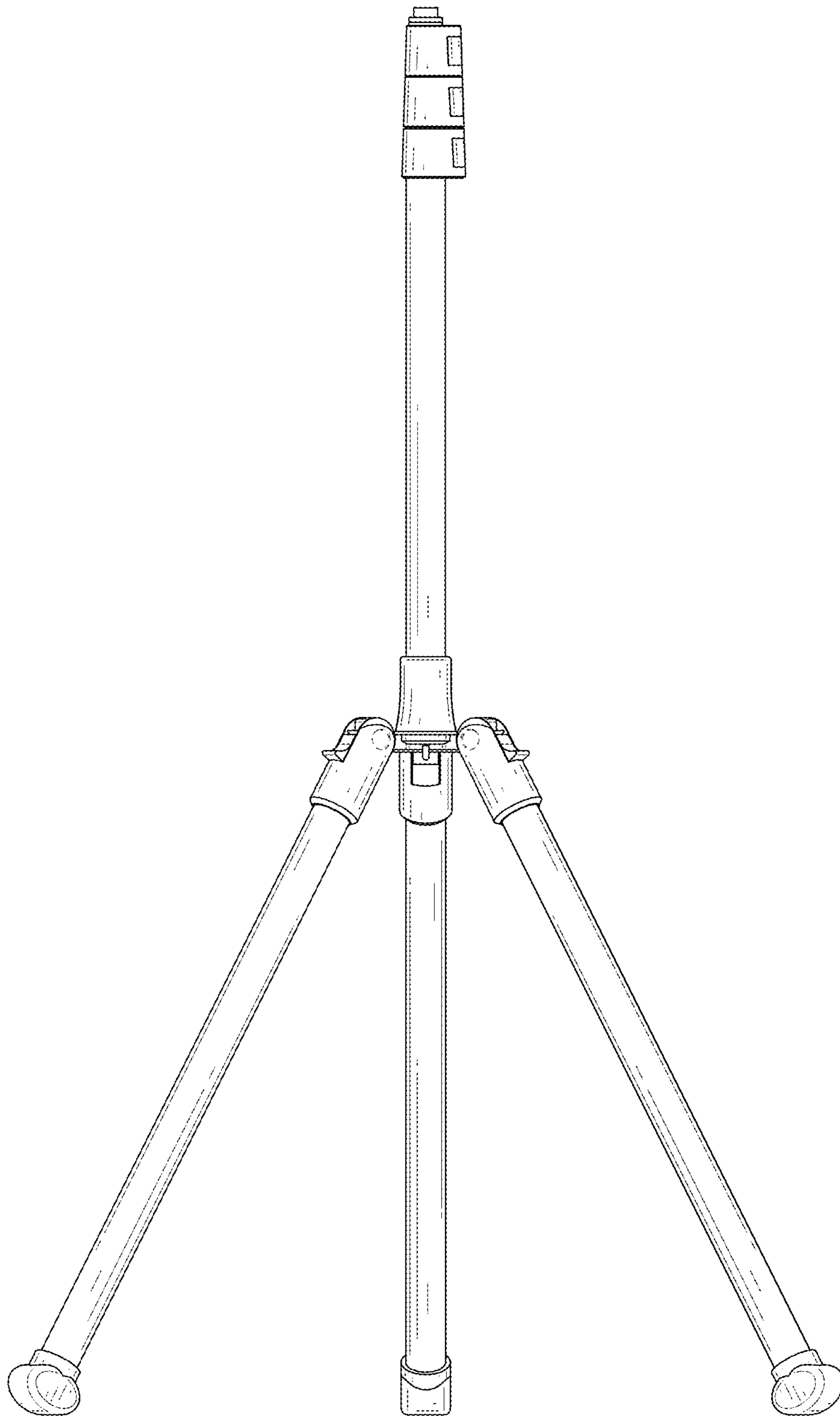


FIG. 3

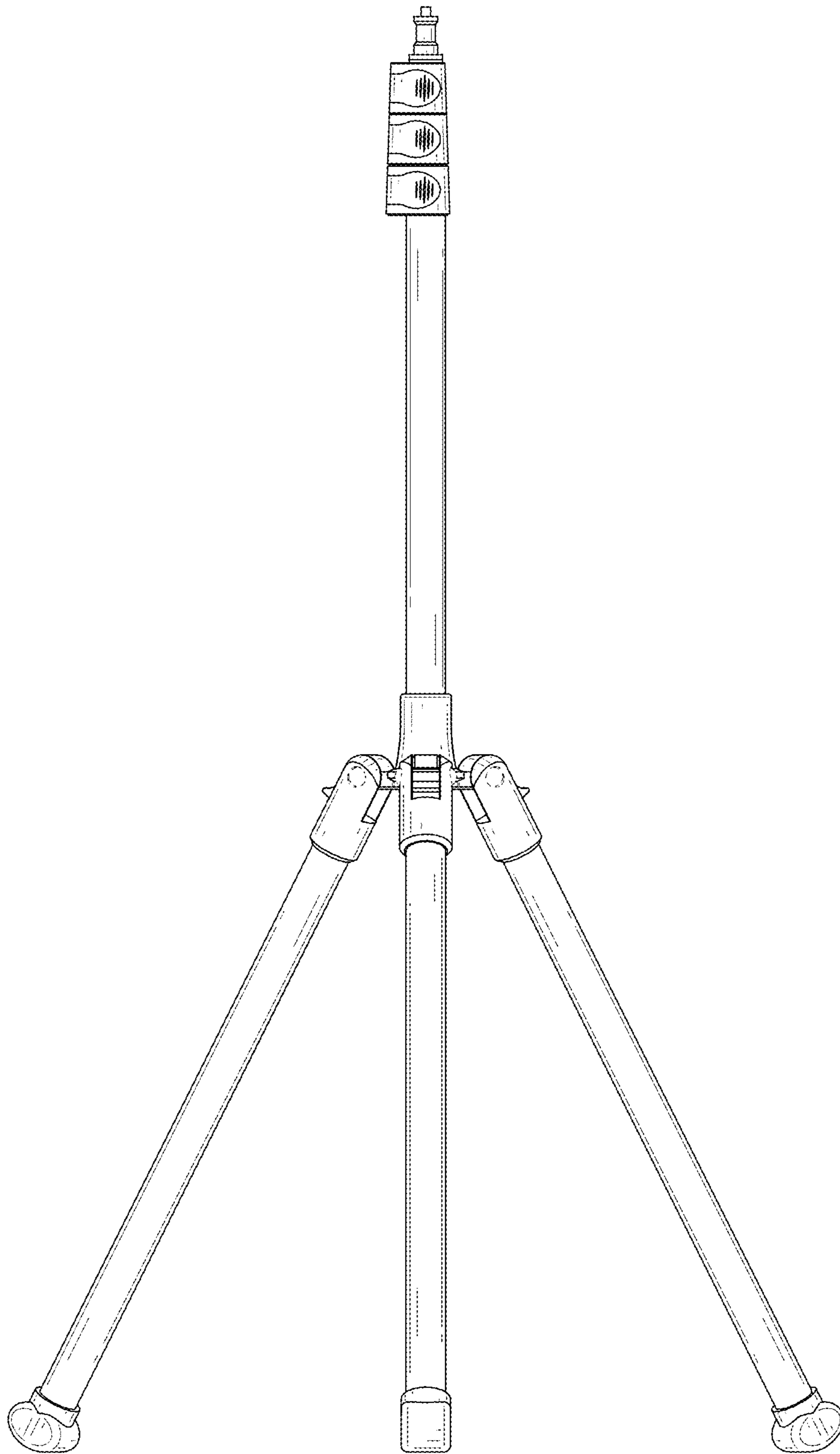


FIG. 4

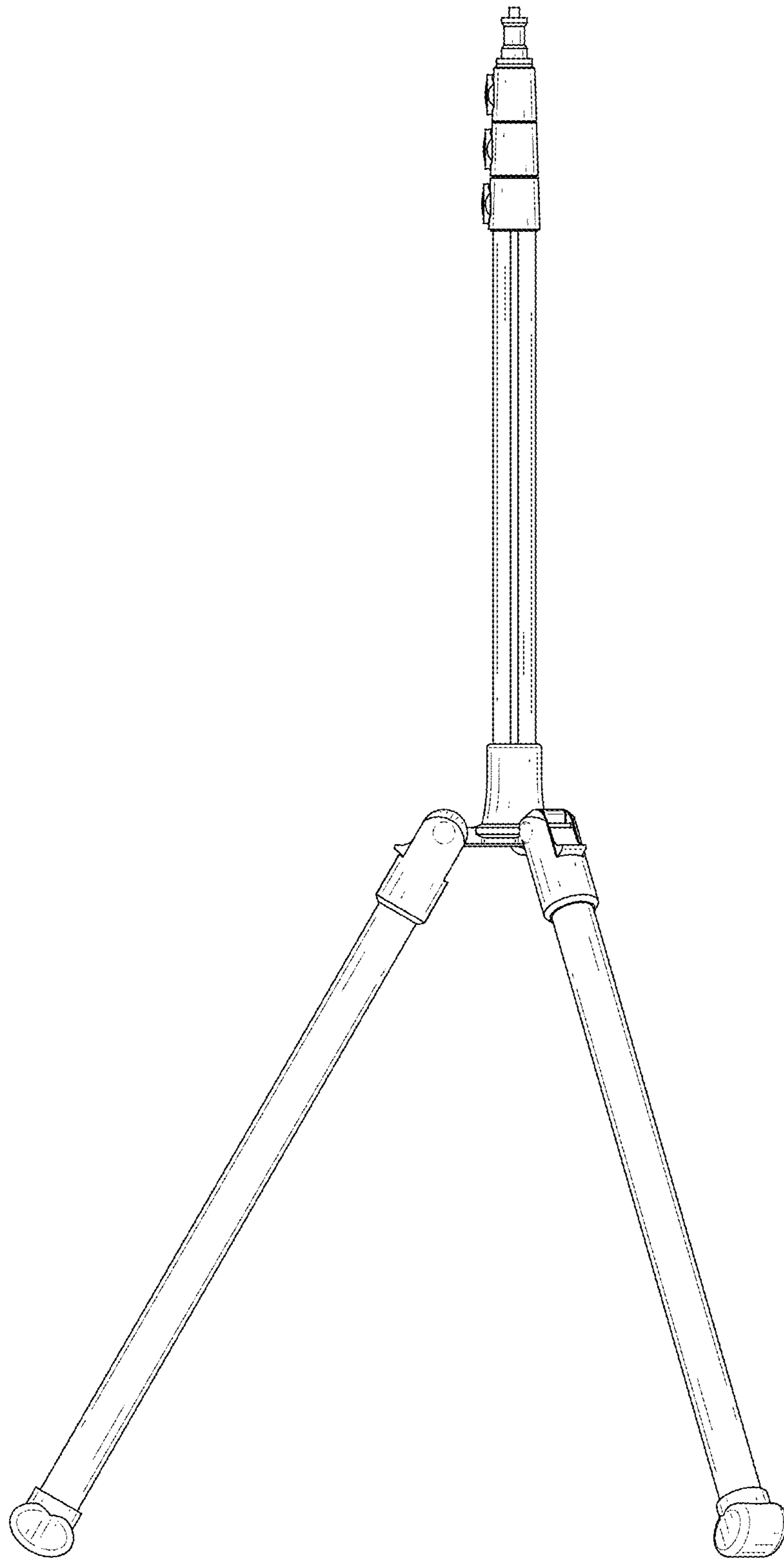


FIG. 5

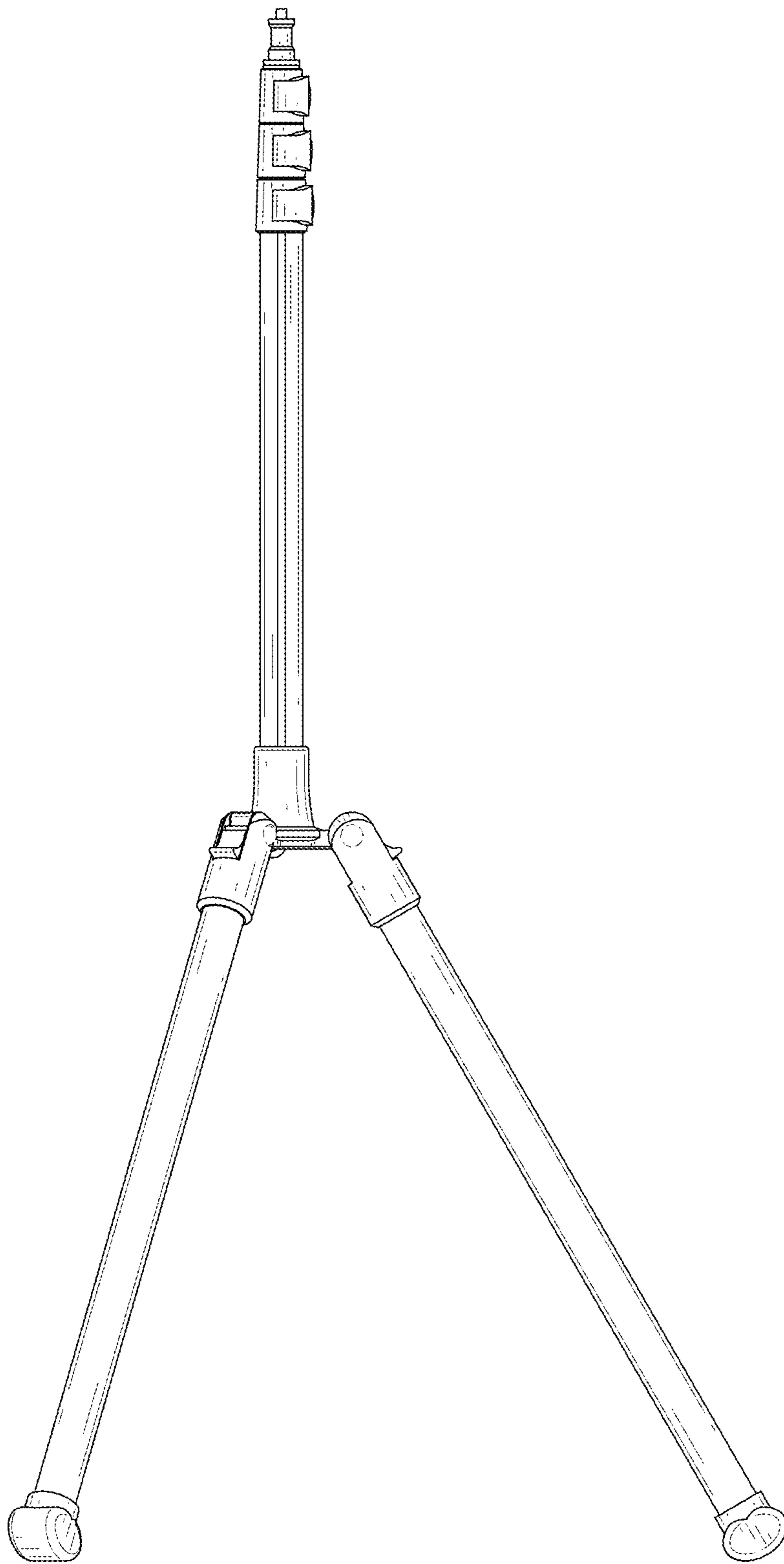


FIG. 6

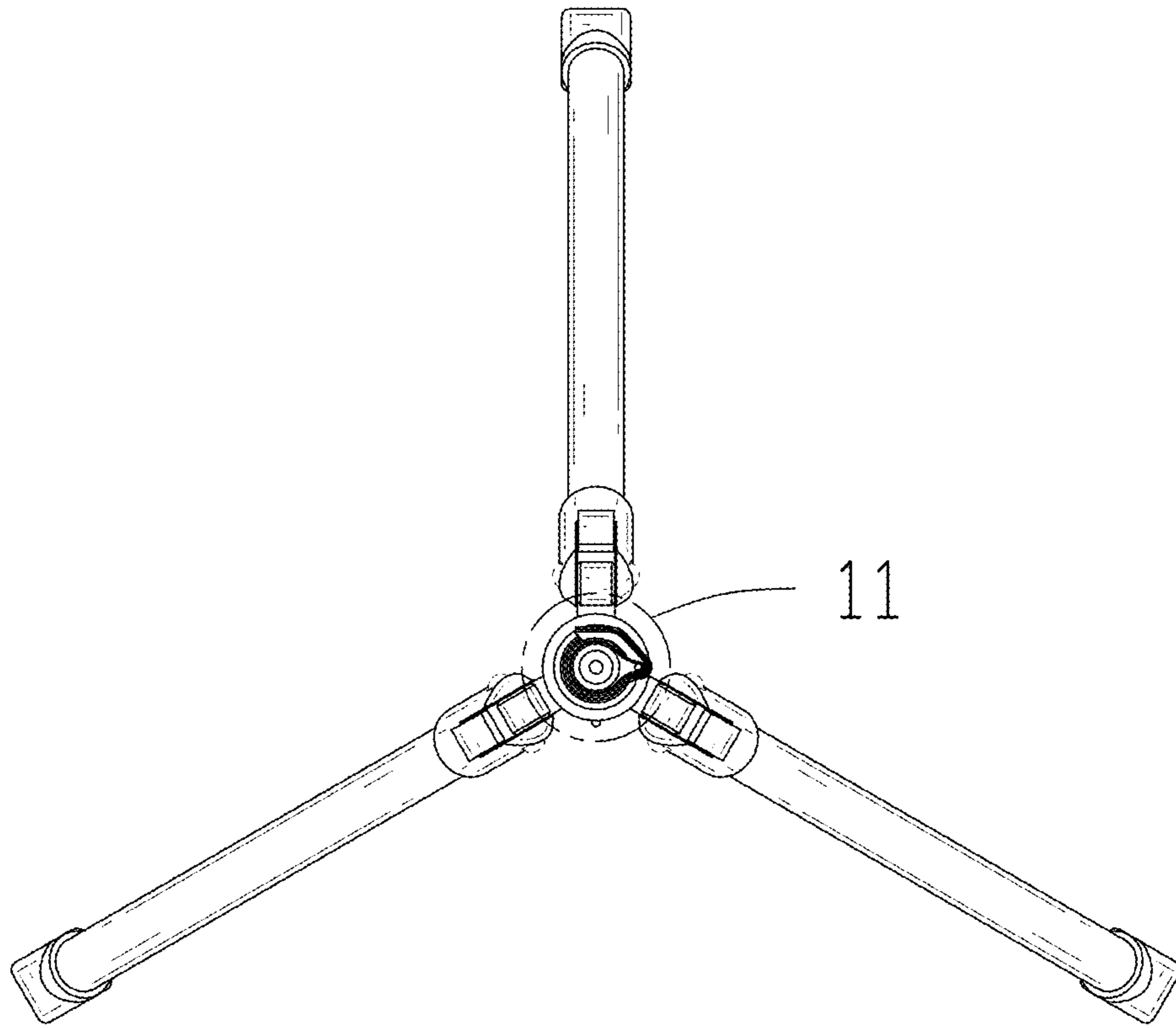


FIG. 7



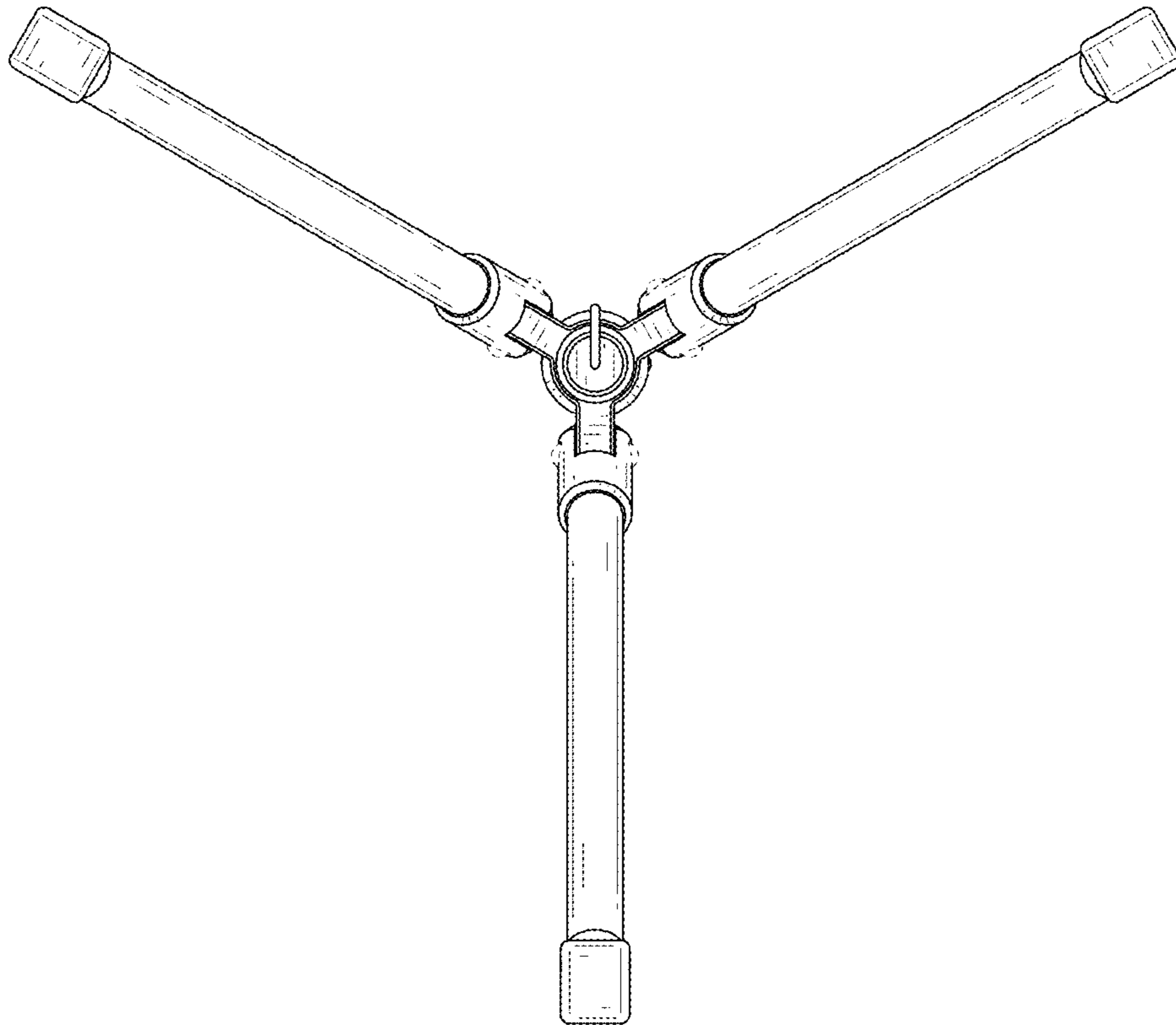


FIG. 8

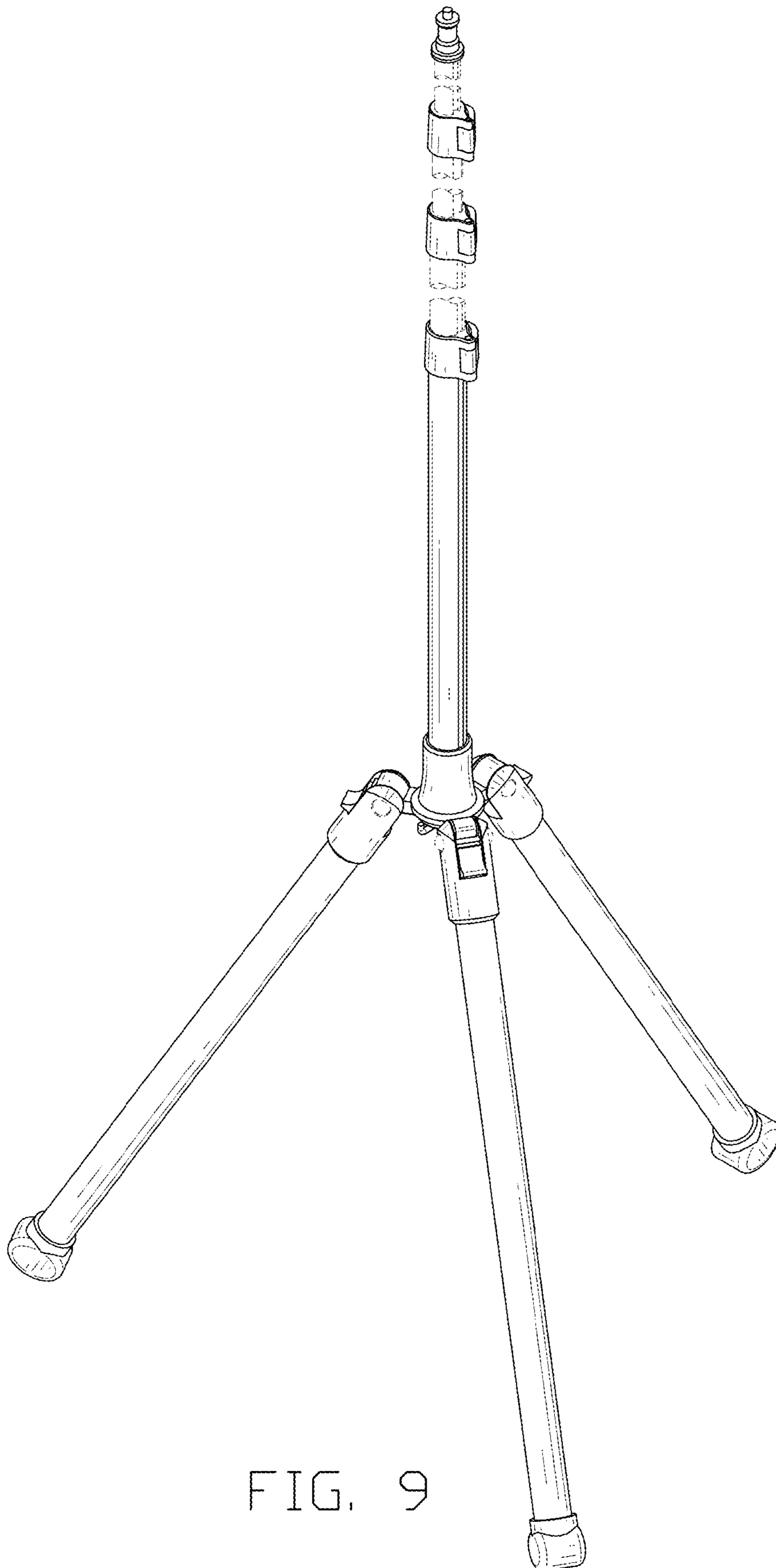


FIG. 9

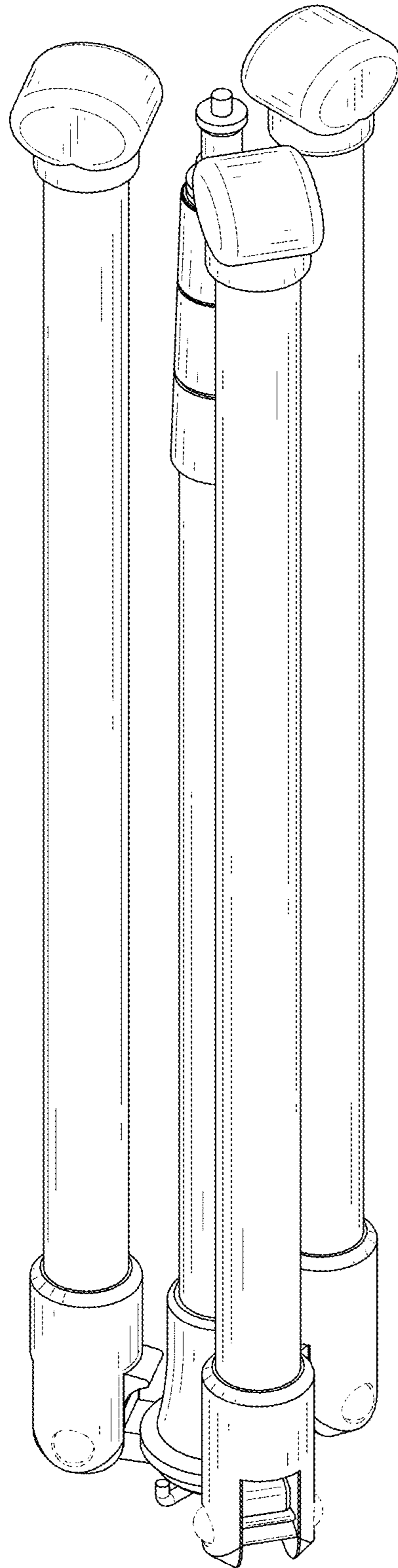


FIG. 10

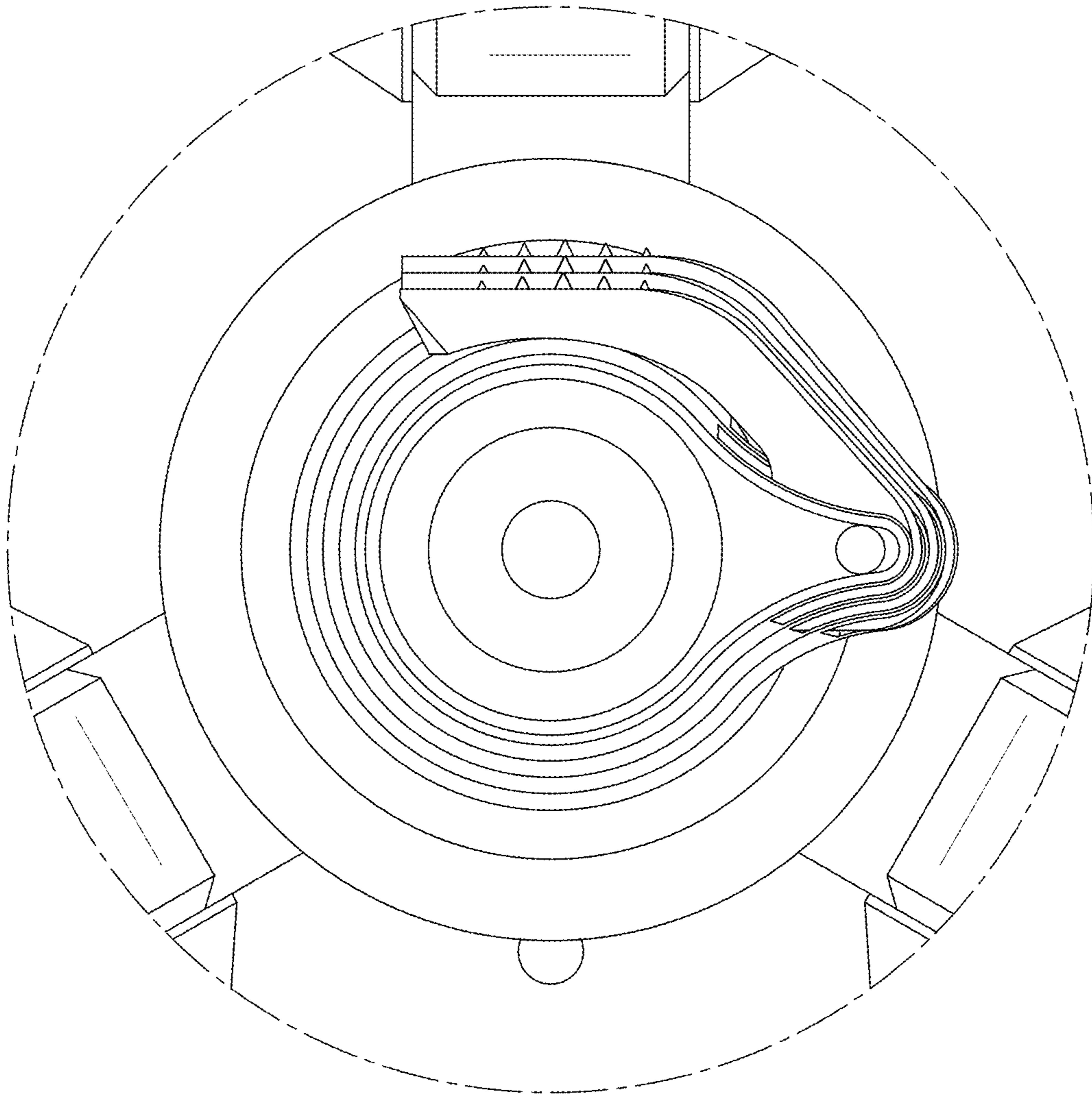


FIG. 11