



US00D908273S

(12) **United States Design Patent**
Romano

(10) **Patent No.:** **US D908,273 S**

(45) **Date of Patent:** **** Jan. 19, 2021**

(54) **SPOTLIGHT**

(71) Applicant: **ONTEL PRODUCTS CORPORATION**, Fairfield, NJ (US)

(72) Inventor: **Matthew Romano**, Maplewood, NJ (US)

(**) Term: **15 Years**

(21) Appl. No.: **29/664,007**

(22) Filed: **Sep. 20, 2018**

(51) **LOC (13) Cl.** **26-05**

(52) **U.S. Cl.**
USPC **D26/138**

(58) **Field of Classification Search**
USPC D26/72, 74, 76, 78-83, 85, 86, 88, 90,
D26/93, 118, 119, 120, 121, 122, 138,
D26/139, 140, 141, 142, 152
CPC F21S 2/00; F21S 4/00; F21S 4/003; F21S
4/005; F21S 4/006
See application file for complete search history.

(56) **References Cited**

U.S. PATENT DOCUMENTS

D670,022 S	*	10/2012	Green	D26/128
D670,023 S	*	10/2012	Green	D26/128
D708,388 S	*	7/2014	Lee	D26/120
D720,093 S	*	12/2014	Lee	D26/120
D759,291 S	*	6/2016	Chen	D26/120
D764,700 S	*	8/2016	Chen	D26/118

D781,481 S	*	3/2017	Chen	D26/65
D799,104 S	*	10/2017	Chen	D26/120
D804,075 S	*	11/2017	Fang	D26/65
D820,506 S	*	6/2018	Chen	D26/120
D863,660 S	*	10/2019	Stanley	D26/138
D866,057 S	*	11/2019	Lafleur	D26/120
D869,720 S	*	12/2019	Recker	D26/63
D869,721 S	*	12/2019	Recker	D26/63
D875,983 S	*	2/2020	Zhu	D26/63

* cited by examiner

Primary Examiner — Mark A Goodwin

Assistant Examiner — Benjamin M Weeks

(74) *Attorney, Agent, or Firm* — Dickinson Wright PLLC

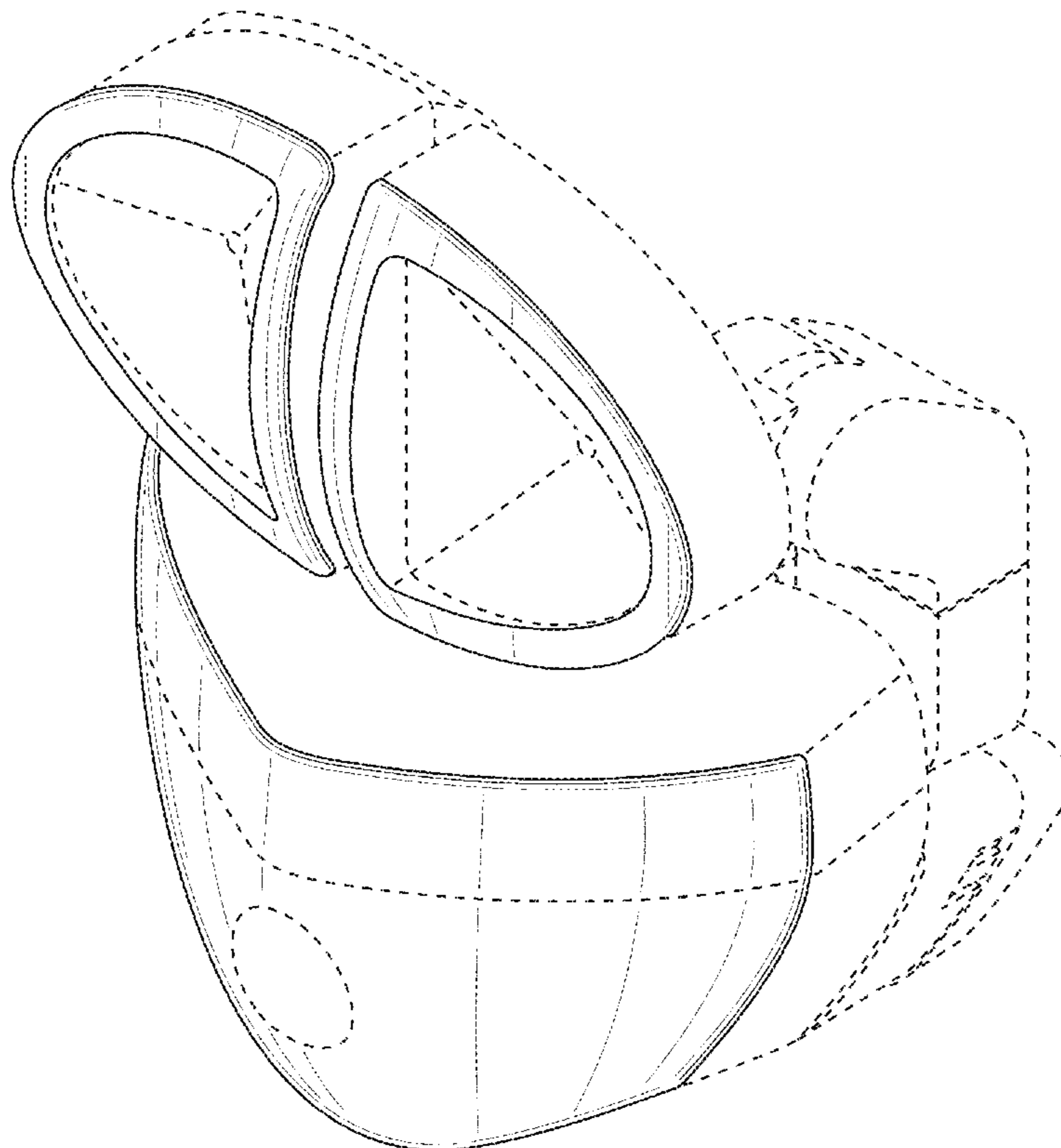
(57) **CLAIM**

The ornamental design for a spotlight, as shown and described.

DESCRIPTION

FIG. 1 is a perspective view of the spotlight; FIG. 2 is a front view of the spotlight; FIG. 3 is a left side view of the spotlight; FIG. 4 is a right side view of the spotlight; FIG. 5 is a top view of the spotlight; and, FIG. 6 is a bottom view of the spotlight. The back view of the spotlight and broken lines in FIGS. 1-6 form no part of the claimed design. The broken lines represent portions of the Spotlight that form no part of the claimed design.

1 Claim, 6 Drawing Sheets



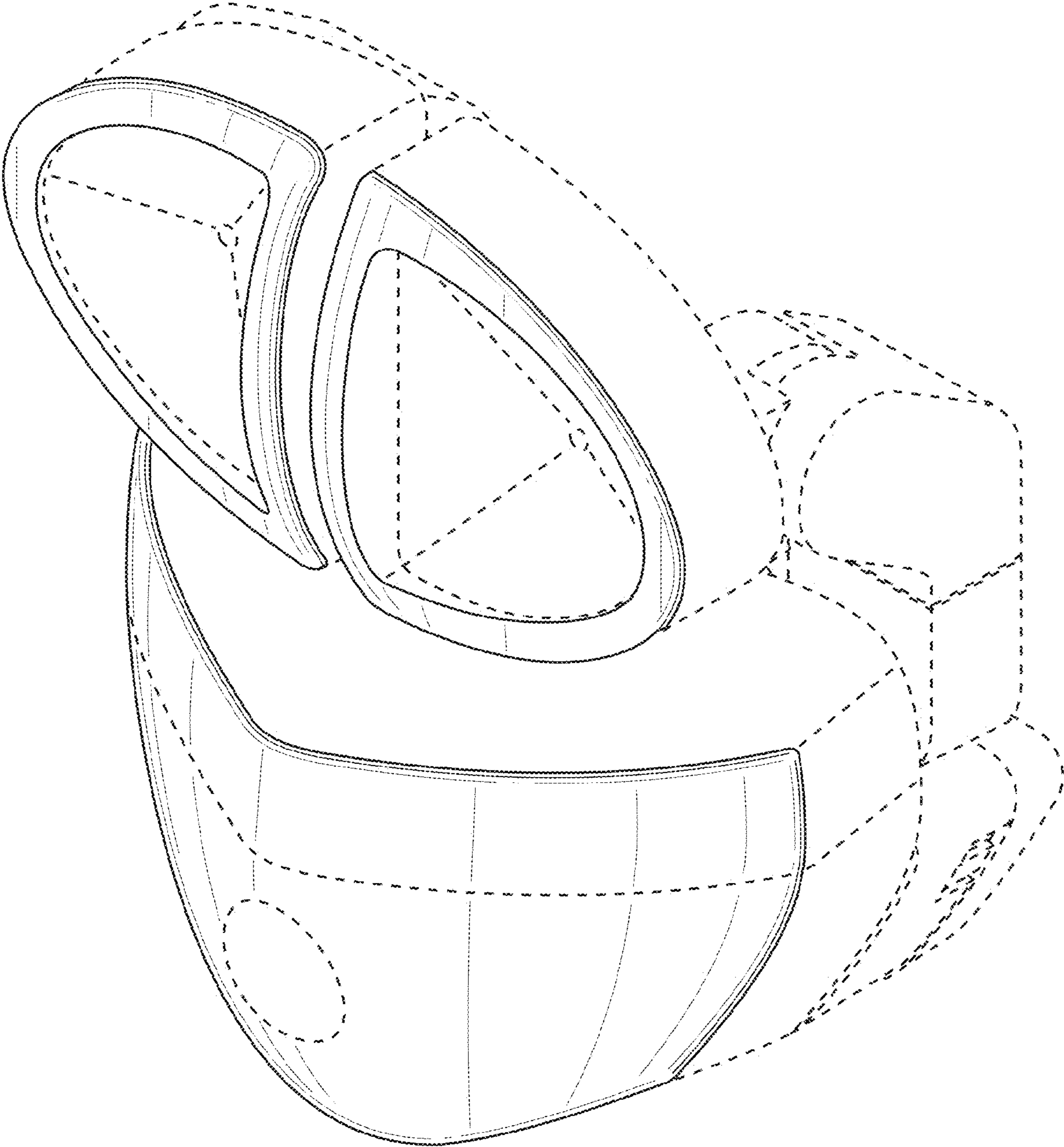


FIG. 1

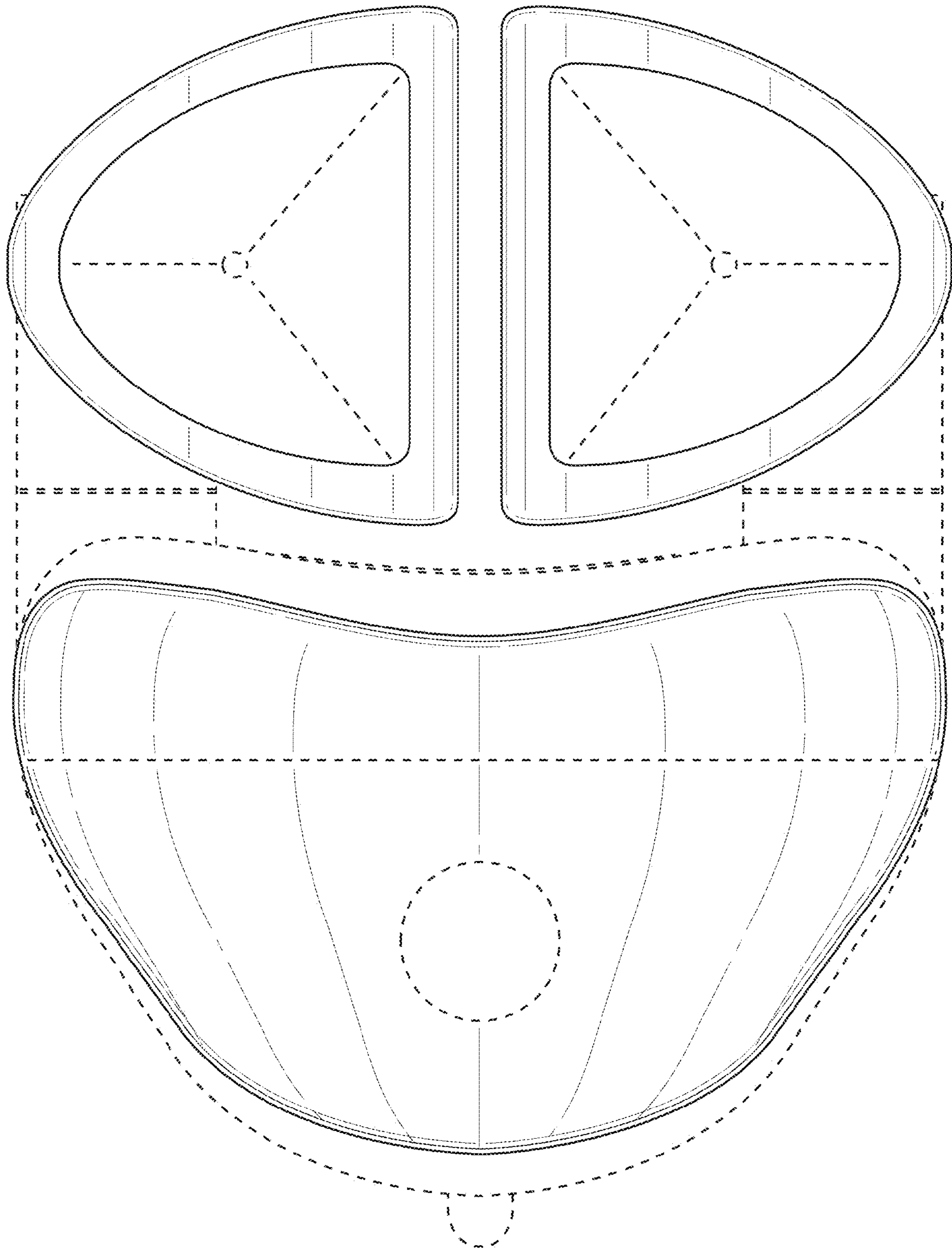


FIG. 2

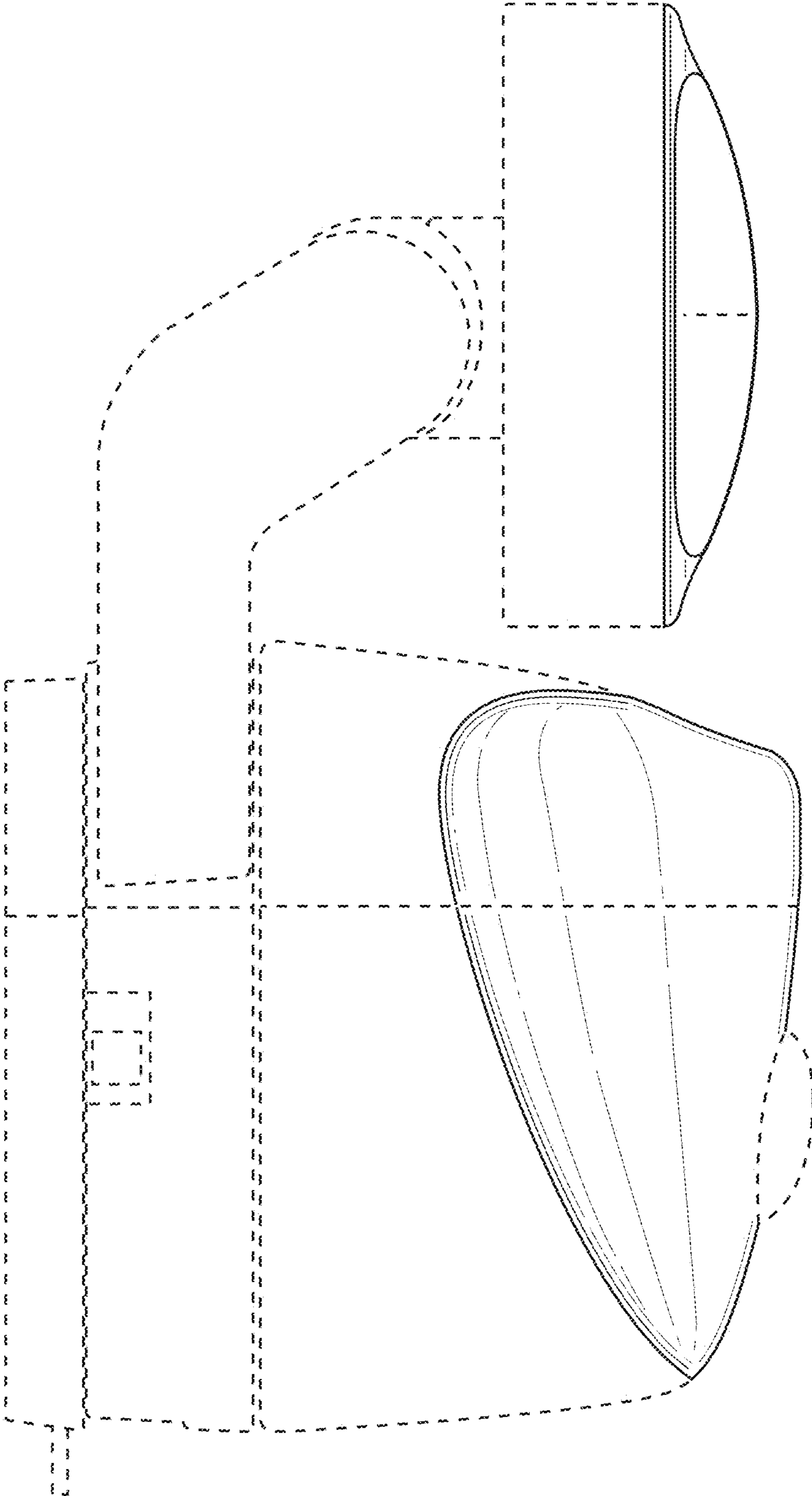


FIG. 3

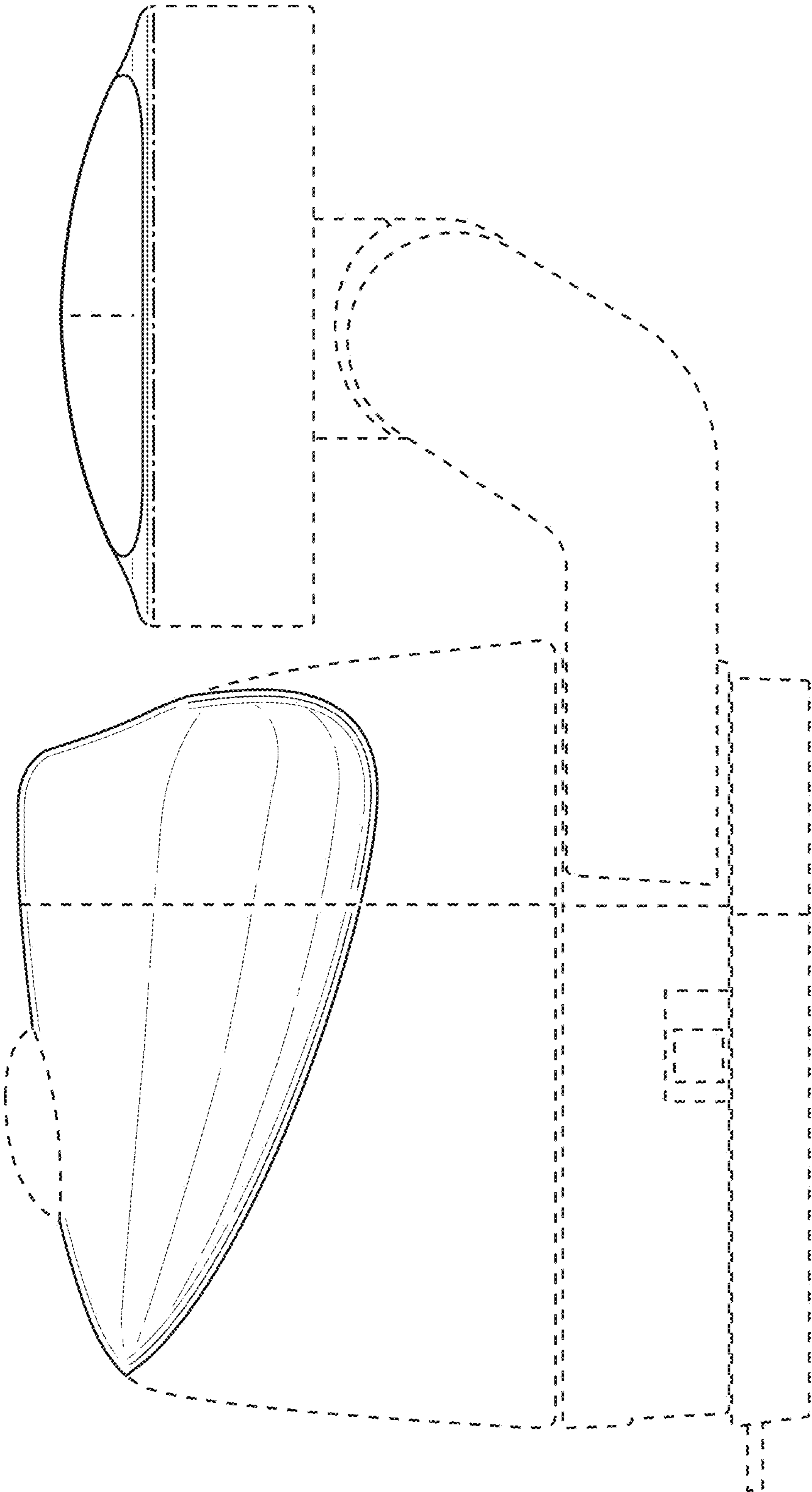


FIG. 4

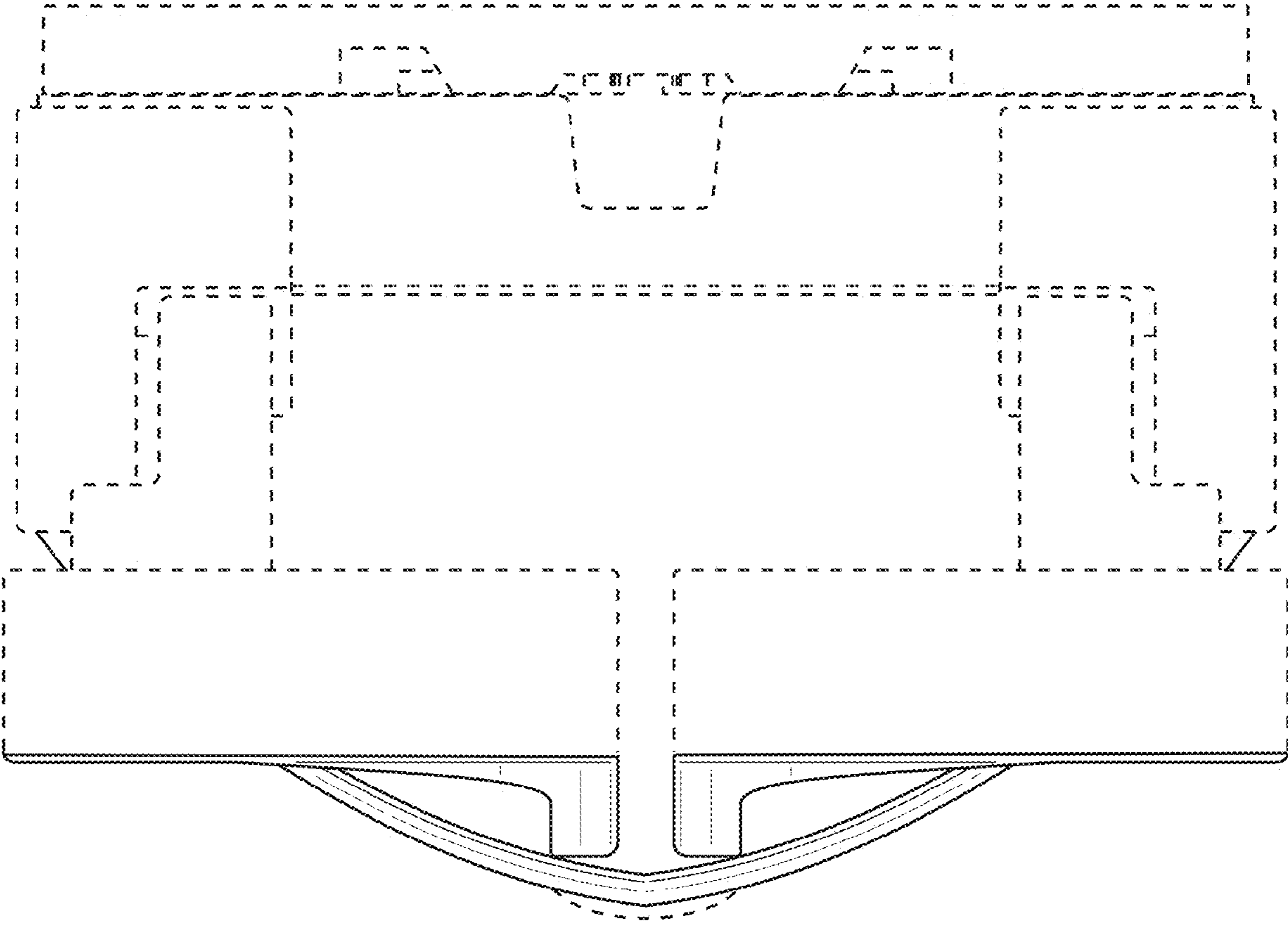


FIG. 5

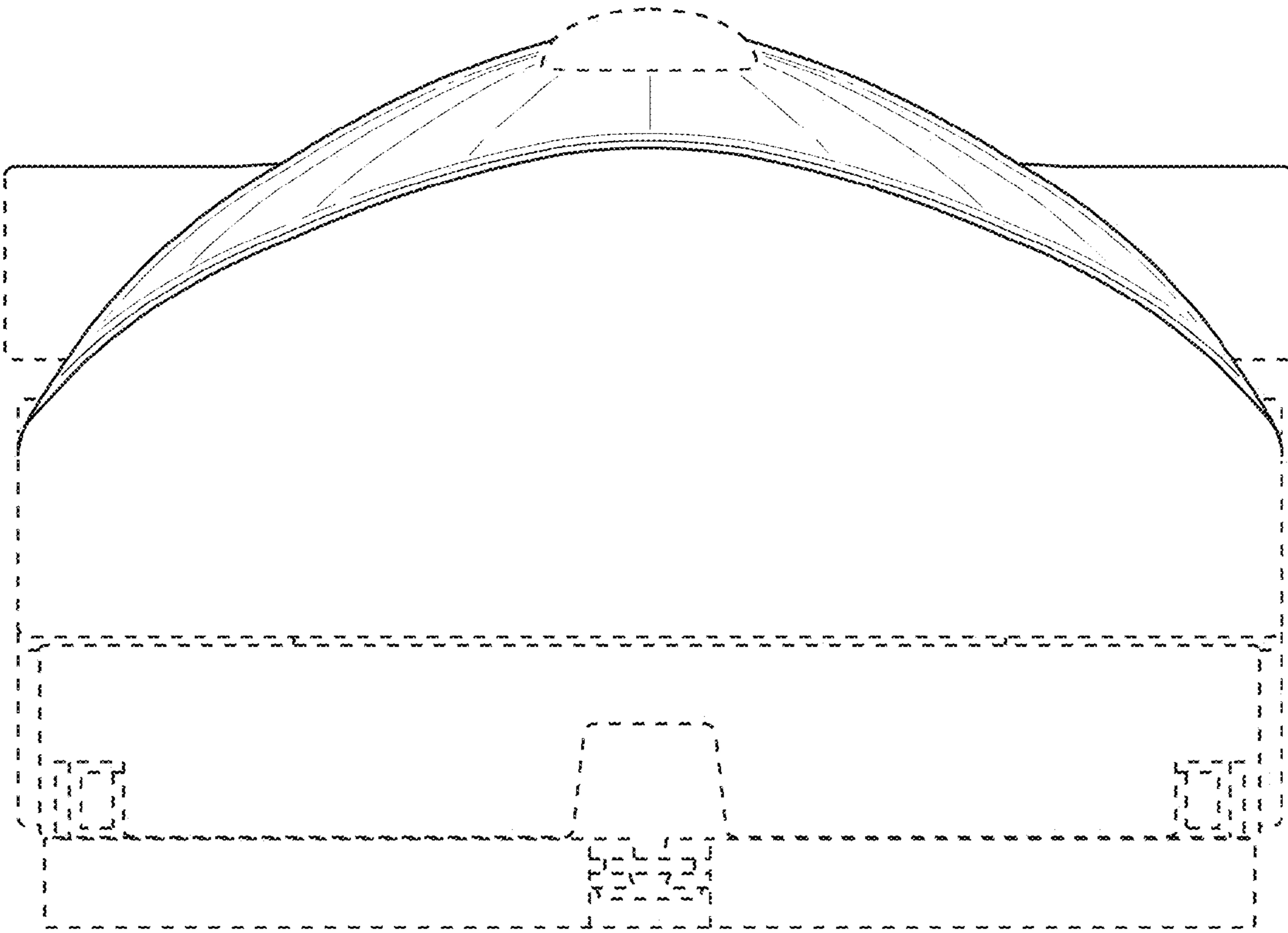


FIG. 6