



US00D908271S

(12) **United States Design Patent**
Hawthorne et al.

(10) **Patent No.:** **US D908,271 S**
(45) **Date of Patent:** **** Jan. 19, 2021**

(54) **LIGHTING FIXTURE**

(71) Applicant: **Hubbell Incorporated**, Shelton, CT (US)

(72) Inventors: **Sean M. Hawthorne**, Boston, MA (US); **Timothy S. Farrell**, Swansea, MA (US); **Michael F. Conroy**, Attleboro, MA (US); **Rachel L. Sidiropoulos**, Middleboro, MA (US)

(73) Assignee: **Hubbell Incorporated**, Shelton, CT (US)

(**) Term: **15 Years**

(21) Appl. No.: **29/646,017**

(22) Filed: **May 1, 2018**

(51) **LOC (13) Cl.** **26-05**

(52) **U.S. Cl.**
USPC **D26/120; D26/74; D26/24**

(58) **Field of Classification Search**
USPC D26/24, 72, 74, 81, 83, 113, 118, 119, D26/120-122, 125

CPC F21V 21/00; F21V 21/02; F21V 21/04; F21V 21/041; F21V 1/00; F21V 1/02; F21V 1/04; F21V 1/14; F21V 5/04; F21V 5/004; F21V 5/045; F21V 7/041; F21V 7/005; F21Y 2101/02

See application file for complete search history.

(56) **References Cited**

U.S. PATENT DOCUMENTS

D320,283 S * 9/1991 Burkarth D26/121
D496,121 S 9/2004 Santoro
D556,358 S 11/2007 Santoro
D572,858 S 7/2008 Santoro

(Continued)

Primary Examiner — Wan Laymon
Assistant Examiner — Clint A Samuel

(74) *Attorney, Agent, or Firm* — Michael Best & Friedrich, LLP

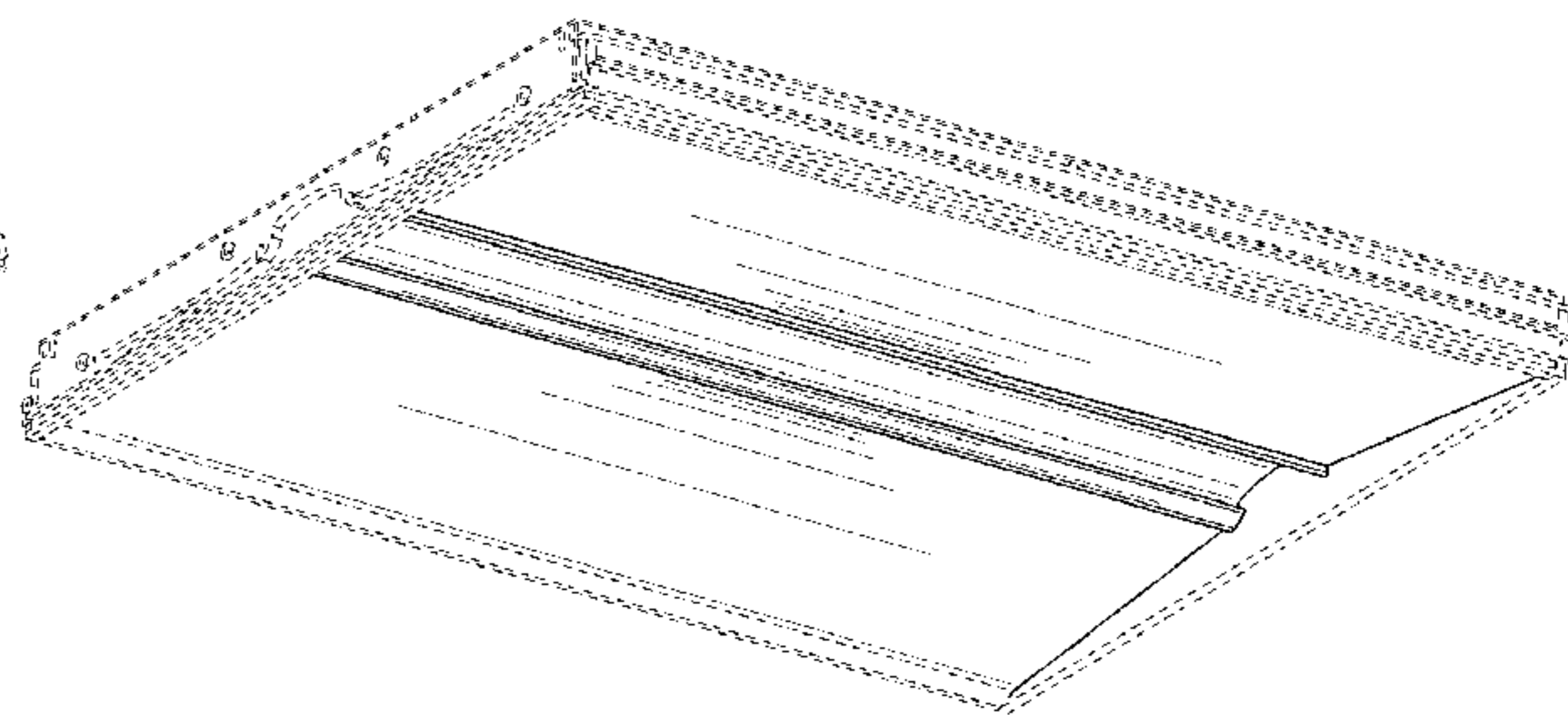
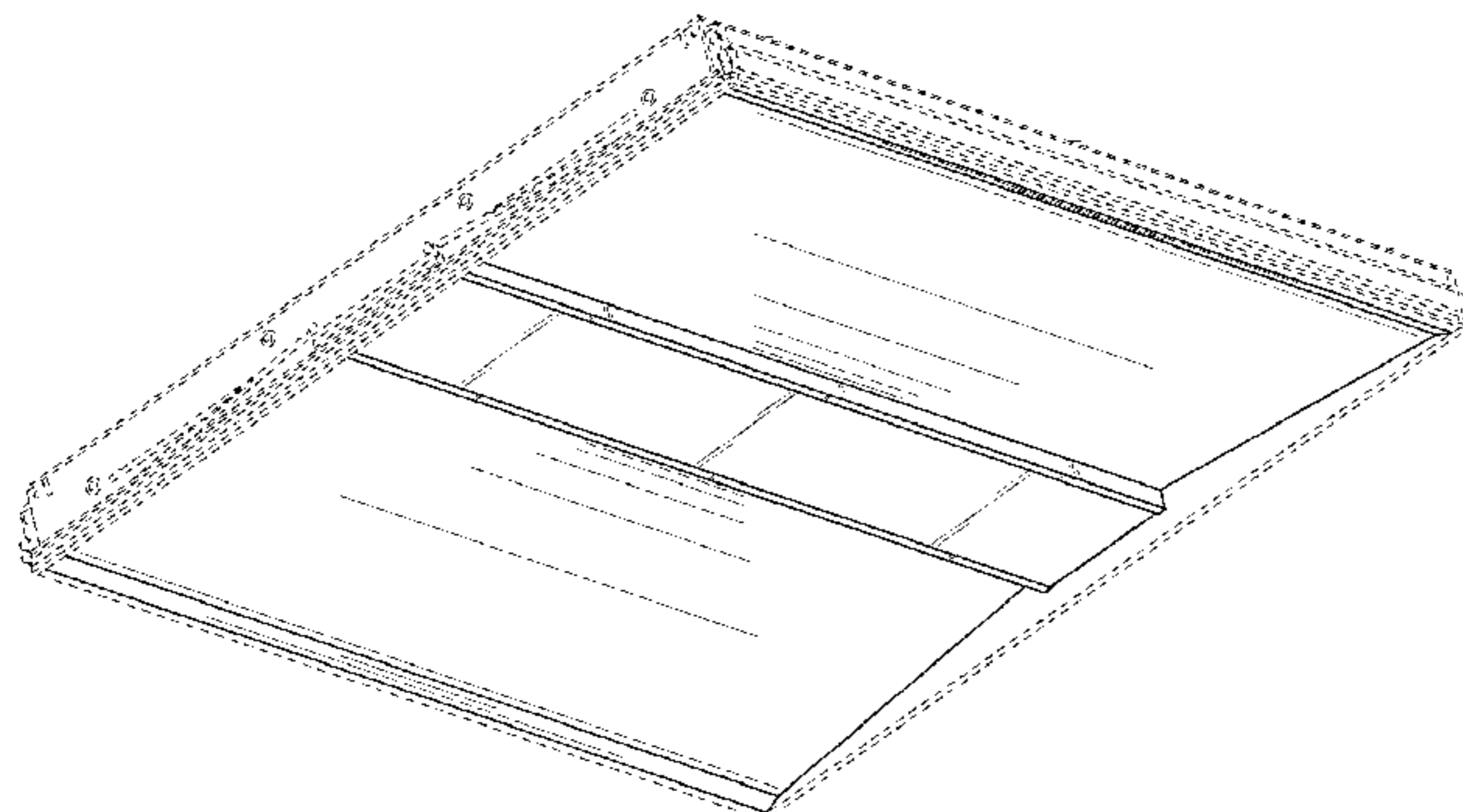
(57) **CLAIM**

The ornamental design for a lighting fixture, as shown and described.

DESCRIPTION

FIG. 1 is a perspective view of a lighting fixture according to an example embodiment of the design;
FIG. 2 is a top view of a lighting fixture according to an example embodiment of the design;
FIG. 3 is a bottom view of a lighting fixture according to an example embodiment of the design;
FIG. 4 is a front view of a lighting fixture according to an example embodiment of the design;
FIG. 5 is a back view of a lighting fixture according to an example embodiment of the design;
FIG. 6 is a side view of a lighting fixture according to an example embodiment of the design;
FIG. 7 is another side view of a lighting fixture according to an example embodiment of the design;
FIG. 8 is a perspective view of a lighting fixture according to an example embodiment of the design;
FIG. 9 is a top view of a lighting fixture according to an example embodiment of the design;
FIG. 10 is a bottom view of a lighting fixture according to an example embodiment of the design;
FIG. 11 is a front view of a lighting fixture according to an example embodiment of the design;
FIG. 12 is a back view of a lighting fixture according to an example embodiment of the design;
FIG. 13 is a side view of a lighting fixture according to an example embodiment of the design; and,
FIG. 14 is another side view of a lighting fixture according to an example embodiment of the design.
The broken lines with the various embodiments of the claimed design and the spaces therein are included for illustrating environmental aspects only and form no part of the claimed design.

1 Claim, 14 Drawing Sheets



(56)

References Cited

U.S. PATENT DOCUMENTS

D579,598 S 10/2008 Santoro
 D595,006 S 6/2009 Santoro
 D597,241 S * 7/2009 Fabbri D26/74
 D608,931 S * 1/2010 Castelli D26/76
 D614,792 S * 4/2010 Fabbri D26/120
 D665,119 S * 8/2012 Bryant D26/122
 D675,364 S * 1/2013 Watt D26/74
 D678,597 S * 3/2013 Lehman D26/120
 D701,988 S 4/2014 Clements
 D726,362 S * 4/2015 Kim D13/180
 D730,556 S * 5/2015 Toyohisa D26/74
 D733,960 S * 7/2015 Howe D26/122
 D734,534 S * 7/2015 Howe D26/122
 D735,401 S 7/2015 Clements
 9,110,216 B2 8/2015 Blessitt et al.
 D739,977 S * 9/2015 Boyer D26/74
 D750,831 S 3/2016 Clements
 9,335,041 B2 * 5/2016 Marquardt F21V 33/006
 D767,193 S * 9/2016 Jung D26/74
 D769,515 S * 10/2016 Clark D26/120
 D770,083 S * 10/2016 Clark D26/120
 D786,471 S * 5/2017 Snell D26/74

D788,356 S 5/2017 Clements
 9,666,744 B2 5/2017 Clements
 D807,557 S * 1/2018 Stromborg D26/74
 D810,998 S * 2/2018 DiFelice D26/118
 D812,806 S * 3/2018 Luo D26/120
 D819,861 S * 6/2018 Scribante D26/76
 10,012,354 B2 * 7/2018 Bernard F21V 7/005
 D830,604 S * 10/2018 Watt D26/76
 D833,663 S * 11/2018 Stromborg D26/74
 10,274,173 B2 * 4/2019 Schubert G02B 6/0081
 10,400,992 B2 * 9/2019 Kim F21V 13/02
 D862,787 S * 10/2019 Rashidi Doust D26/120
 D884,257 S * 5/2020 DiFelice D26/118
 10,721,808 B2 * 7/2020 Bowser H05B 45/00
 2013/0294053 A1 * 11/2013 Marquardt F21V 33/006
 362/145
 2014/0126195 A1 * 5/2014 Dixon F21S 8/026
 362/218
 2015/0252982 A1 * 9/2015 Demuyneck F21S 9/022
 362/184
 2015/0378081 A1 12/2015 Blessitt et al.
 2016/0377261 A1 * 12/2016 Bernard F21V 23/006
 362/235
 2017/0263803 A1 9/2017 Clements

* cited by examiner

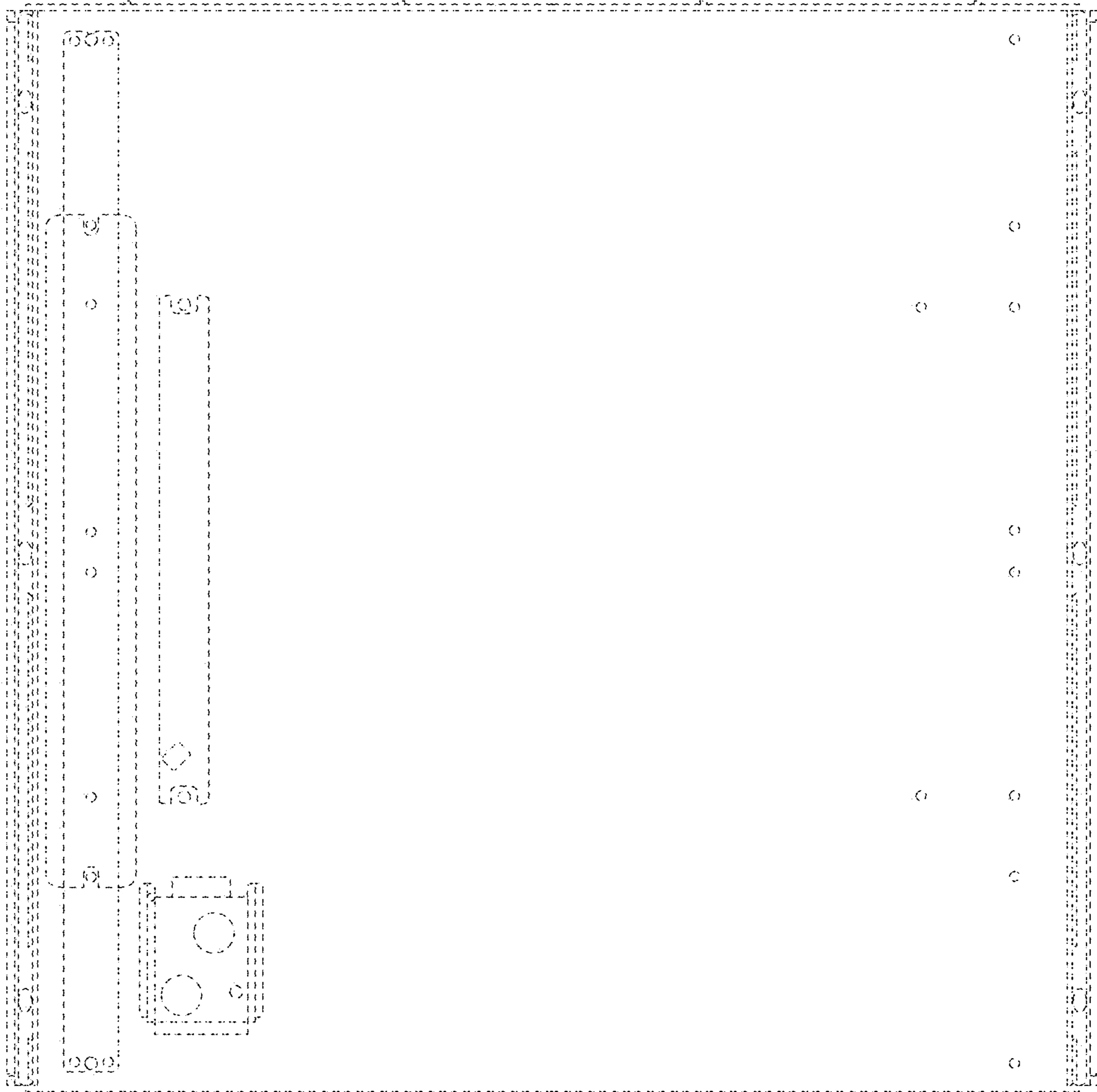


FIG. 2

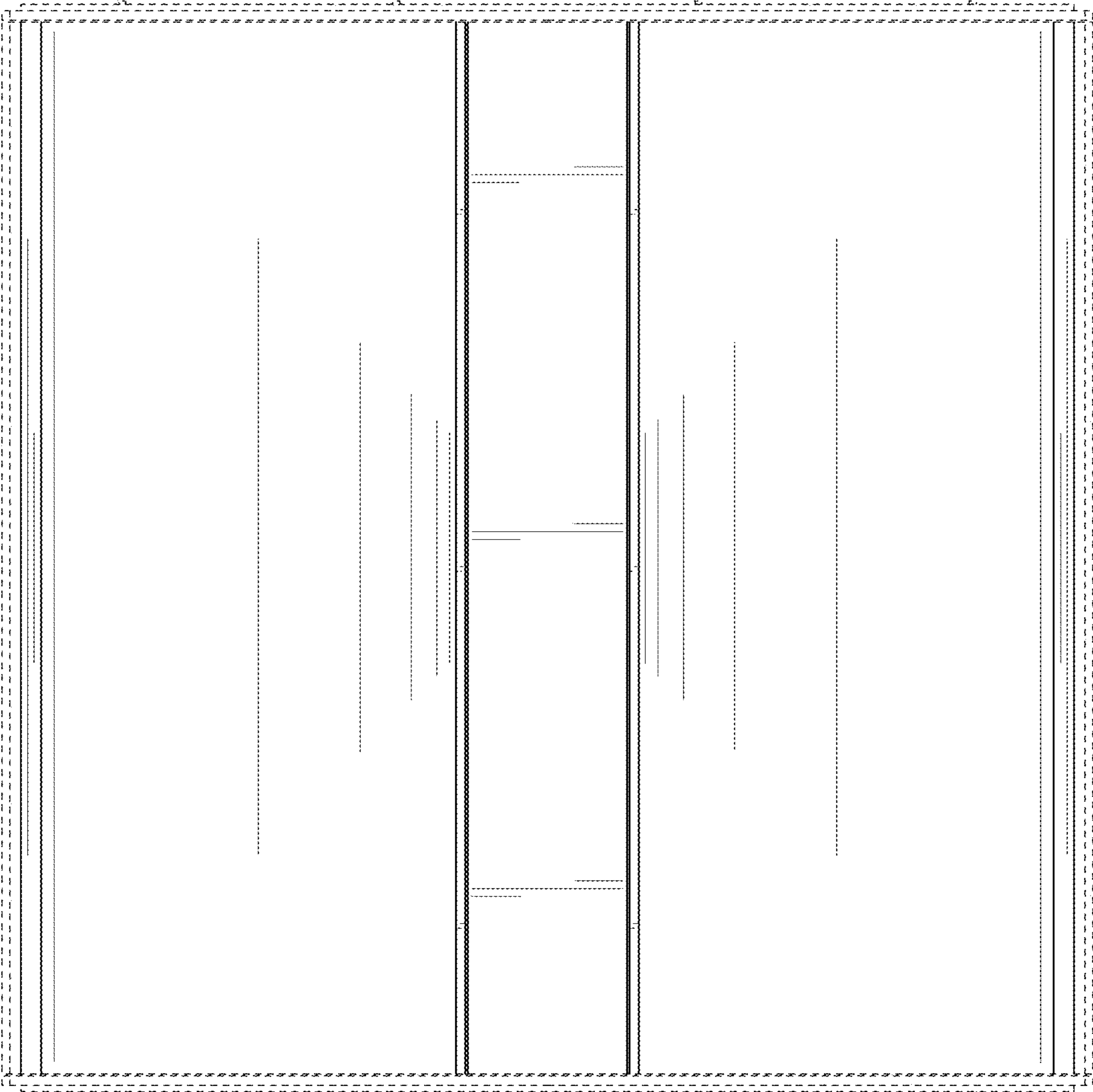


FIG. 3

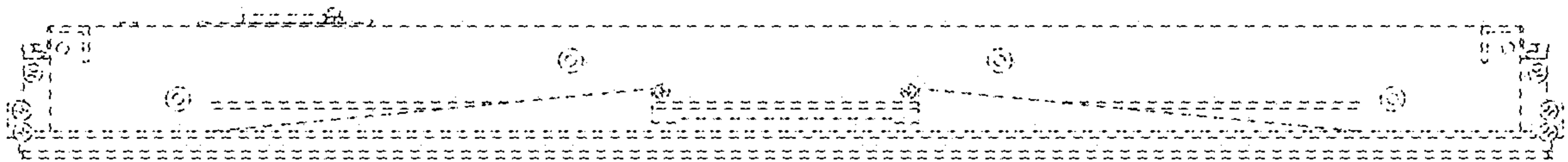


FIG. 4

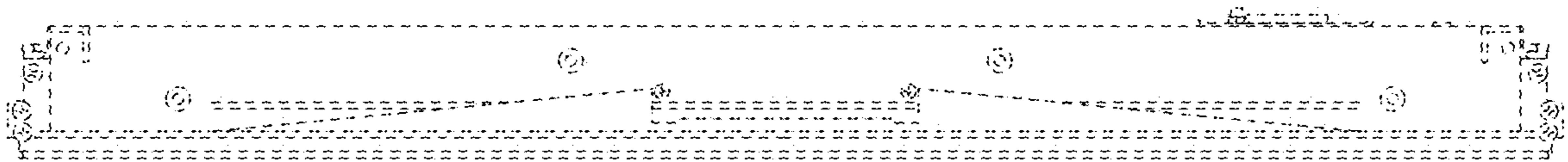


FIG. 5

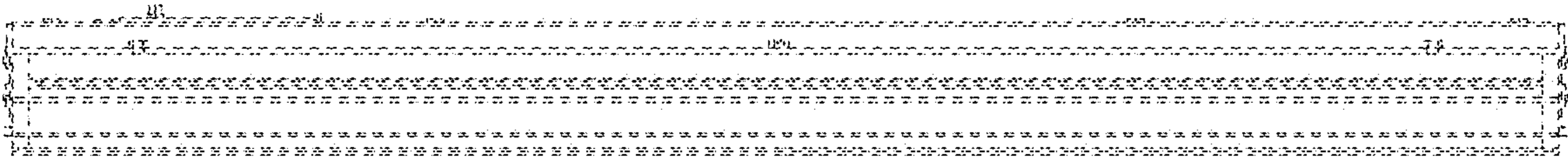


FIG. 6

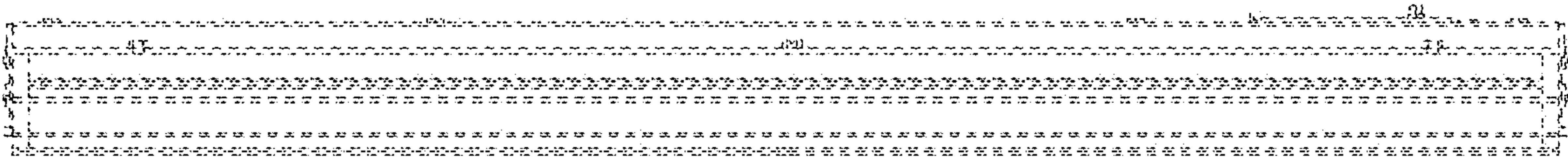


FIG. 7

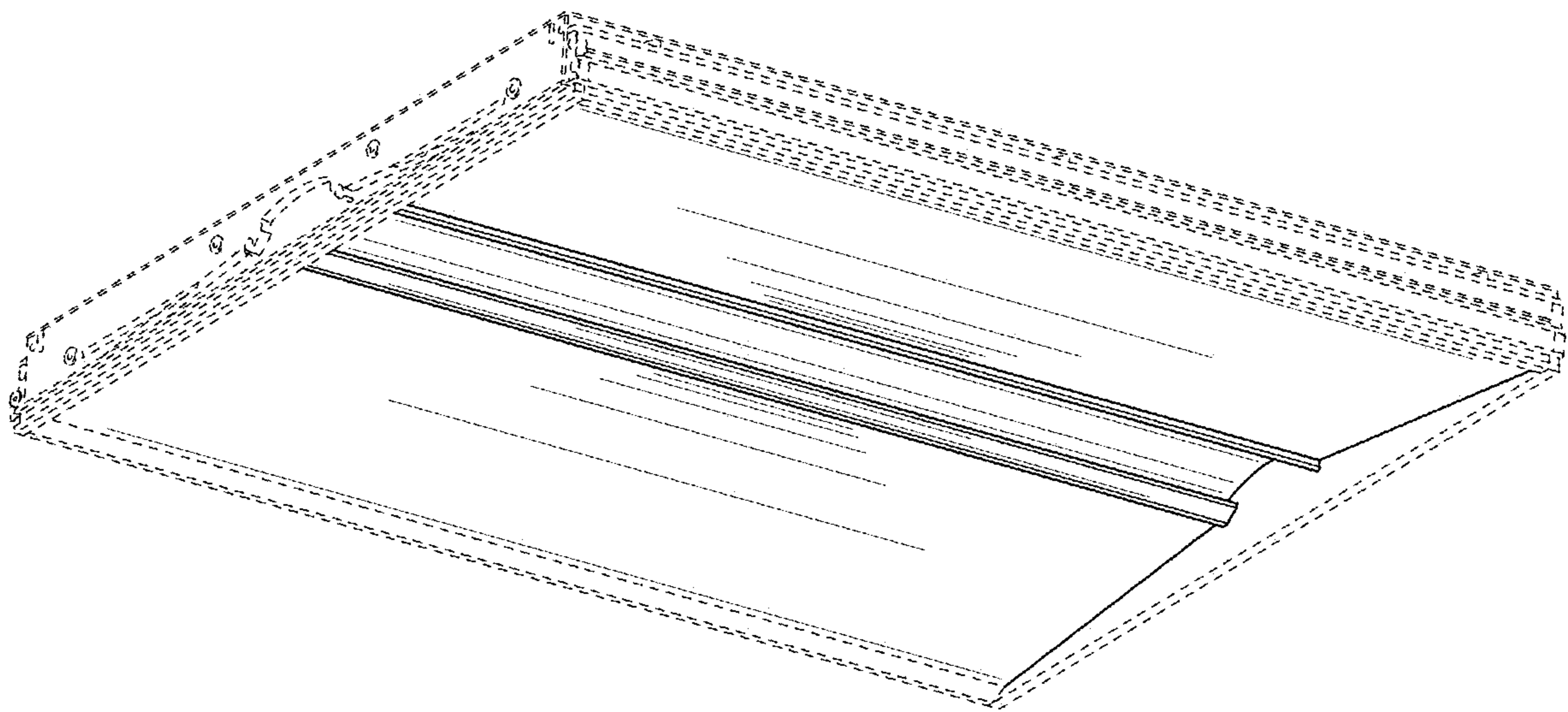


FIG. 8

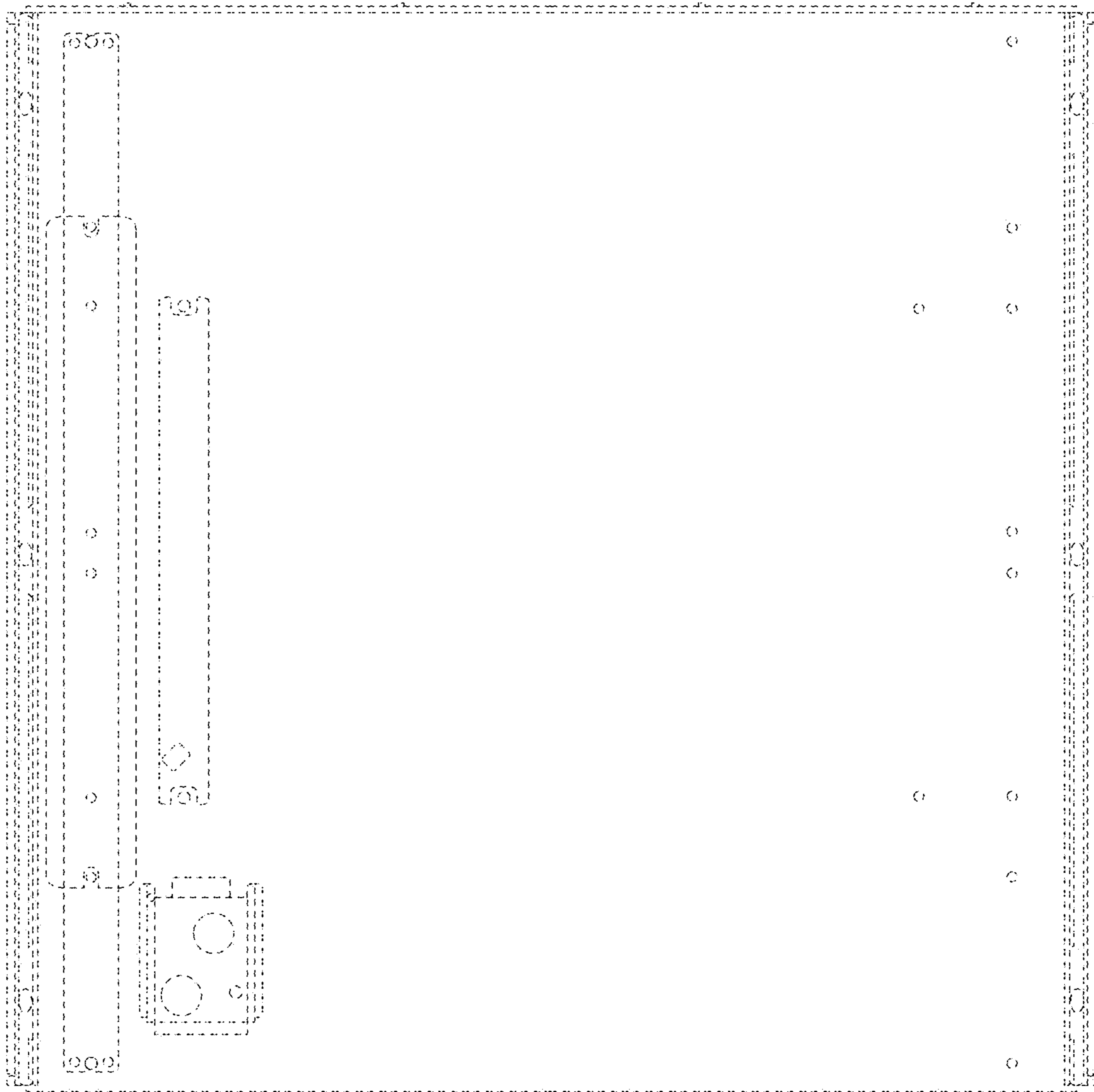


FIG. 9

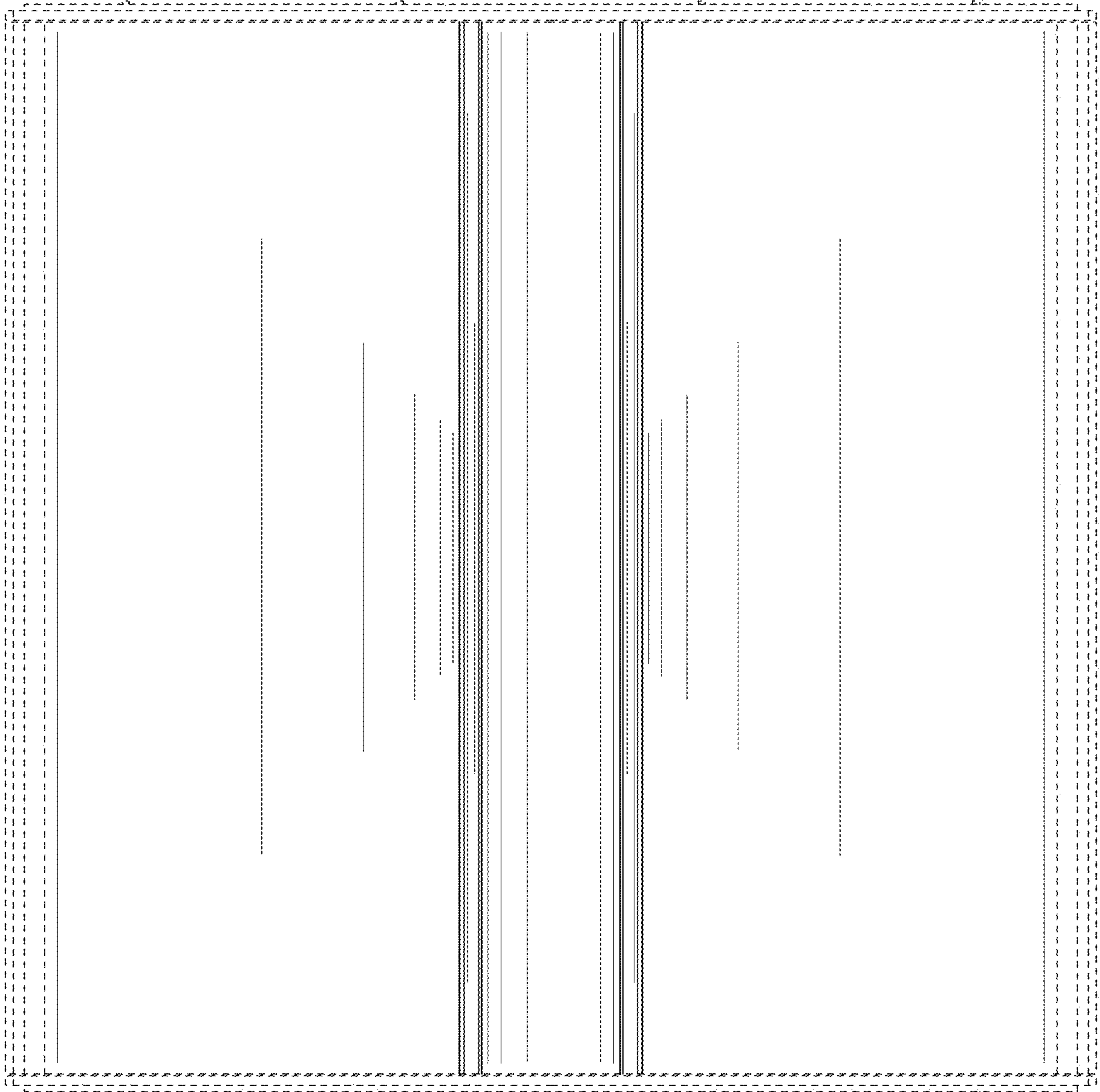


FIG. 10

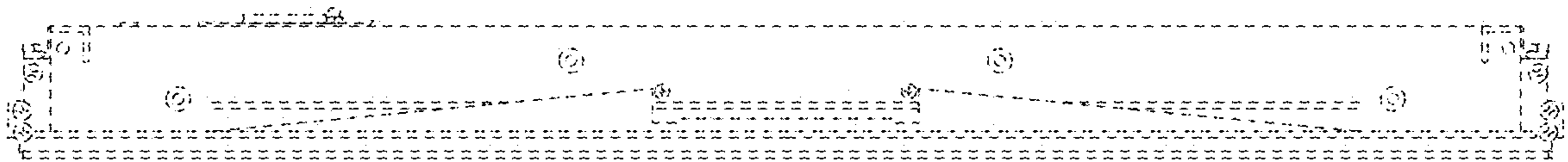


FIG. 11

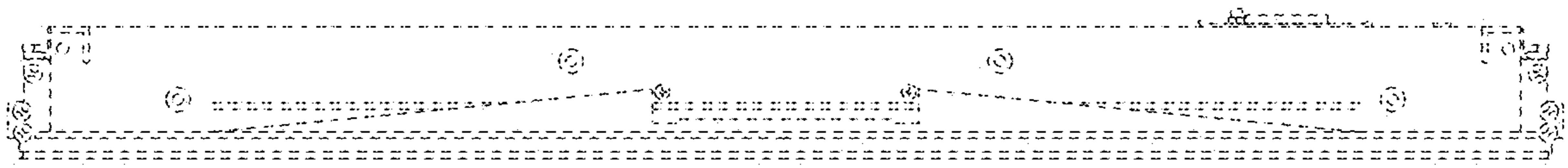


FIG. 12

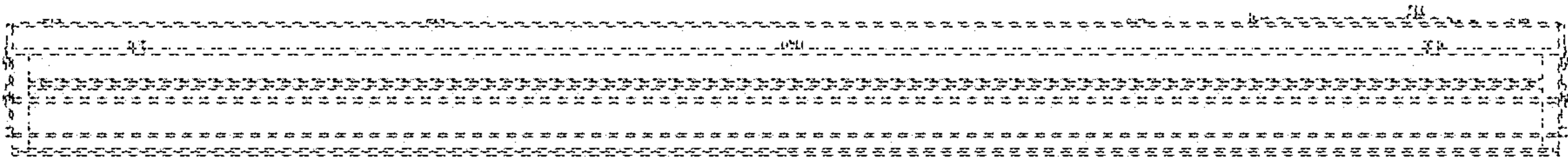


FIG. 13

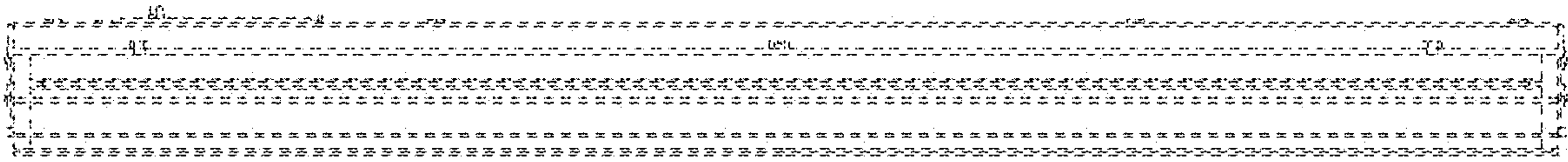


FIG. 14