



US00D908270S

(12) **United States Design Patent**
Moses et al.

(10) **Patent No.: US D908,270 S**

(45) **Date of Patent: ** *Jan. 19, 2021**

(54) **SEGMENTED LIGHT FIXTURE COUPLING**

(71) Applicant: **USAI, LLC**, New Windsor, NY (US)

(72) Inventors: **Eran Moses**, New Windsor, NY (US);
John P. Harkins-Fleischmann,
Bloomington, NJ (US); **Yorgo**
Lykouria, London (GB); **Thomas**
Adam Kaczowski, University City,
MO (US)

(73) Assignee: **USAI, LLC**, New Windsor, NY (US)

(*) Notice: This patent is subject to a terminal disclaimer.

(**) Term: **15 Years**

(21) Appl. No.: **29/711,515**

(22) Filed: **Oct. 31, 2019**

(51) **LOC (13) Cl.** **26-99**

(52) **U.S. Cl.**
USPC **D26/113**

(58) **Field of Classification Search**
USPC D26/72, 73, 81, 84, 88, 90, 118,
D26/127-137; D23/209, 260, 262, 263;
D8/382
CPC F21S 8/03; F21S 8/033; F21S 8/036; F21S
8/04; F21S 8/043; F21S 8/046; F21S
8/06; F21S 8/061; F21S 8/063; F21S
8/065; F21V 1/04; F21V 1/06; F21V
3/02; F21V 3/023; F21V 5/06
See application file for complete search history.

(56) **References Cited**

U.S. PATENT DOCUMENTS

D308,410 S	*	6/1990	Russell	D23/209
D354,801 S	*	1/1995	Grant	D23/263
D374,812 S	*	10/1996	Hirano	D8/382
D477,527 S	*	7/2003	Bradford	D8/382

(Continued)

OTHER PUBLICATIONS

Bonou, Chandelier Ceiling Pendant Light, <https://www.ebay.com.au/itm/163039675072>, retrieved from the Internet on Jul. 31, 2019.

(Continued)

Primary Examiner — Zenia I Bennett

(74) *Attorney, Agent, or Firm* — St. Onge Steward
Johnston & Reens LLC

(57) **CLAIM**

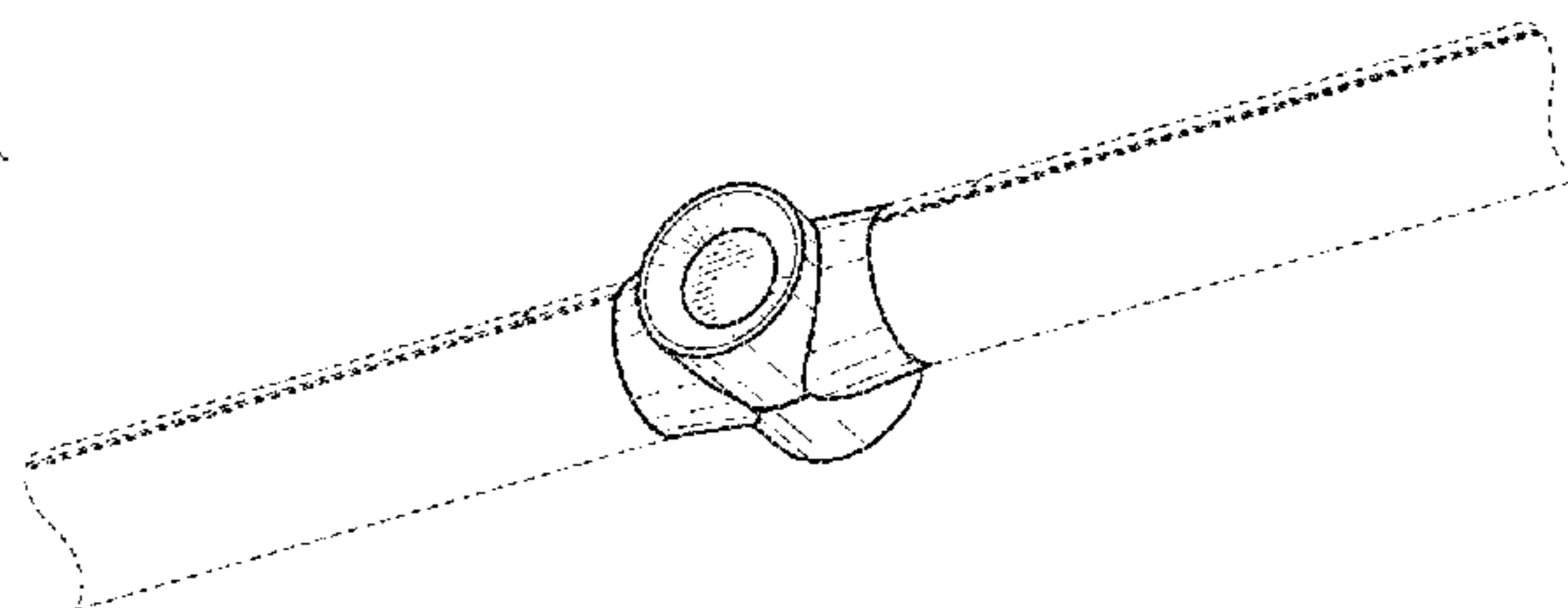
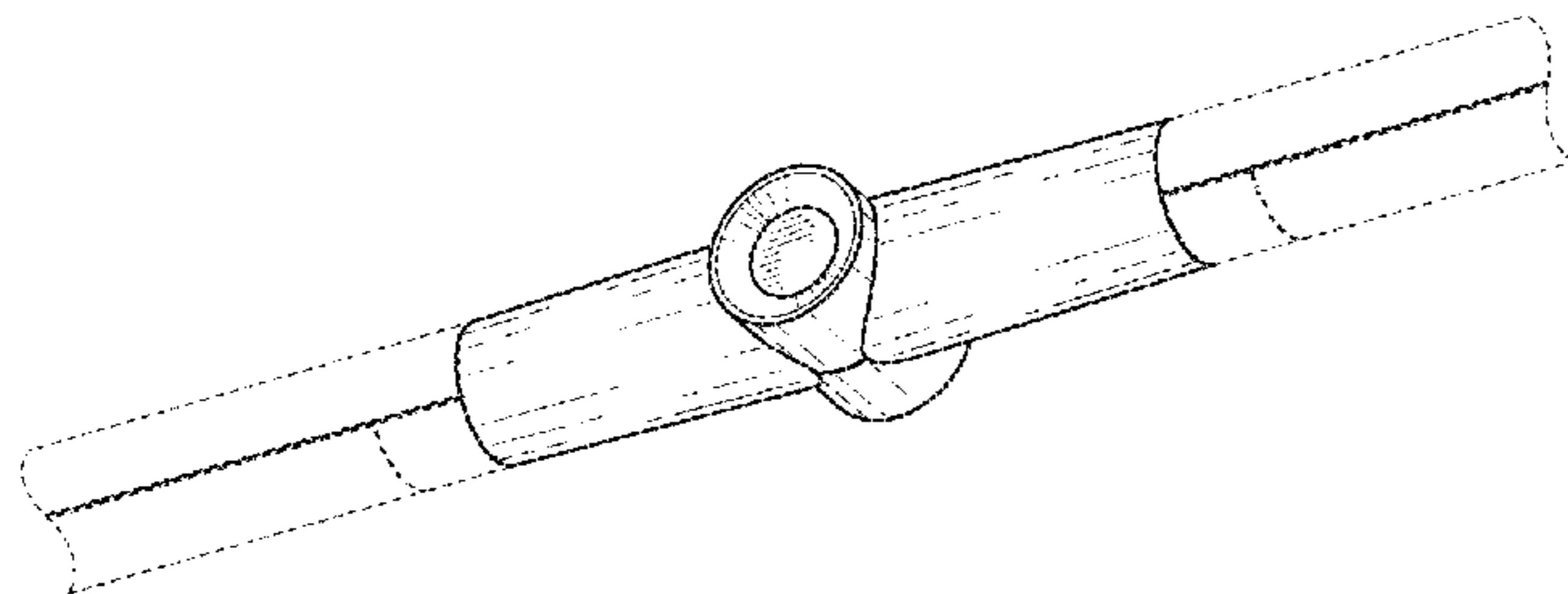
The ornamental design for a segmented light fixture coupling, as shown and described.

DESCRIPTION

FIG. 1 is a perspective view, from the bottom, of a segmented light fixture coupling in accordance with the new design;
FIG. 2 is a perspective view thereof, from the top;
FIG. 3 is a perspective view thereof, from the bottom;
FIG. 4 is a front view thereof, with the rear being a mirror image;
FIG. 5 top view thereof, with the bottom being a mirror image;
FIG. 6 is a left side view thereof, with the right side being a mirror image.
FIG. 7 is a perspective view of a second embodiment from the bottom of a segmented light fixture coupling;
FIG. 8 is a perspective view thereof, from the top;
FIG. 9 is a perspective view thereof, from the bottom;
FIG. 10 is a front view thereof, with the rear being a mirror image;
FIG. 11 is a top view thereof, with the bottom being a mirror image; and,
FIG. 12 is a left side view thereof, with the right side being a mirror image.

The broken lines shown in the drawings are for the purpose of illustrating portions of the segmented light fixture coupling that form no part of the claimed design.

1 Claim, 6 Drawing Sheets



(56)

References Cited

U.S. PATENT DOCUMENTS

D517,176 S	*	3/2006	Wilk, Jr.	D23/262
D620,629 S	*	7/2010	Sabernig	D26/84
D676,942 S	*	2/2013	Kluss	D23/262
D745,118 S	*	12/2015	Kenney	D23/262
D793,000 S	*	7/2017	Sonneman	D26/113
D841,782 S	*	2/2019	Wada	D23/260

OTHER PUBLICATIONS

Benedict Hobson, "OMA draws on the 'fundamentals of geometry' for XY180 lights", Dezeen, <https://www.dezeen.com/2018/04/11/video-interview-ippolito-pestellini-laparelli-oma-xy180-delta-light-movie/>, Apr. 11, 2018.

Juniper, "Thin Task Lamp T with Wall Mount", www.juniper-design.com, <https://www.juniper-design.com/products/thin-task-lamp-wall-mount/>, 2019.

Seed Design, "Laito Gentle", Seed Lighting Design Co., Ltd., www.SeedDesignUSA.com, 2018.

Greenhouse Megastore, "PVC Adjustable 2-Way L", <https://www.greenhousemegastore.com/hardware-diy/pvc-fittings/pvc-adjustable-2-way-l>, retrieved from the internet on Oct. 11, 2019.

Rebrilliant Rhoades, "Slip Stream LED Swing Arm Lamp", www.wayfair.com, <https://www.wayfair.com/lighting/pdp/rebrilliant-rhoades-slip-stream-led-swing-arm-lamp-w001019352.html>, retrieved from internet on Jul. 31, 2019.

Stickbulb, "Multiple Pendant" Lamp, <https://www.architonic.com/en/product/stickbulb-multiple-pendant/1425152>, retrieved from the internet on Jul. 31, 2019.

* cited by examiner

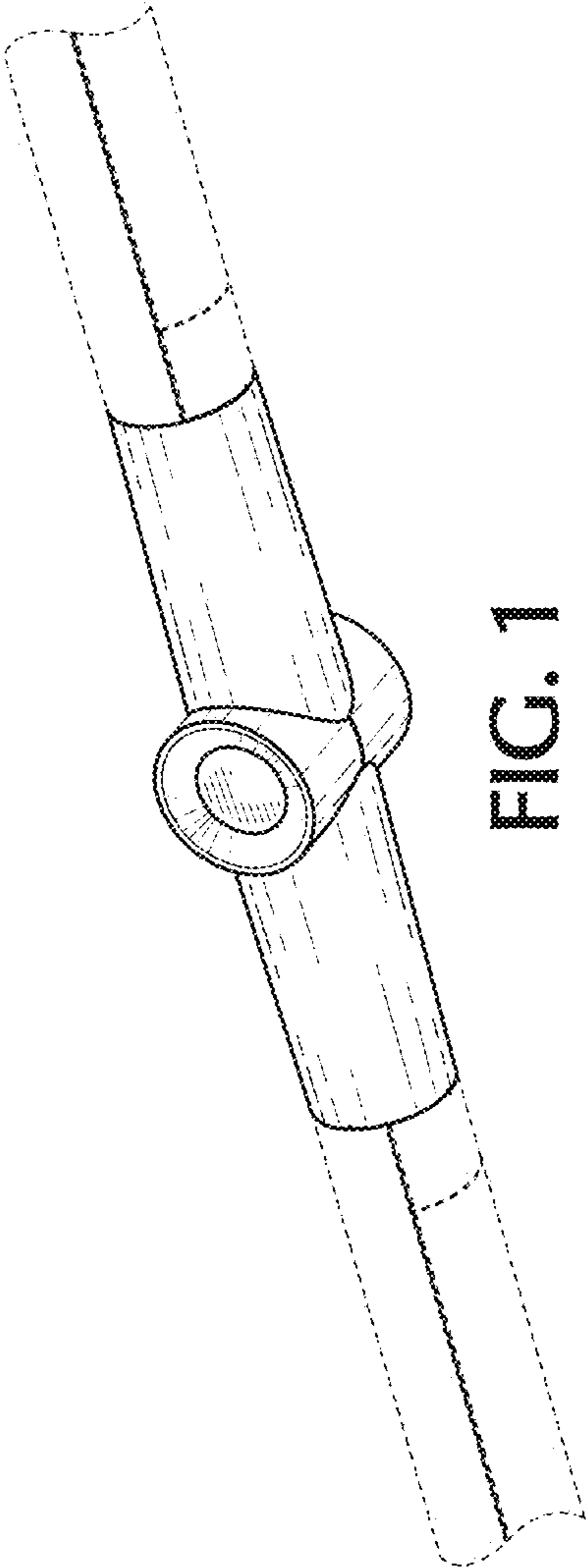


FIG. 1

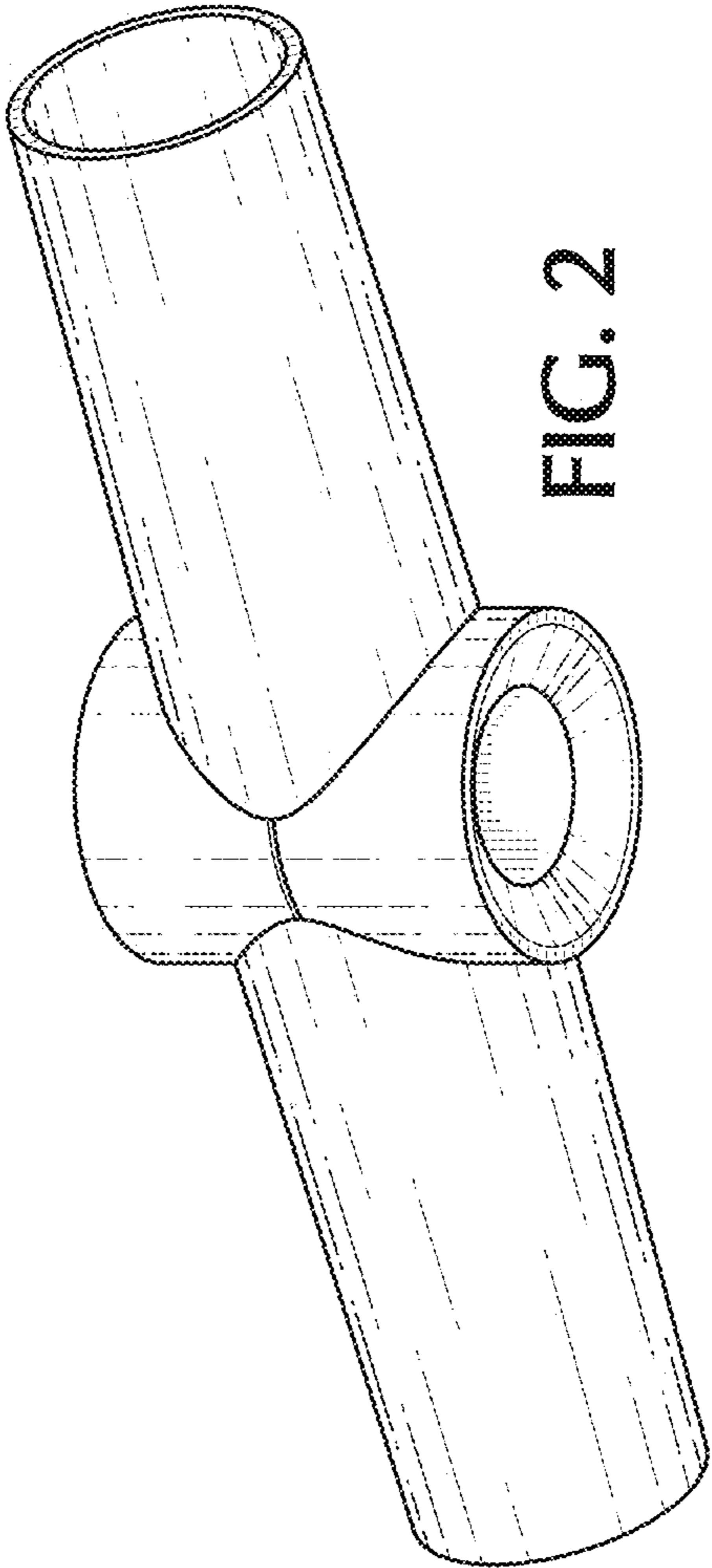


FIG. 2

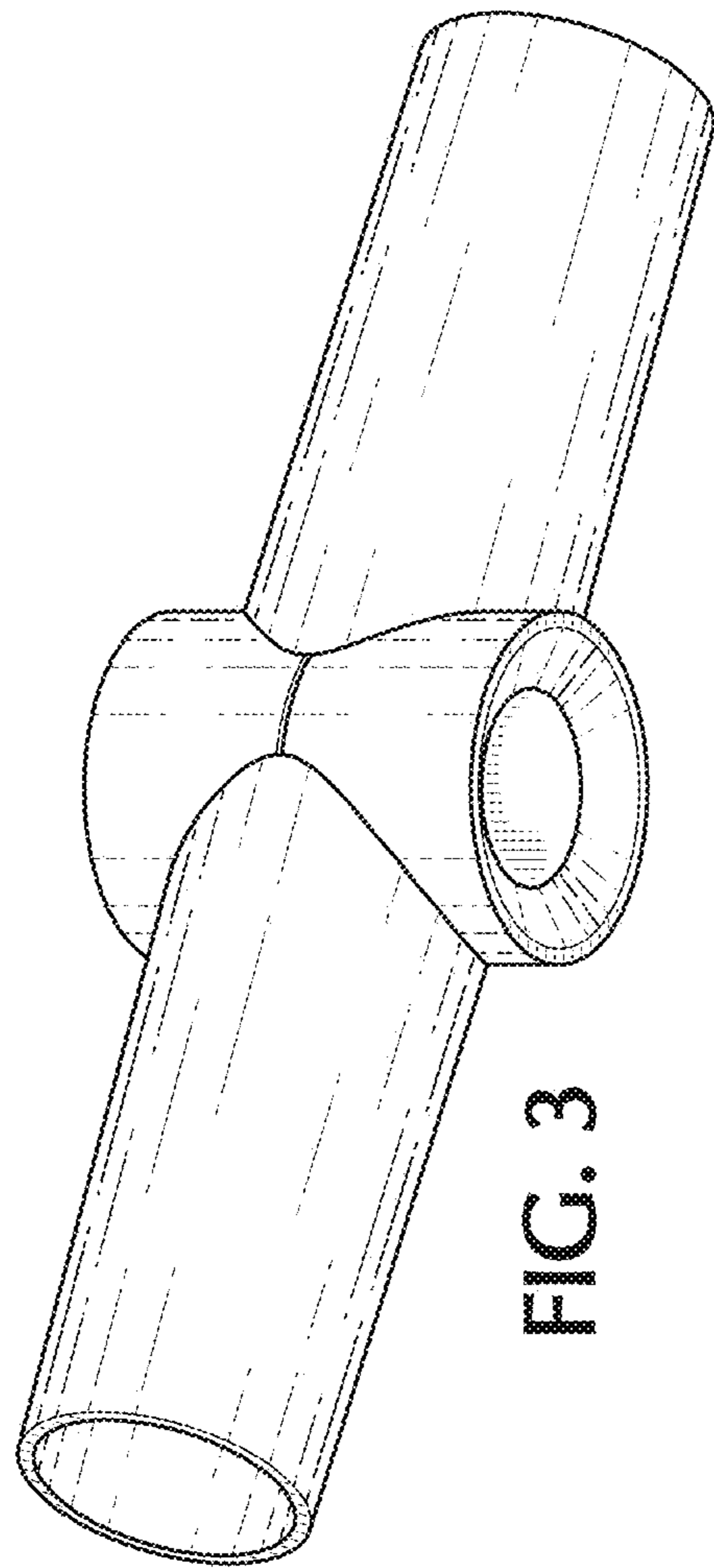


FIG. 3

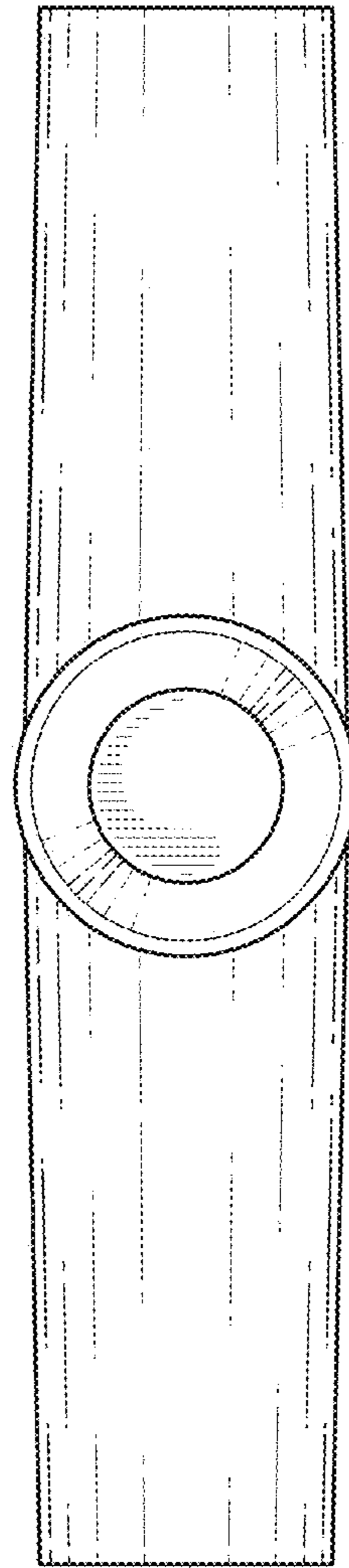


FIG. 4

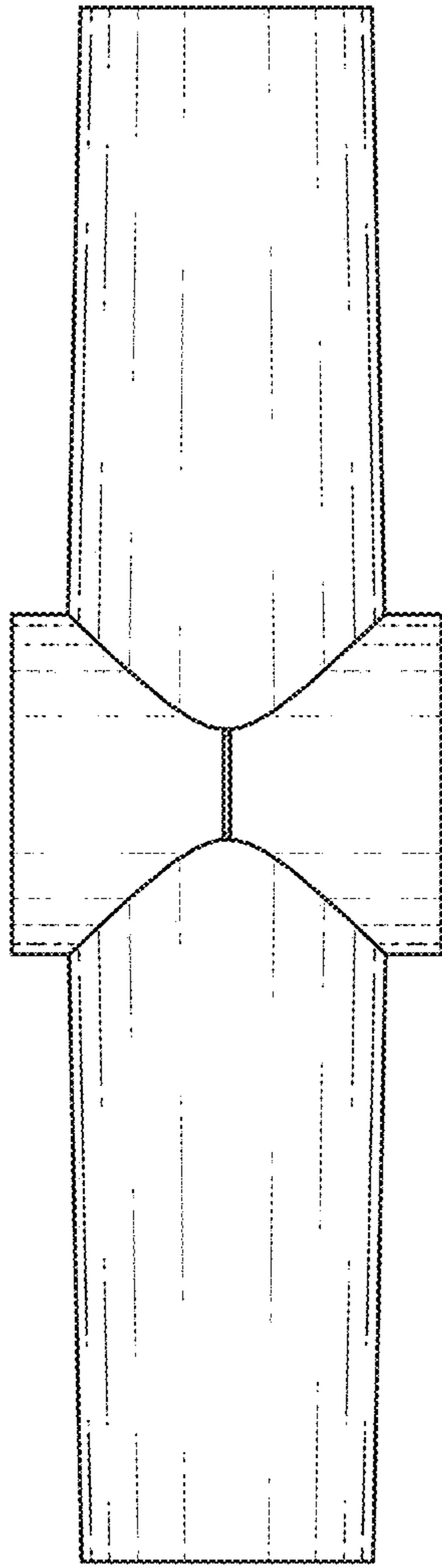


FIG. 5

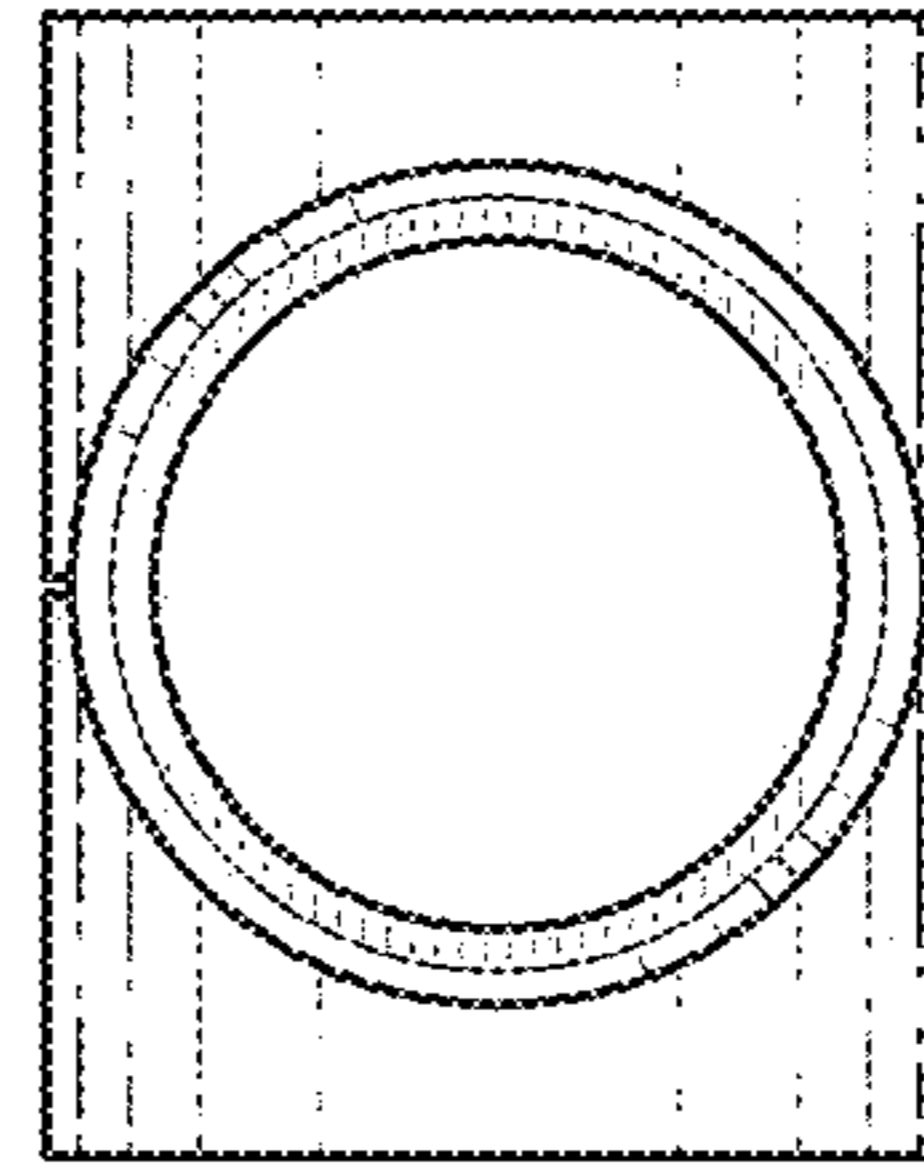


FIG. 6

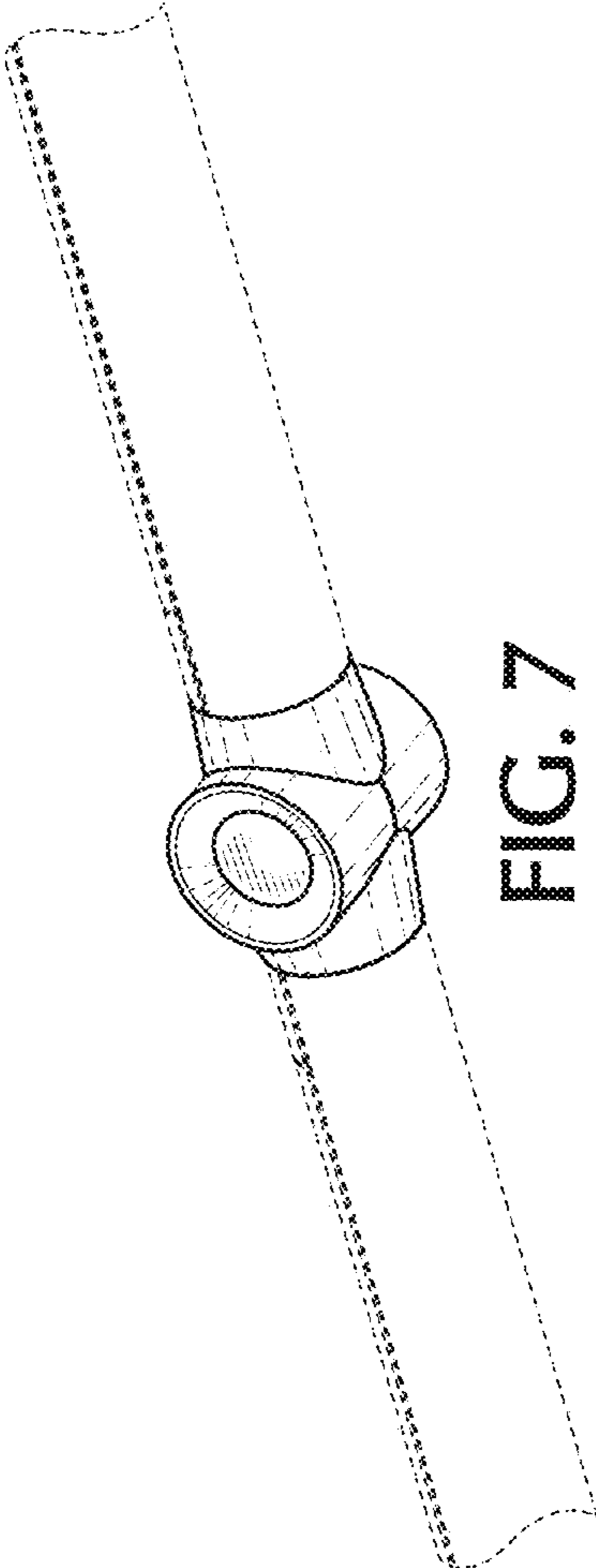


FIG. 7

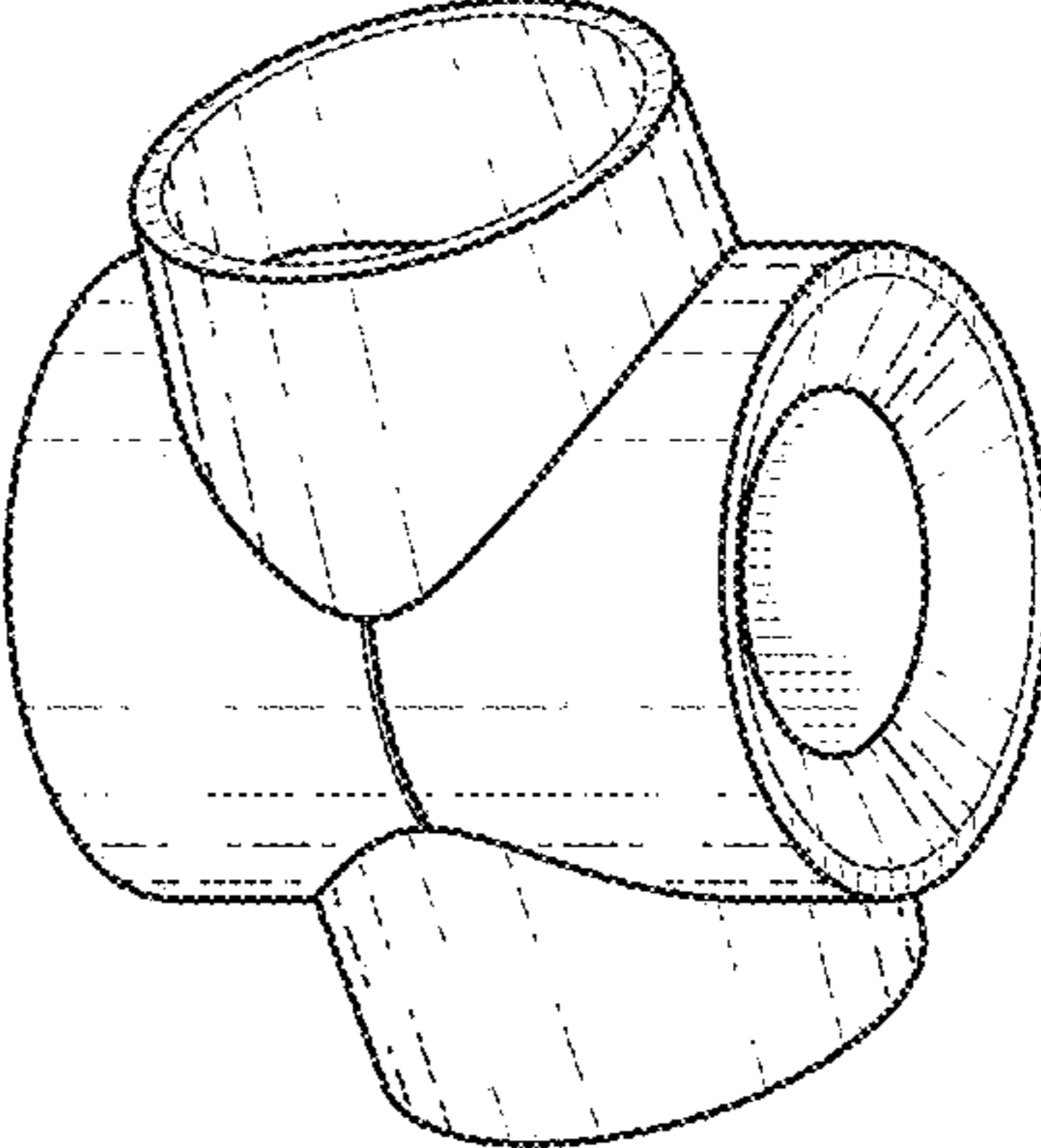


FIG. 8

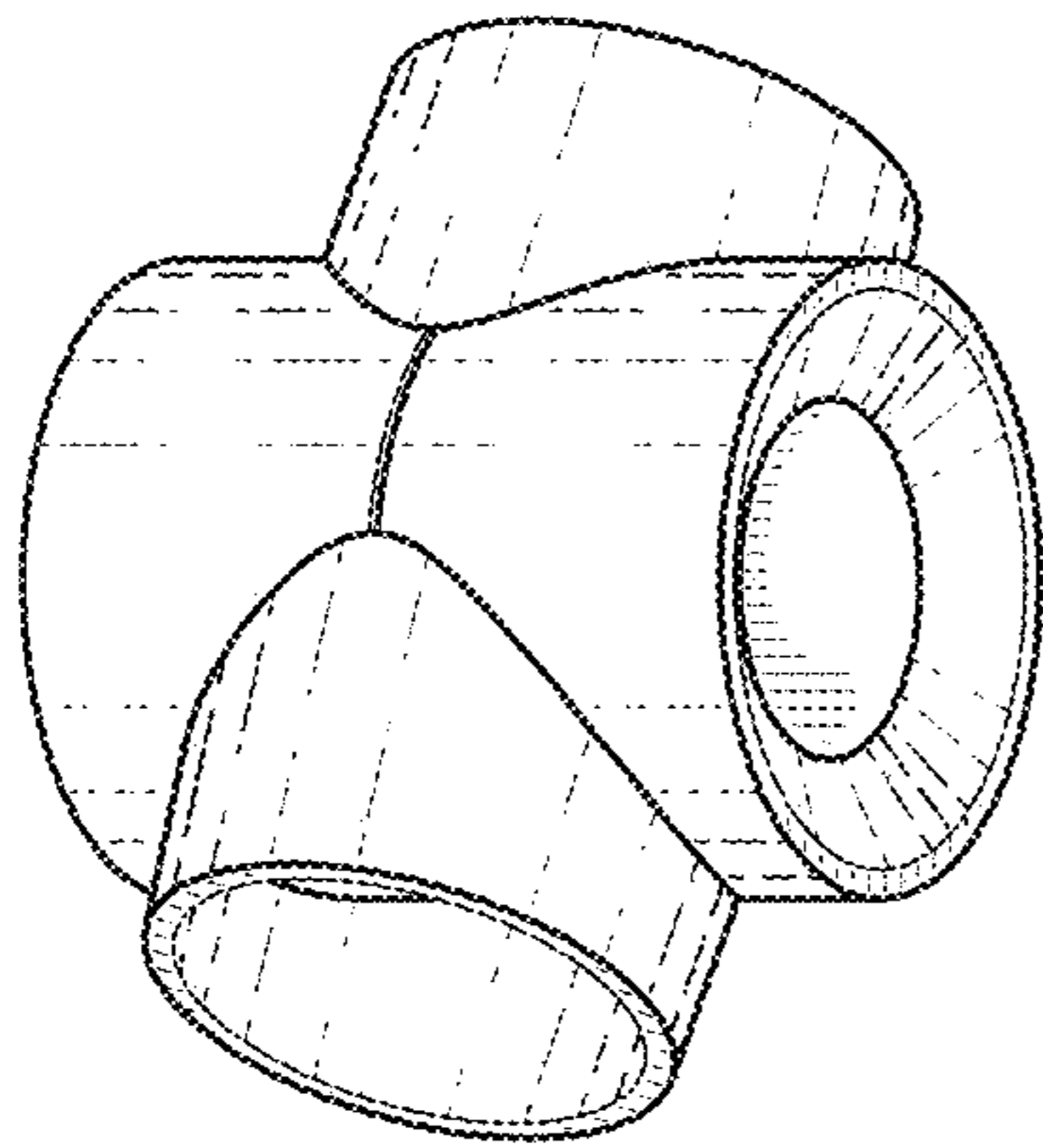


FIG. 9

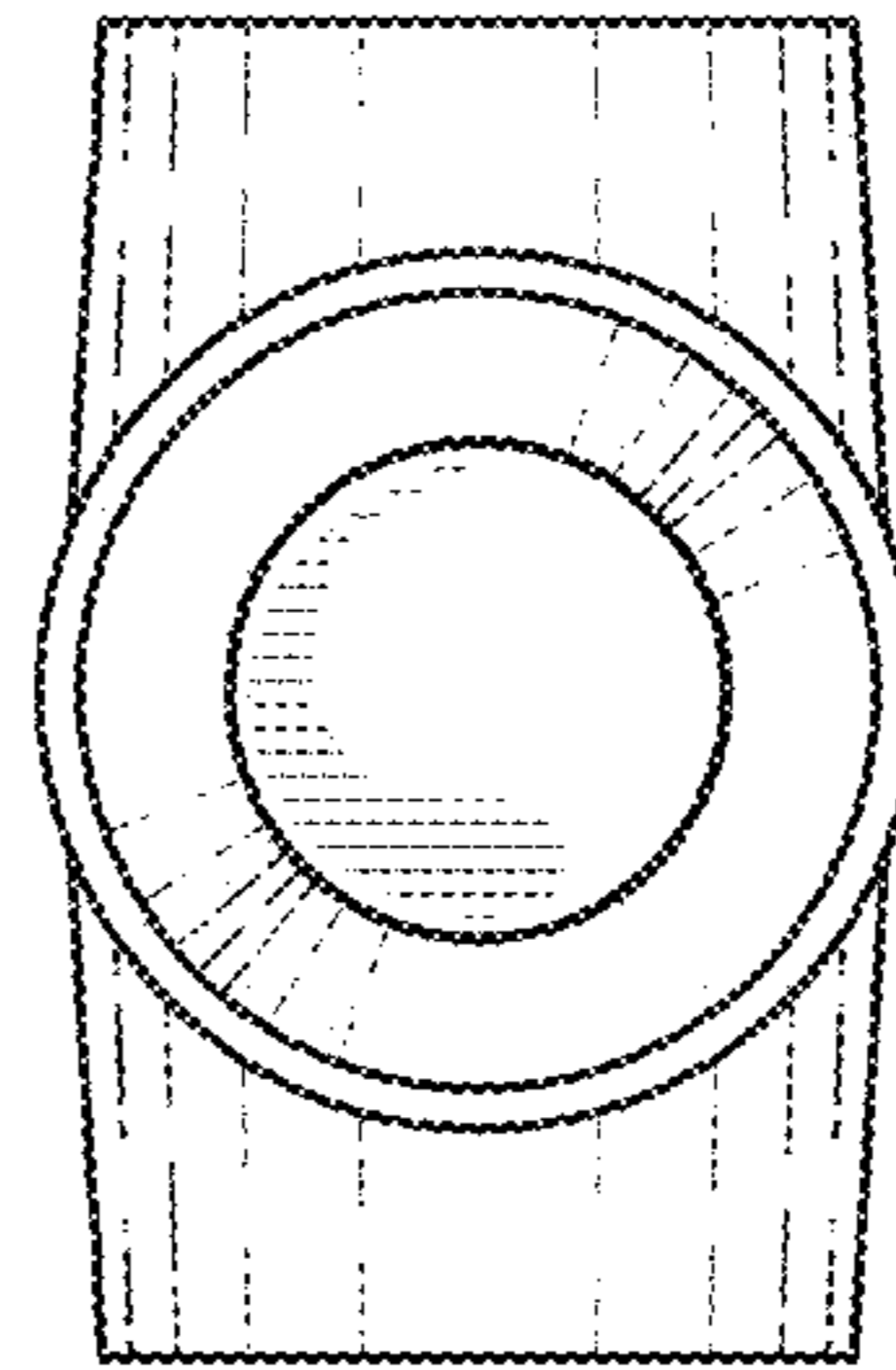


FIG. 10

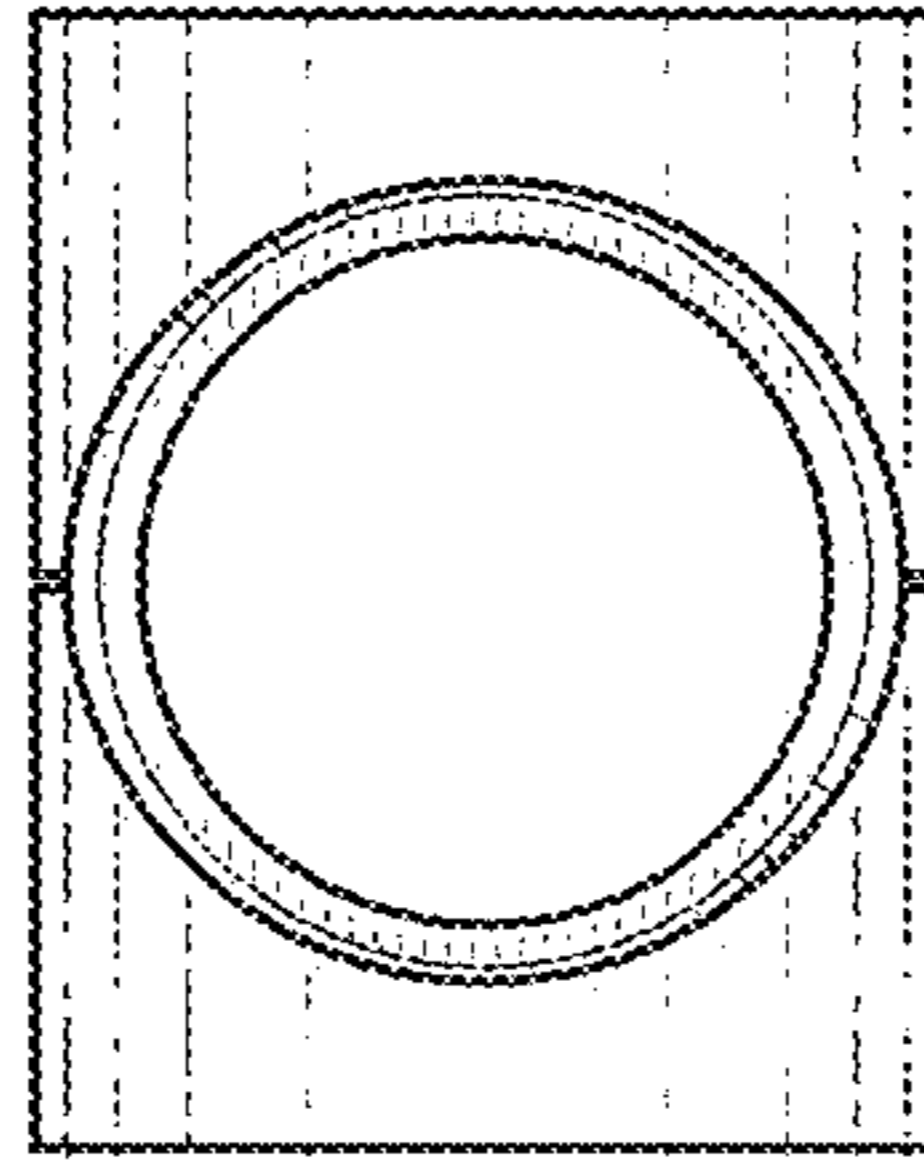


FIG. 12

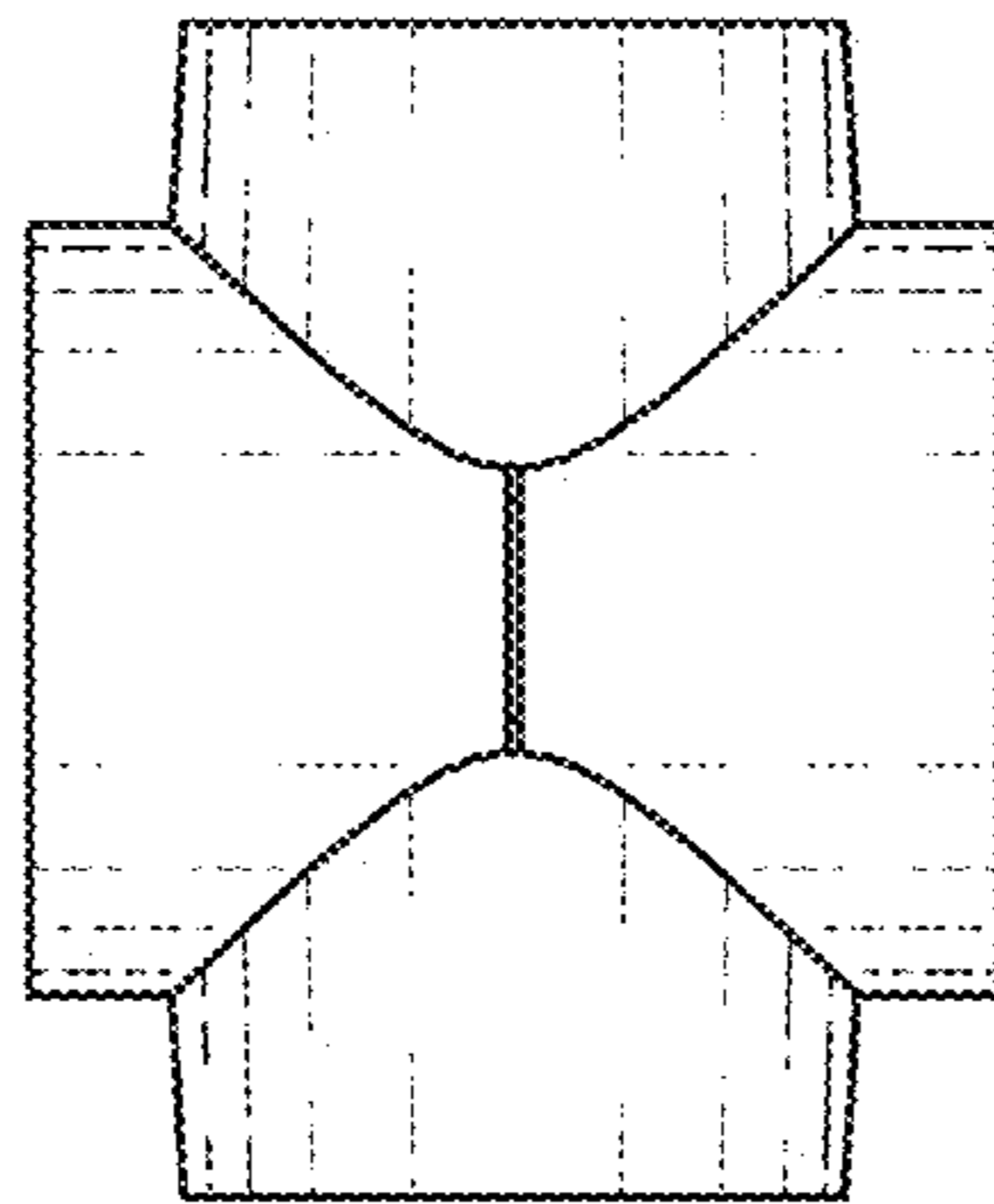


FIG. 11