



US00D908268S

(12) **United States Design Patent**
Chen

(10) **Patent No.:** **US D908,268 S**

(45) **Date of Patent:** **** Jan. 19, 2021**

(54) **LAMP**

(56) **References Cited**

(71) Applicant: **Shenzhen Jinge Electronic & Plastic Co., Ltd., Guangdong (CN)**

U.S. PATENT DOCUMENTS

(72) Inventor: **Dongyi Chen, Guangdong (CN)**

D385,636 S	*	10/1997	Chen	D26/37
D436,679 S	*	1/2001	Leen	D26/65
D500,383 S	*	12/2004	Lin	D26/119
D556,926 S	*	12/2007	Thirouin	D26/37
D631,178 S	*	1/2011	Kovacik	D26/38
D858,837 S	*	9/2019	Vasquez	D26/60
D858,838 S	*	9/2019	Vasquez	D26/60
D883,543 S	*	5/2020	Vasquez	D26/37

(73) Assignee: **Shenzhen Jinge Electronic & Plastic Co., Ltd., Shenzhen (CN)**

(**) Term: **15 Years**

* cited by examiner

(21) Appl. No.: **29/669,107**

Primary Examiner — **Zenia I Bennett**

(22) Filed: **Nov. 6, 2018**

(57) **CLAIM**

The ornamental design for a lamp, as shown and described.

(30) **Foreign Application Priority Data**

DESCRIPTION

Oct. 16, 2018 (CN) 2018 3 0576668

(51) **LOC (13) Cl.** **26-99**

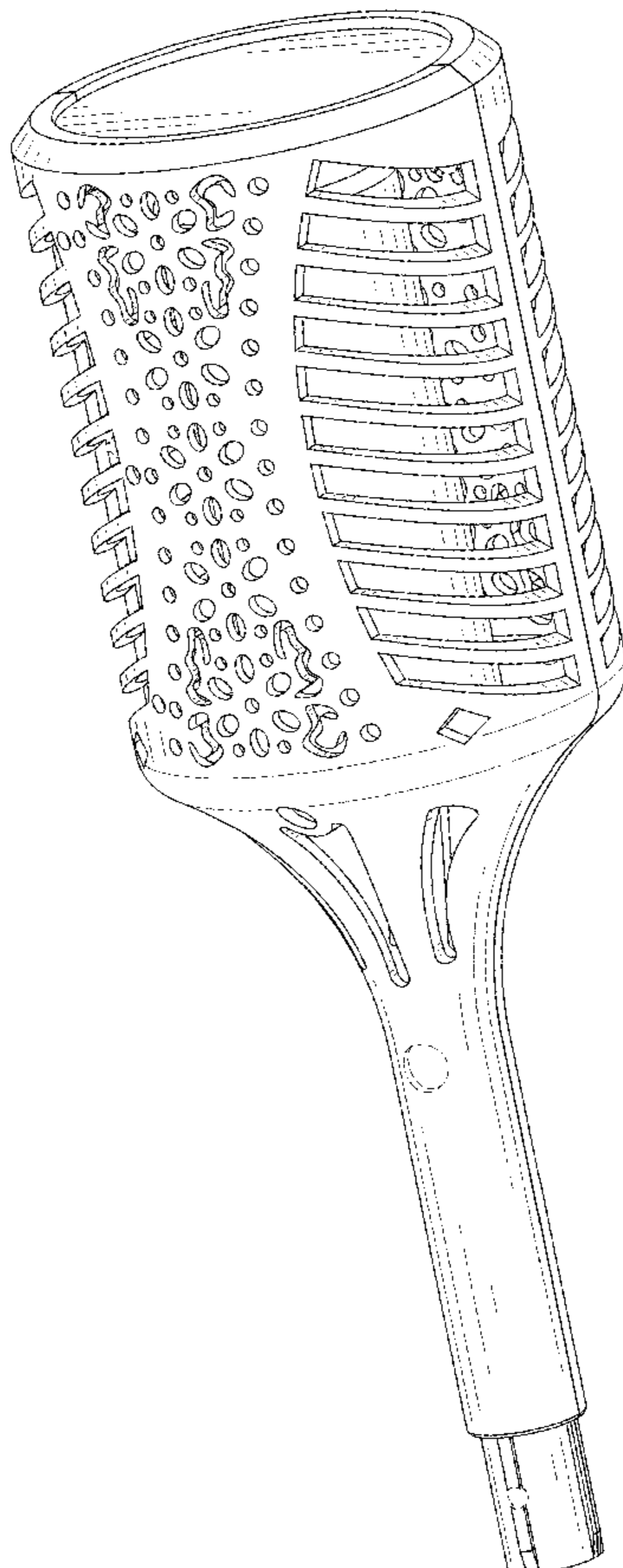
(52) **U.S. Cl.**
USPC **D26/113**

(58) **Field of Classification Search**
USPC D26/24, 37, 38, 40, 42, 50, 113, 119
CPC F21V 29/00; F21V 23/04; F21V 21/00;
F21V 21/08; F21V 21/26; F21V 21/40;
F21L 1/00; F21L 4/00; F21L 4/02; F21L
14/23; F21L 14/02; F21S 13/00

See application file for complete search history.

FIG. 1 is a top, front and right side perspective view of a lamp showing my new design;
FIG. 2 is a front elevational view thereof;
FIG. 3 is a rear elevational view thereof;
FIG. 4 is a left side view thereof;
FIG. 5 is a right side view thereof;
FIG. 6 is a top plan view thereof; and,
FIG. 7 is a bottom plan view thereof.
The broken lines in the drawings illustrate portions of the lamp which form no part of the claimed design.

1 Claim, 7 Drawing Sheets



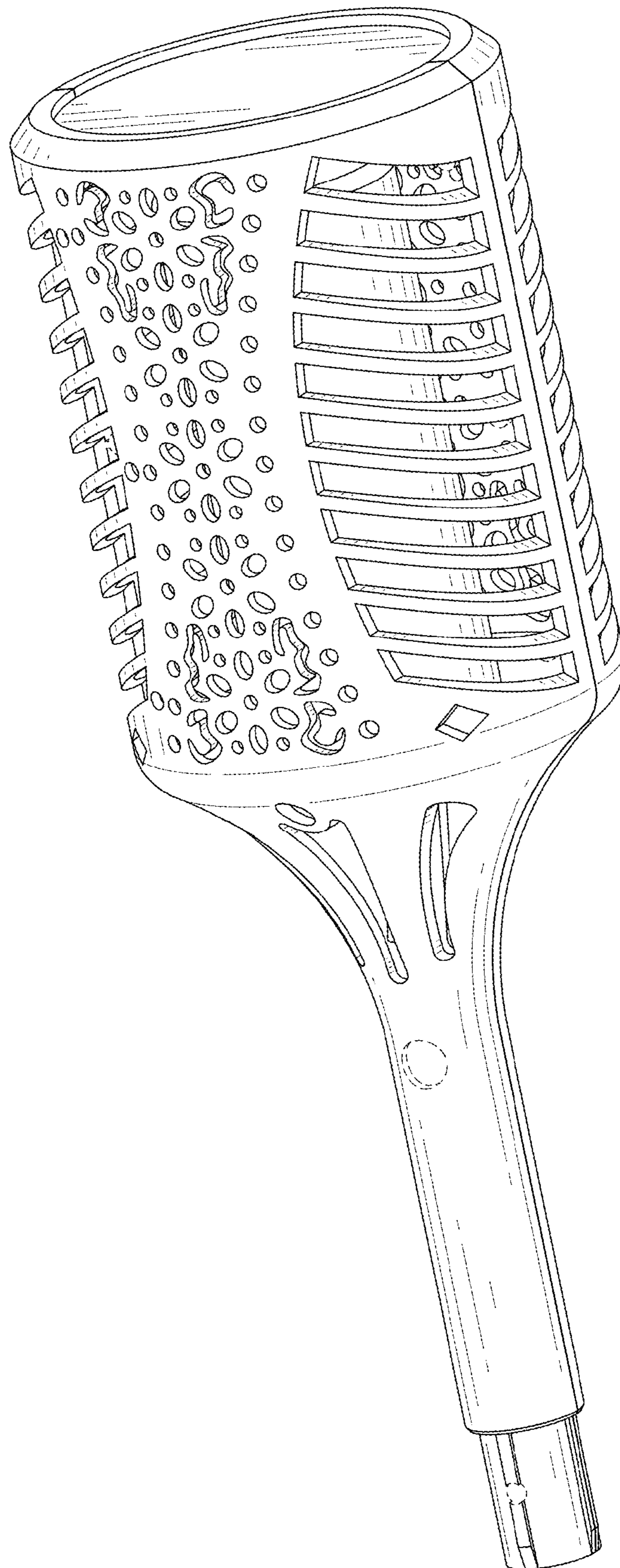


FIG. 1

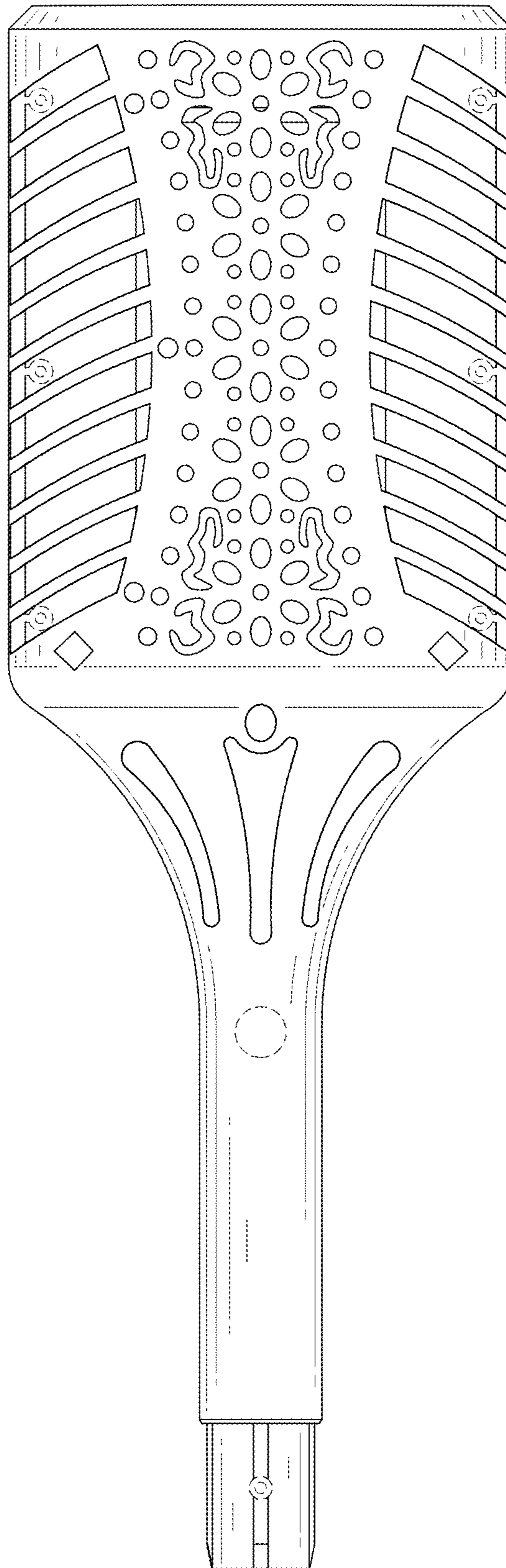


FIG. 2

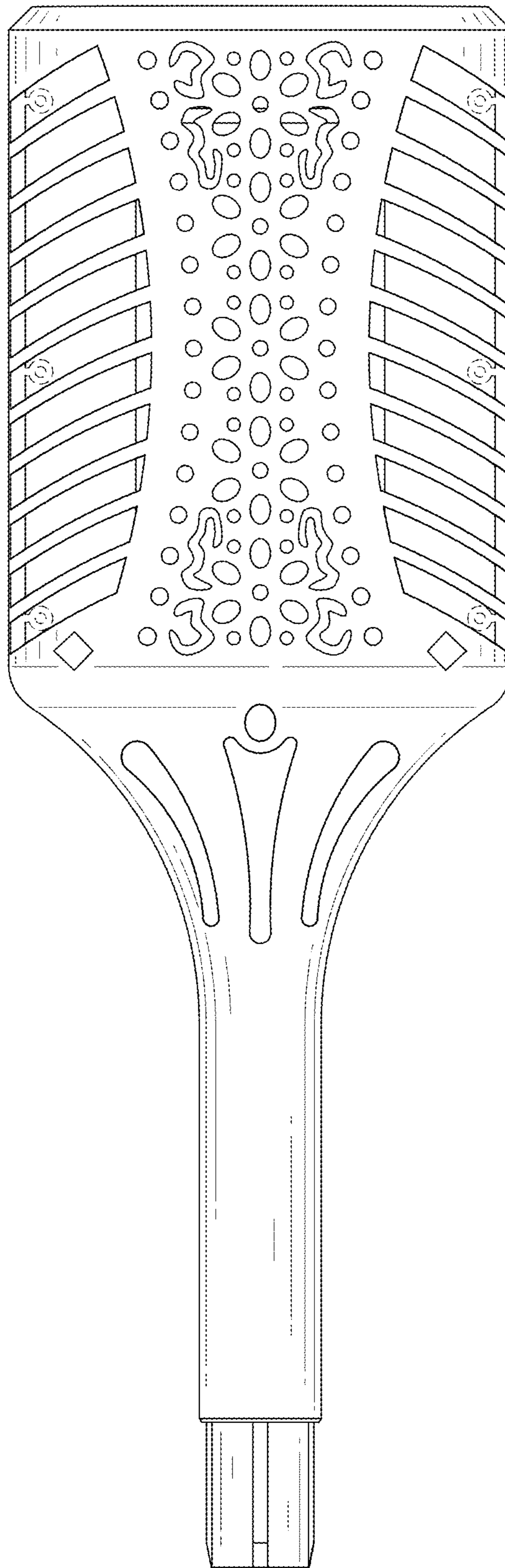


FIG. 3

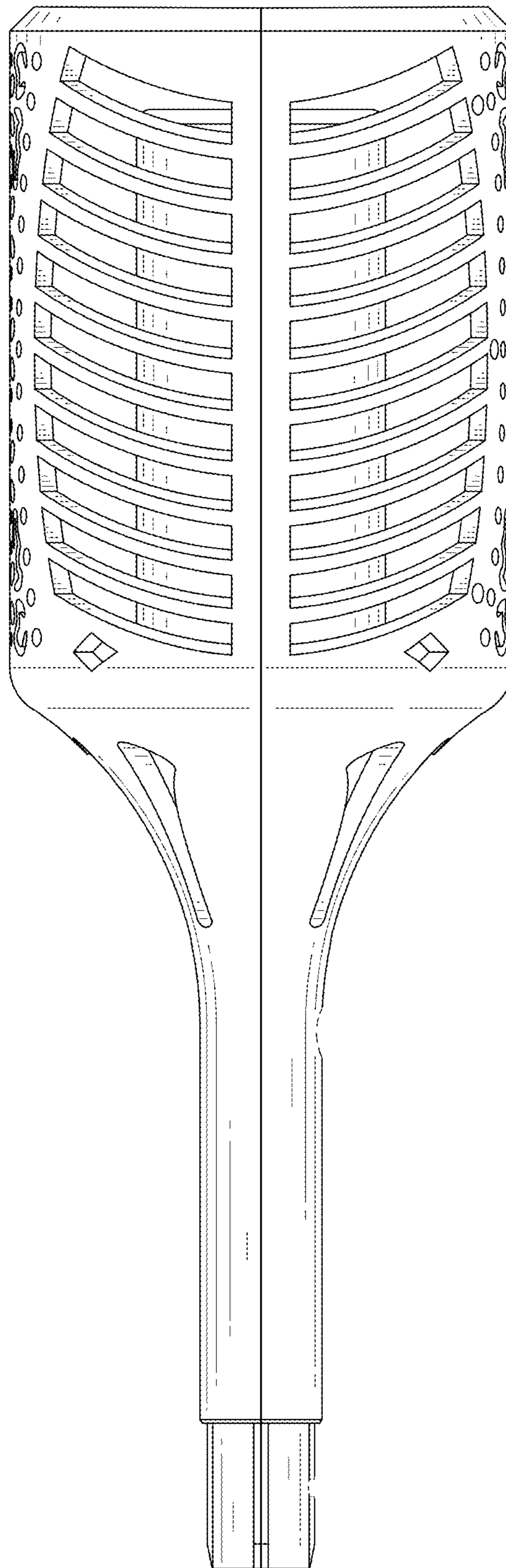


FIG. 4

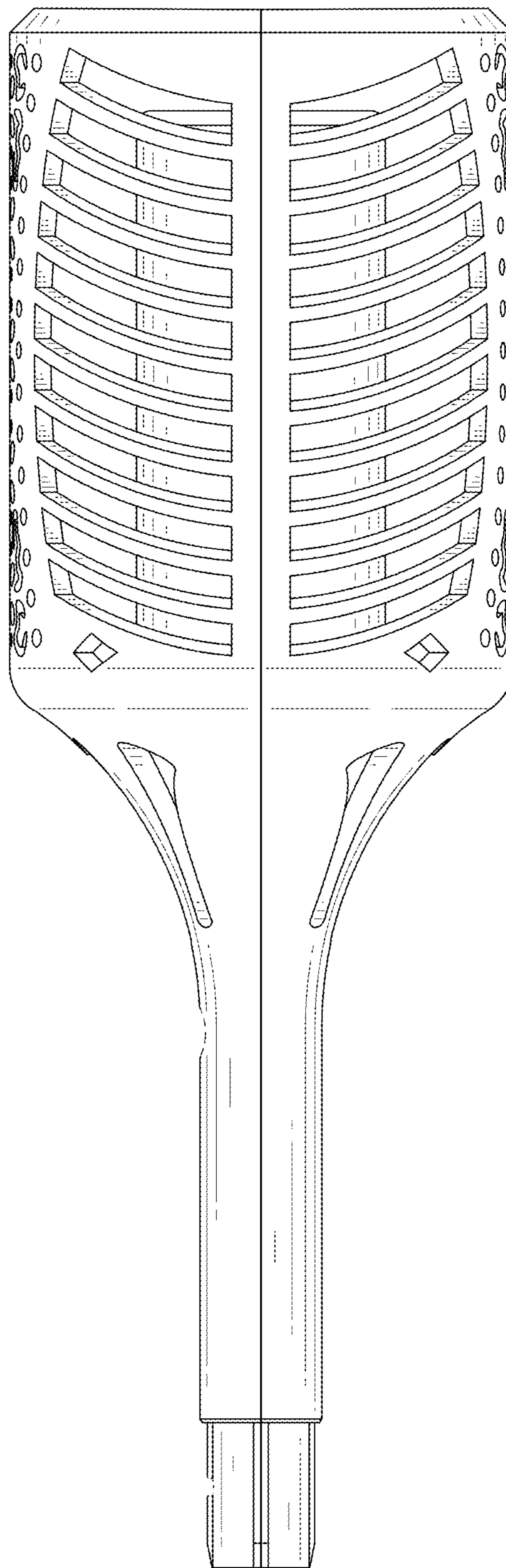


FIG. 5

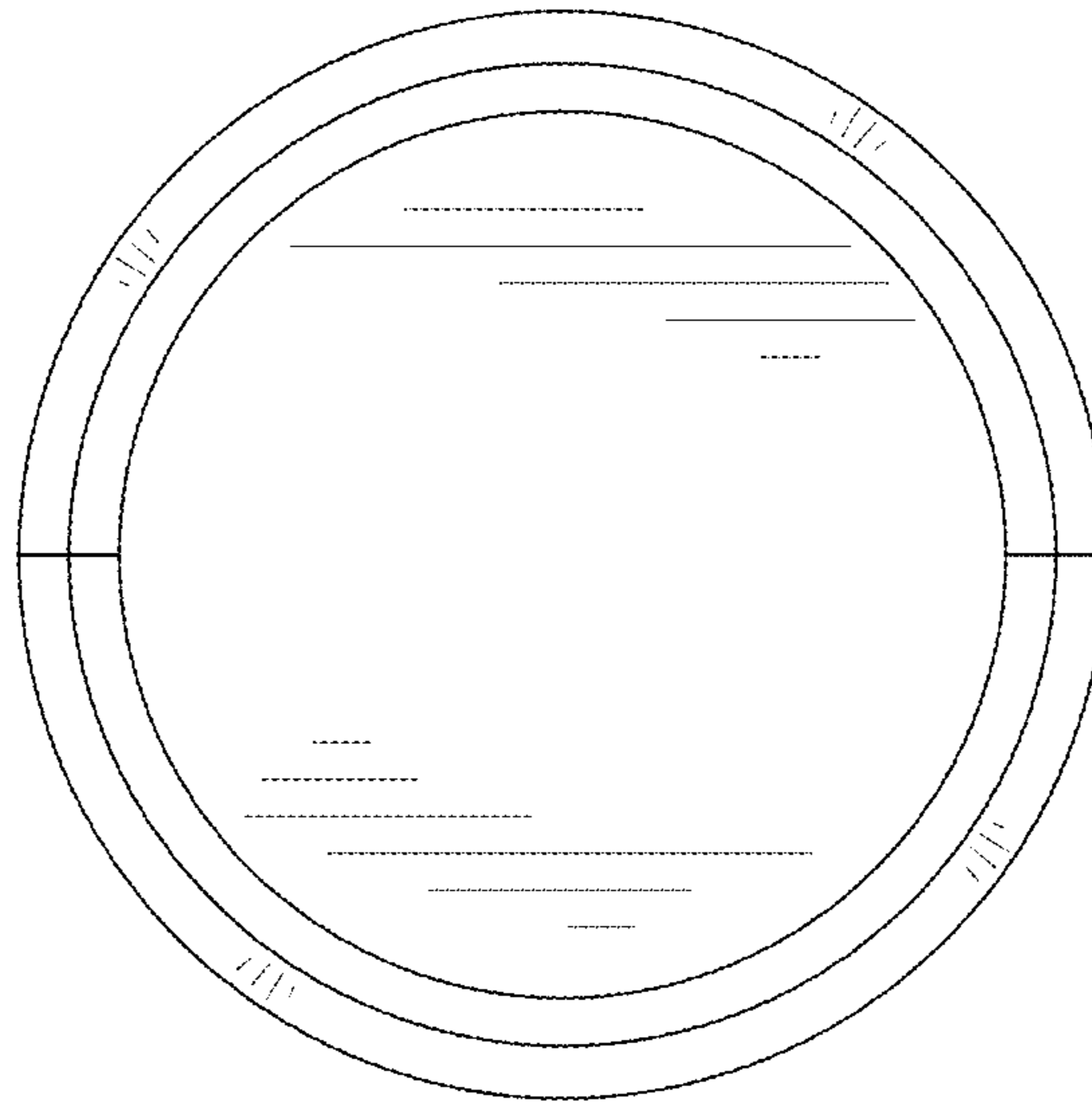


FIG. 6

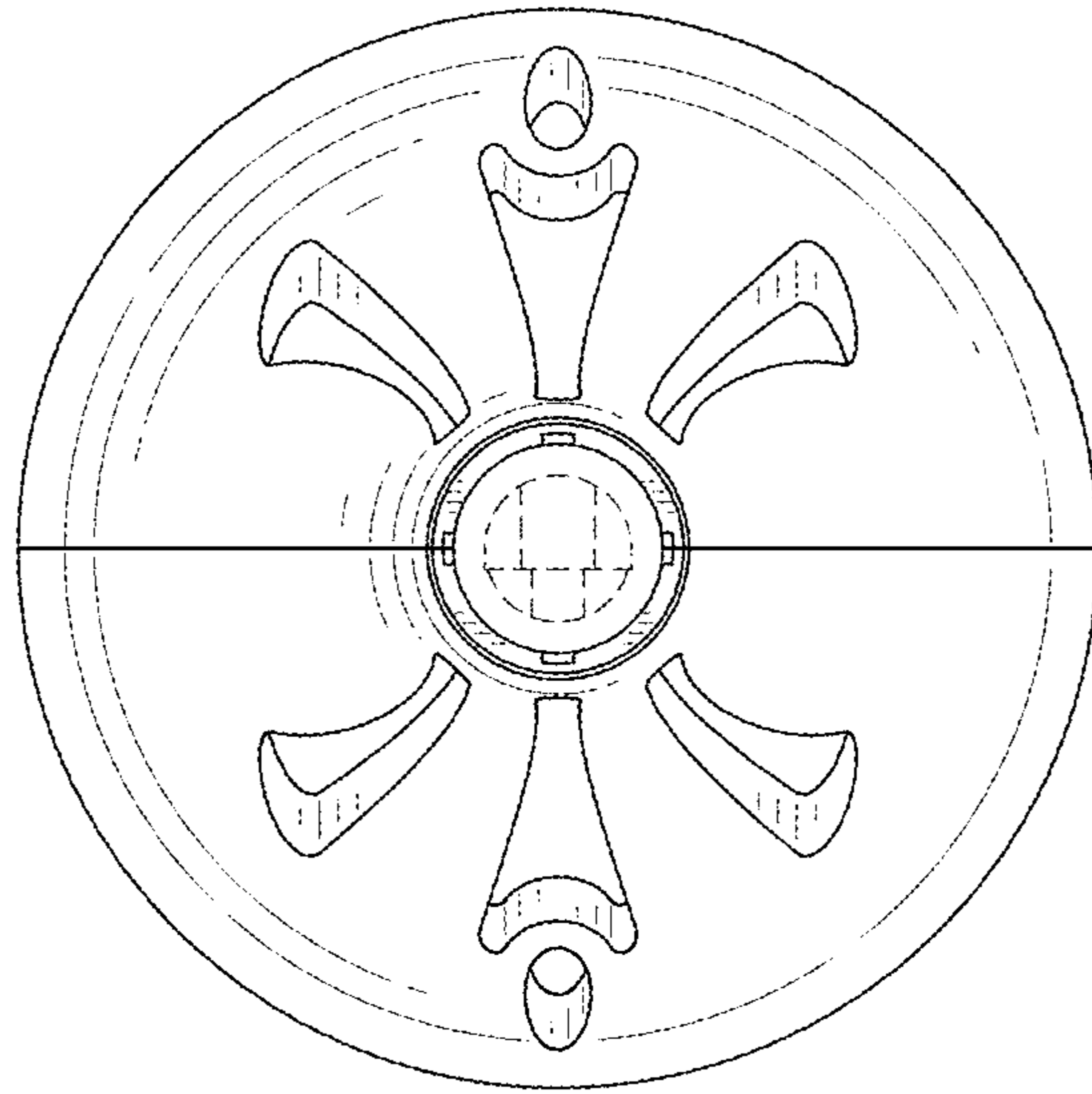


FIG. 7