



US00D908267S

(12) **United States Design Patent**
Tang

(10) **Patent No.:** **US D908,267 S**

(45) **Date of Patent:** **** Jan. 19, 2021**

- (54) **GROW LIGHT WITH STAND**
- (71) Applicant: **Songjie Tang**, Guangdong (CN)
- (72) Inventor: **Songjie Tang**, Guangdong (CN)
- (**) Term: **15 Years**
- (21) Appl. No.: **29/738,314**
- (22) Filed: **Jun. 16, 2020**
- (51) **LOC (13) Cl.** **26-05**
- (52) **U.S. Cl.**
USPC **D26/106; D26/102**
- (58) **Field of Classification Search**
USPC D26/13, 25, 34, 38, 42, 60, 72, 76, 78,
D26/80, 84, 102, 106, 111, 118, 120, 138,
D26/150; D16/237, 239, 244, 245, 250;
D18/40
CPC .. F21S 8/081; F21S 8/083; F21S 8/085; F21S
8/088; F21S 6/005; F21V 3/0445; F21V
21/32; F21Y 2103/00; F21Y 2103/01;
F21W 2131/103; F21W 2131/109
See application file for complete search history.

(56) **References Cited**

U.S. PATENT DOCUMENTS

- 2,976,399 A * 3/1961 Christy F21V 23/026
362/221
- D469,462 S * 1/2003 Onodera D18/40
- D637,752 S * 5/2011 Mekhtarian
- D711,573 S * 8/2014 Payne D26/42
- D796,730 S * 9/2017 Sonneman D26/118
- D805,669 S * 12/2017 Noga D26/51
- D809,702 S * 2/2018 Drew et al.
- D811,635 S * 2/2018 Urry D26/42

- D875,286 S * 2/2020 Noga D26/42
- D878,654 S * 3/2020 Lin D26/60
- D880,048 S * 3/2020 Zhu
- D884,260 S * 5/2020 Soofer D26/138
- D895,716 S * 9/2020 Chen D16/244
- 2008/0192476 A1 * 8/2008 Hiratsuka F21V 7/0083
362/285
- 2011/0012531 A1 * 1/2011 Zheng F21S 2/00
315/294
- 2012/0188756 A1 * 7/2012 Kokoski F21V 29/763
362/217.05
- 2019/0208606 A1 * 7/2019 Tang F21S 4/28
- 2019/0366498 A1 * 12/2019 Wang B23Q 17/2404

* cited by examiner

Primary Examiner — Wan Laymon

Assistant Examiner — Clint A Samuel

(74) *Attorney, Agent, or Firm* — ScienBiziP, P.C.

(57) **CLAIM**

The ornamental design for a grow light with stand, as shown and described.

DESCRIPTION

FIG. 1 is a front and right perspective view of a grow light with stand, showing my design.

FIG. 2 is a front elevation view thereof.

FIG. 3 is a rear elevation view thereof.

FIG. 4 is a left side elevation view thereof.

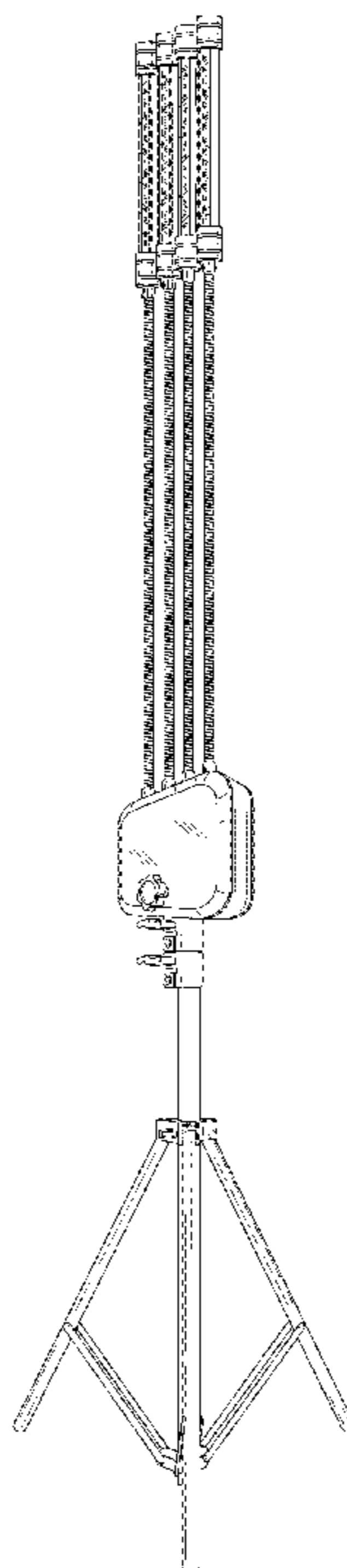
FIG. 5 is a right side elevation view thereof.

FIG. 6 is a top plan view thereof; and,

FIG. 7 is a bottom plan view thereof.

The broken lines showing in the drawings are for the purpose of illustrating portions of the grow light with stand and form no part of the claimed design.

1 Claim, 7 Drawing Sheets



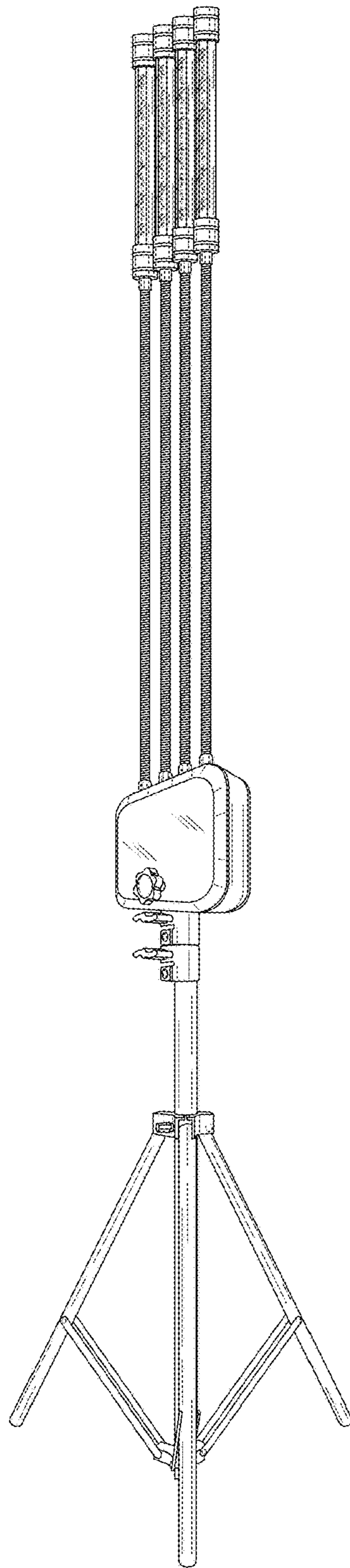


FIG. 1

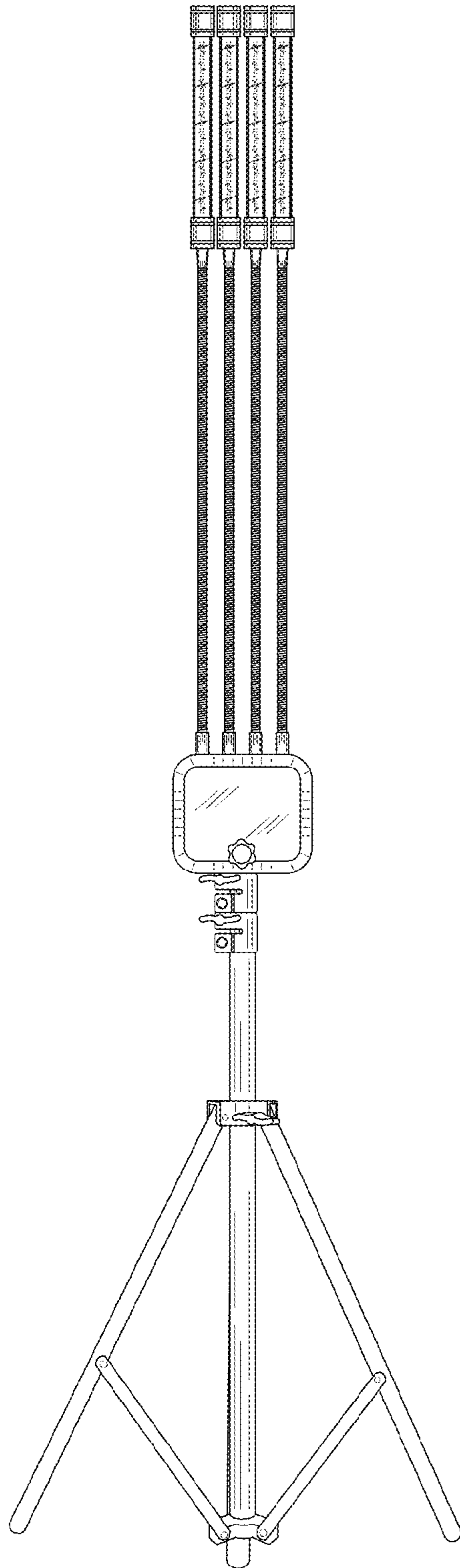


FIG.2

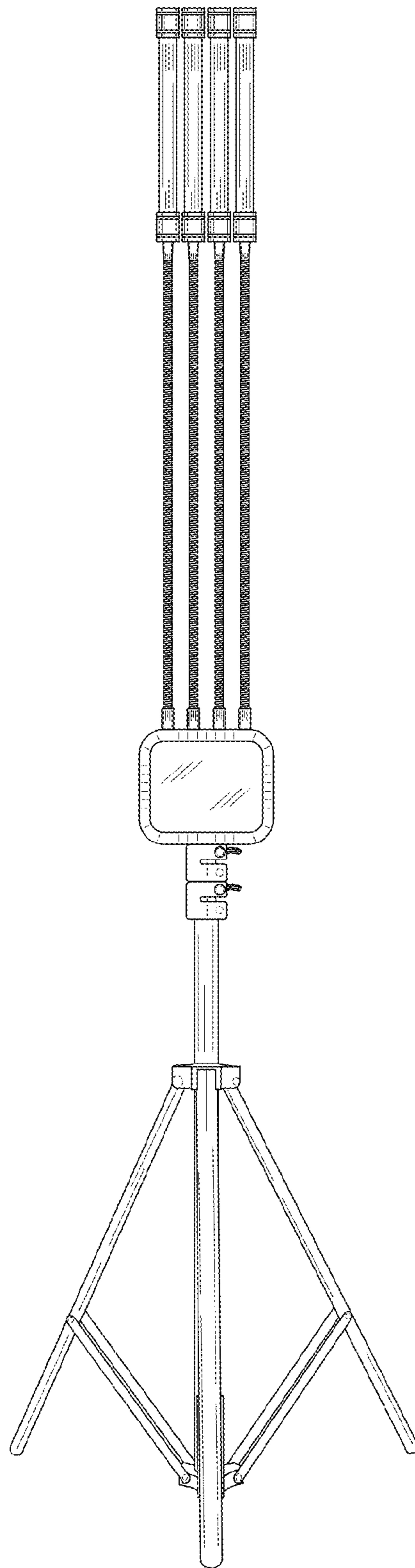


FIG.3

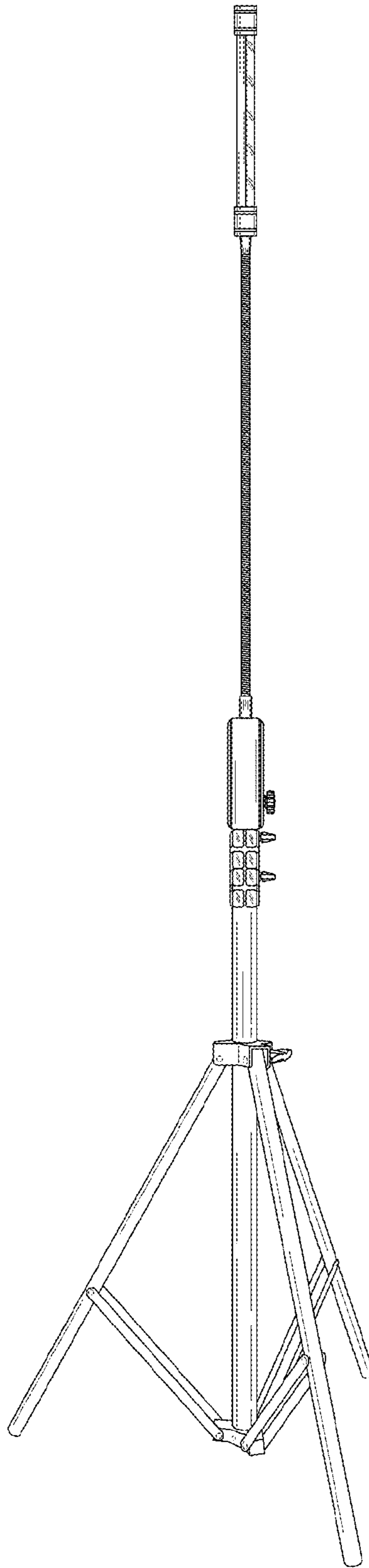


FIG.4

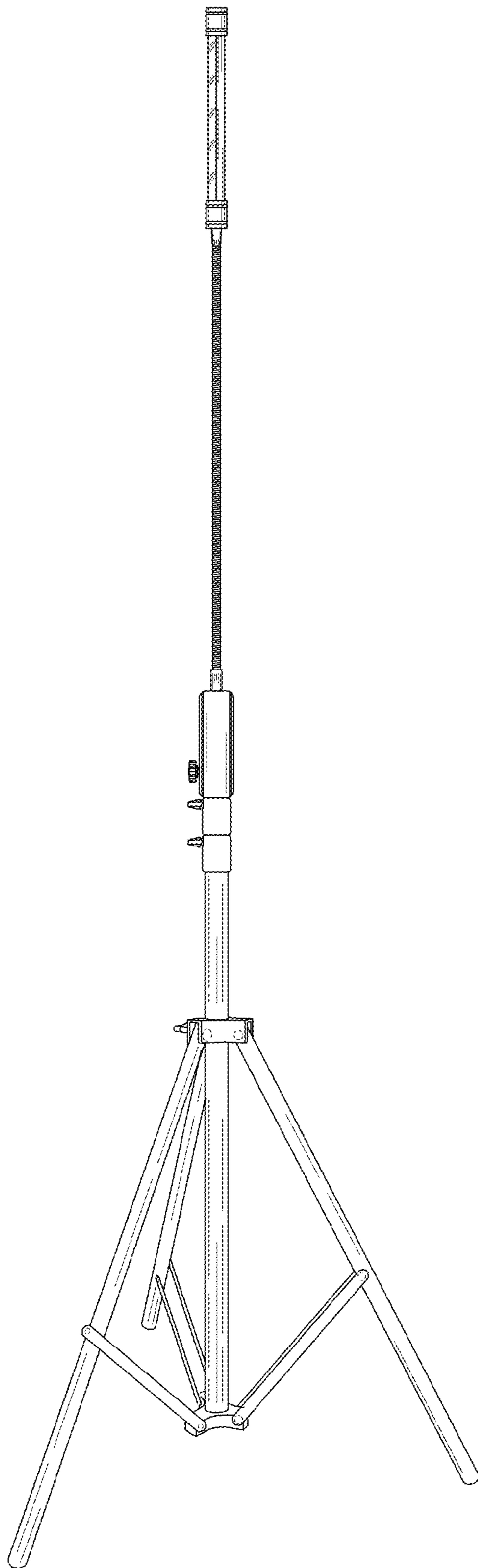


FIG.5

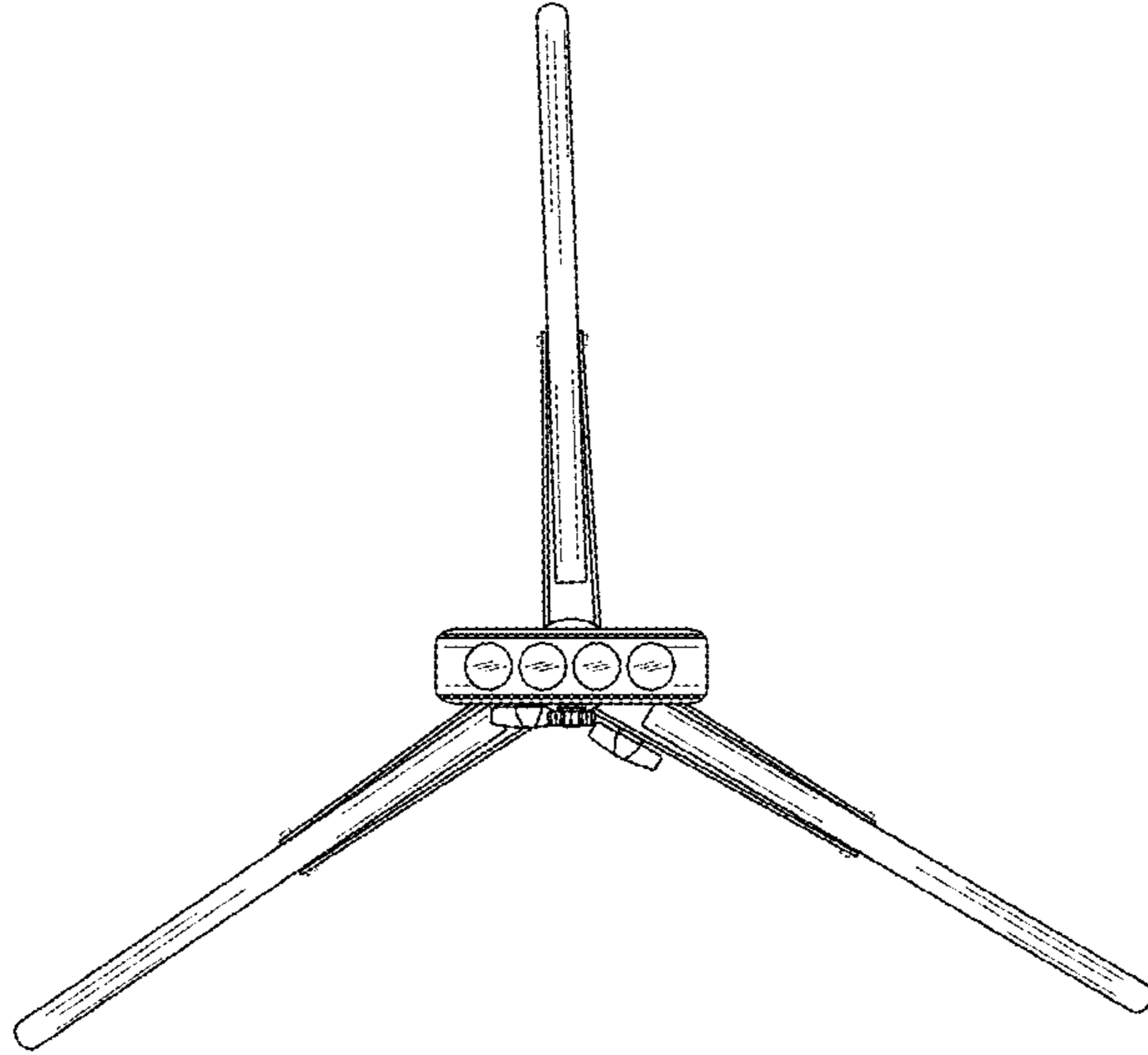


FIG.6



FIG.7