



US00D908265S

(12) **United States Design Patent**  
**Zheng**

(10) **Patent No.:** **US D908,265 S**

(45) **Date of Patent:** **\*\* Jan. 19, 2021**

(54) **BATHROOM LIGHT FIXTURE**

(71) Applicant: **Nan Zheng**, Shenzhen (CN)

(72) Inventor: **Nan Zheng**, Shenzhen (CN)

(\*\*) Term: **15 Years**

(21) Appl. No.: **29/739,522**

(22) Filed: **Jun. 25, 2020**

(51) **LOC (13) Cl.** ..... **26-05**

(52) **U.S. Cl.**  
USPC ..... **D26/86**

(58) **Field of Classification Search**  
USPC ..... D26/85-87, 72  
See application file for complete search history.

(56) **References Cited**

**U.S. PATENT DOCUMENTS**

D411,325 S *	6/1999	Roorda	.....	D26/72
D608,488 S *	1/2010	Miranda	.....	D26/87
D646,424 S *	10/2011	Ho	.....	D26/85
D816,882 S *	5/2018	Qiao	.....	D26/86

D869,730 S	12/2019	Lin	
D879,353 S *	3/2020	Lin	..... D26/87
D888,316 S *	6/2020	Huang	..... D26/86

\* cited by examiner

*Primary Examiner* — George D. Kirschbaum

(74) *Attorney, Agent, or Firm* — Justin Lampel

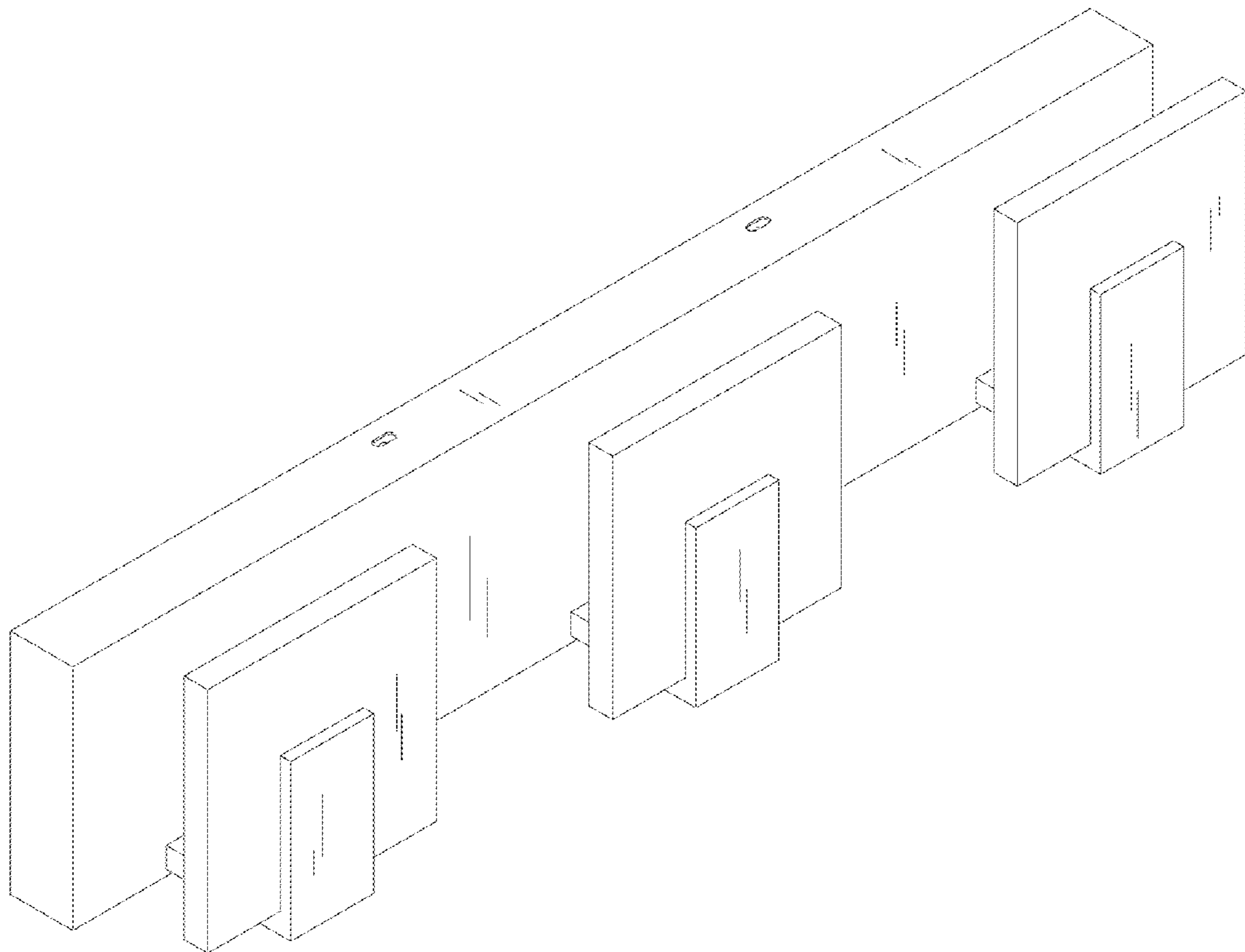
(57) **CLAIM**

The ornamental design for a bathroom light fixture, as shown and described.

**DESCRIPTION**

FIG. 1 is a perspective view of a Bathroom light fixture showing the claimed design;  
 FIG. 2 is a top plan view thereof;  
 FIG. 3 is a left side view thereof;  
 FIG. 4 is a front elevational view thereof;  
 FIG. 5 is a right side view thereof;  
 FIG. 6 is a rear elevational view thereof;  
 FIG. 7 is a bottom plan view thereof; and,  
 FIG. 8 is also a perspective view thereof.  
 The broken lines illustrate portions of the Bathroom light fixture that form no part of the claimed design.

**1 Claim, 8 Drawing Sheets**



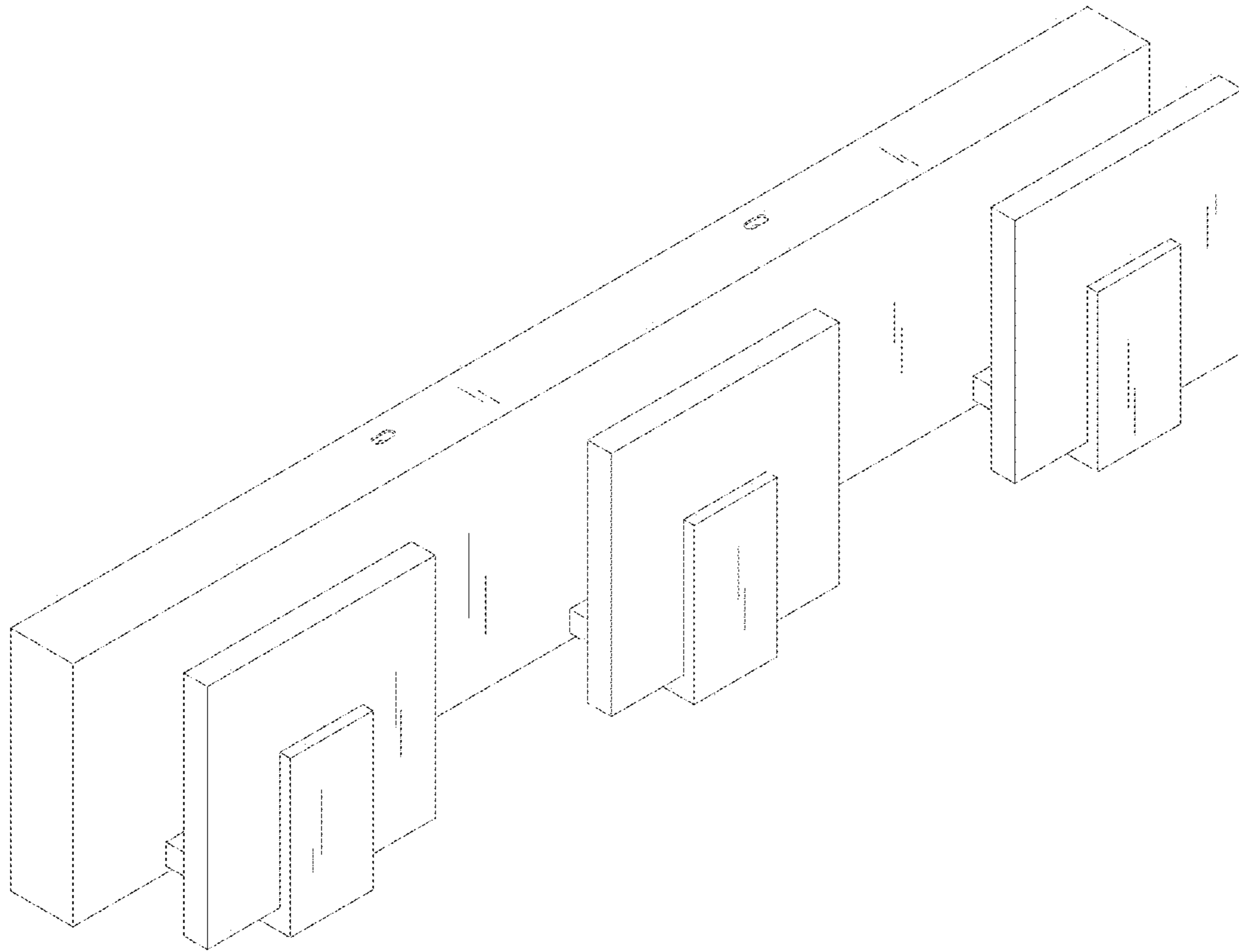


FIG.1

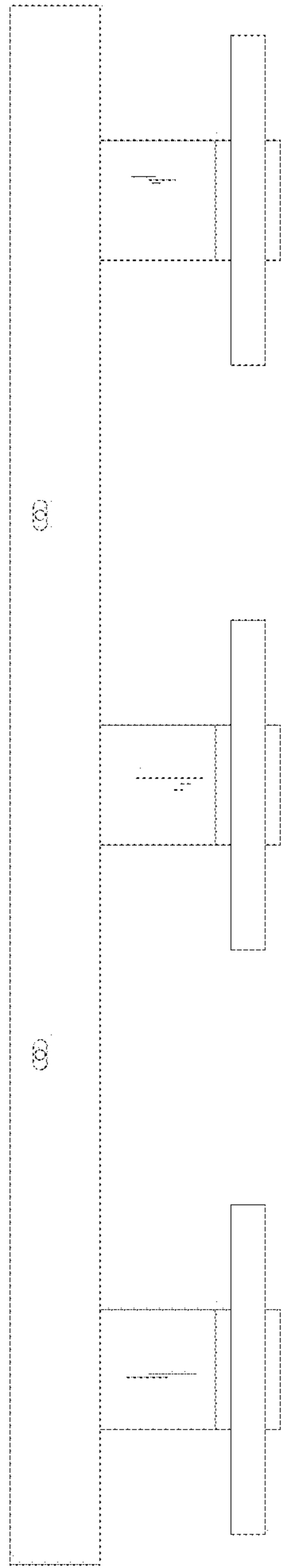


FIG.2

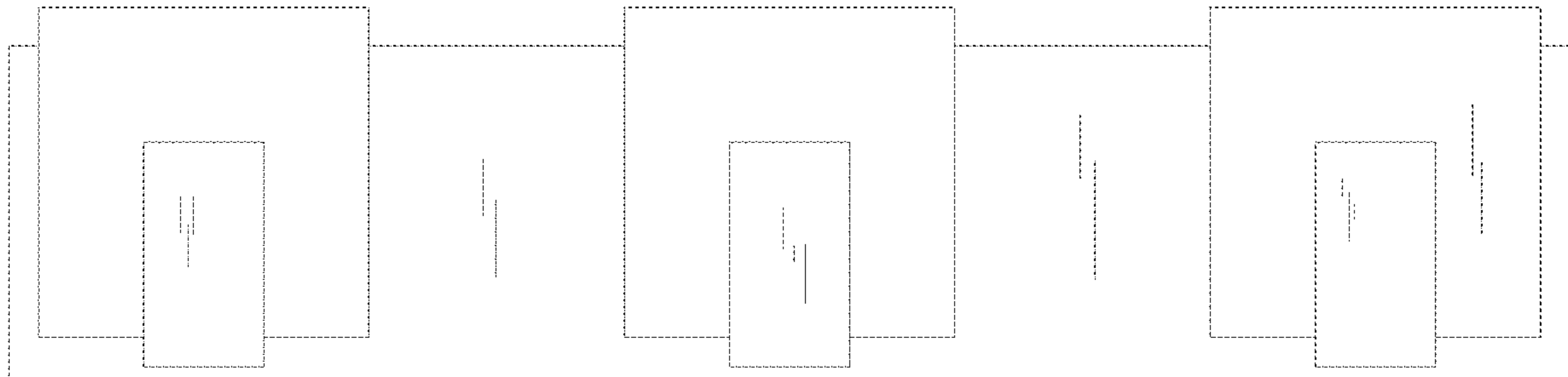


FIG.3

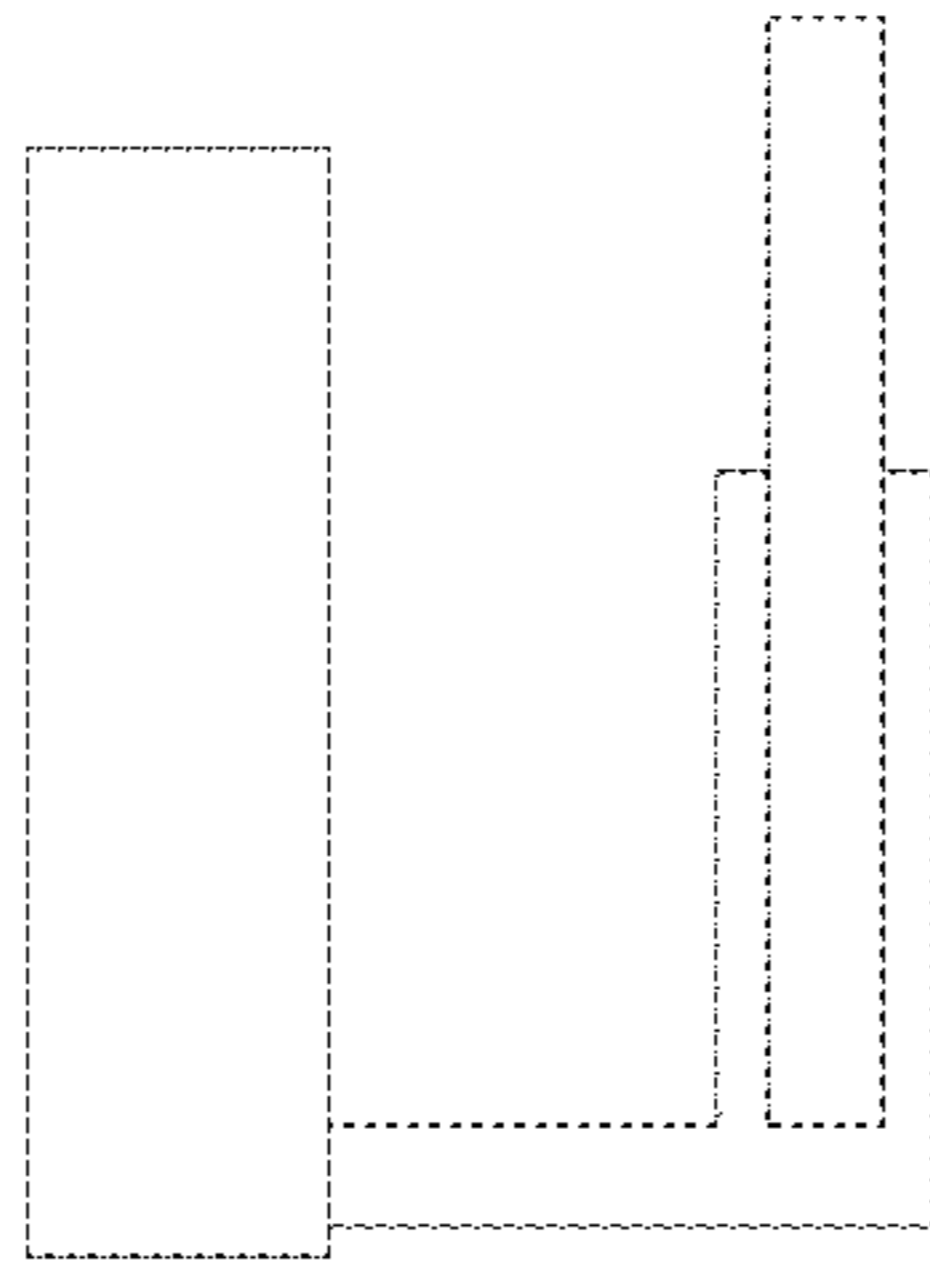


FIG.4

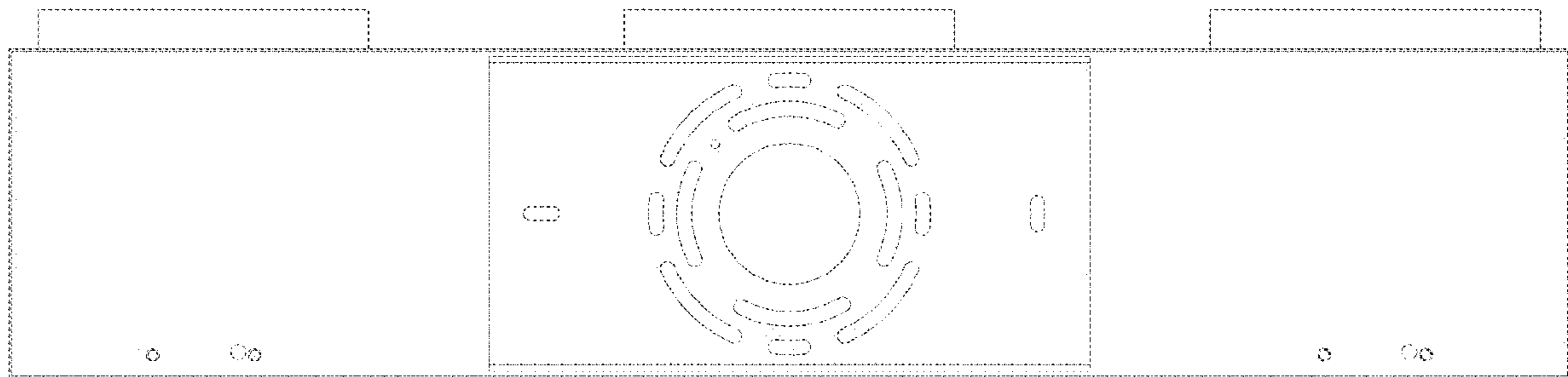


FIG.5

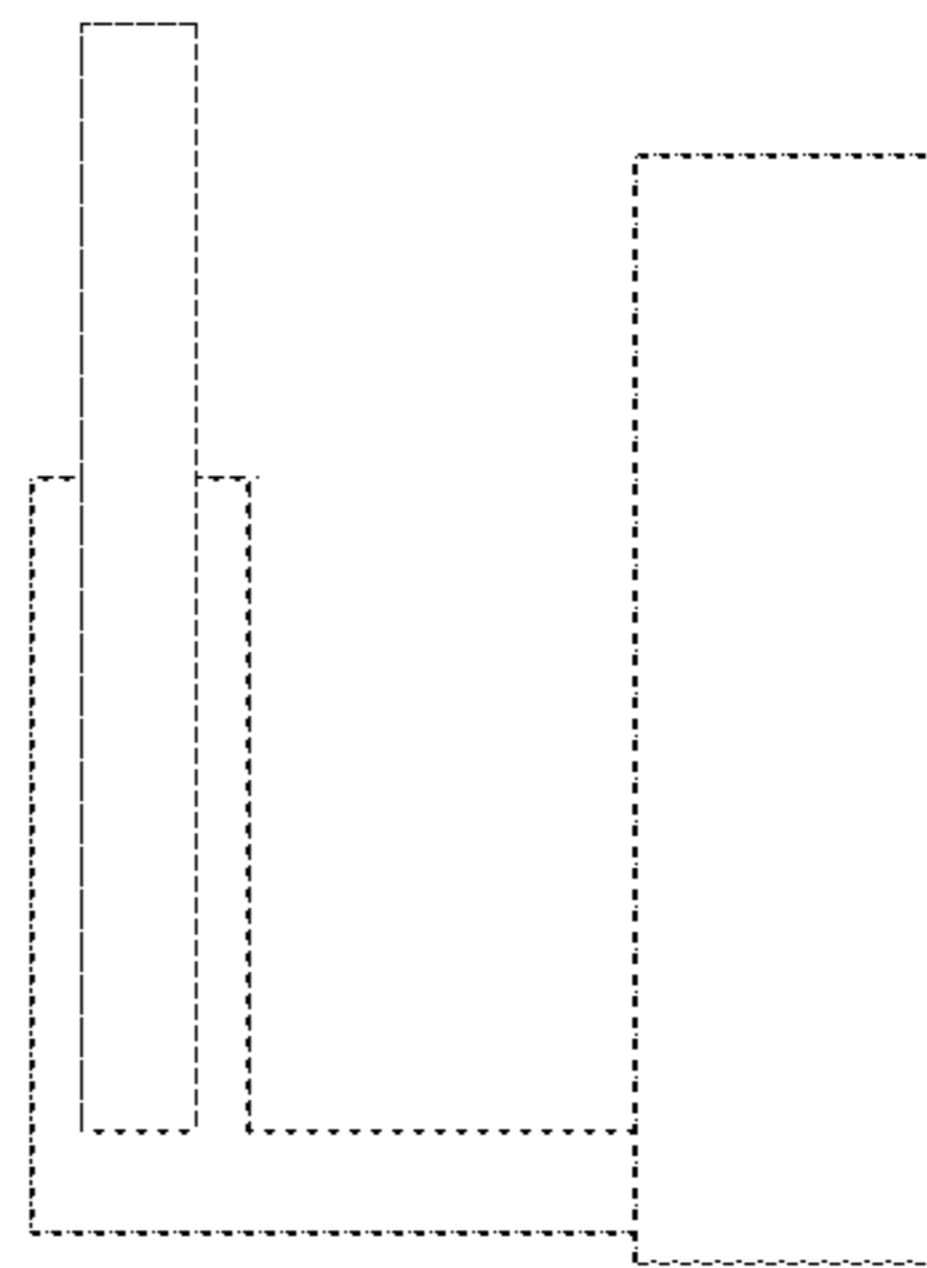


FIG.6

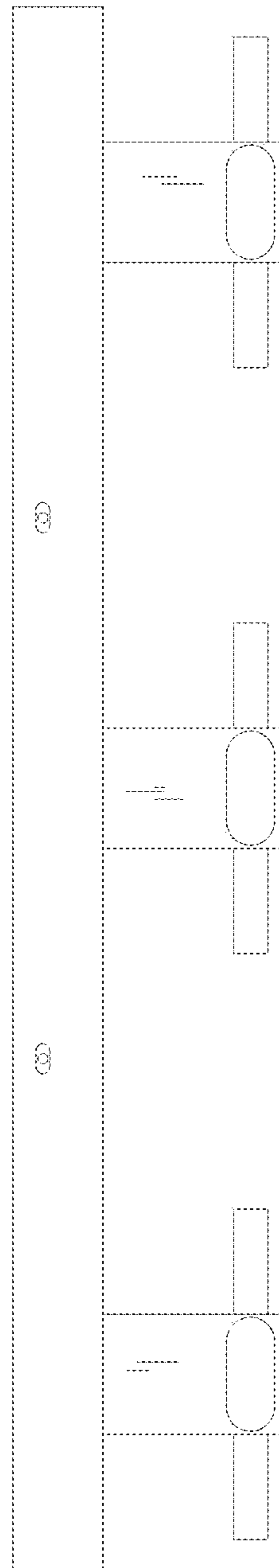


FIG. 7



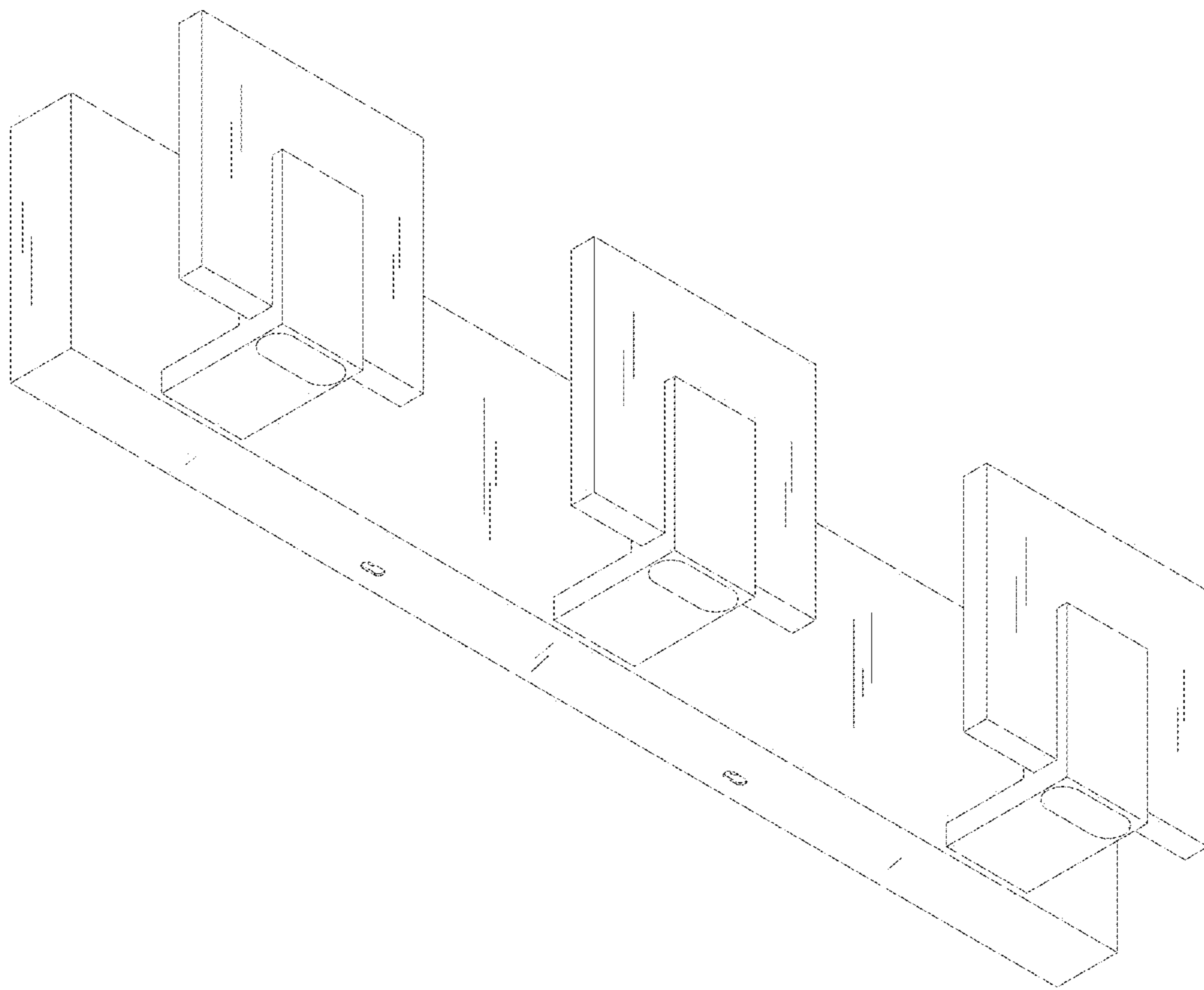


FIG.8