



US00D908263S

(12) **United States Design Patent**  
**Gregory**

(10) **Patent No.:** **US D908,263 S**

(45) **Date of Patent:** **\*\* Jan. 19, 2021**

(54) **LIGHT**

(71) Applicant: **Weston Gregory**, Tacoma, WA (US)

(72) Inventor: **Weston Gregory**, Tacoma, WA (US)

(\*\*) Term: **15 Years**

(21) Appl. No.: **29/701,785**

(22) Filed: **Aug. 14, 2019**

(51) **LOC (13) Cl.** ..... **26-05**

(52) **U.S. Cl.**  
USPC ..... **D26/72**

(58) **Field of Classification Search**  
USPC ..... D26/72, 88  
CPC .... F21S 8/03; F21S 8/033; F21S 8/036; F21S  
8/04; F21S 8/043; F21S 8/06; F21S  
8/061; F21S 8/063; F21S 8/086; F21V  
29/76; F21V 29/77; F21V 29/777; F21V  
29/78

See application file for complete search history.

(56) **References Cited**

**U.S. PATENT DOCUMENTS**

D443,713 S *	6/2001	Benensohn	.....	D26/72
D528,694 S *	9/2006	Barozzini	.....	D13/110
D627,502 S *	11/2010	Zheng	.....	D26/72
D633,243 S *	2/2011	Call	.....	D26/72
D663,464 S *	7/2012	Lee	.....	D26/72
D861,223 S *	9/2019	Rosello	.....	D26/72
D868,335 S *	11/2019	Li	.....	D26/72
D875,292 S *	2/2020	Zhou	.....	D26/72

D880,748 S *	4/2020	Calaceto	.....	D26/72
2013/0100677 A1 *	4/2013	Powell	.....	F21V 7/0016 362/296.01
2013/0308314 A1 *	11/2013	Wung	.....	F21K 9/20 362/249.02
2015/0204521 A1 *	7/2015	Zhang	.....	F21V 21/28 362/294
2018/0231189 A1 *	8/2018	Guo	.....	F21V 29/70

\* cited by examiner

*Primary Examiner* — Clare E Heflin

(74) *Attorney, Agent, or Firm* — Janeway Patent Law  
PLLC; John M. Janeway

(57) **CLAIM**

The ornamental design for a light, as shown and described.

**DESCRIPTION**

FIG. 1 is a perspective view of a light according to the invention.

FIG. 2 is a front, elevation view of the light.

FIG. 3 is a rear, elevation view of the light.

FIG. 4 is a right side, elevation view of the light.

FIG. 5 is a left side, elevation view of the light.

FIG. 6 is a top, plan view of the light; and,

FIG. 7 is a bottom, plan view of the light.

The broken lines in FIGS. 1, 2, 3, 4, 5, 6 and 7 showing other structure of the light do not form a part of the claimed design.

**1 Claim, 7 Drawing Sheets**

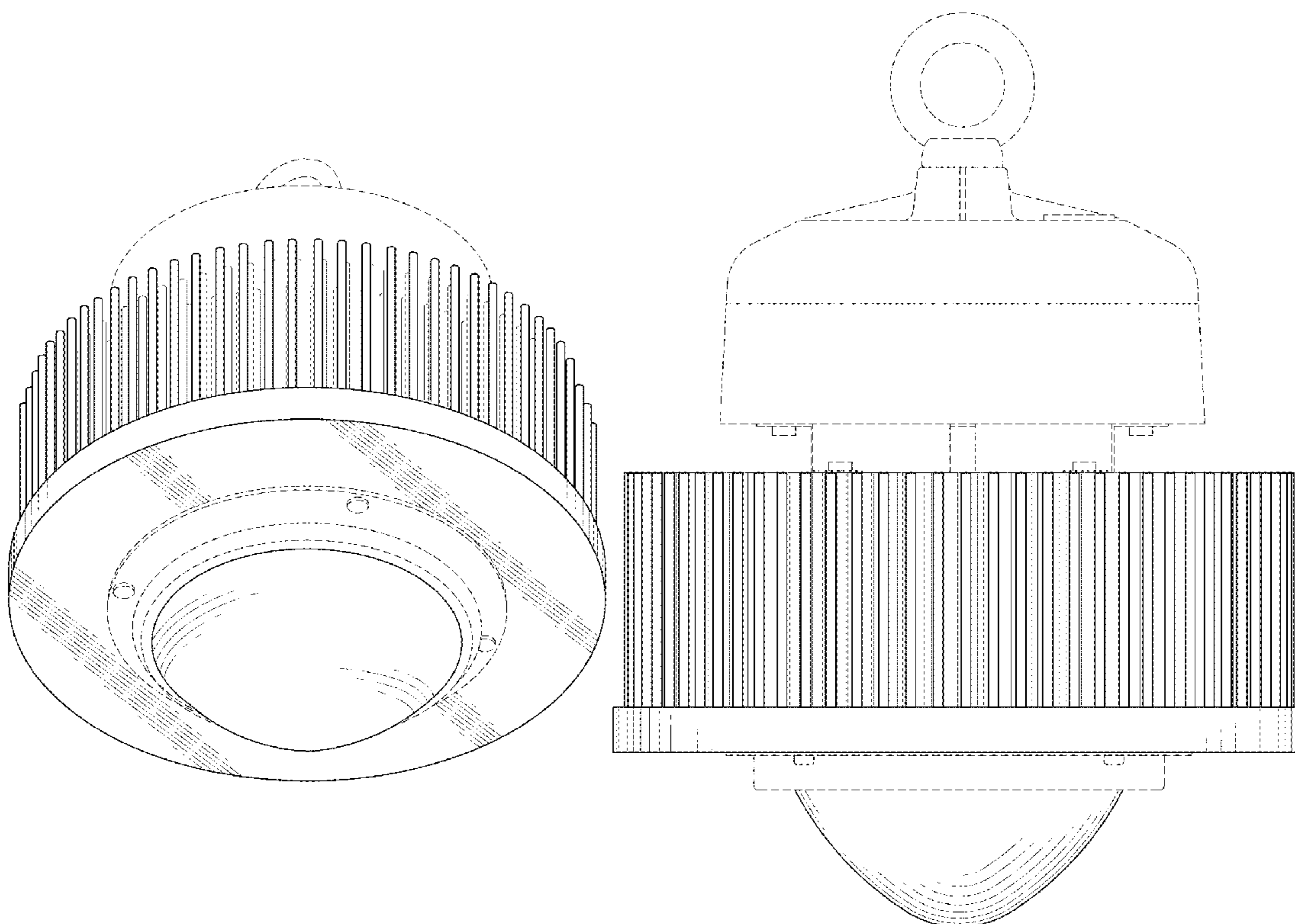


FIG. 1

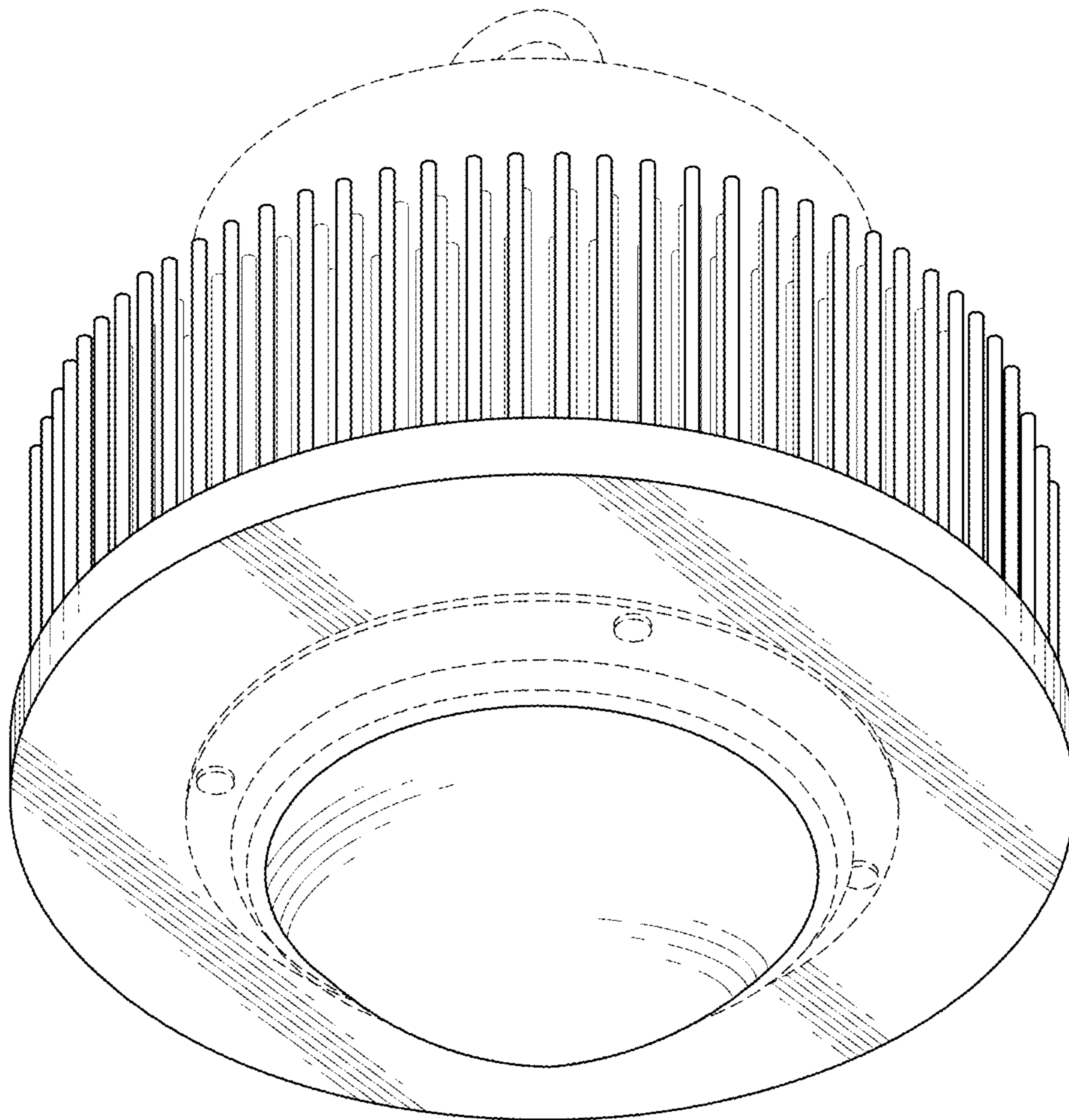


FIG. 2

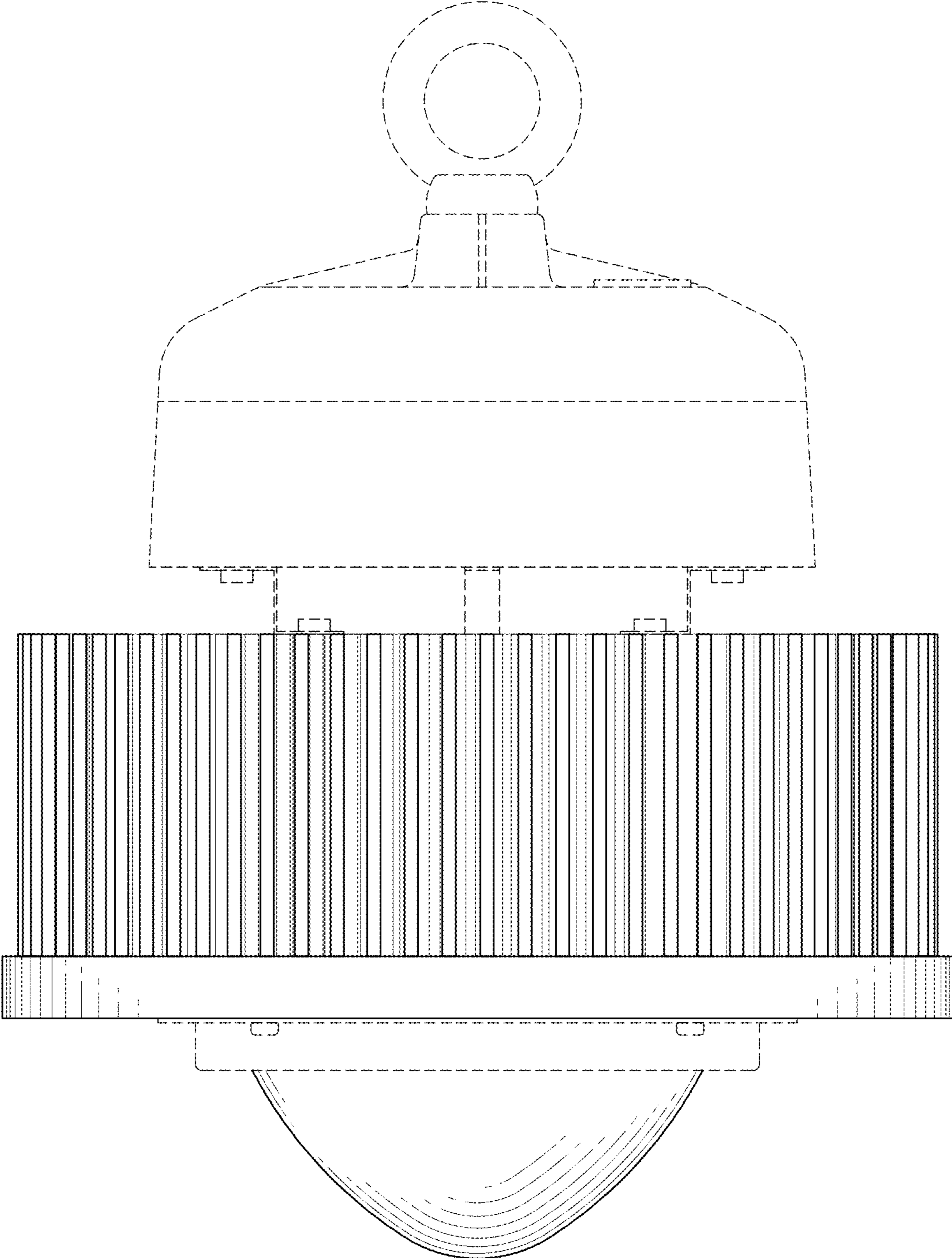




FIG. 3

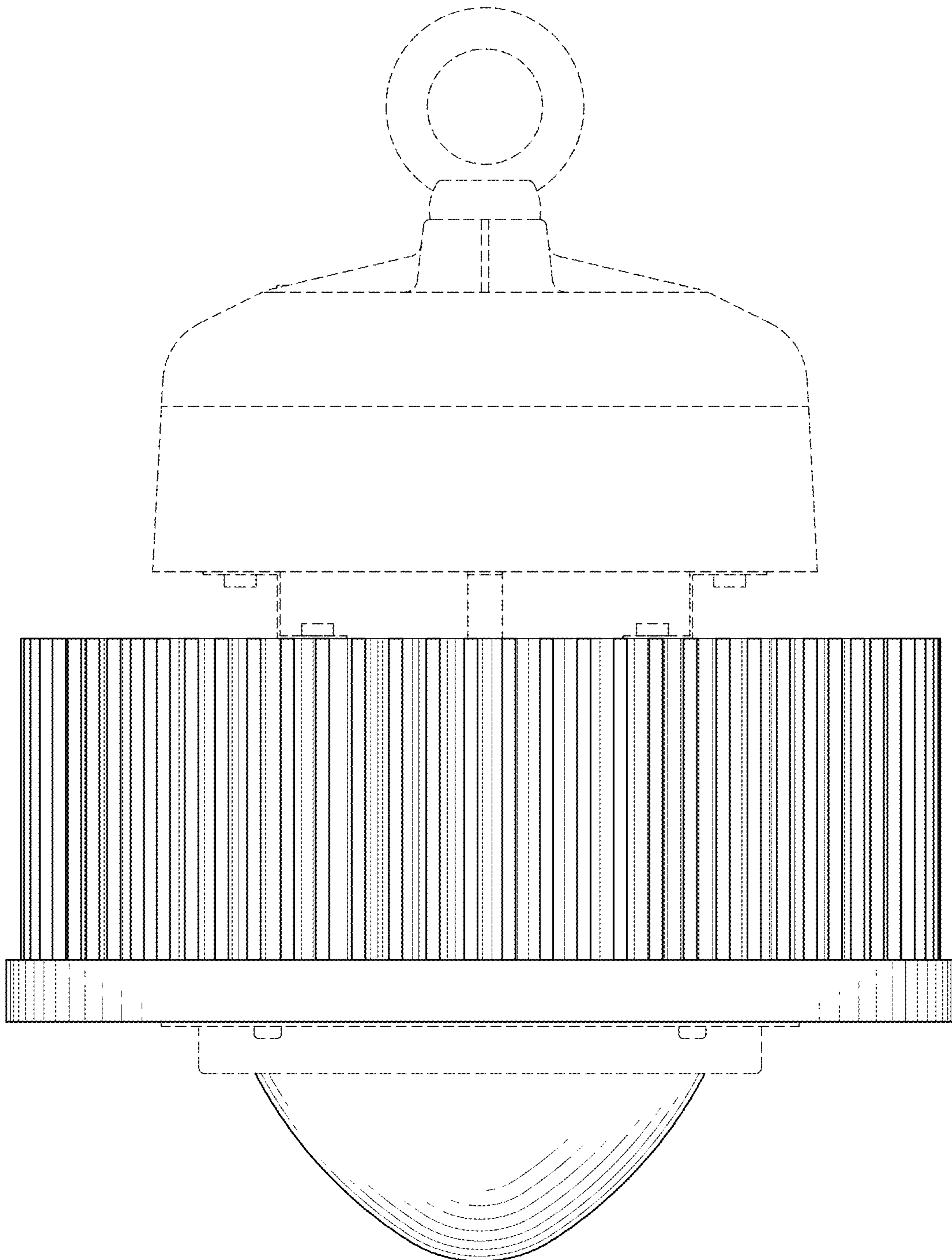


FIG. 4

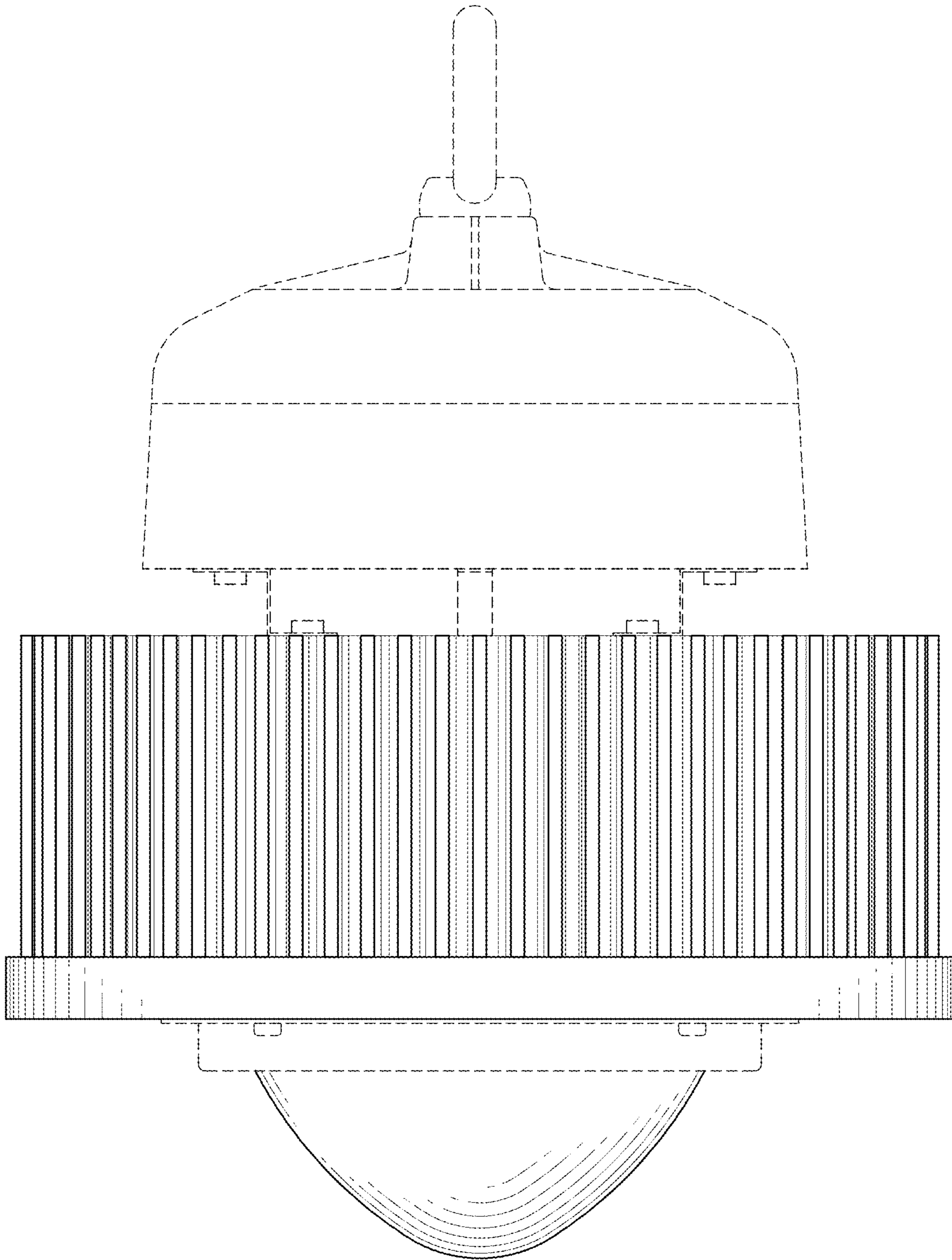


FIG. 5

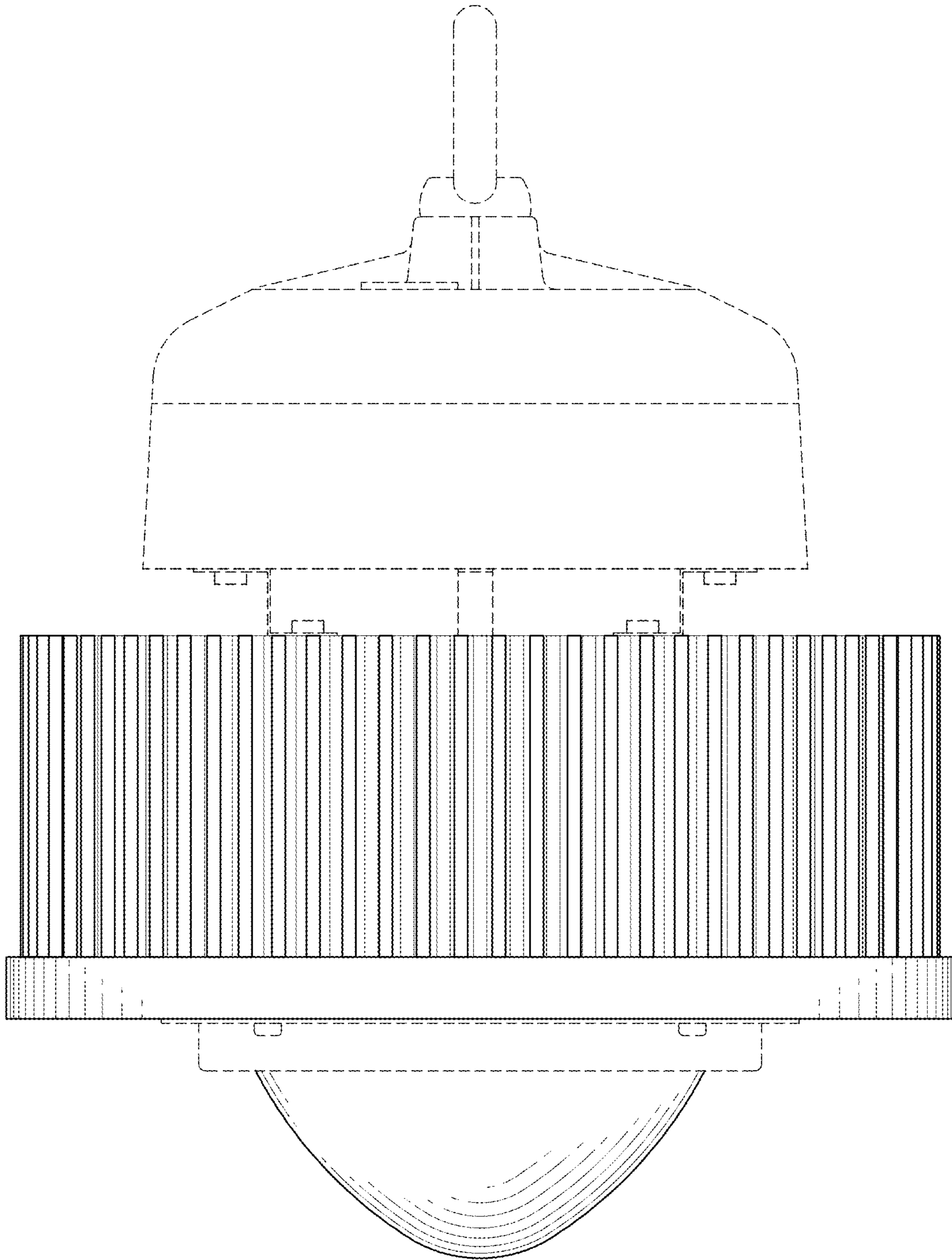


FIG. 6

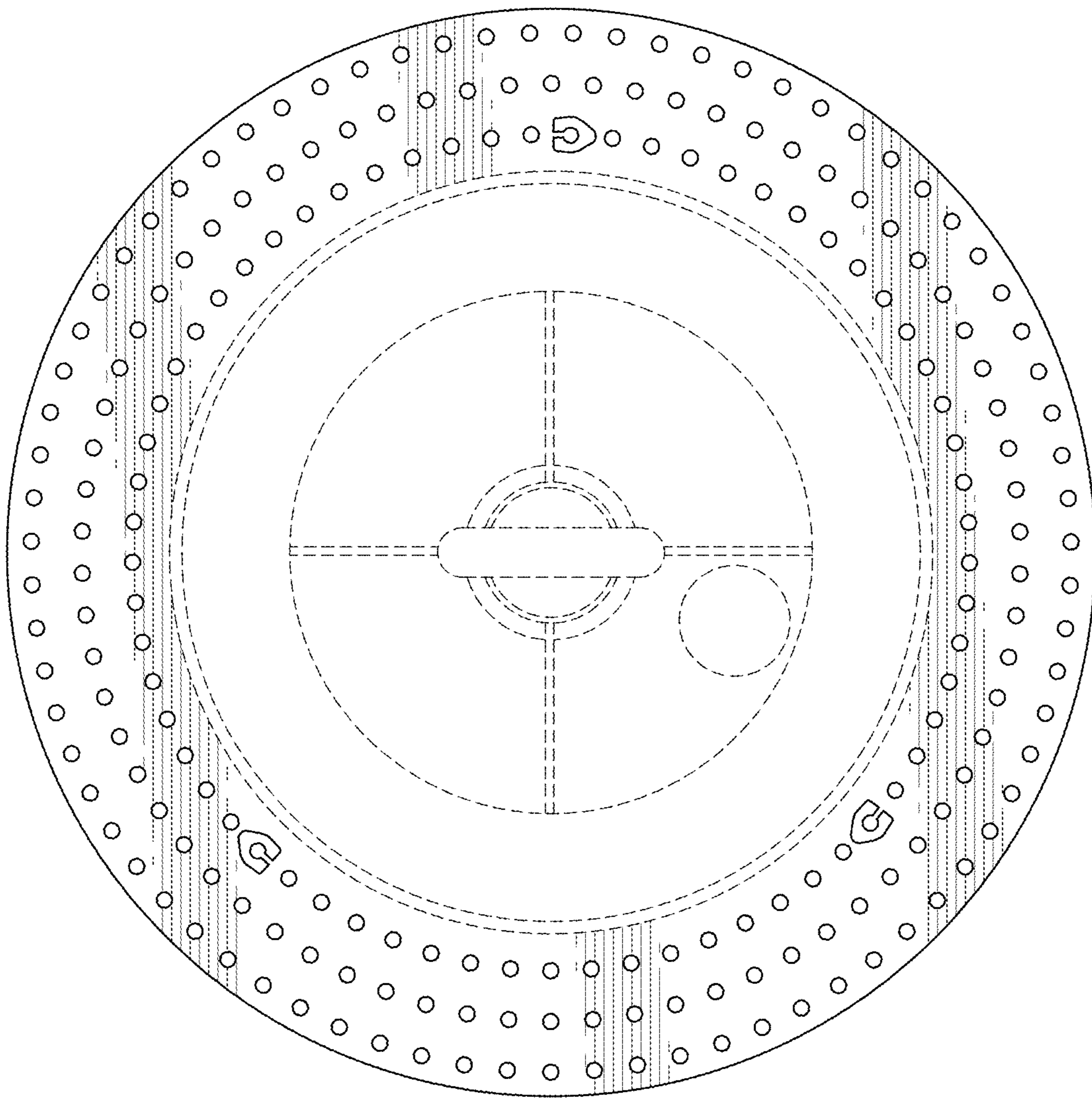




FIG. 7

