



US00D908262S

(12) **United States Design Patent**  
**Dai**

(10) **Patent No.:** **US D908,262 S**

(45) **Date of Patent:** **\*\* Jan. 19, 2021**

- (54) **GARDEN LAMP**
- (71) Applicant: **Ningbo Weitao Electrical Appliance Co., Ltd., Zhejiang (CN)**
- (72) Inventor: **Jiangang Dai, Zhejiang (CN)**
- (73) Assignee: **Ningbo Weitao Electrical Appliance Co., Ltd., Ningbo (CN)**

D869,038 S *	12/2019	Recker	.....	D26/63
D869,721 S *	12/2019	Recker	.....	D26/63
D878,656 S *	3/2020	Recker	.....	D26/63
D888,310 S *	6/2020	Siminoff	.....	D26/63
D889,720 S *	7/2020	Zhu	.....	D26/63
D889,721 S *	7/2020	Tan	.....	D26/63
D892,379 S *	8/2020	Recker	.....	D26/63
D894,461 S *	8/2020	Recker	.....	D26/63
D894,462 S *	8/2020	Recker	.....	D26/63
D896,424 S *	9/2020	Wang	.....	D26/63

\* cited by examiner

(\*\*) Term: **15 Years**

*Primary Examiner* — Brian N. Vinson

(21) Appl. No.: **29/718,969**

(57) **CLAIM**

(22) Filed: **Dec. 30, 2019**

The ornamental design for a garden lamp, as shown and described.

(51) **LOC (13) Cl.** ..... **26-03**

**DESCRIPTION**

(52) **U.S. Cl.**  
USPC ..... **D26/63**

(58) **Field of Classification Search**  
USPC ..... D26/24, 51, 61, 63, 65, 72, 80  
CPC .... F21S 8/04; F21S 8/00; F21V 21/00; F21V  
17/02; F21V 14/02; F21V 21/30; F21V  
21/14; F21V 21/26; F21W 2131/10  
See application file for complete search history.

FIG. 1 is a top, front and right side perspective view of a garden lamp showing my new design;  
FIG. 2 is a bottom, rear and left side perspective view thereof;  
FIG. 3 is a front elevational view thereof;  
FIG. 4 is a rear elevational view thereof;  
FIG. 5 is a left side view thereof;  
FIG. 6 is a right side view thereof;  
FIG. 7 is a top plan view thereof; and,  
FIG. 8 is a bottom plan view thereof.

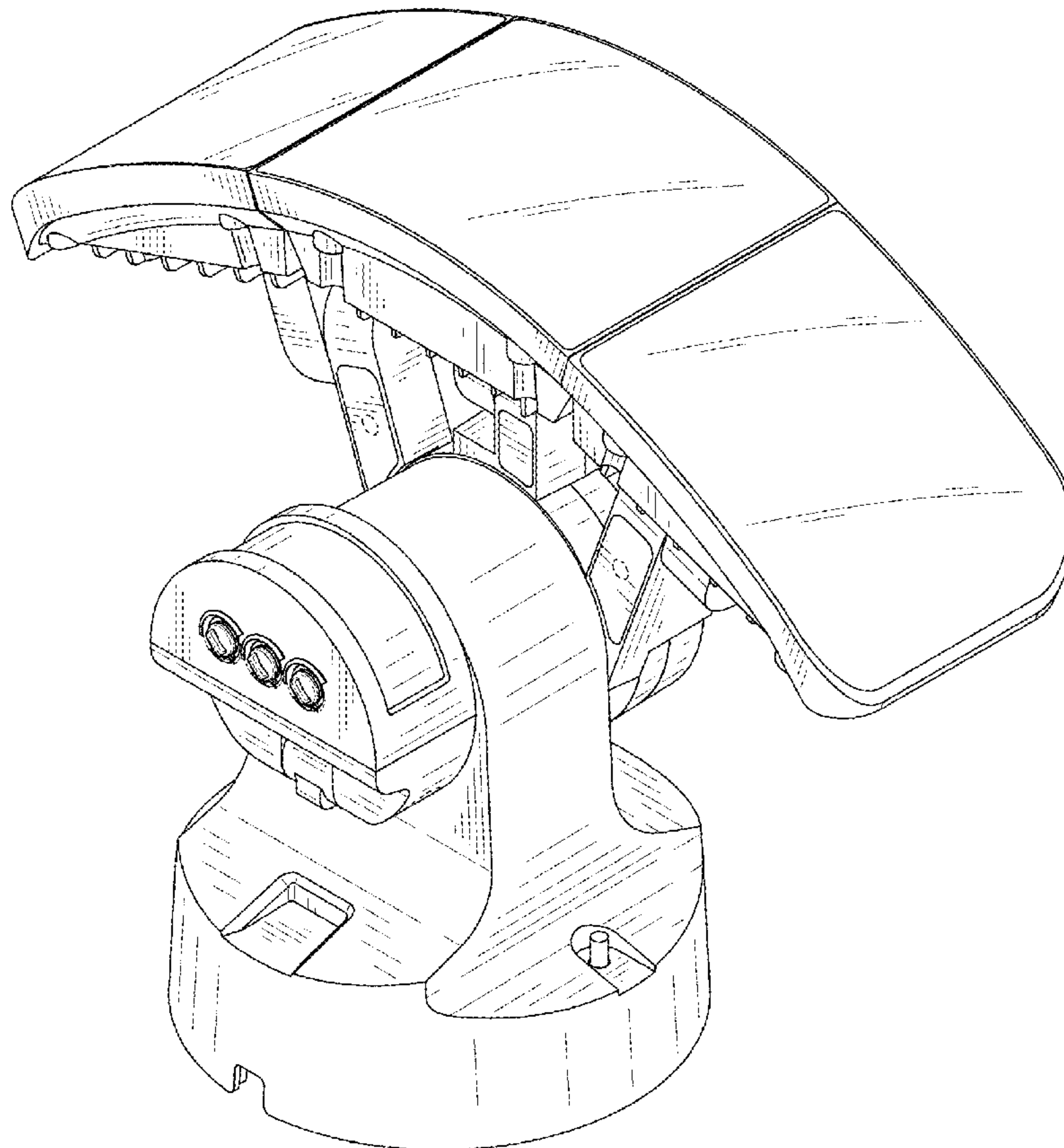
(56) **References Cited**

U.S. PATENT DOCUMENTS

D392,065 S *	3/1998	Morrow	.....	D10/106.1
D765,901 S *	9/2016	Chen	.....	D26/63
D866,035 S *	11/2019	Tan	.....	D26/63

The broken lines in the drawings illustrate portions of the garden lamp which form no part of the claimed design.

**1 Claim, 8 Drawing Sheets**



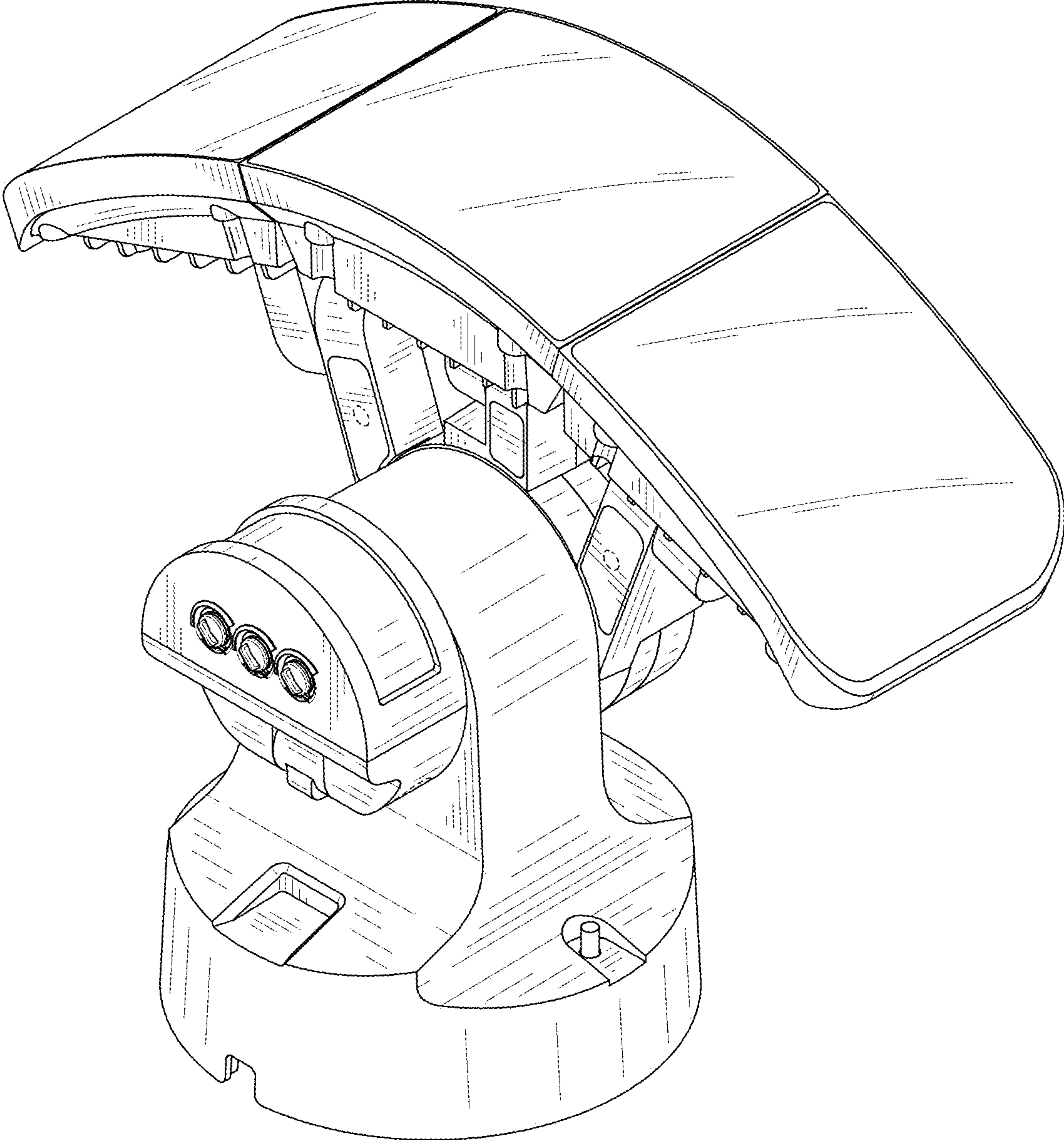


FIG. 1



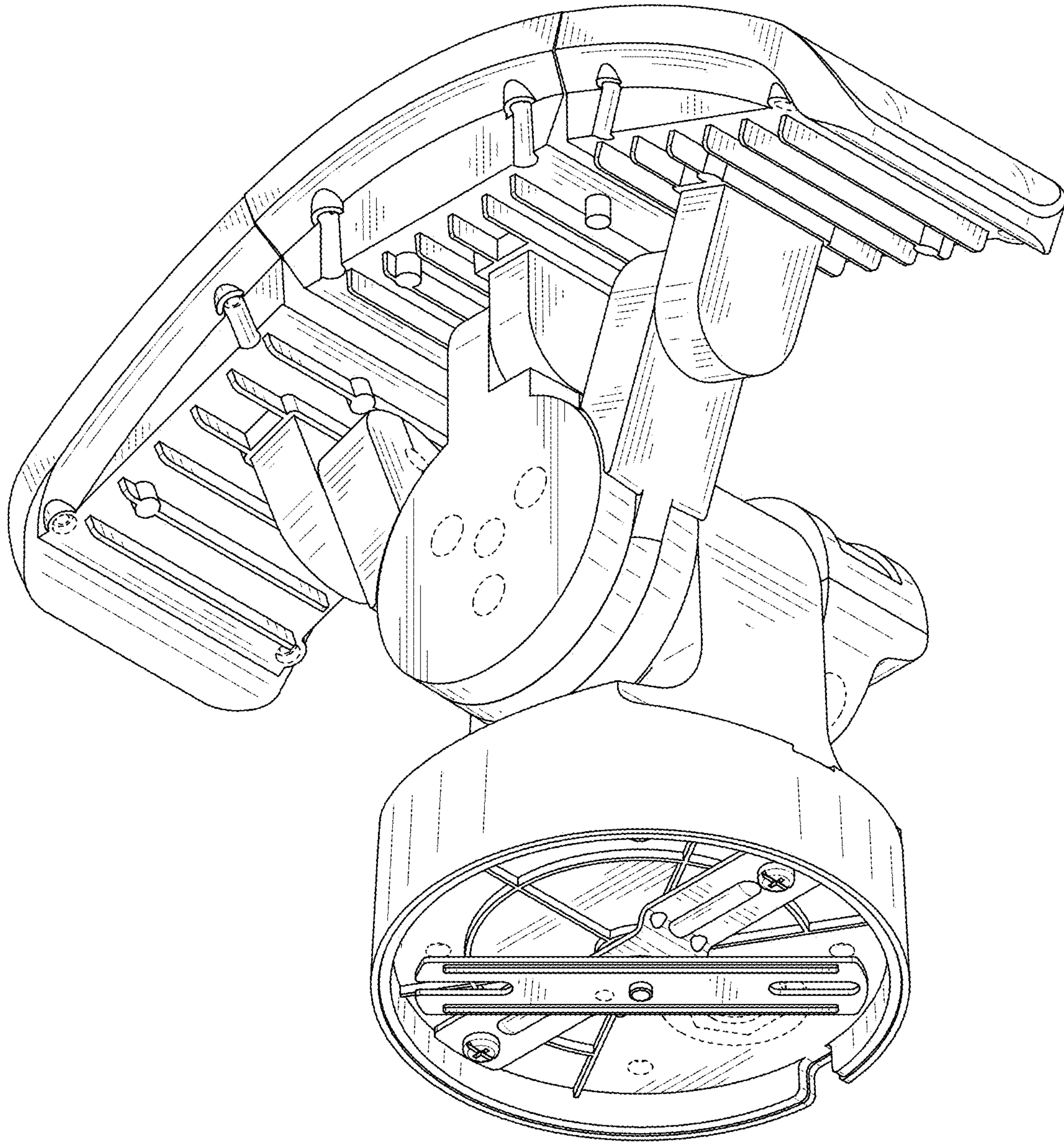


FIG. 2

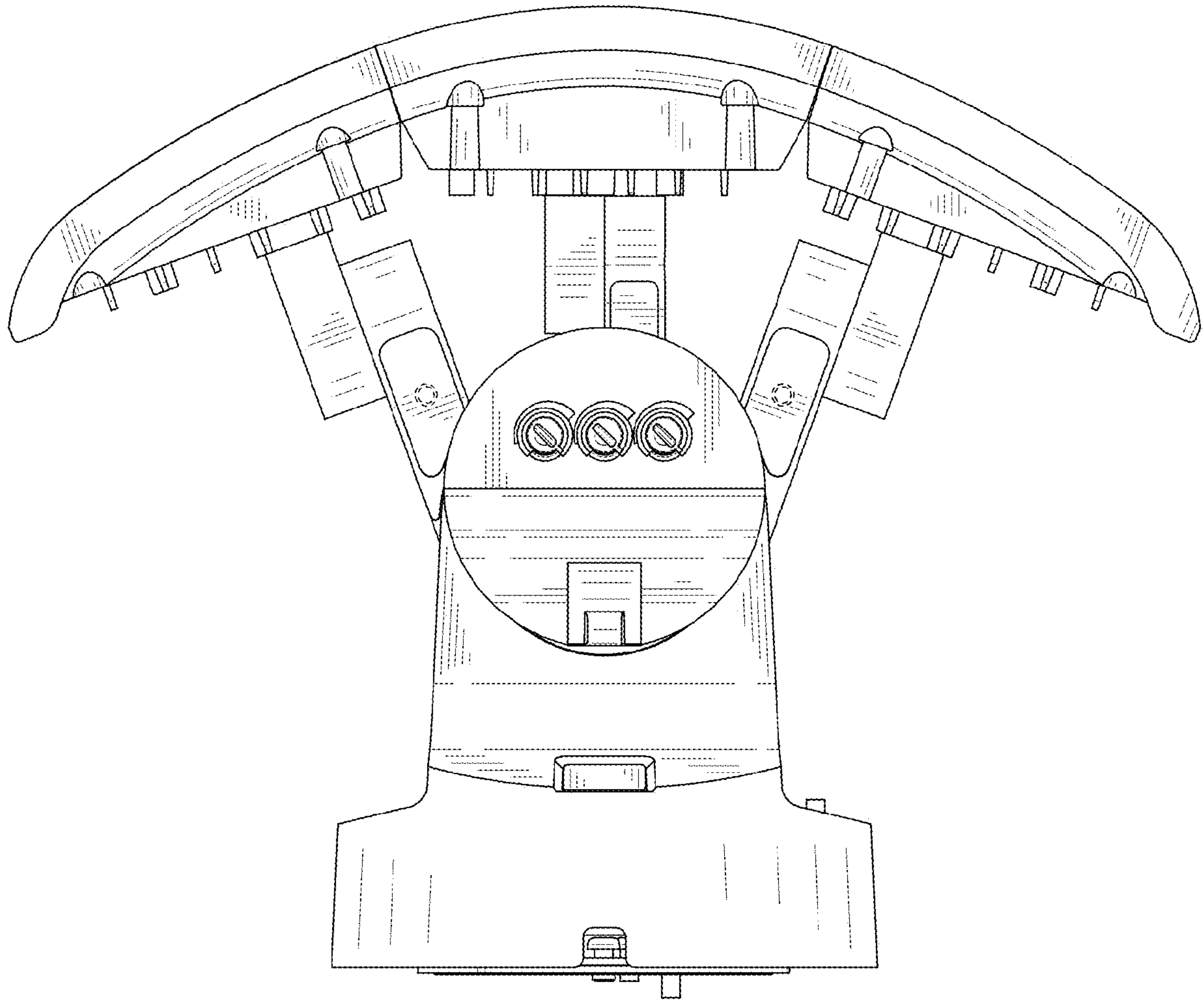


FIG. 3

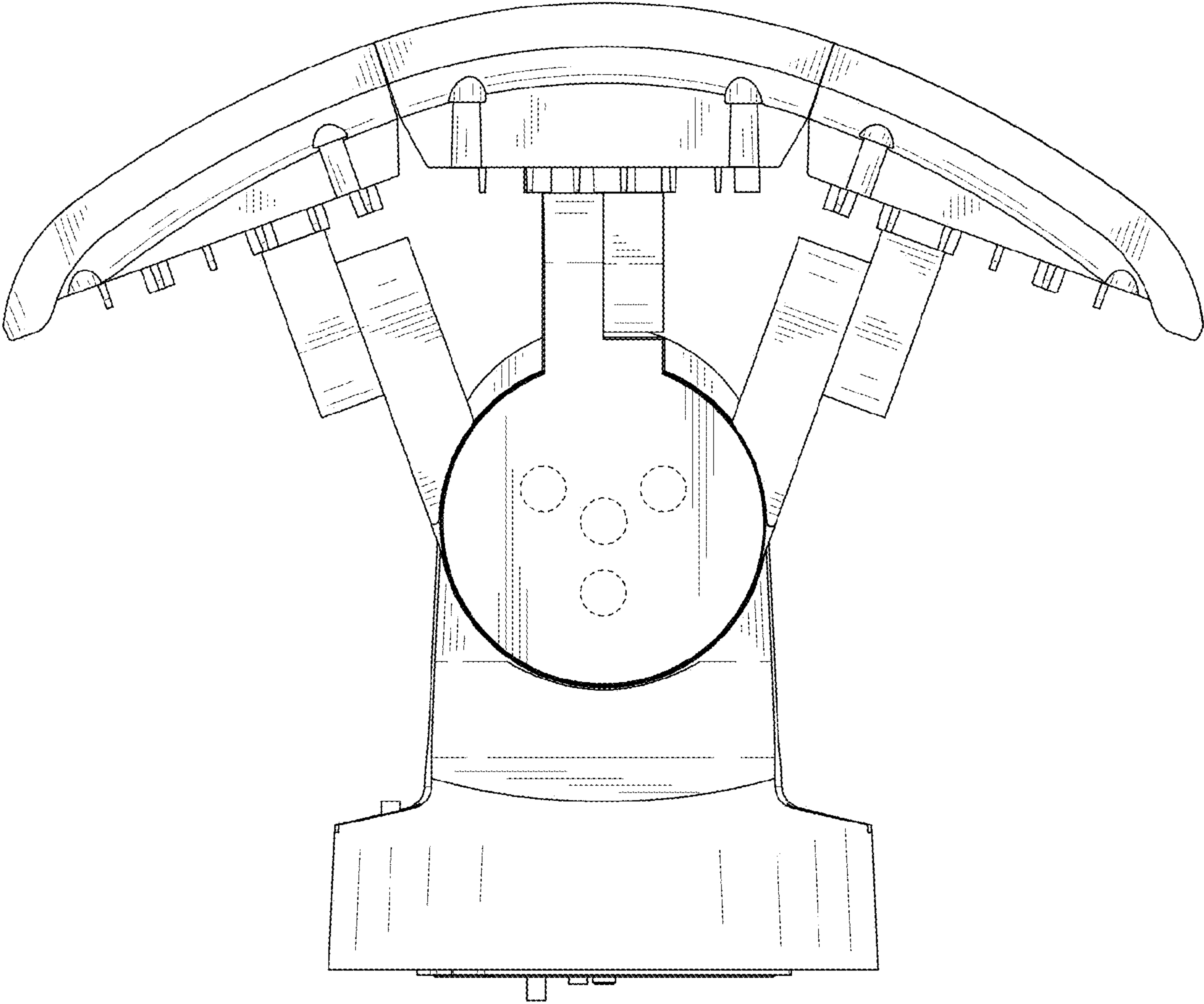


FIG. 4

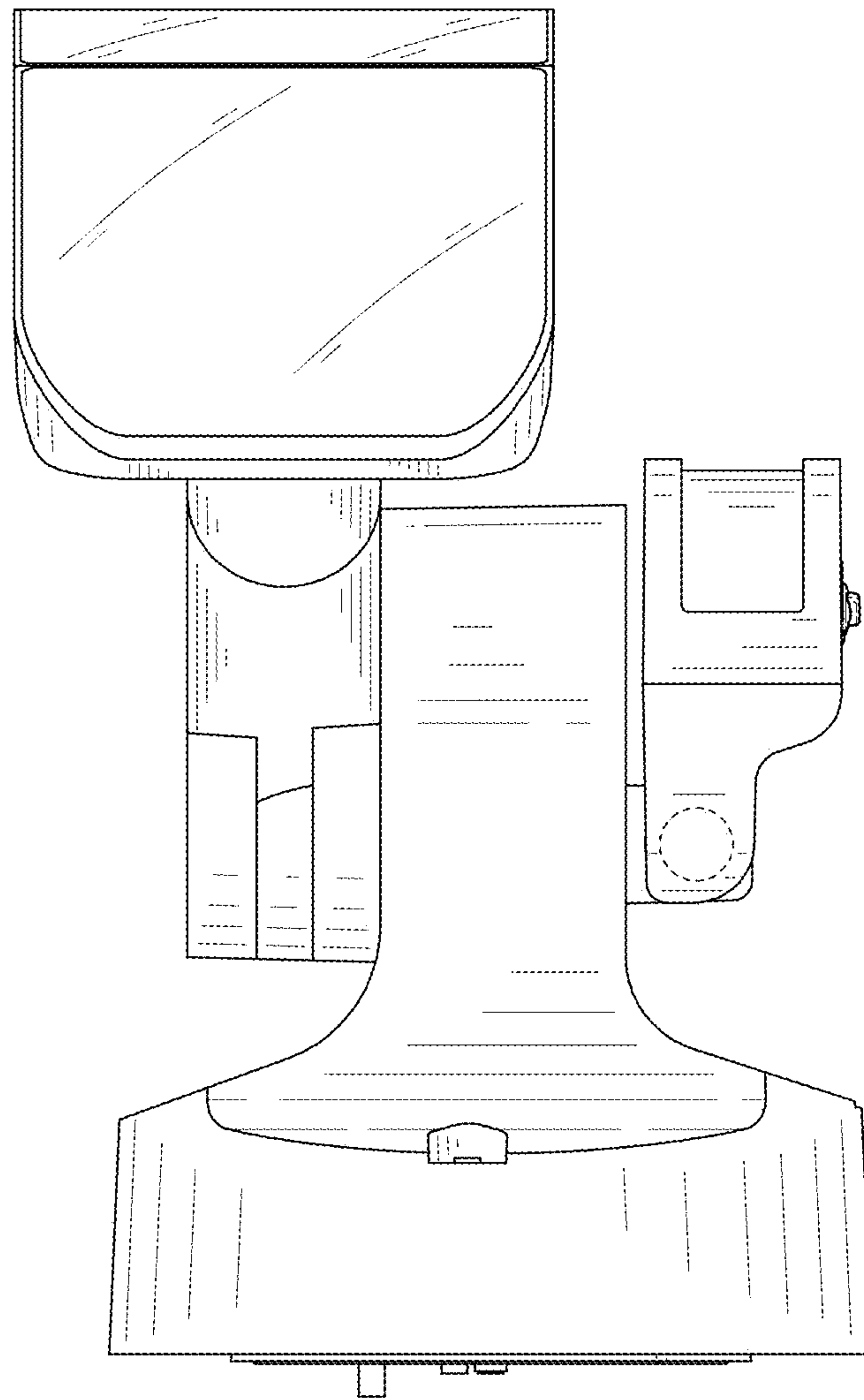


FIG. 5

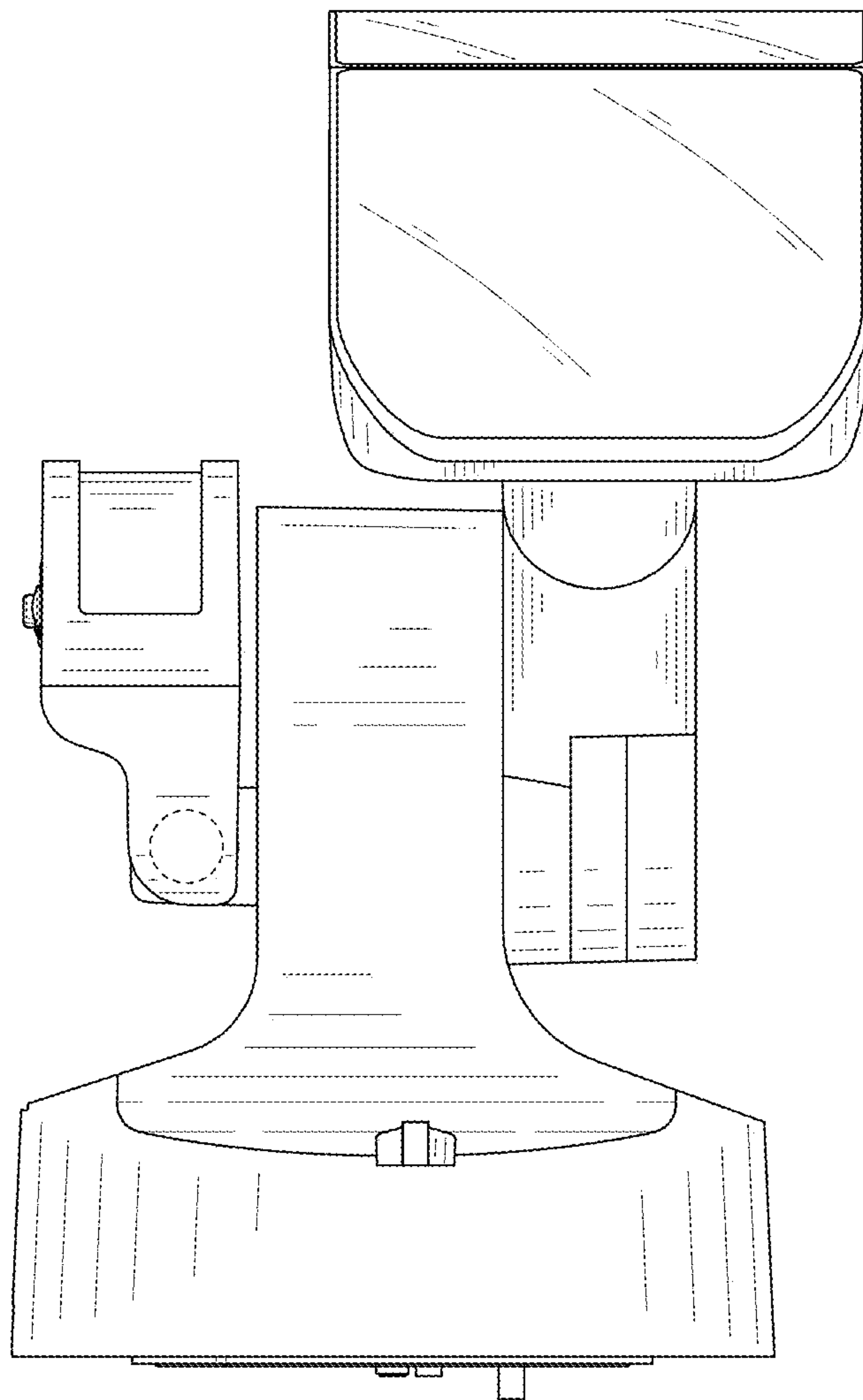


FIG. 6

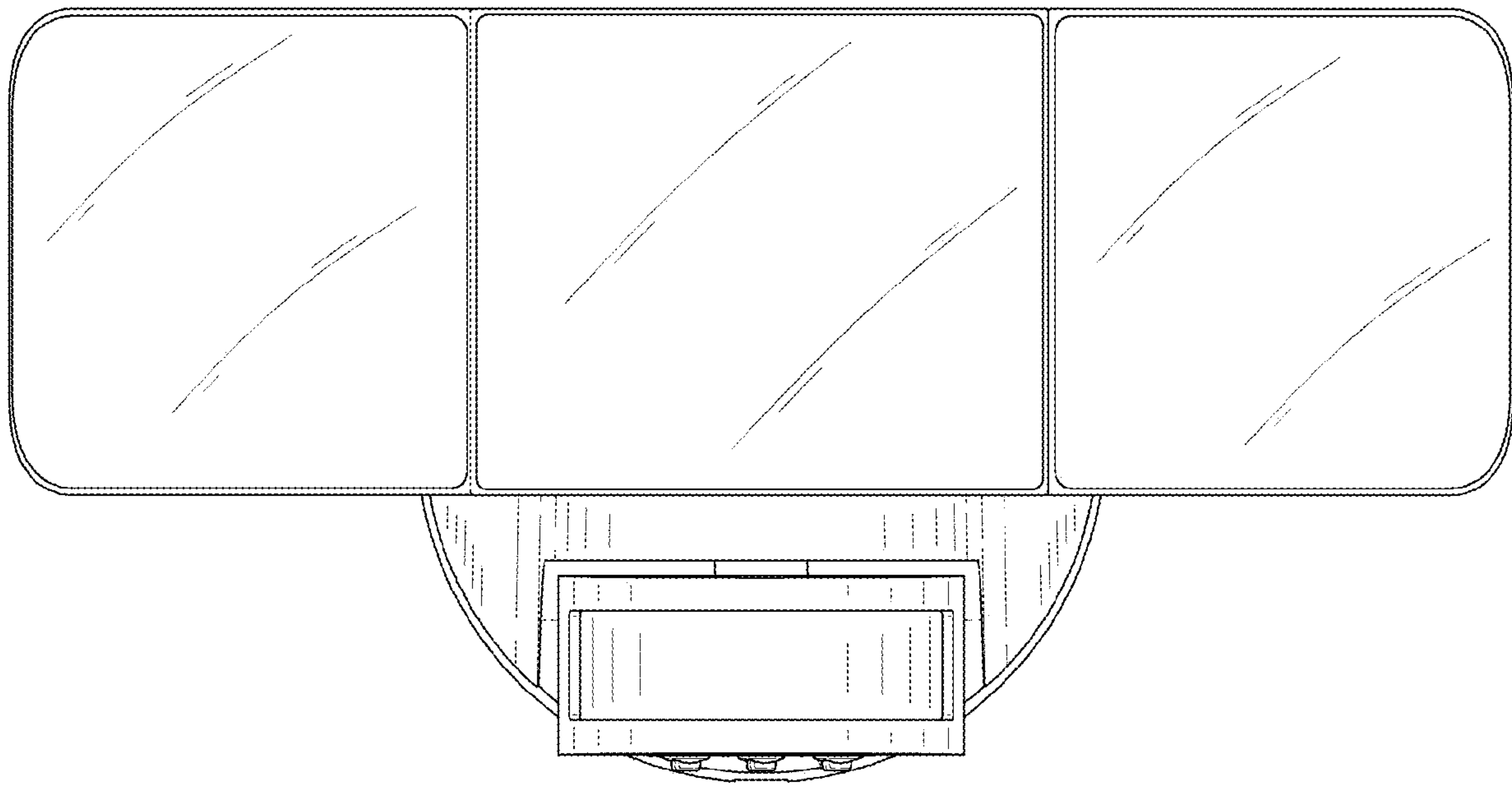


FIG. 7



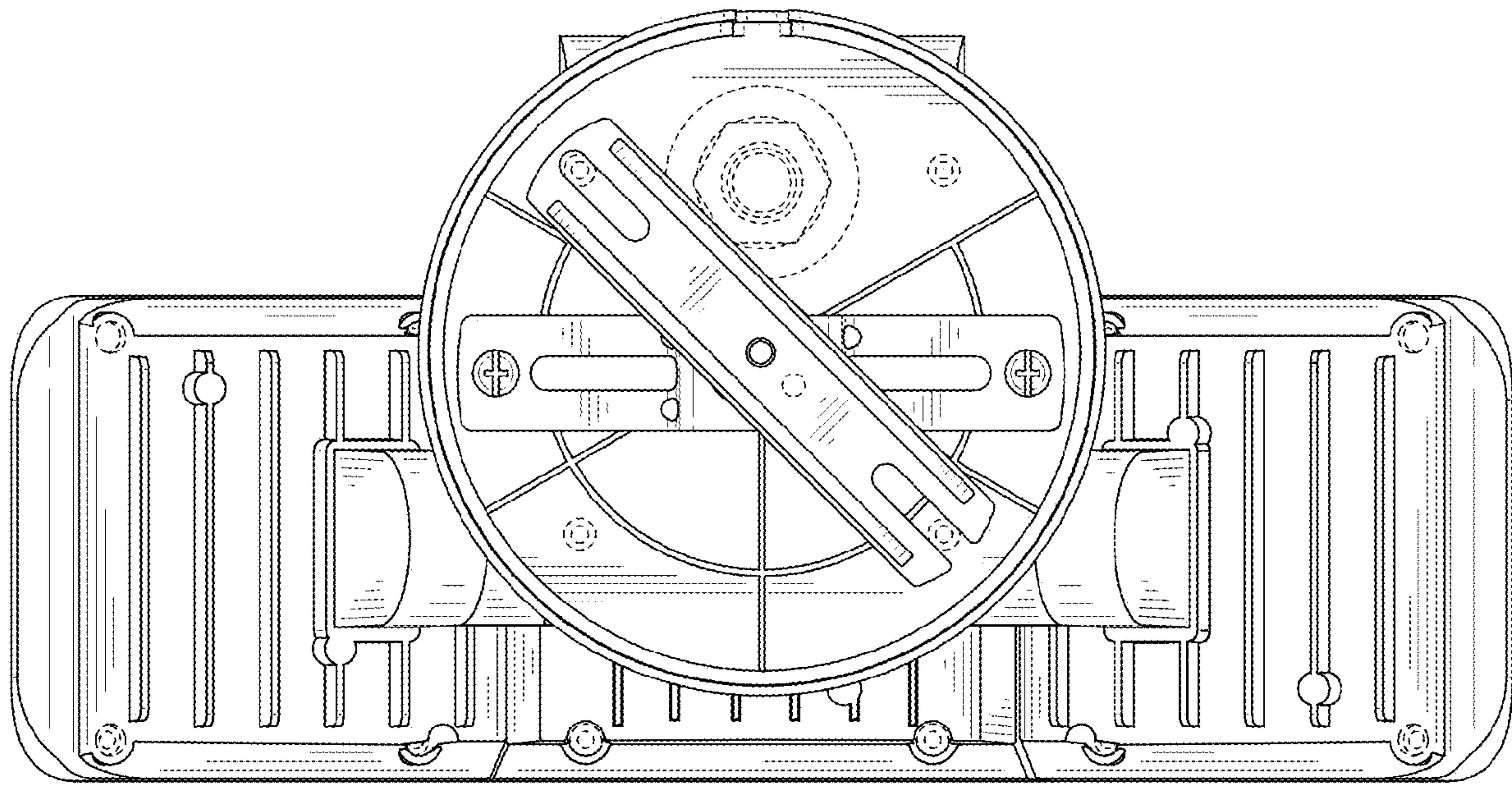


FIG. 8