



US00D908260S

(12) **United States Design Patent** (10) **Patent No.:** **US D908,260 S**
Jeong et al. (45) **Date of Patent:** **** *Jan. 19, 2021**

(54) **HEAD LAMP FOR AN AUTOMOBILE**

(56) **References Cited**

(71) Applicants: **Hyundai Motor Company**, Seoul (KR); **Kia Motors Corporation**, Seoul (KR)

U.S. PATENT DOCUMENTS

(72) Inventors: **Da Young Jeong**, Seongnam-si (KR); **Jaе Min Choi**, Cheongju-si (KR); **Jun Ho Kim**, Uiwang-si (KR); **Yu Ra Cha**, Seoul (KR)

D173,677 S *	12/1954	Reid	D26/35
D750,817 S *	3/2016	Lin	D26/28
D761,462 S *	7/2016	Lai	D26/28
D771,294 S *	11/2016	Tsai	D26/28
D771,852 S *	11/2016	Tsai	D26/28
D782,711 S *	3/2017	Dunshee	D26/28
D792,618 S *	7/2017	Wu	D26/28
D792,619 S *	7/2017	Wu	D26/28
D800,931 S *	10/2017	Lai	D26/28
D807,543 S *	1/2018	Lin	D26/28
D807,547 S *	1/2018	Lin	D26/28
D823,497 S *	7/2018	Kim	D26/28
D825,368 S *	8/2018	Kuo	D10/114.1
D827,884 S *	9/2018	Hannemann	D26/28
D835,311 S *	12/2018	Thomas	D26/28
D843,621 S *	3/2019	Yang	D26/28
D844,199 S *	3/2019	Lin	D26/28
D850,677 S *	6/2019	Lin	D26/28
D851,302 S *	6/2019	Lin	D26/28
D855,849 S *	8/2019	Lin	D26/28
D866,822 S *	11/2019	He	D26/28
D868,323 S *	11/2019	Kim	D26/28

(73) Assignees: **Hyundai Motor Company**, Seoul (KR); **Kia Motors Corporation**, Seoul (KR)

(*) Notice: This patent is subject to a terminal disclaimer.

(**) Term: **15 Years**

(21) Appl. No.: **35/507,255**

(22) Filed: **Feb. 15, 2019**

(80) **Hague Agreement Data**

Int. Filing Date: **Feb. 15, 2019**
Int. Reg. No.: **DM/201242**
Int. Reg. Date: **Feb. 15, 2019**
Int. Reg. Pub. Date: **Aug. 16, 2019**

(30) **Foreign Application Priority Data**

Oct. 15, 2018 (KR) 30-2018-0047286

(51) **LOC (13) Cl.** **26-06**

(52) **U.S. Cl.**
USPC **D26/28**

(58) **Field of Classification Search**
USPC D12/196; D26/28, 34, 35, 36
CPC .. F21S 41/00; F21S 41/20; F21S 41/30; F21S 43/14; F21S 43/15; F21S 43/20
See application file for complete search history.

(Continued)

Primary Examiner — Robert M. Spear

(74) *Attorney, Agent, or Firm* — Mintz Levin Cohn Ferris Glosky and Popeo, P.C.; Peter F. Corless

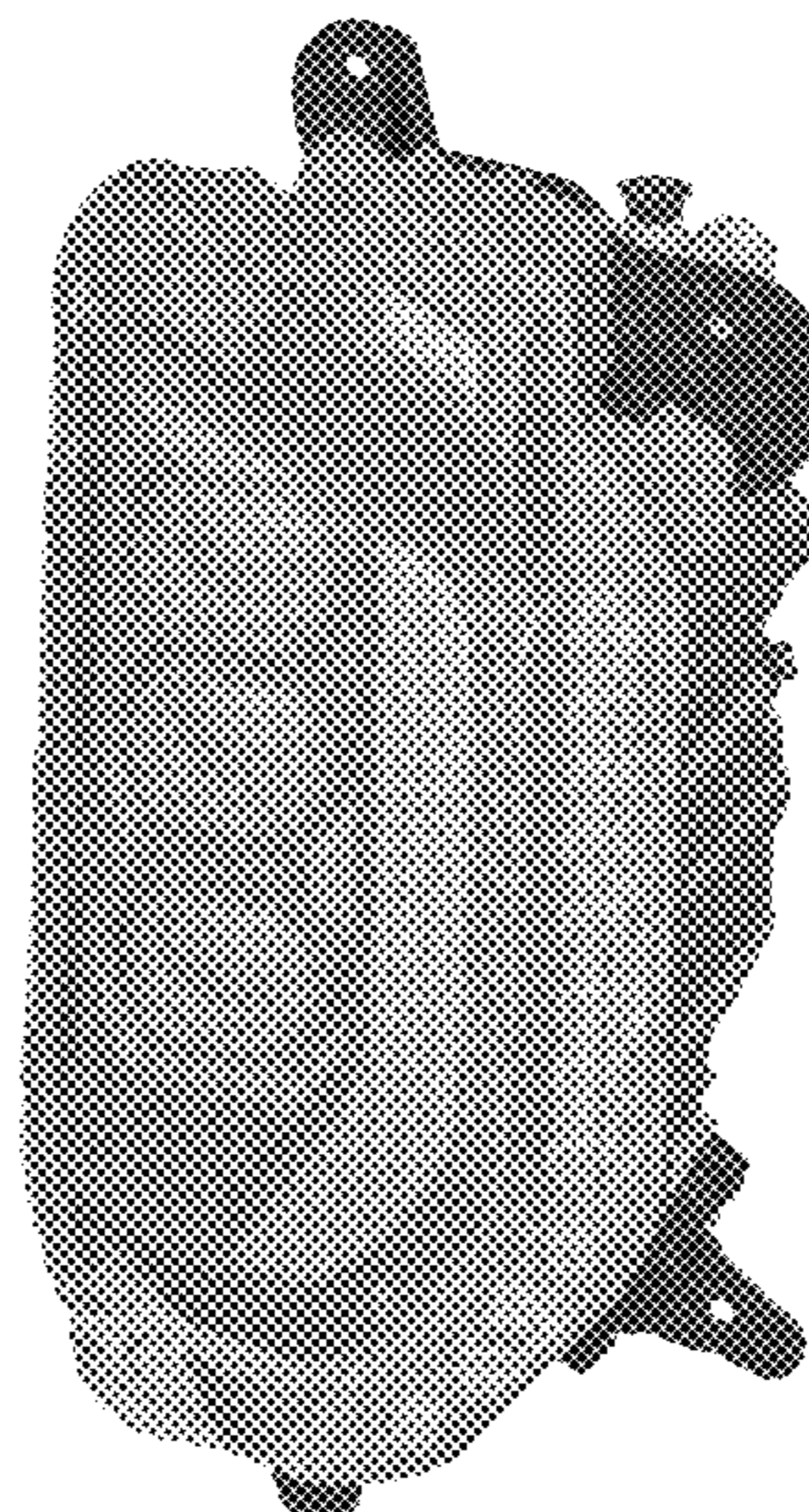
(57) **CLAIM**

The ornamental design for head lamp for an automobile, as shown and described.

DESCRIPTION

- 1. Head lamp for an automobile
- 1.1 : Perspective
- 1.2 : Front
- 1.3 : Back
- 1.4 : Left
- 1.5 : Right
- 1.6 : Top
- 1.7 : Bottom

1 Claim, 7 Drawing Sheets



(56)

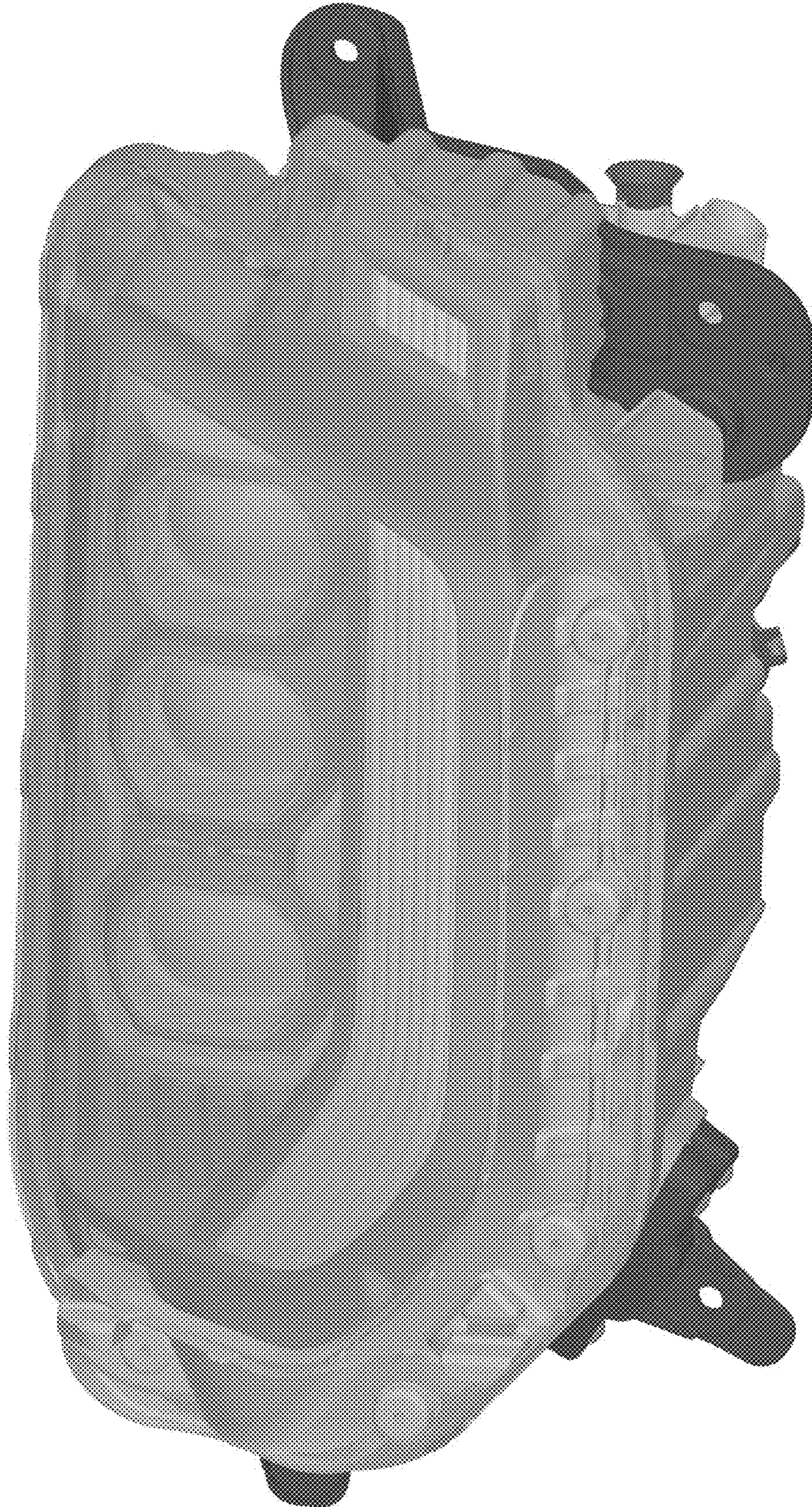
References Cited

U.S. PATENT DOCUMENTS

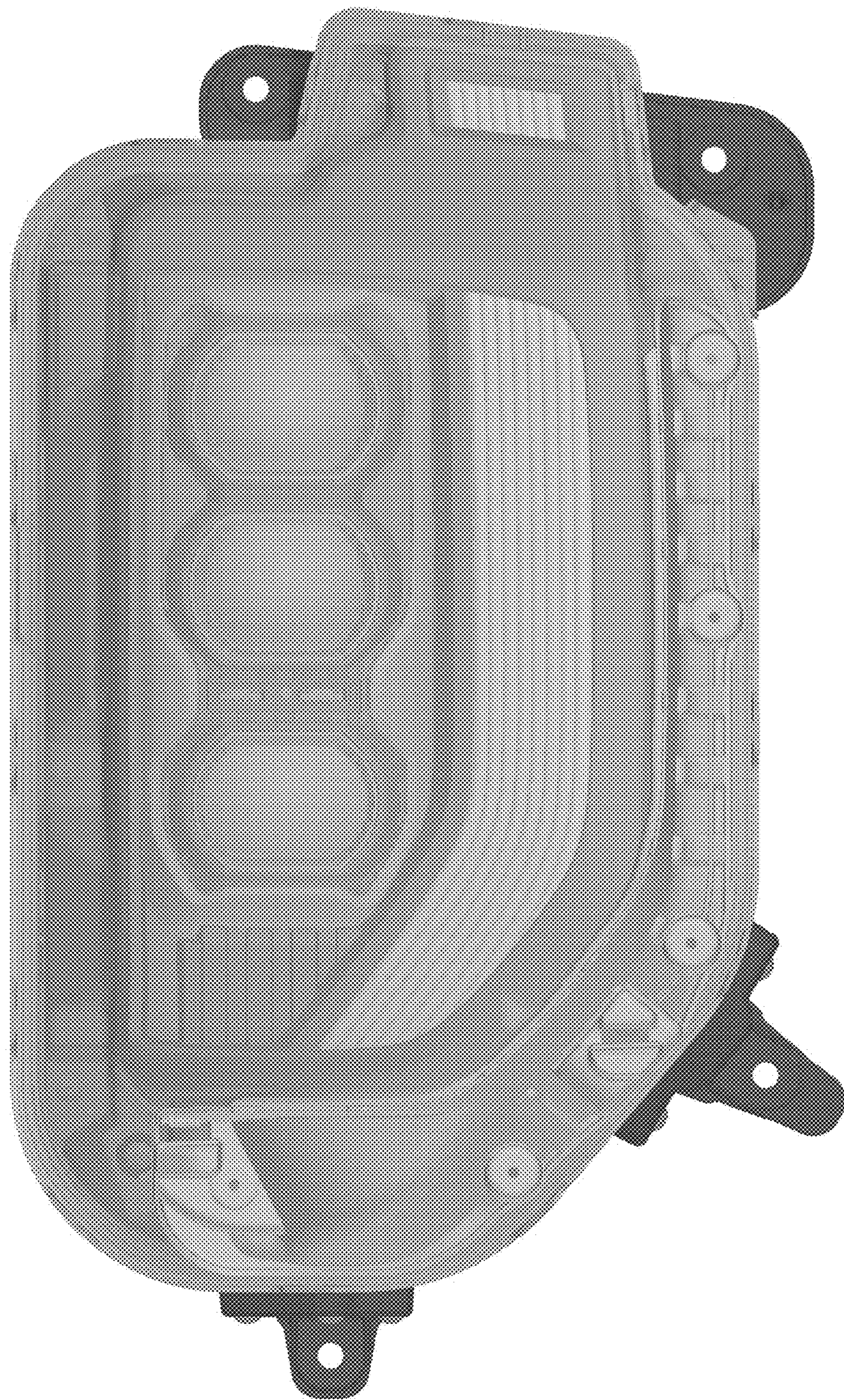
D868,324 S * 11/2019 Kim D26/28
D884,227 S * 5/2020 He D26/28

* cited by examiner

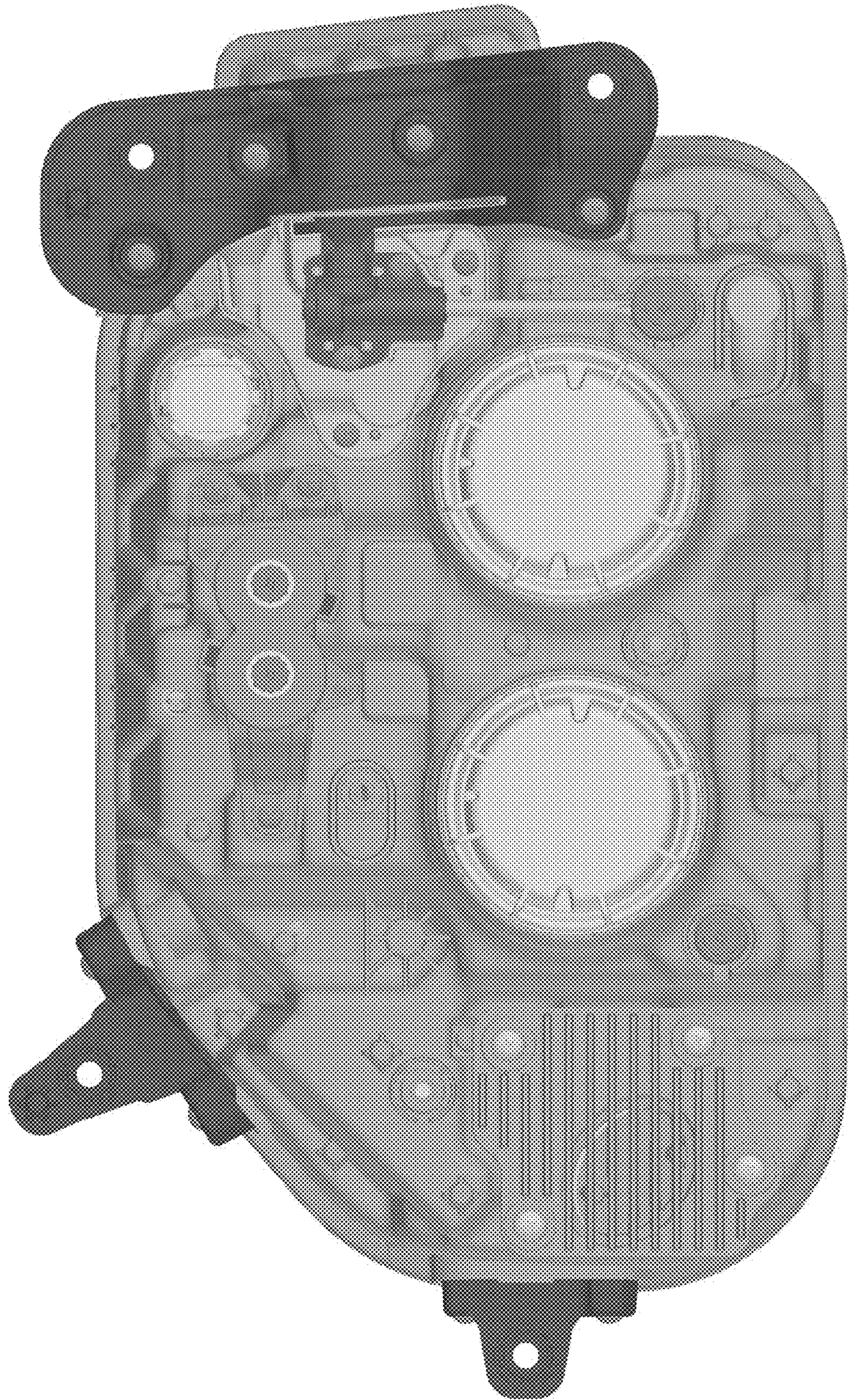
1.1



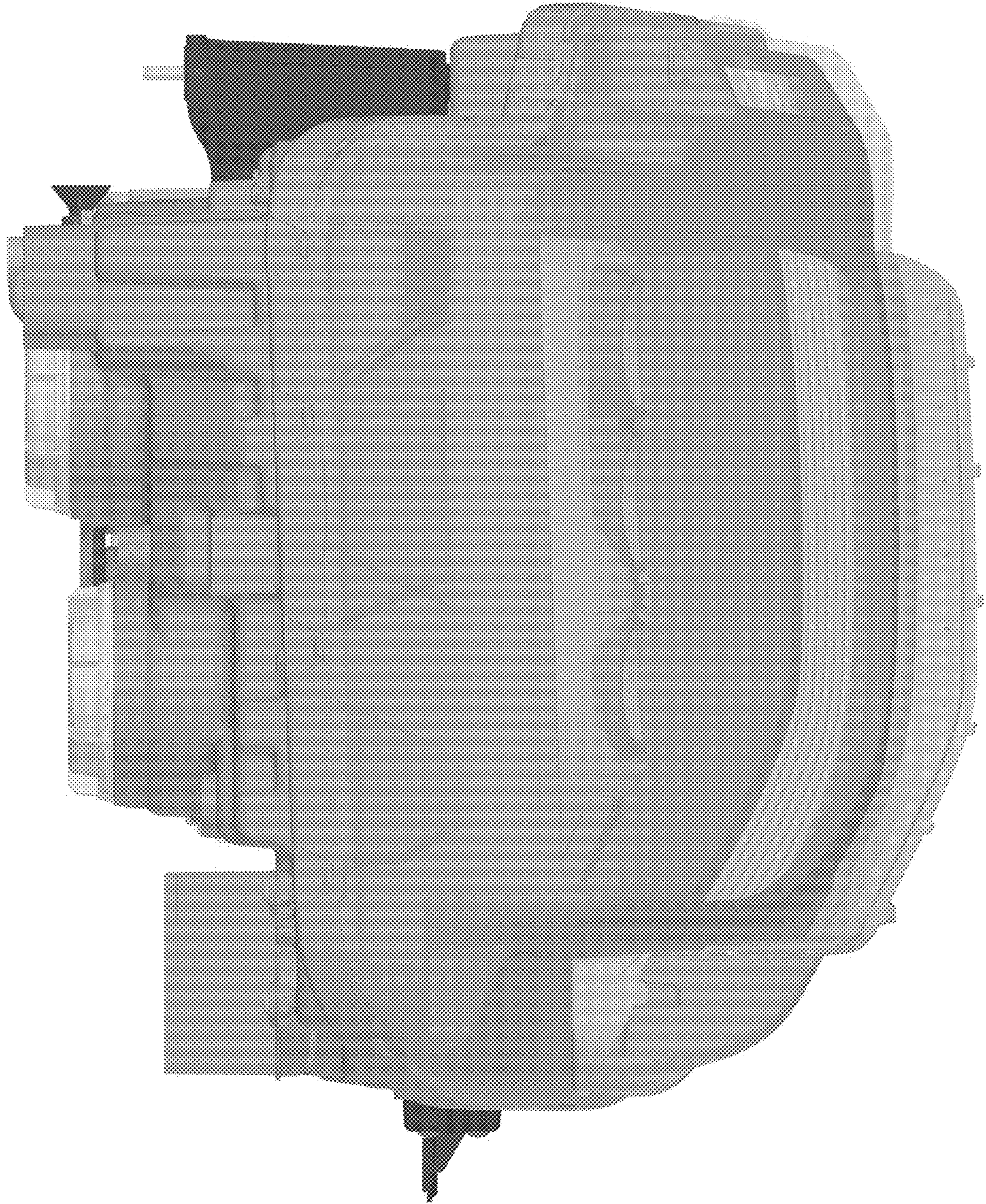
1.2



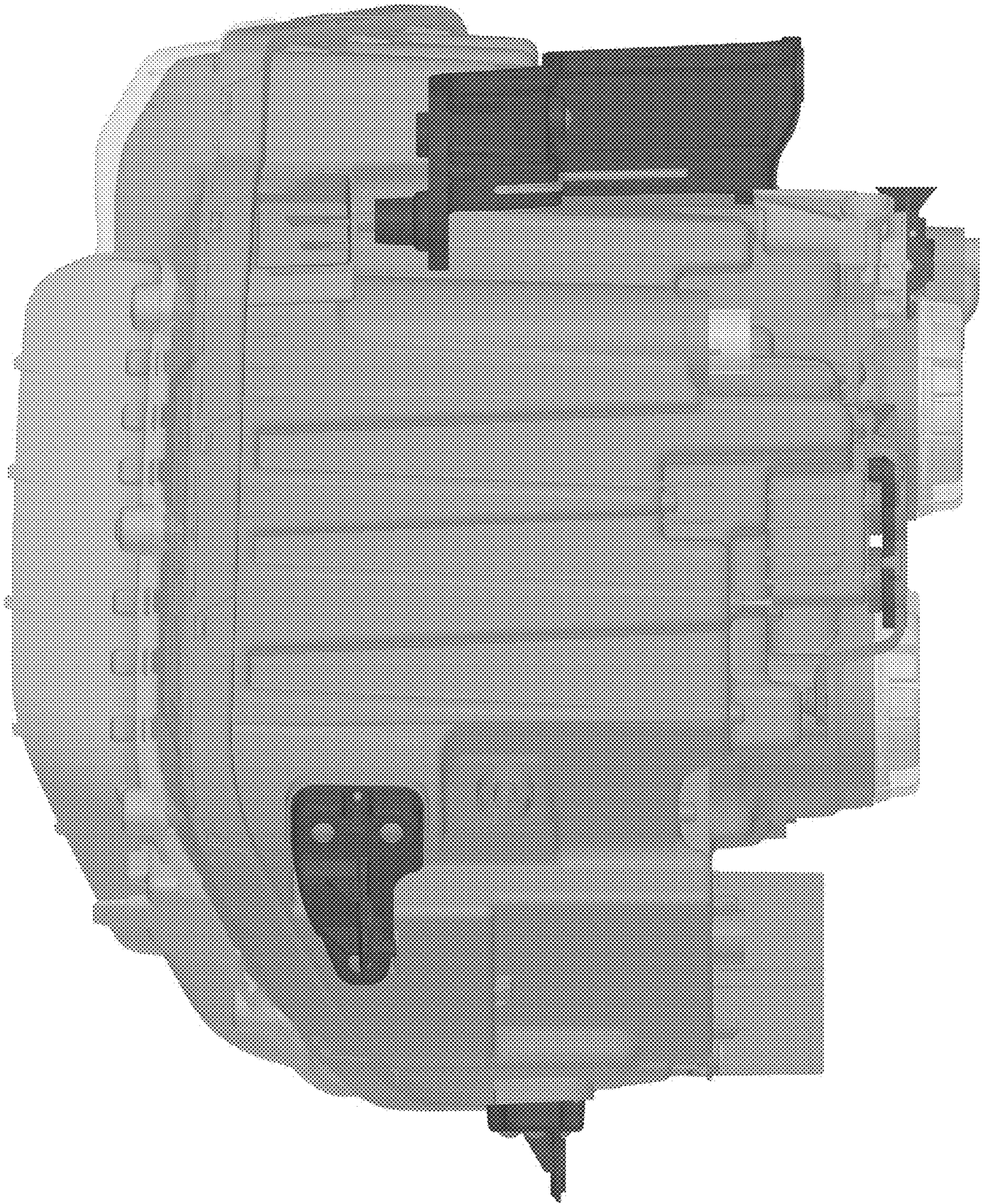
1.3



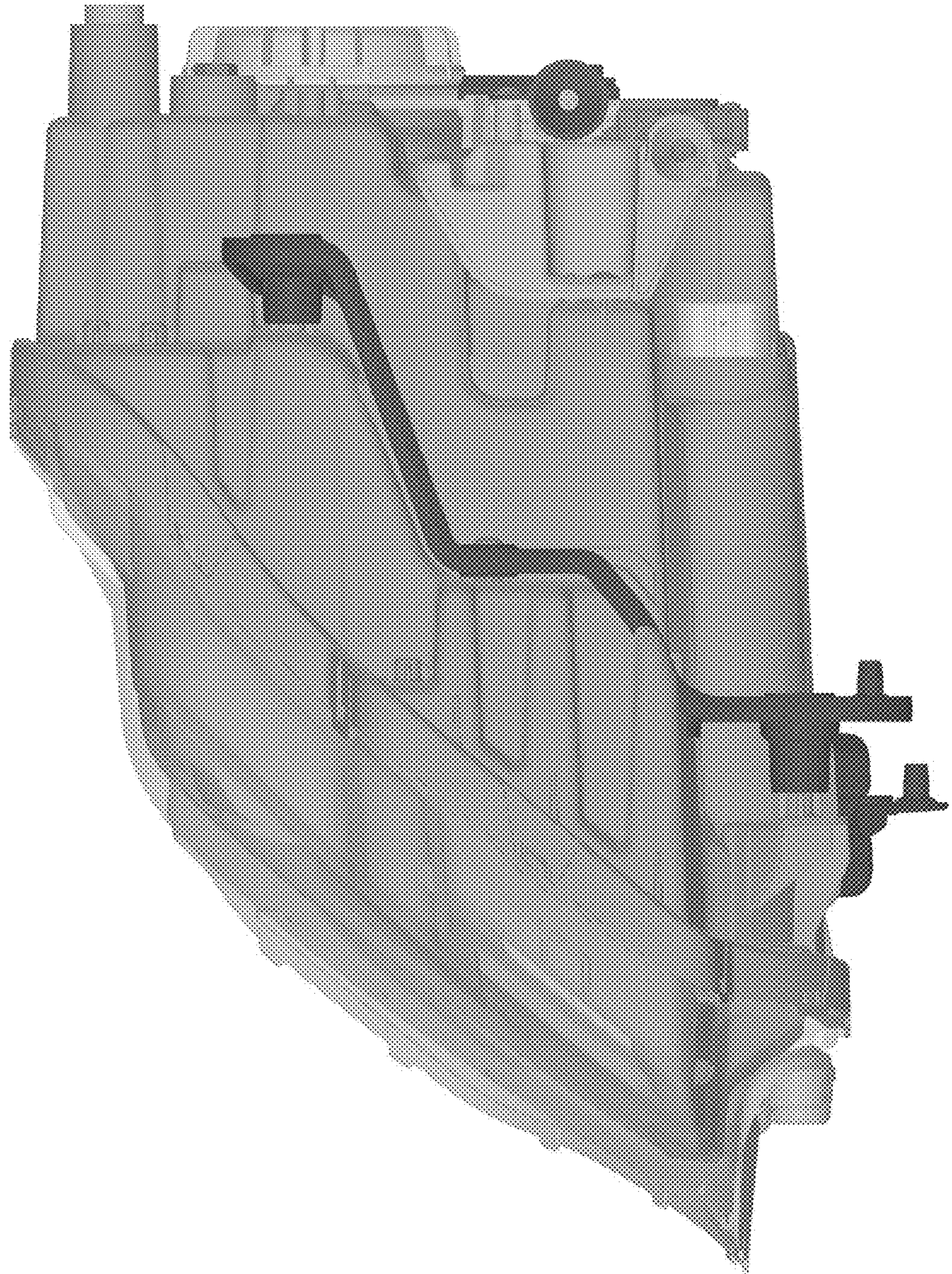
1.4



1.5



1.6



1.7

