



US00D908255S

(12) **United States Design Patent**
Zhou

(10) **Patent No.:** **US D908,255 S**

(45) **Date of Patent:** **** Jan. 19, 2021**

(54) **LED LIGHT**

(71) Applicant: **LINHAI FUNIAO LIGHTING CO., LTD.**, Taizhou (CN)

(72) Inventor: **Zhenbin Zhou**, Taizhou (CN)

(73) Assignee: **LINHAI FUNIAO LIGHTING CO., LTD.**, Taizhou (CN)

(**) Term: **15 Years**

(21) Appl. No.: **29/745,123**

(22) Filed: **Aug. 4, 2020**

(51) **LOC (13) Cl.** **26-03**

(52) **U.S. Cl.**
USPC **D26/25**

(58) **Field of Classification Search**
USPC D26/25
CPC F21W 2121/04; F21S 4/00; F21S 4/002;
F21S 4/003; G09F 13/00
See application file for complete search history.

(56) **References Cited**

U.S. PATENT DOCUMENTS

D477,425 S * 7/2003 Gordon D26/25
D482,806 S * 11/2003 Lofton D26/25

D874,692 S * 2/2020 Dai D26/25
D880,022 S * 3/2020 Gong D26/25
D885,617 S * 5/2020 Li D26/25
D889,696 S * 7/2020 Cao D26/25

* cited by examiner

Primary Examiner — Brian N. Vinson

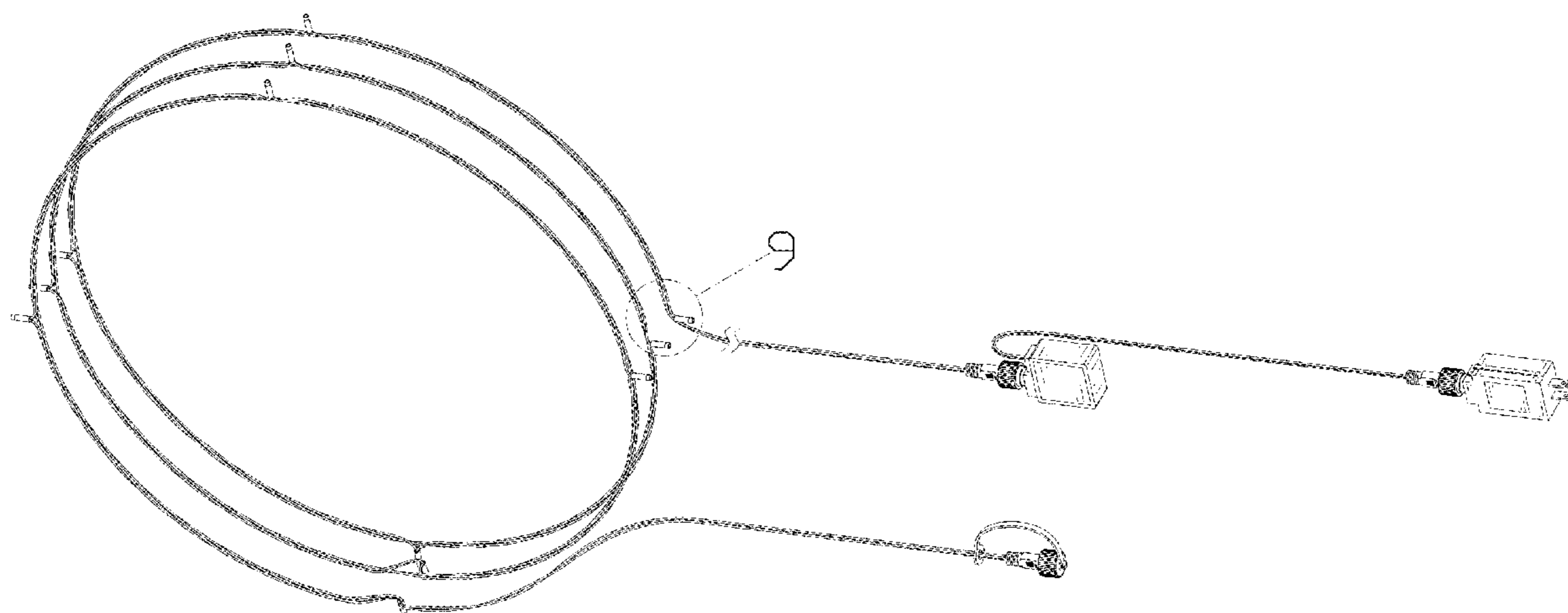
(57) **CLAIM**

The ornamental design for an LED light, as shown and described.

DESCRIPTION

FIG. 1 is a perspective view of an LED light showing my new design;
FIG. 2 is another perspective view thereof;
FIG. 3 is a front elevational view thereof;
FIG. 4 is a rear elevational view thereof;
FIG. 5 is a left side elevational view thereof;
FIG. 6 is a right side elevational view thereof;
FIG. 7 is a top plan view thereof;
FIG. 8 is a bottom plan view thereof; and,
FIG. 9 is an enlarged view of portion 9 shown in FIG. 1.
The LED light is shown with a symbolic break in its length and the appearance of any portion of the LED light between the break lines form no part of the claimed design.

1 Claim, 9 Drawing Sheets



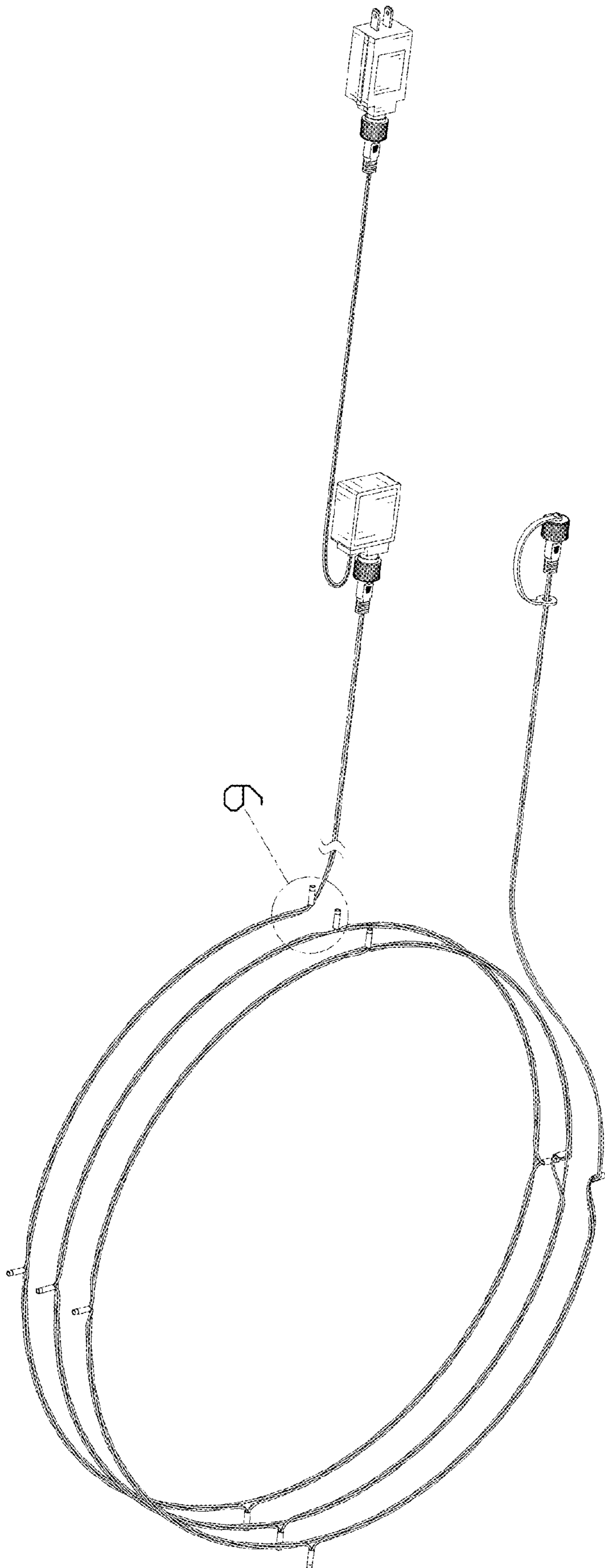


FIG. 1



FIG. 2

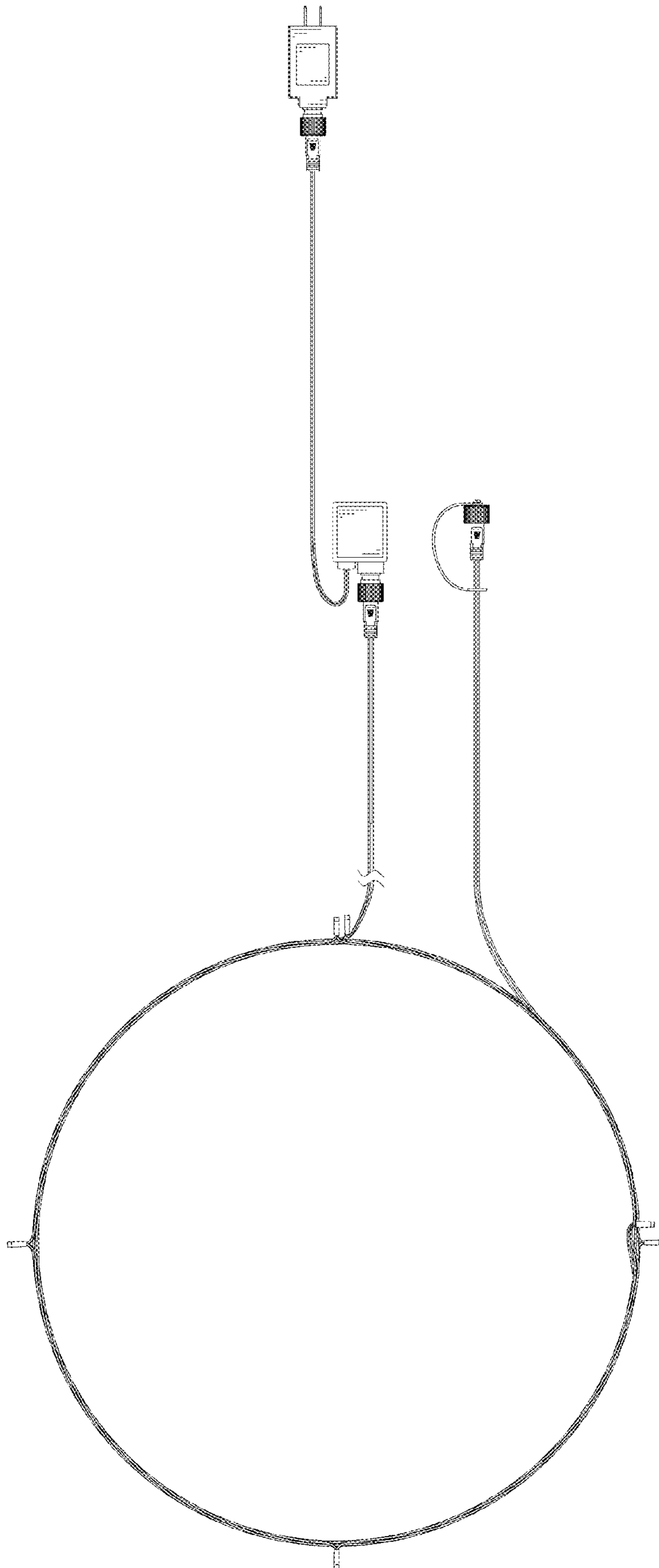


FIG. 3

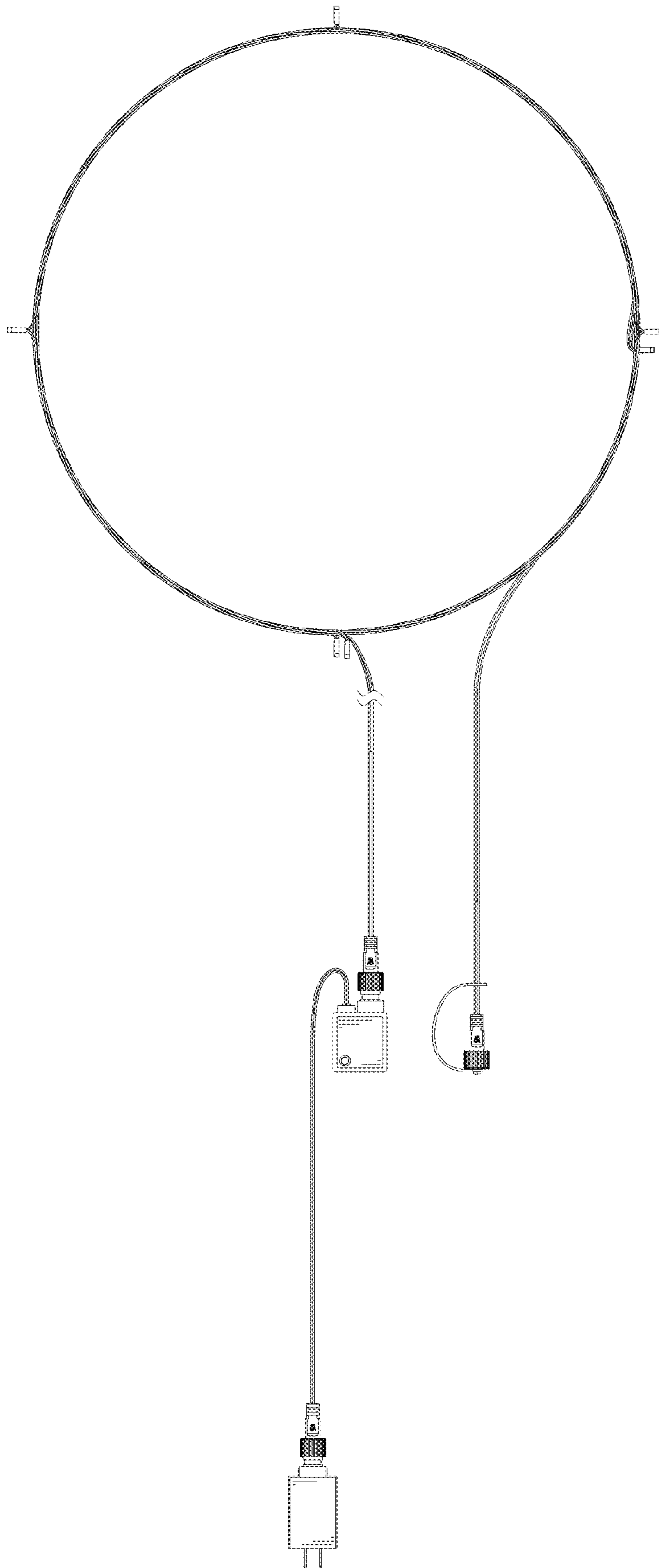


FIG. 4

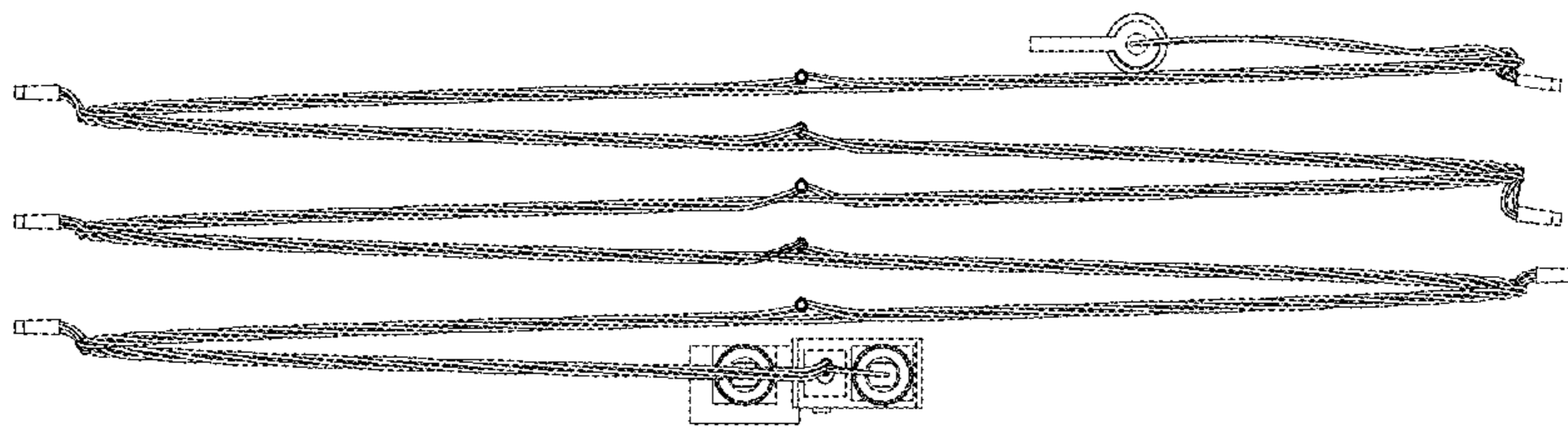


FIG. 5

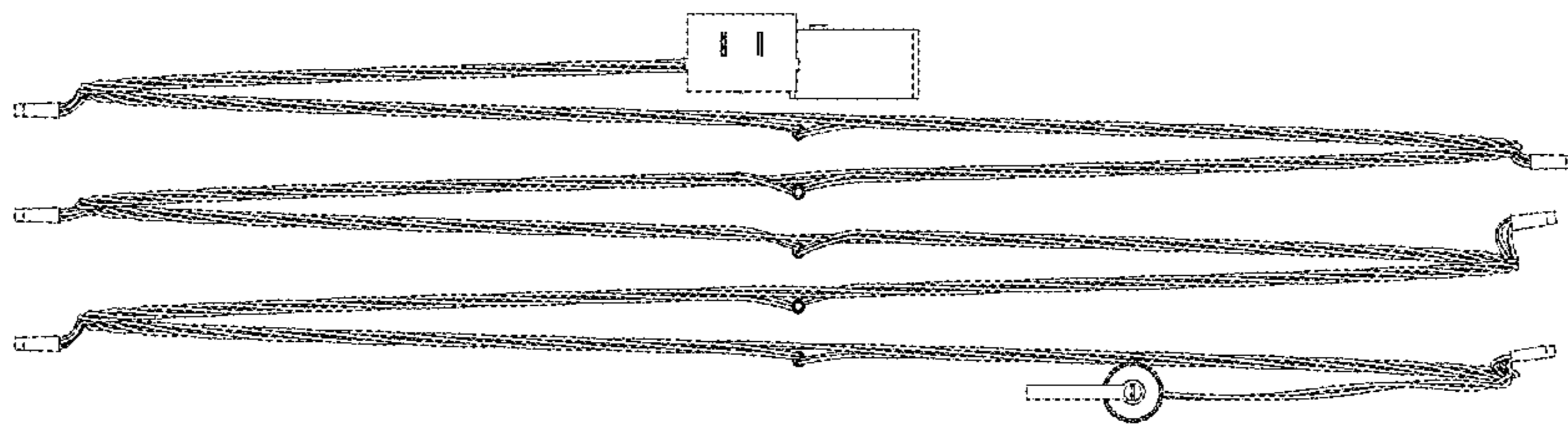


FIG. 6

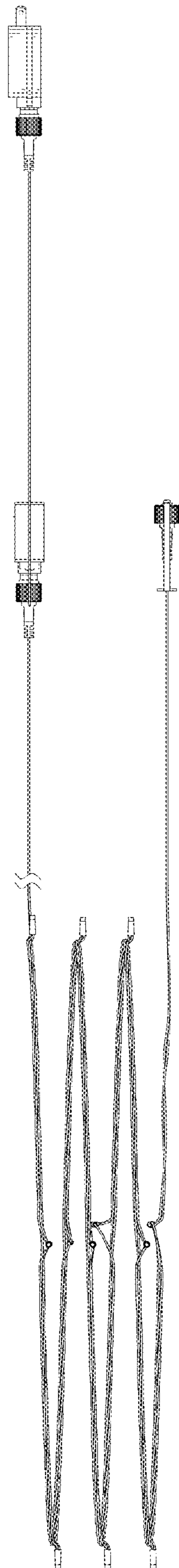


FIG. 7

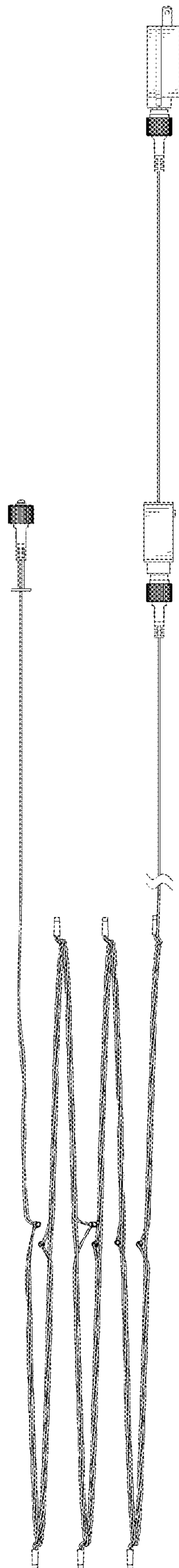


FIG. 8

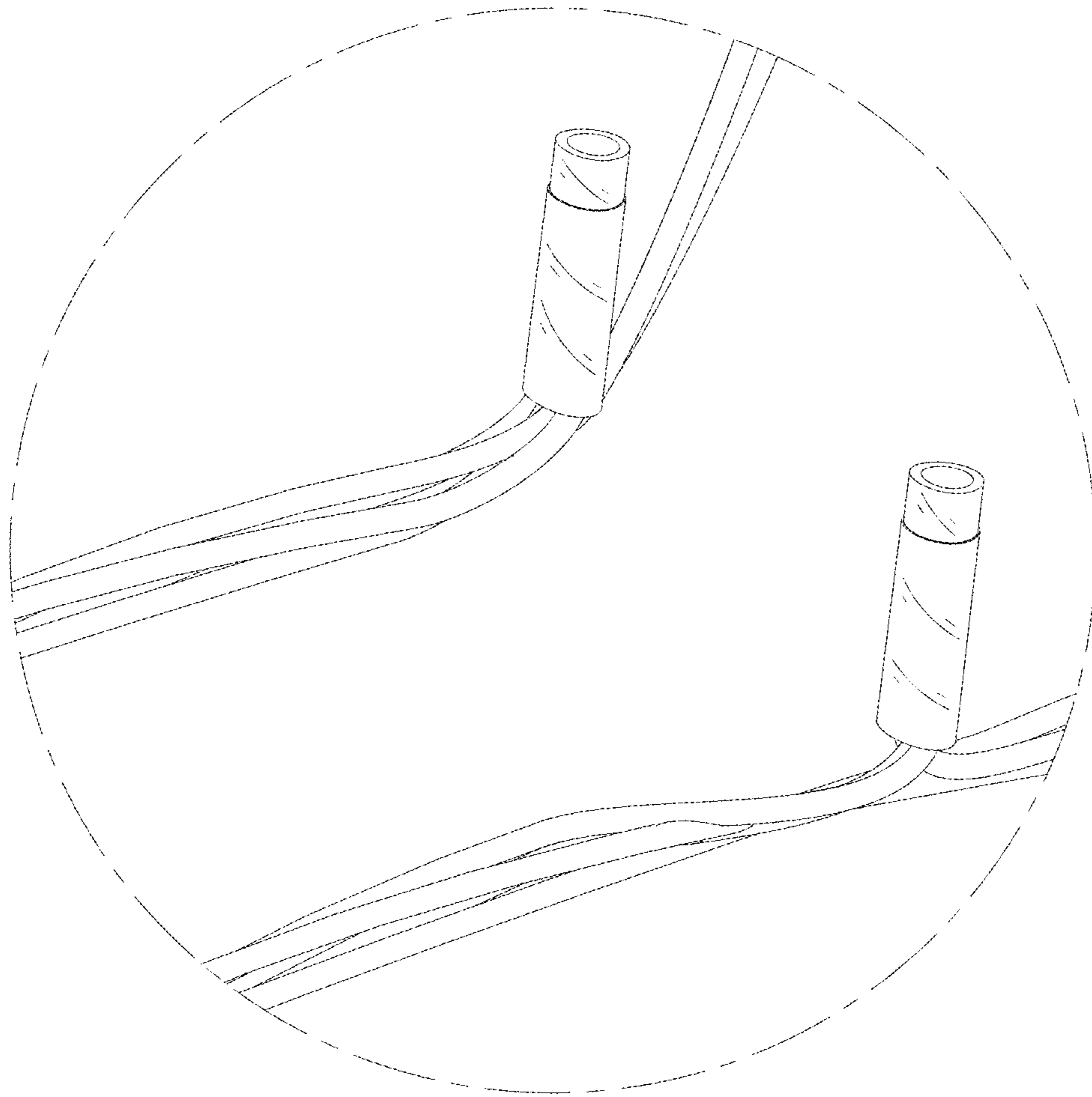


FIG. 9