



US00D908254S

(12) **United States Design Patent**
Zhu

(10) **Patent No.:** **US D908,254 S**
(45) **Date of Patent:** **** Jan. 19, 2021**

- (54) **LIGHT**
- (71) Applicant: **SHENZHEN CHUYA TRADING CO., LTD.**, Shenzhen (CN)
- (72) Inventor: **Wujun Zhu**, Xianning (CN)
- (73) Assignee: **SHENZHEN CHUYA TRADING CO., LTD.**, Shenzhen (CN)
- (**) Term: **15 Years**
- (21) Appl. No.: **29/741,819**
- (22) Filed: **Jul. 16, 2020**
- (51) **LOC (13) Cl.** **26-03**
- (52) **U.S. Cl.**
USPC **D26/25**
- (58) **Field of Classification Search**
USPC D26/25; D32/61, 62
CPC F21W 2121/04; F21S 4/00; F21S 4/002;
F21S 4/003; G09F 13/00
See application file for complete search history.

- D554,790 S * 11/2007 Graham D26/25
- D565,209 S * 3/2008 Van Dyn Hoven F21V 17/10
D26/25
- D683,511 S * 5/2013 Fascitelli D32/61
- D778,468 S * 2/2017 van der Lande D26/25
- D784,580 S 4/2017 Smith
- D796,705 S * 9/2017 Lieblein D26/25
- D816,874 S * 5/2018 Lentz D26/25
- D861,219 S 9/2019 Shengbiao

* cited by examiner

Primary Examiner — Brian N. Vinson

(57) **CLAIM**

The ornamental design for a light, as shown and described.

DESCRIPTION

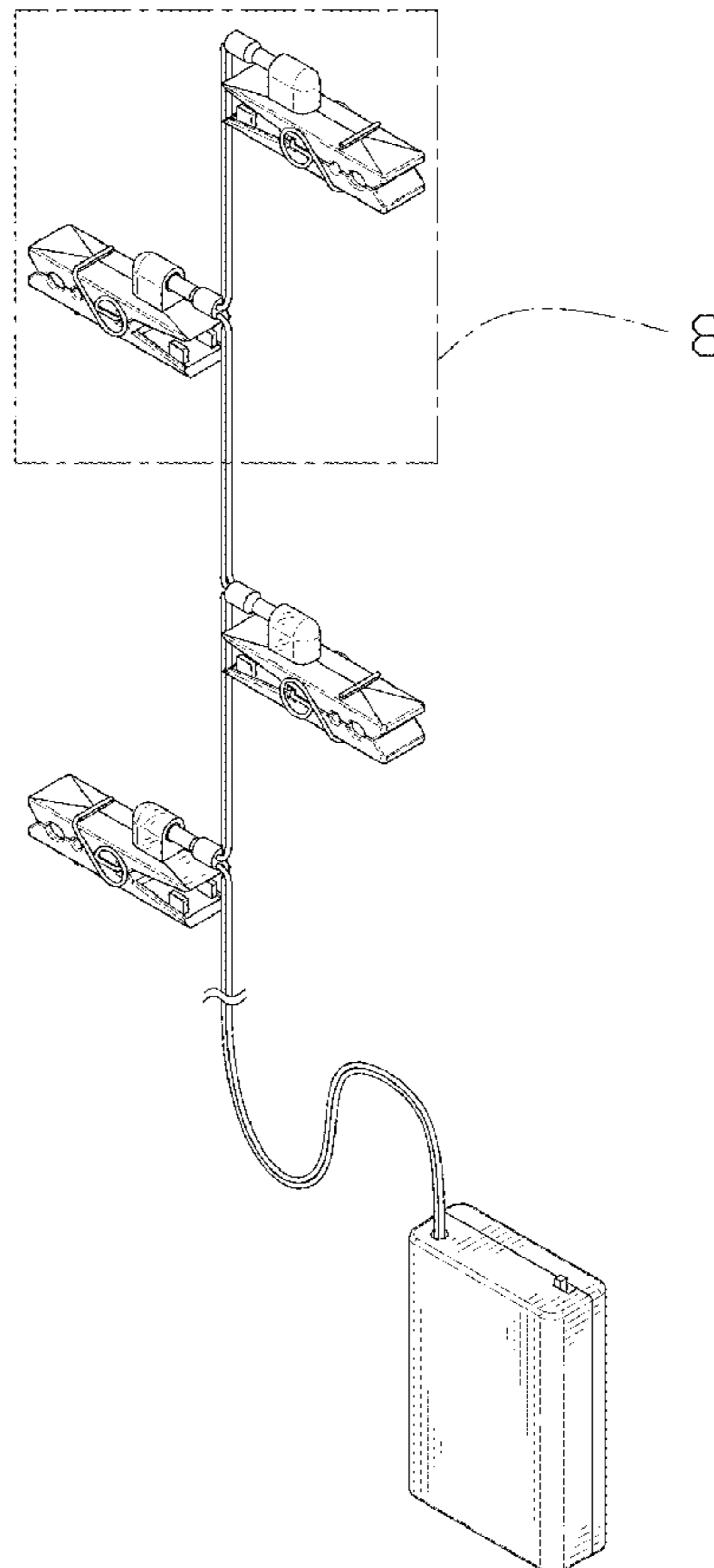
FIG. 1 is a perspective view of a light showing my new design;
 FIG. 2 is a front elevational view thereof;
 FIG. 3 is a rear elevational view thereof;
 FIG. 4 is a left side elevational view thereof;
 FIG. 5 is a right side elevational view thereof;
 FIG. 6 is a top plan view thereof;
 FIG. 7 is a bottom plan view thereof; and,
 FIG. 8 is an enlarged view of portion 8 shown in FIG. 1.
 The light is shown with a symbolic break in its length and the appearance of any portion of the light between the break lines form no part of the claimed design.

(56) **References Cited**

U.S. PATENT DOCUMENTS

- D181,034 S * 9/1957 Bossi D26/25
- D374,170 S * 10/1996 Slaski D32/61
- D435,921 S * 1/2001 Braley D26/25

1 Claim, 8 Drawing Sheets



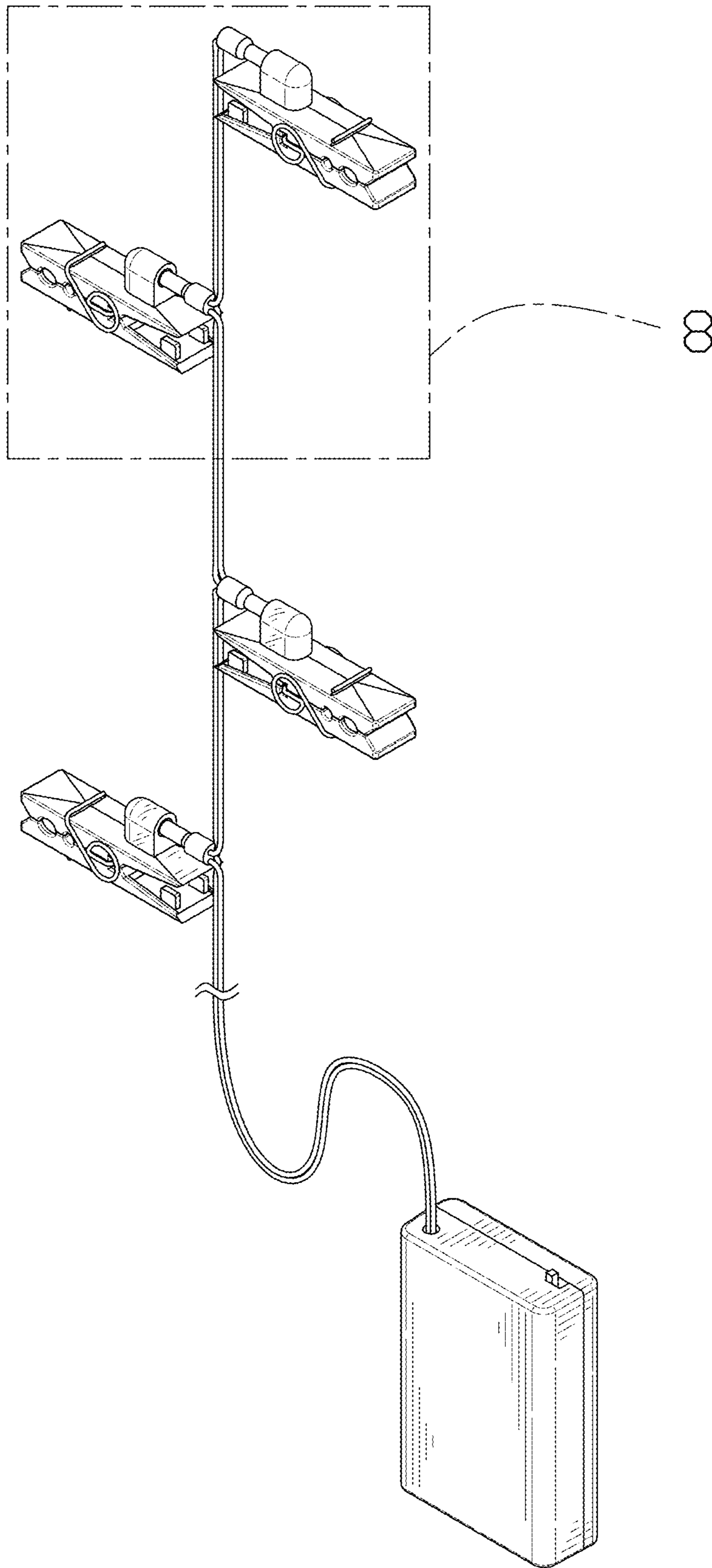


FIG. 1

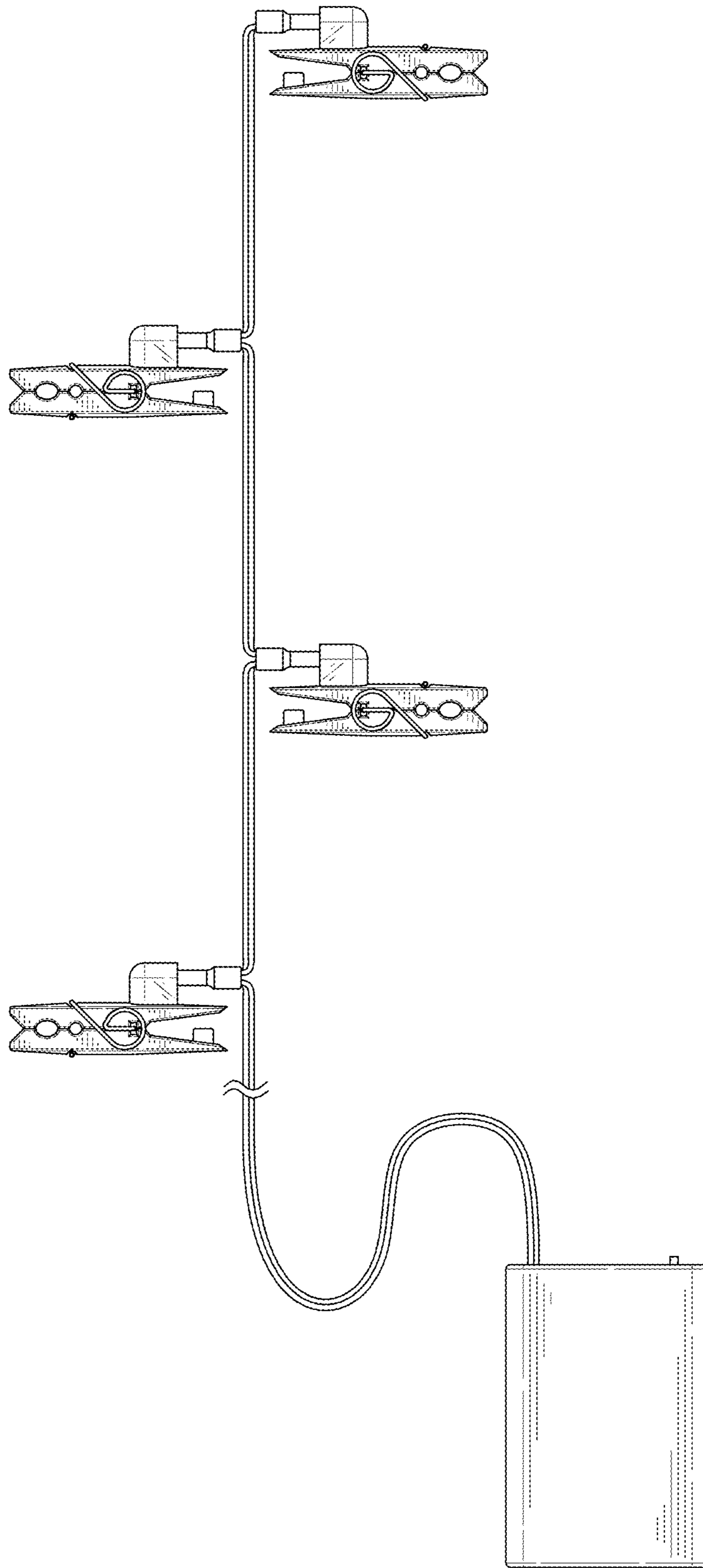


FIG. 2

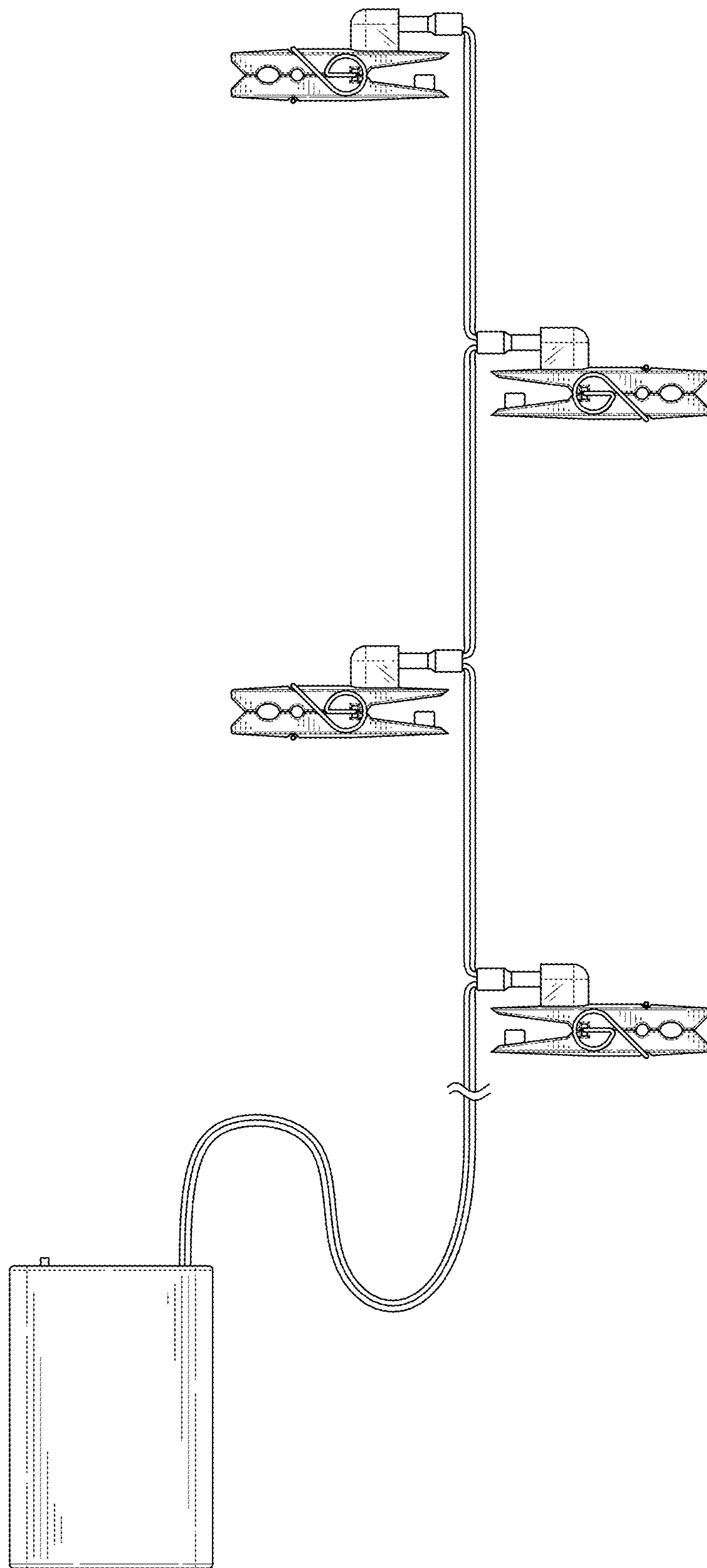


FIG. 3

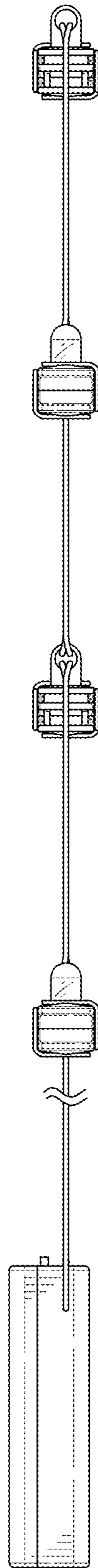


FIG. 4

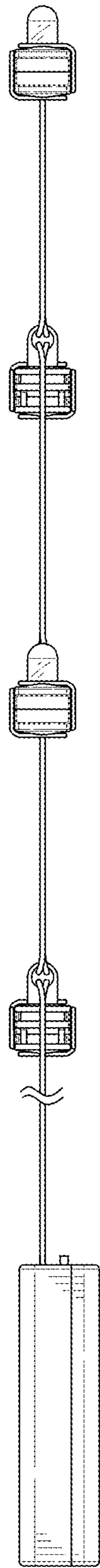


FIG. 5

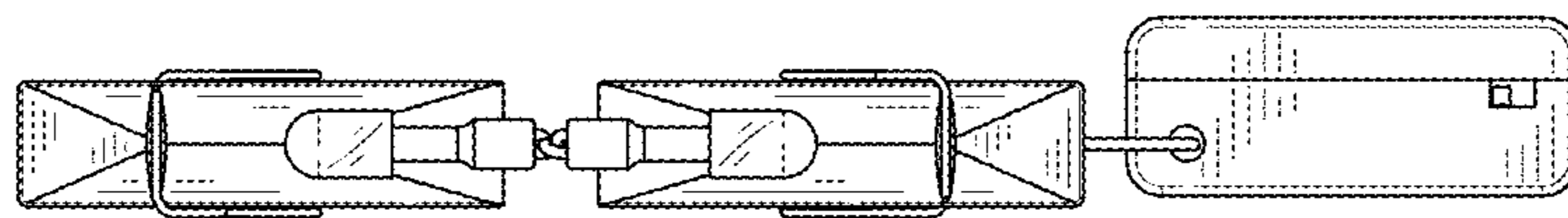


FIG. 6

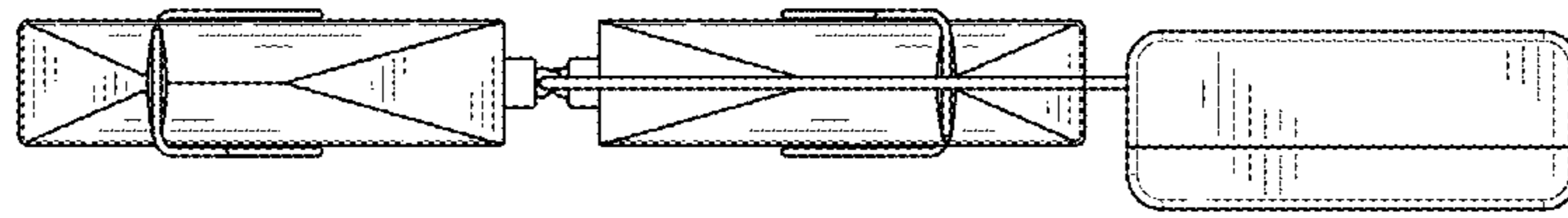


FIG. 7

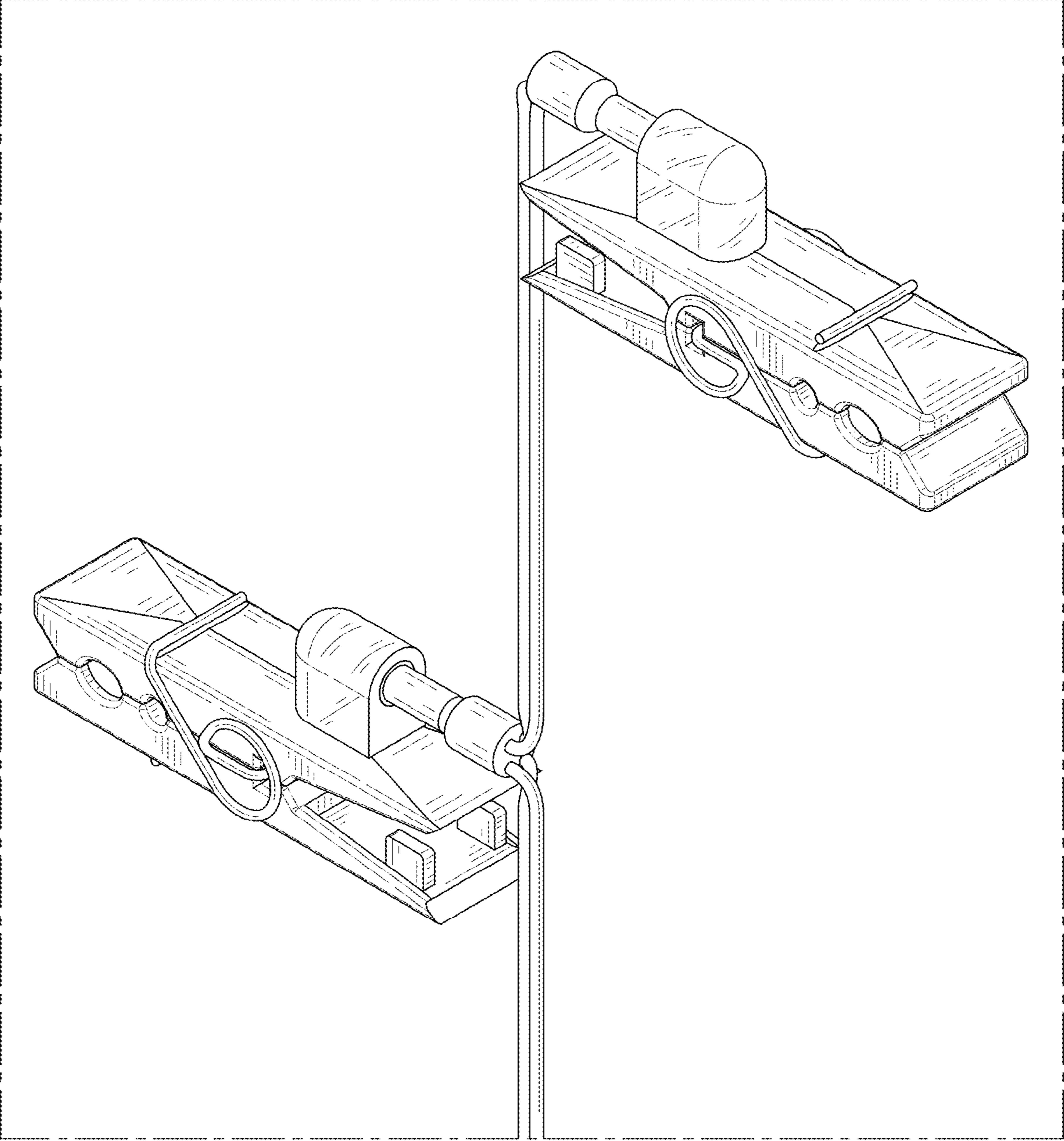


FIG. 8