



US00D908252S

(12) **United States Design Patent**
Koptis et al.

(10) **Patent No.:** **US D908,252 S**
(45) **Date of Patent:** **** Jan. 19, 2021**

- (54) **DOUBLE ENDED CANDLE**
- (71) Applicants: **Kurt Koptis**, Joshua Tree, CA (US);
Suzetta Von Zell, Joshua Tree, CA (US)
- (72) Inventors: **Kurt Koptis**, Joshua Tree, CA (US);
Suzetta Von Zell, Joshua Tree, CA (US)
- (**) Term: **15 Years**
- (21) Appl. No.: **29/691,387**
- (22) Filed: **May 15, 2019**
- (51) **LOC (13) Cl.** **26-01**
- (52) **U.S. Cl.**
USPC **D26/13**
- (58) **Field of Classification Search**
USPC D26/6-23; D9/418, 428, 432; D11/131,
D11/145, 152, 155; D20/10, 21;
D6/657, 659, 661, 661.3, 671, 675, 677
CPC F21V 99/00; F21V 35/00; F21V 37/00;
F21V 21/06; C11C 5/008; C11C 5/00;
Y10S 362/806; Y10S 229/923; F23D
3/08; F23D 3/16; B65D 5/52; A47G
33/00
See application file for complete search history.

- (56) **References Cited**
U.S. PATENT DOCUMENTS
- | | | | | |
|--------------|---------|------------|-------|---------|
| D380,417 S * | 7/1997 | Hardy | | D11/125 |
| D426,087 S * | 6/2000 | Walls, Jr. | | D17/24 |
| D468,636 S * | 1/2003 | Weinstein | | D9/418 |
| D474,046 S * | 5/2003 | Brown, III | | D6/661 |
| D512,661 S * | 12/2005 | Morris | | D11/131 |
| D518,408 S * | 4/2006 | Harrity | | D11/131 |
| D526,190 S * | 8/2006 | Bolt | | D9/418 |
| D527,252 S * | 8/2006 | Bolt | | D9/418 |

- | | | | | |
|-------------------|---------|----------------|-------|-----------------------|
| D553,488 S * | 10/2007 | Pacheco | | D9/418 |
| D591,589 S * | 5/2009 | Myers | | D7/615 |
| D592,046 S * | 5/2009 | Myers | | D7/615 |
| D627,088 S * | 11/2010 | Schwartz | | D26/23 |
| D631,700 S * | 2/2011 | Flick | | D7/523 |
| D645,172 S * | 9/2011 | Cobb | | D26/6 |
| D660,997 S * | 5/2012 | Seum | | D26/23 |
| D695,930 S * | 12/2013 | Kittredge, III | | D26/22 |
| D695,932 S * | 12/2013 | Kittredge, III | | D26/22 |
| D698,641 S * | 2/2014 | Theisen | | D9/418 |
| D733,944 S * | 7/2015 | Cohanin | | D26/22 |
| D815,977 S * | 4/2018 | Hollis | | D11/145 |
| D817,771 S * | 5/2018 | Smith | | D9/635 |
| D823,696 S * | 7/2018 | O'Neill | | D9/711 |
| D829,024 S * | 9/2018 | Mejia | | D6/661 |
| D868,485 S * | 12/2019 | Thelusma | | D6/315 |
| 2008/0151534 A1 * | 6/2008 | Lin | | F21S 10/04
362/191 |

* cited by examiner

Primary Examiner — Shannon W Morgan
Assistant Examiner — Keith Frank
(74) *Attorney, Agent, or Firm* — Law Offices of David M. Lang; David M. Lang

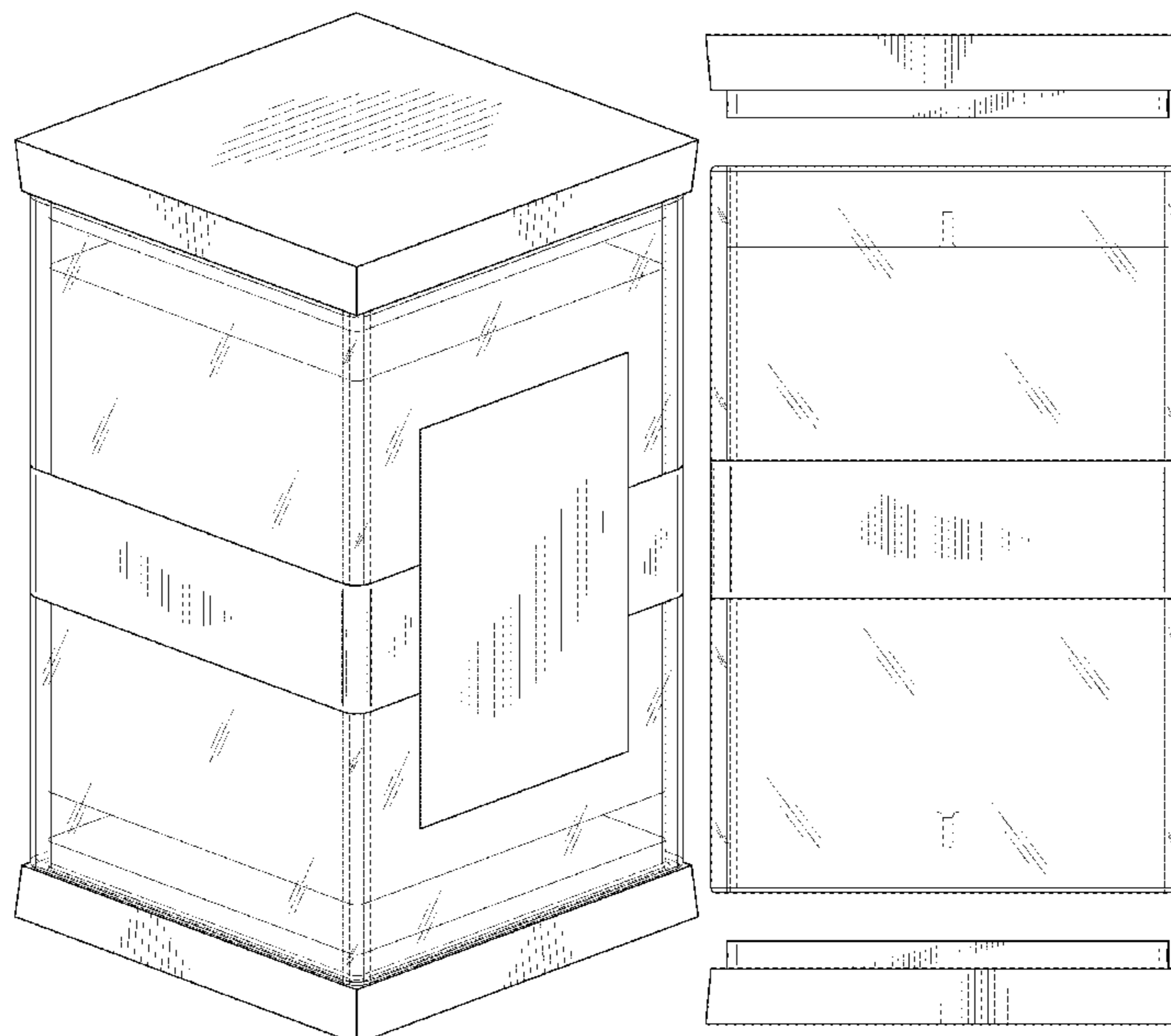
(57) **CLAIM**

The ornamental design for a double ended candle, as shown and described.

DESCRIPTION

FIG. 1 is a top perspective view of a double ended candle showing our new design.
FIG. 2 is a bottom perspective view thereof.
FIG. 3 is a top view thereof.
FIG. 4 is a bottom view thereof.
FIG. 5 is a front elevation view thereof.
FIG. 6 is a back elevation view thereof.
FIG. 7 is an exploded top perspective view thereof; and,
FIG. 8 is a side exploded view thereof.

1 Claim, 8 Drawing Sheets



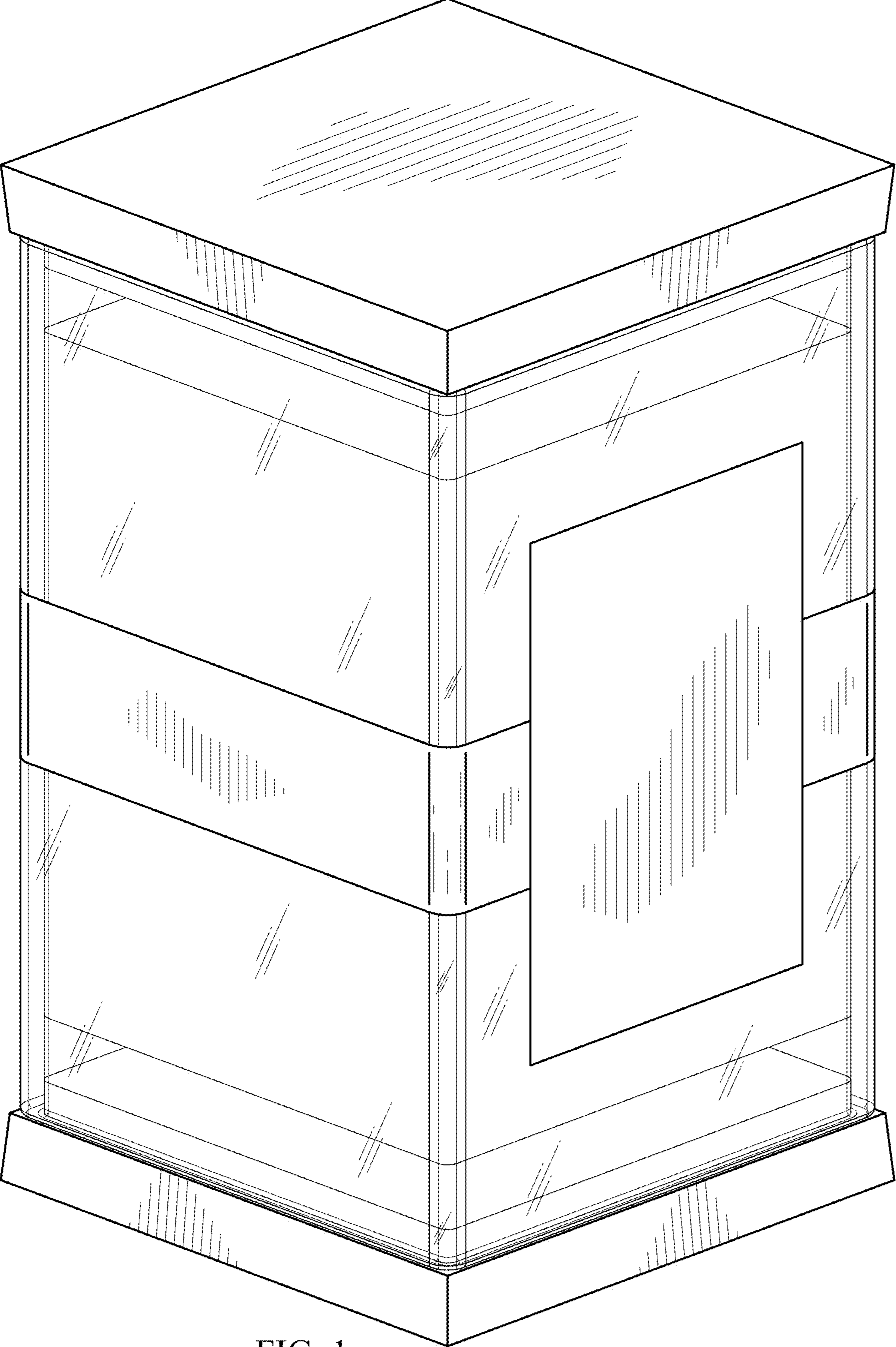


FIG. 1

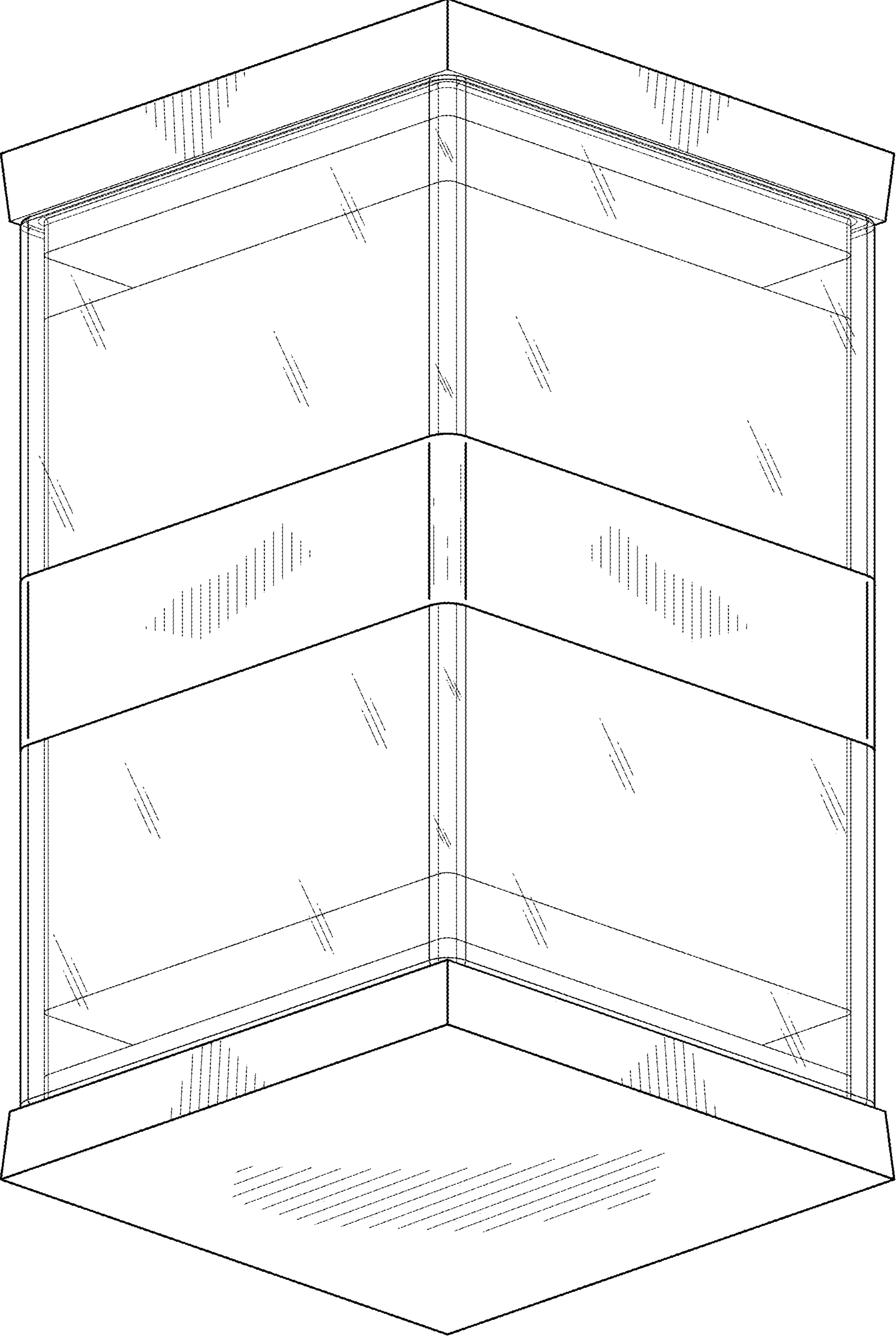


FIG. 2

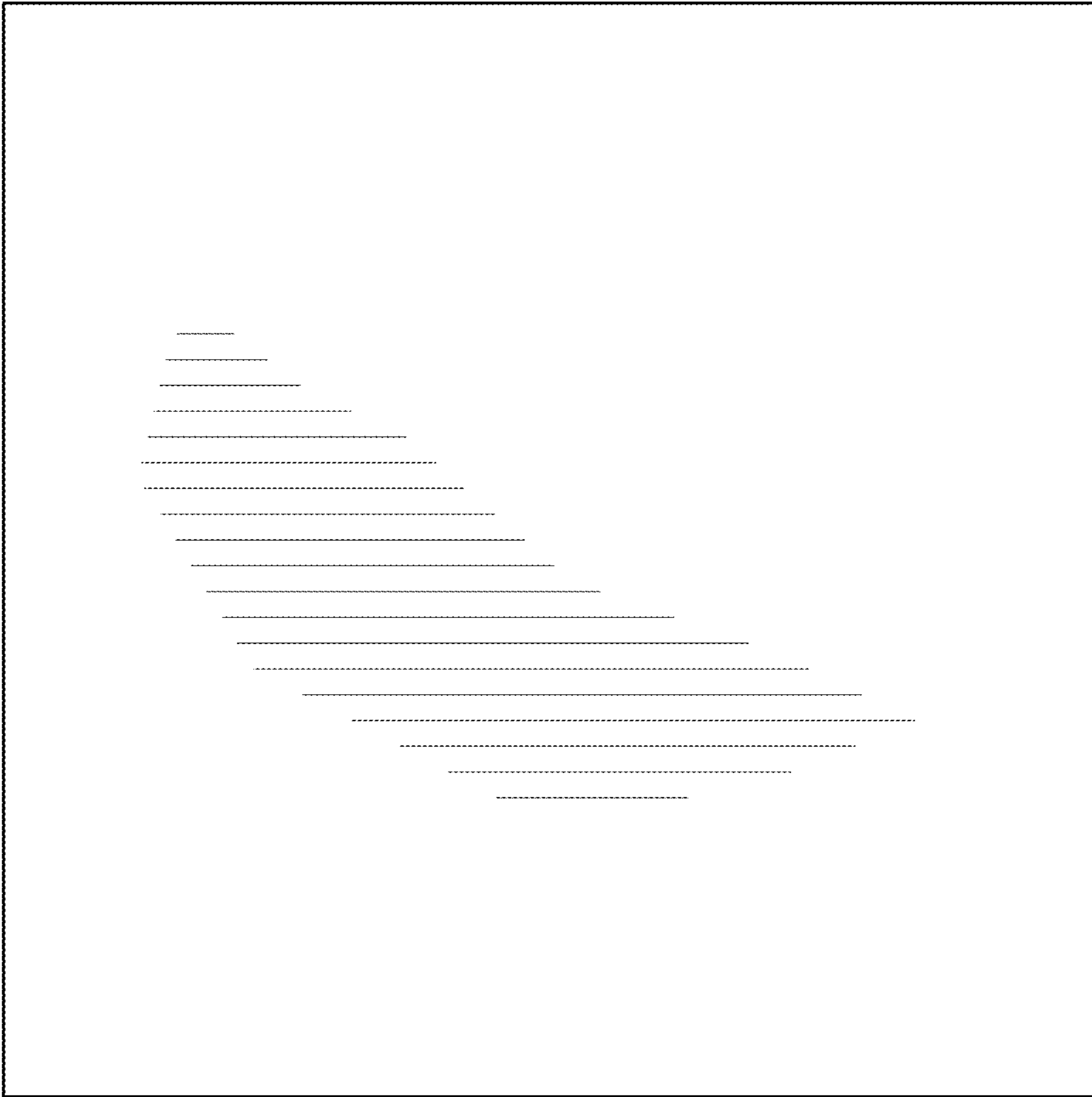


FIG. 3

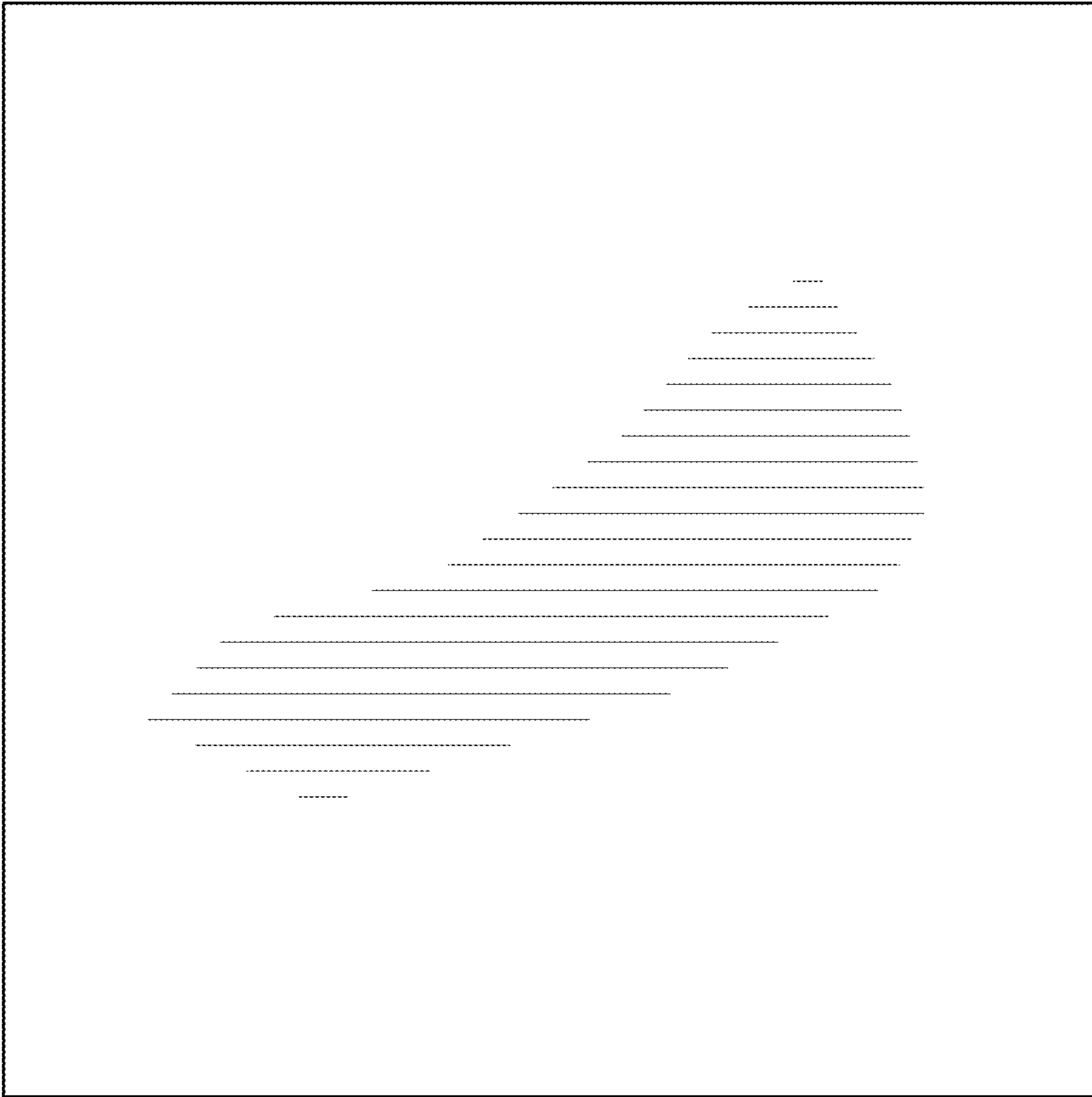


FIG. 4

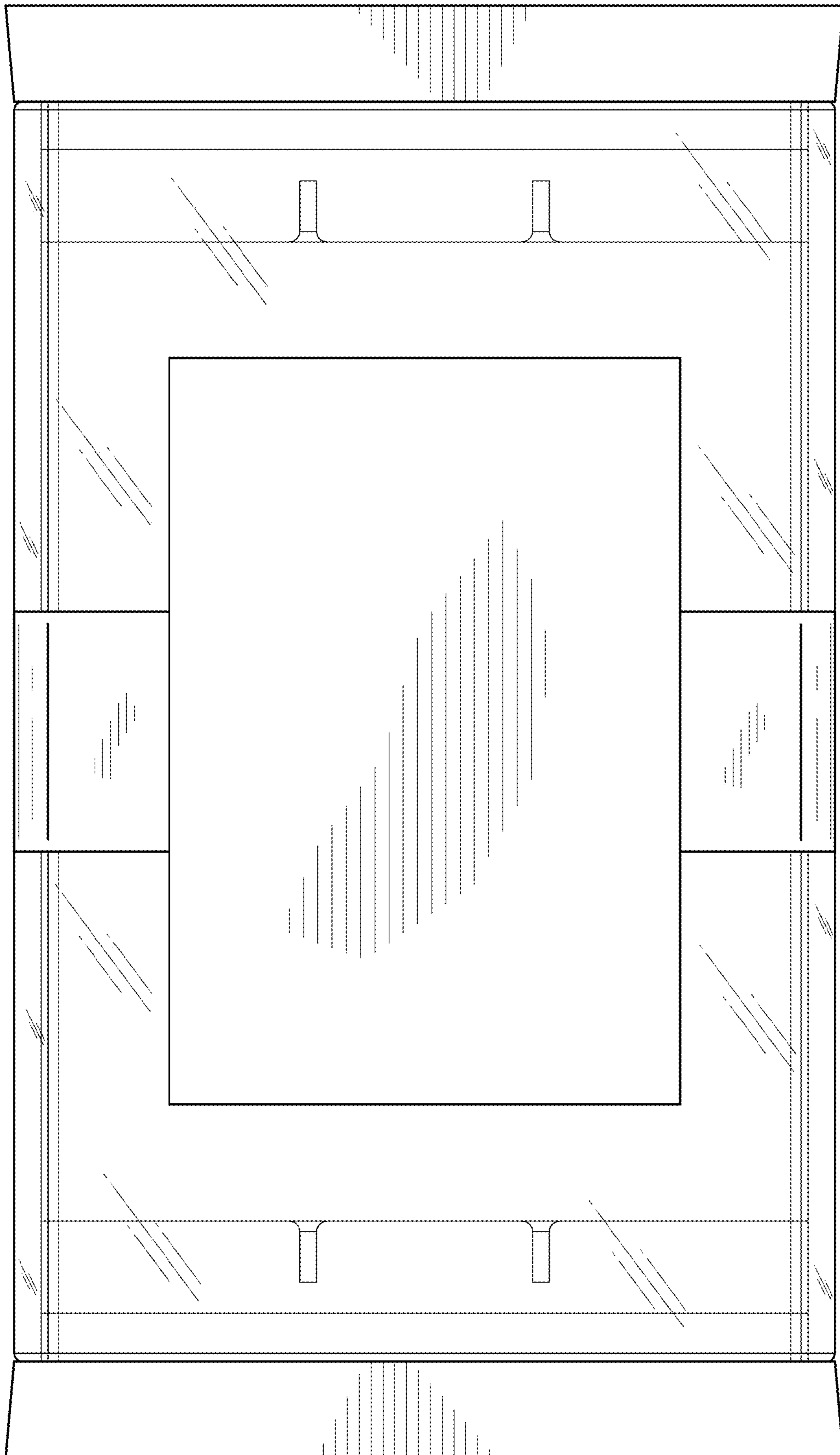


FIG. 5

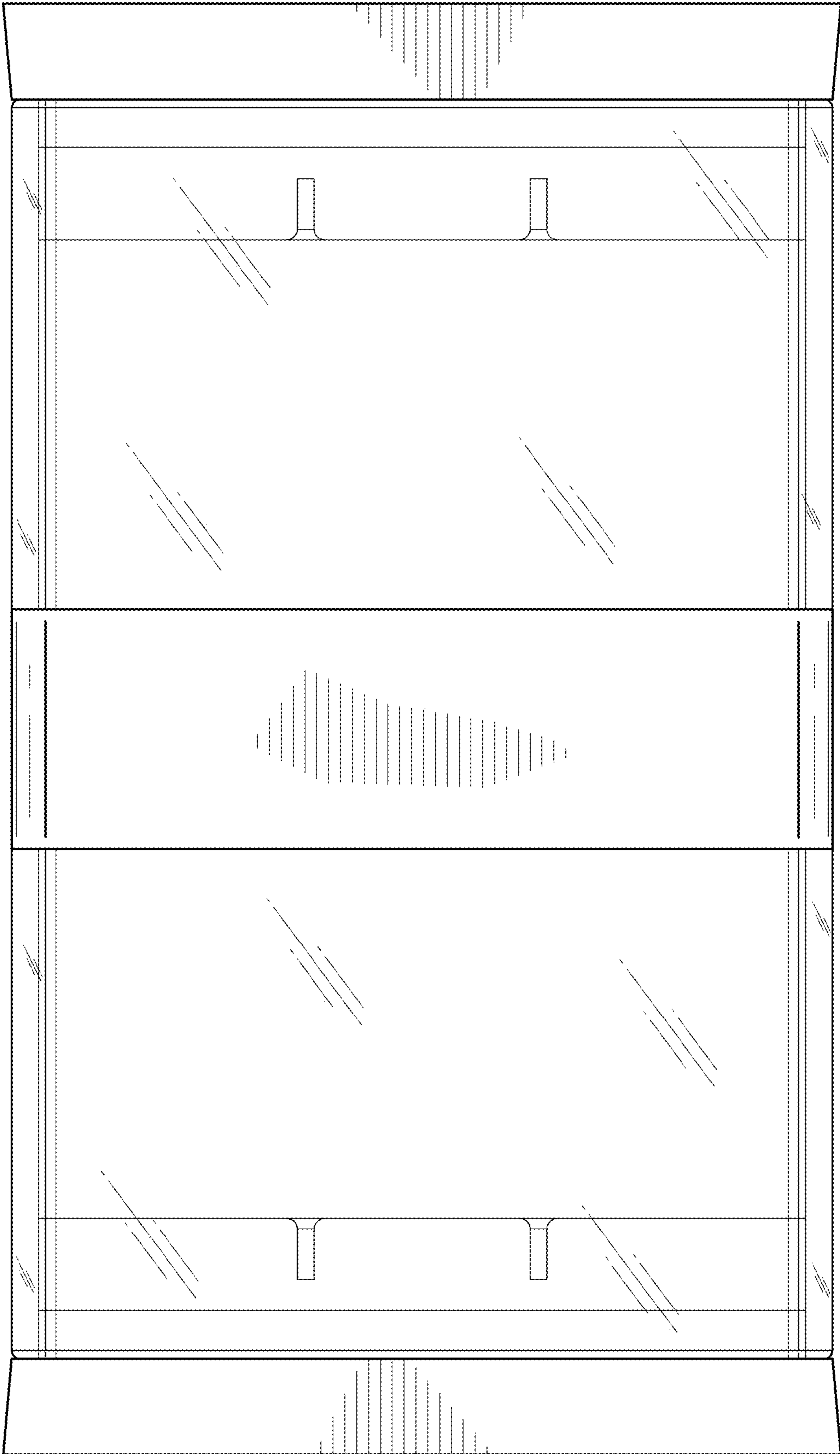


FIG. 6

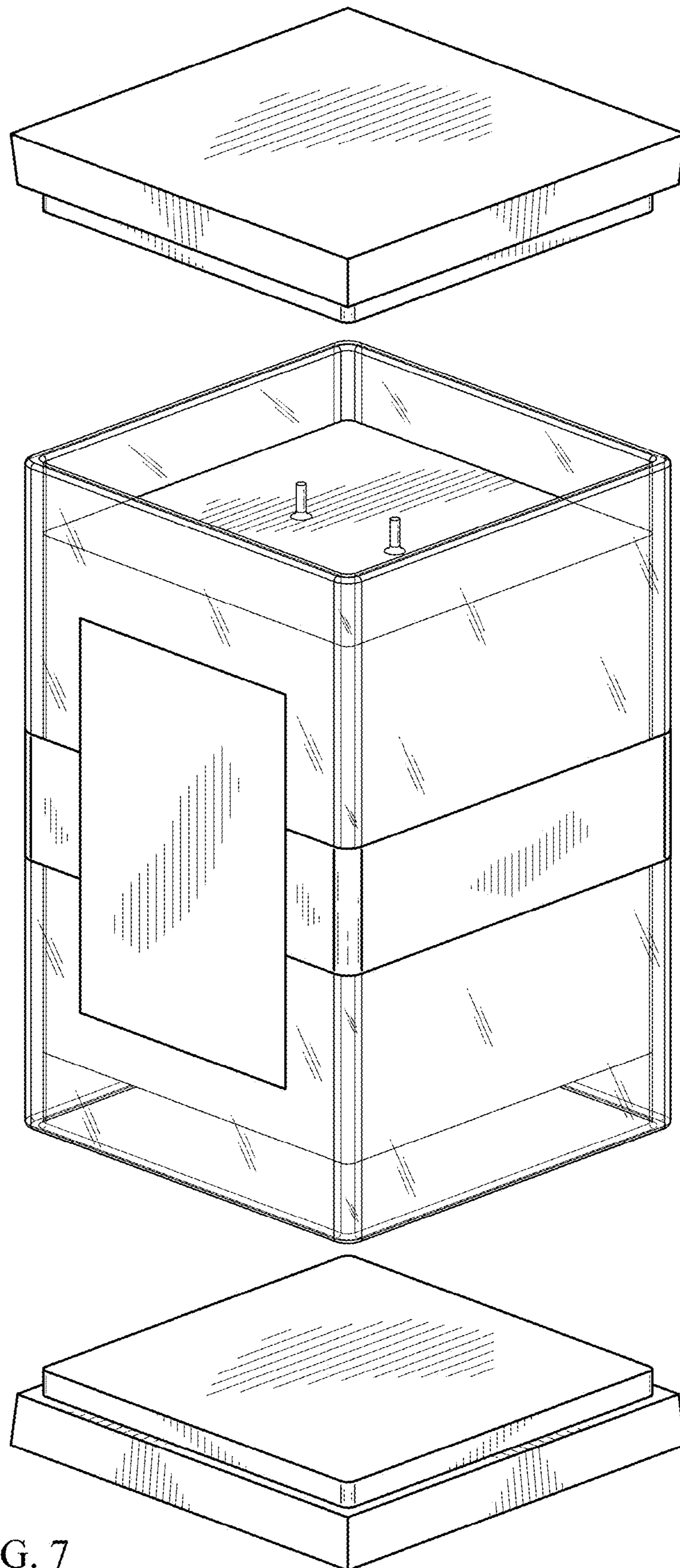


FIG. 7

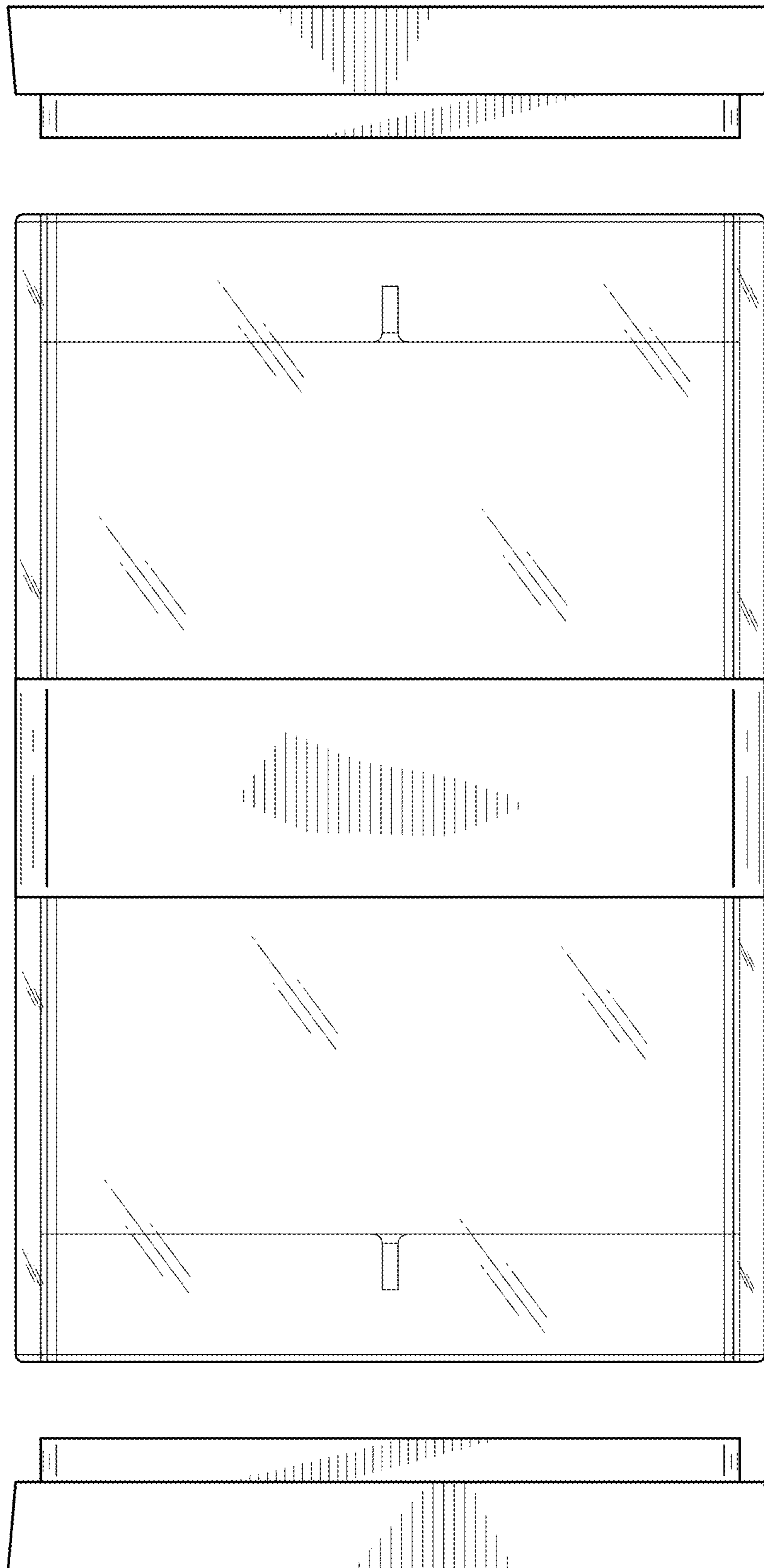


FIG. 8