



US00D908251S

(12) **United States Design Patent** (10) **Patent No.:** **US D908,251 S**
Chen (45) **Date of Patent:** **** Jan. 19, 2021**

(54) **LIGHT BULB**

(71) Applicant: **ZHEJIANG SUPER LIGHTING ELECTRIC APPLIANCE CO., LTD.**, Zhejiang (CN)

(72) Inventor: **Yi-Ching Chen**, Hsinchu County (TW)

(73) Assignee: **ZHEJIANG SUPER LIGHTING ELECTRIC APPLIANCE CO., LTD.**, Zhejiang (CN)

(**) Term: **15 Years**

(21) Appl. No.: **29/724,337**

(22) Filed: **Feb. 14, 2020**

Related U.S. Application Data

(63) Continuation of application No. 29/627,379, filed on Nov. 27, 2017, now Pat. No. Des. 879,330.

(30) **Foreign Application Priority Data**

Oct. 16, 2017 (CN) 2017 3 0489929

Oct. 27, 2017 (CN) 2017 3 0517887

(Continued)

(51) **LOC (13) Cl.** **26-04**

(52) **U.S. Cl.**
USPC **D26/2**

(58) **Field of Classification Search**
USPC D26/1-10

(Continued)

(56) **References Cited**

U.S. PATENT DOCUMENTS

D422,099 S * 3/2000 Kracke D26/2

D548,369 S * 8/2007 Bembridge D26/2

(Continued)

Primary Examiner — Marcus A Jackson

(74) *Attorney, Agent, or Firm* — Andrew M. Calderon; Roberst Calderon Safran & Cole, P.C.

(57) **CLAIM**

The ornamental design for a light bulb, as shown and described.

DESCRIPTION

FIG. 1 is a front, right perspective view of a first embodiment of a light bulb showing my new design;

FIG. 2 is a front elevation view of the first embodiment of the light bulb;

FIG. 3 is a rear elevation view of the first embodiment of the light bulb;

FIG. 4 is a left elevation view of the first embodiment of the light bulb;

FIG. 5 is a right elevation view of the first embodiment of the light bulb;

FIG. 6 is a top plan view of the first embodiment of the light bulb;

FIG. 7 is a bottom plan view of the first embodiment of the light bulb;

FIG. 8 is a front, right perspective view of a second embodiment of a light bulb showing my new design;

FIG. 9 is a front elevation view of the second embodiment of the light bulb;

FIG. 10 is a rear elevation view of the second embodiment of the light bulb;

FIG. 11 is a left elevation view of the second embodiment of the light bulb;

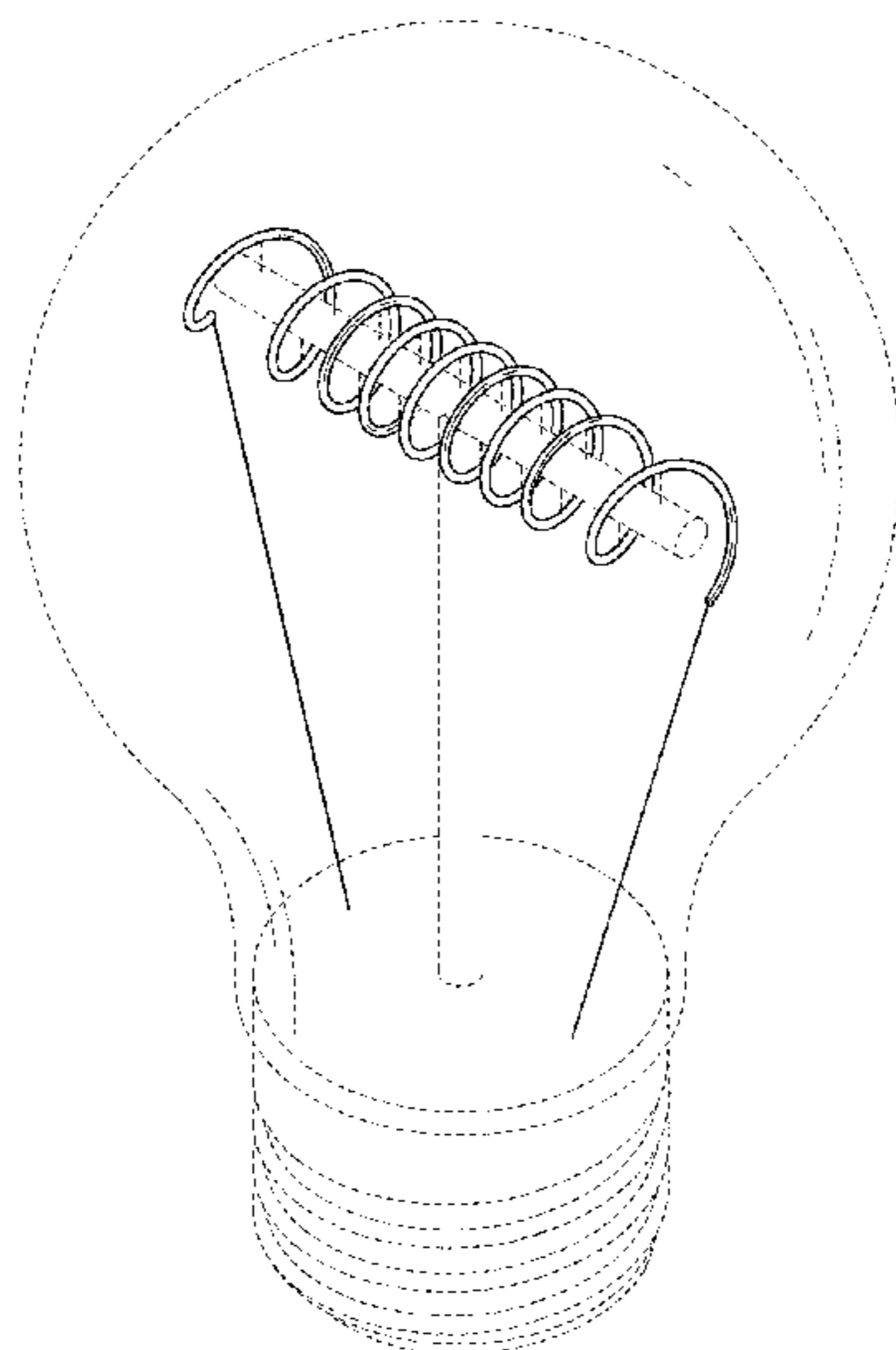
FIG. 12 is a right elevation view of the second embodiment of the light bulb;

FIG. 13 is a top plan view of the second embodiment of the light bulb; and,

FIG. 14 is a bottom plan view of the second embodiment of the light bulb.

The broken lines in the drawings are for illustrative purposes and represent environmental structure and unclaimed portions of the light bulb and therefore form no part of the claimed design.

1 Claim, 12 Drawing Sheets



(30) **Foreign Application Priority Data**

Oct. 30, 2017 (CN) 2017 3 0520672
Nov. 3, 2017 (CN) 2017 3 0537542
Nov. 3, 2017 (CN) 2017 3 0537544

(58) **Field of Classification Search**

CPC H01R 5/00; H01R 13/46; H01R 13/514;
H01R 31/048; H01R 31/02; H01J 5/00;
H01J 5/16; H01J 1/02; H01J 15/00; H01J
5/48; H01J 5/50; H01J 19/54; F21V 5/00;
F21K 9/00; F21K 13/00

See application file for complete search history.

(56) **References Cited**

U.S. PATENT DOCUMENTS

D549,360 S 8/2007 An
D550,864 S 9/2007 Hernandez, Jr. et al.
D629,929 S 12/2010 Chen et al.

* cited by examiner

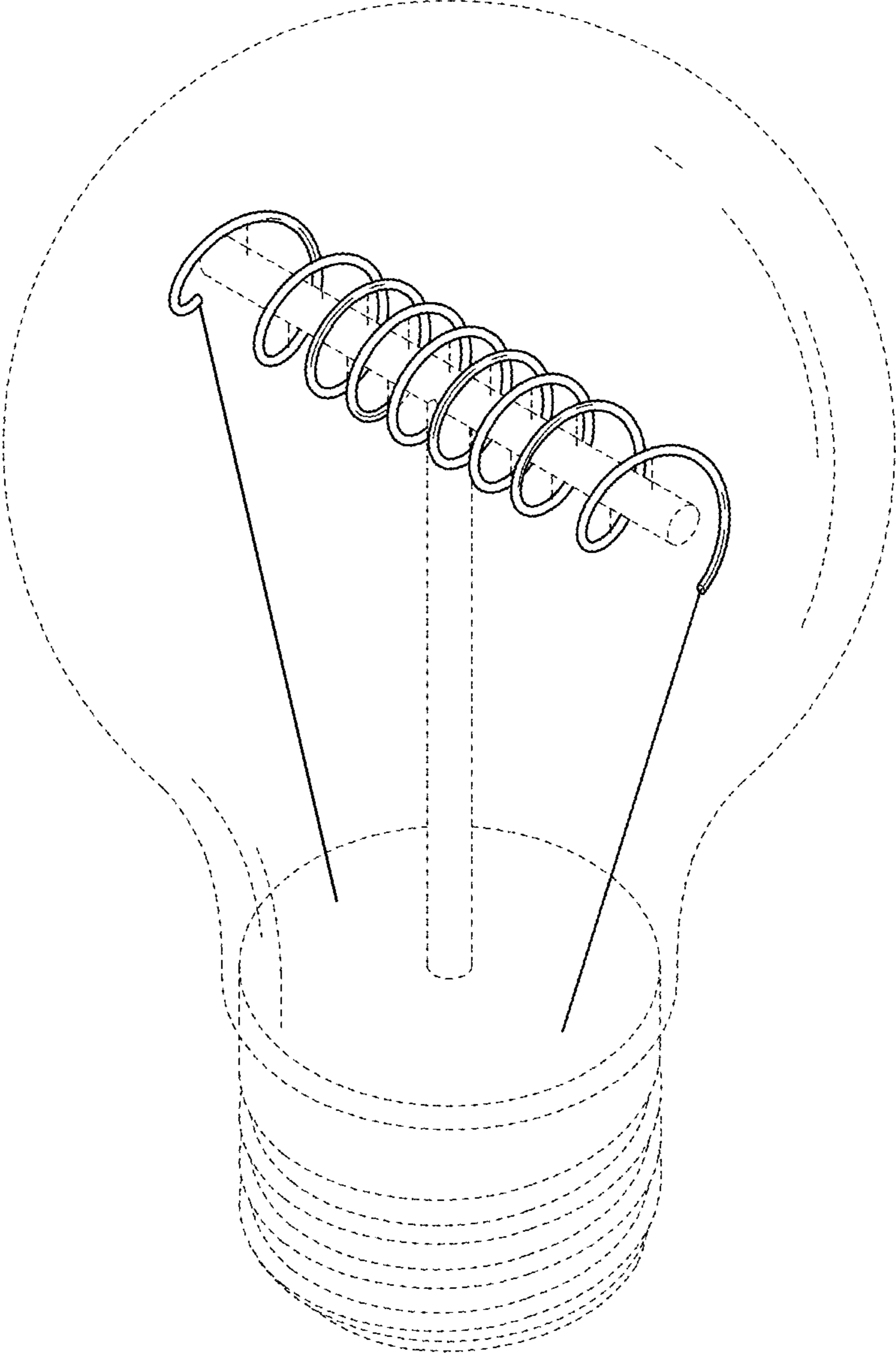


FIG. 1

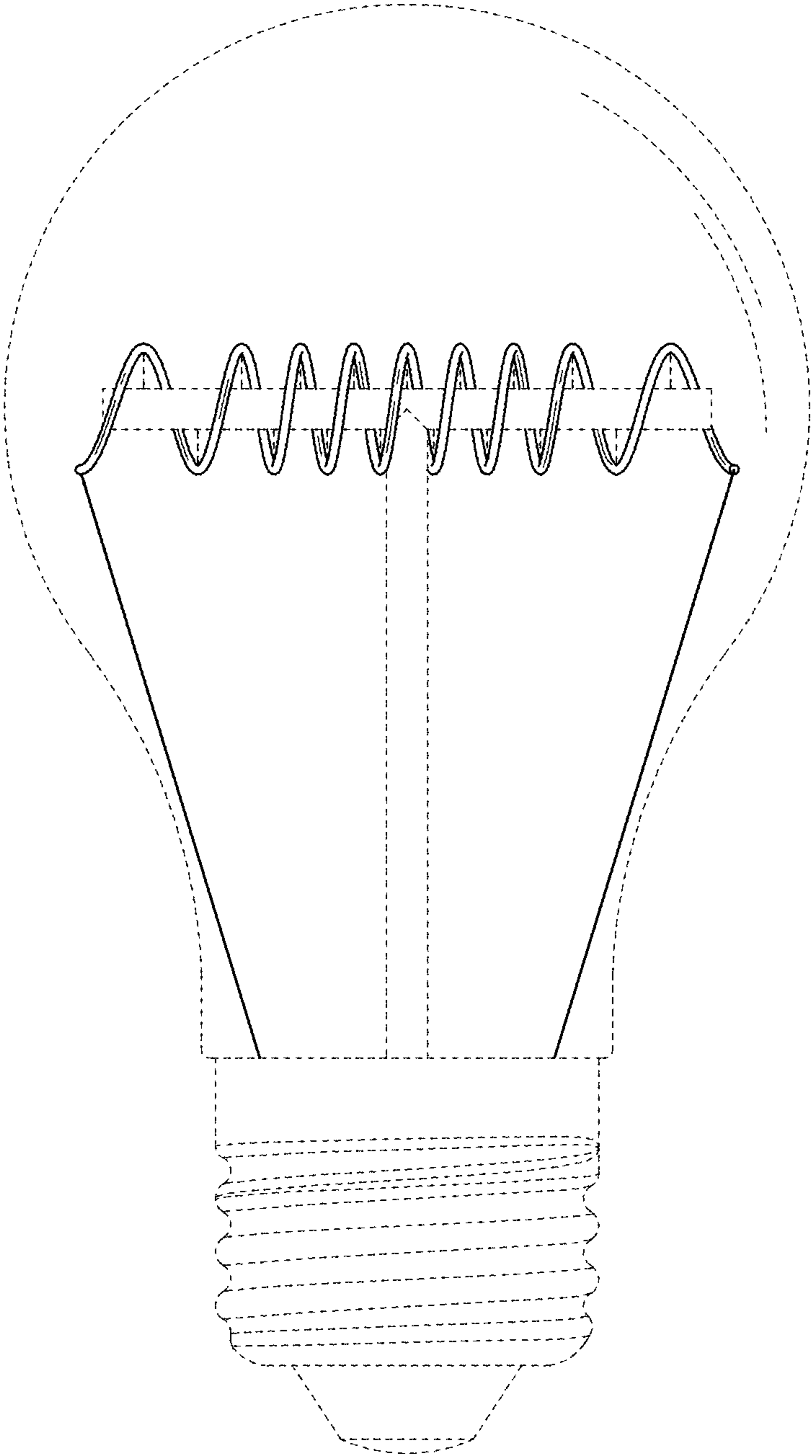


FIG. 2

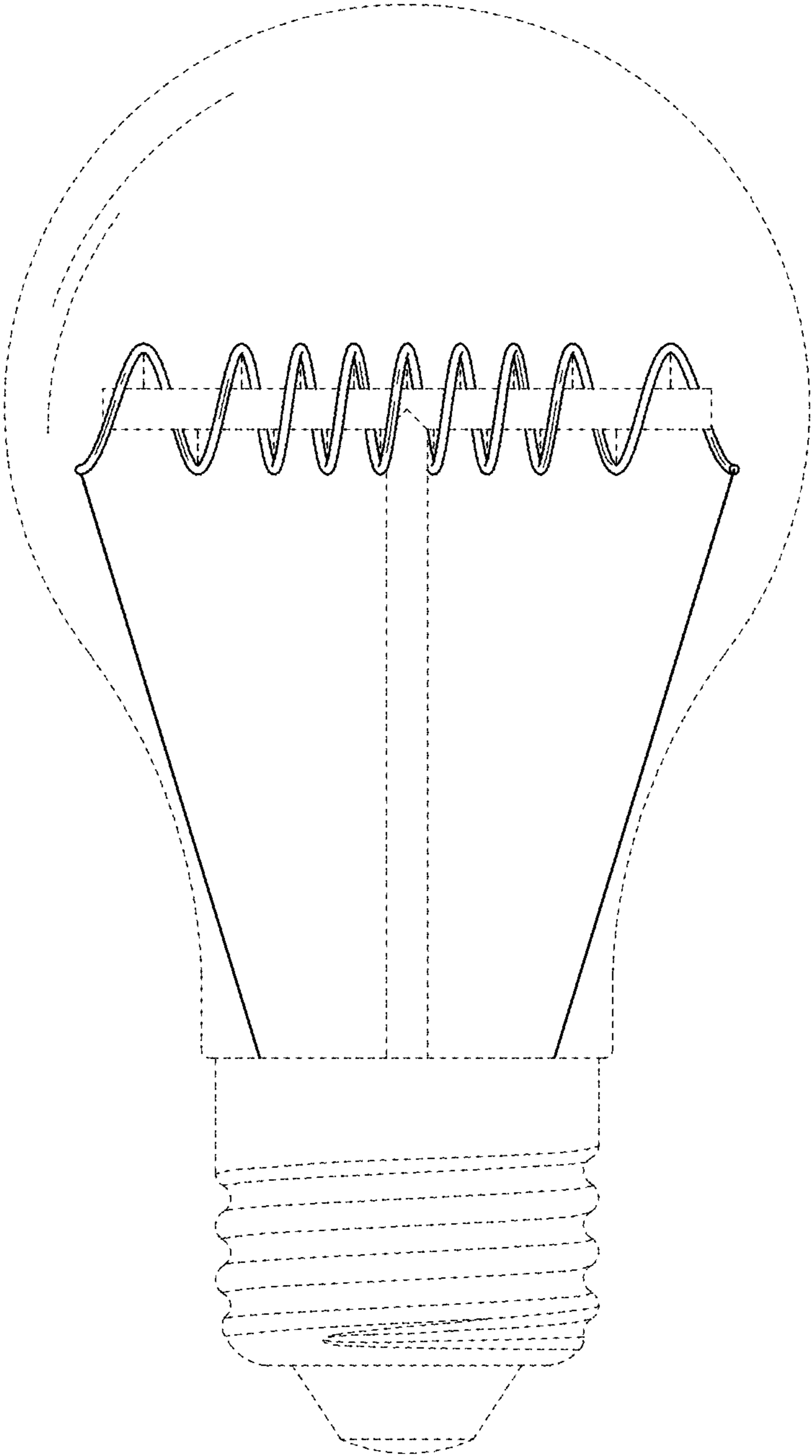


FIG. 3

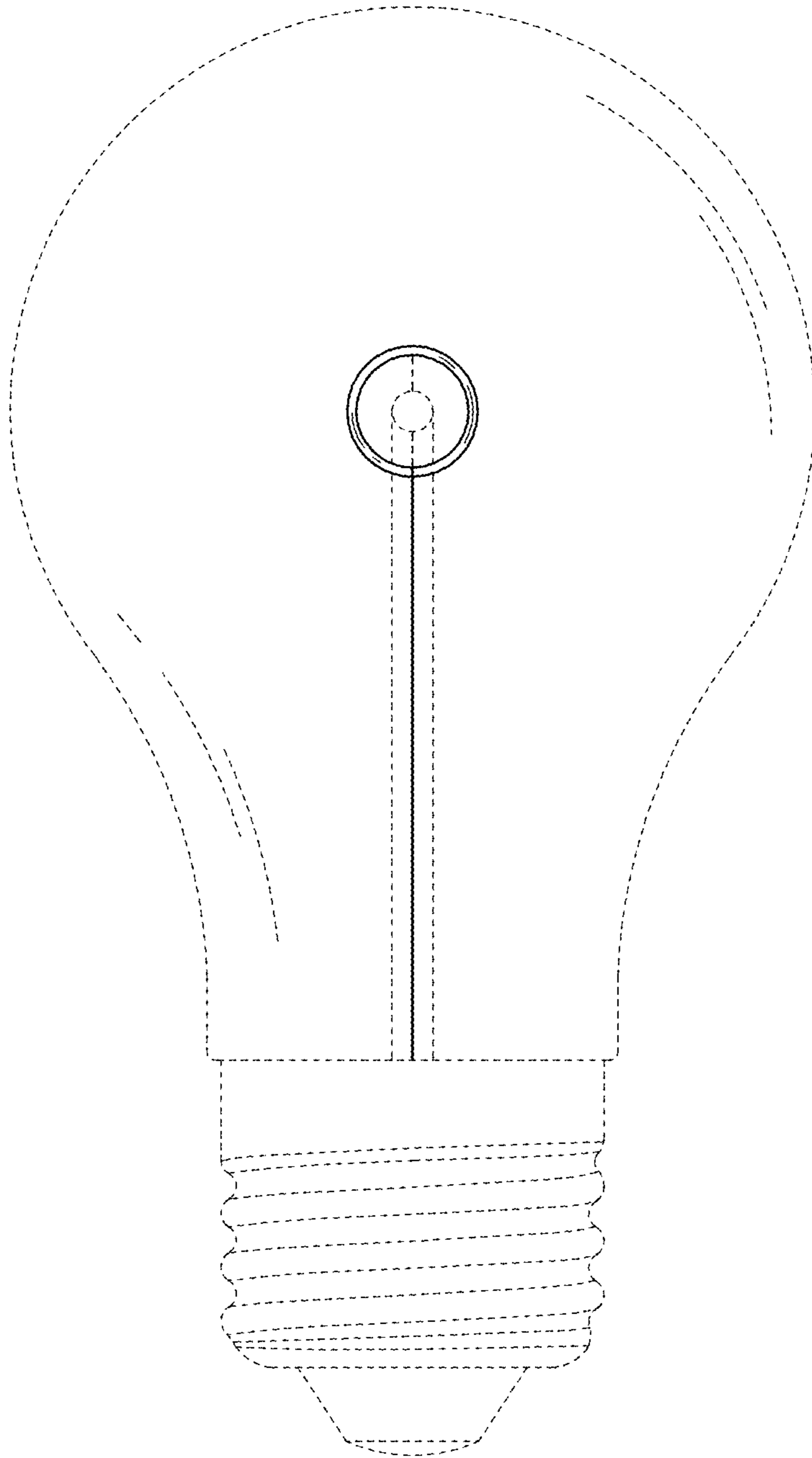


FIG. 4

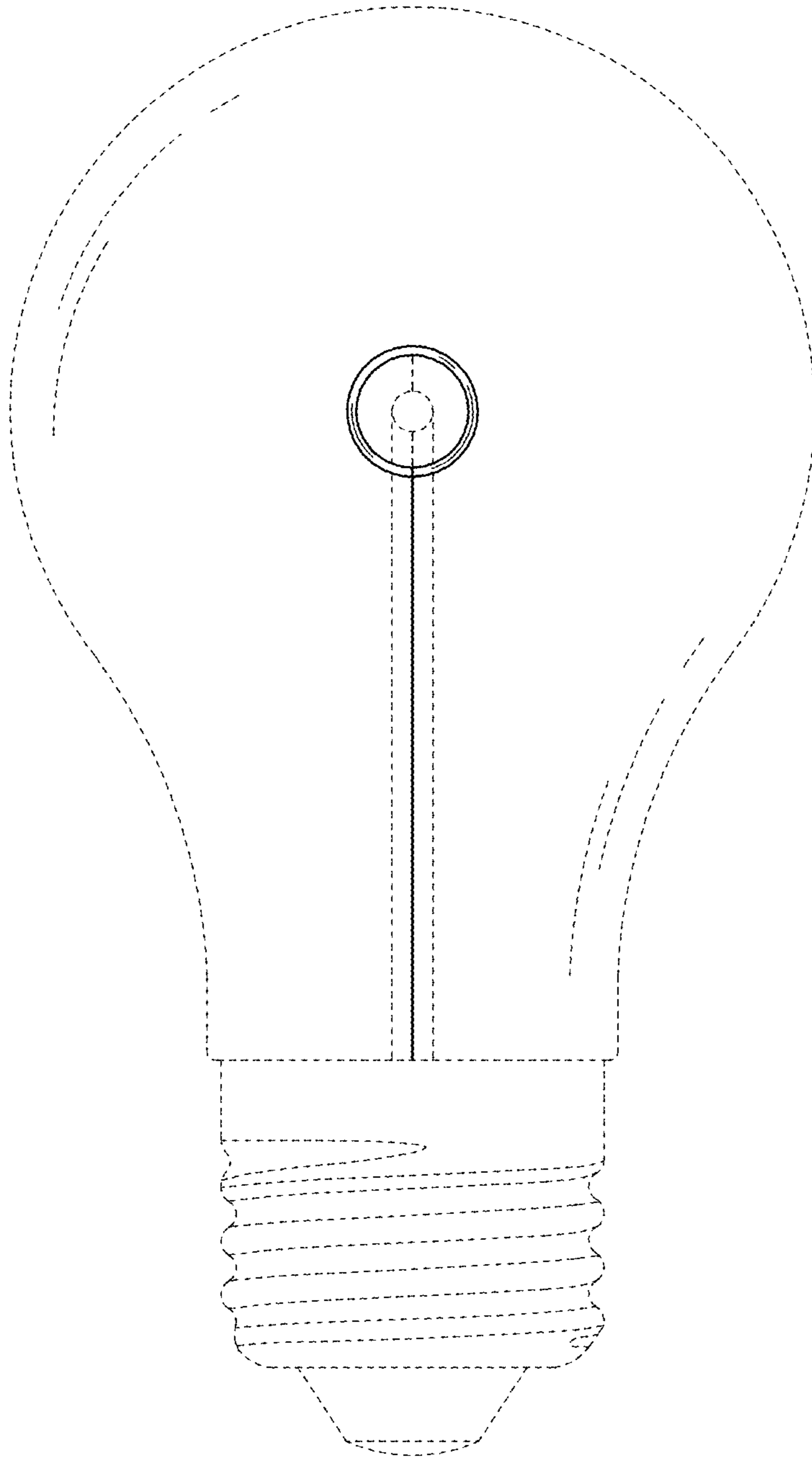


FIG. 5

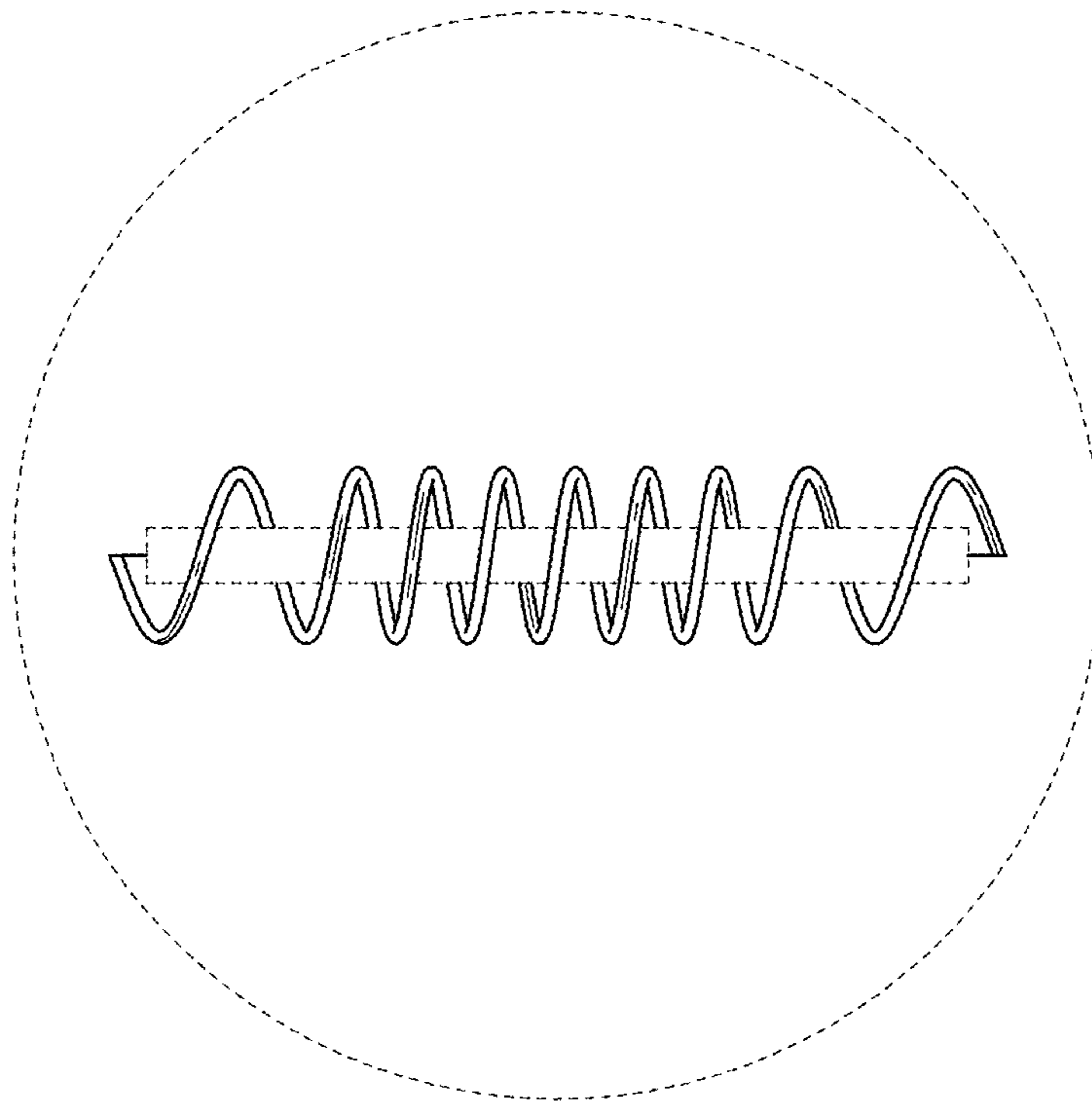


FIG. 6

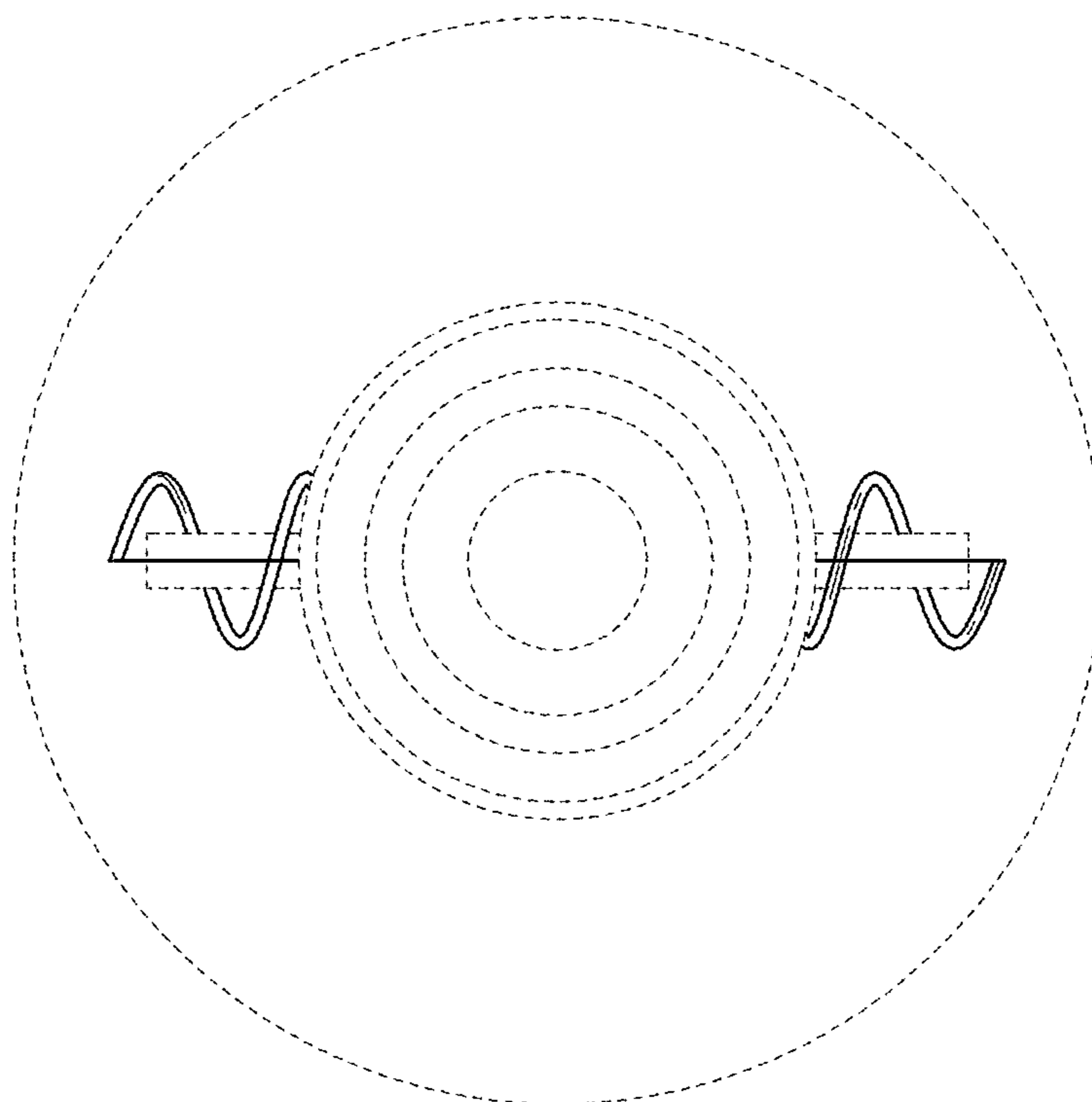


FIG. 7

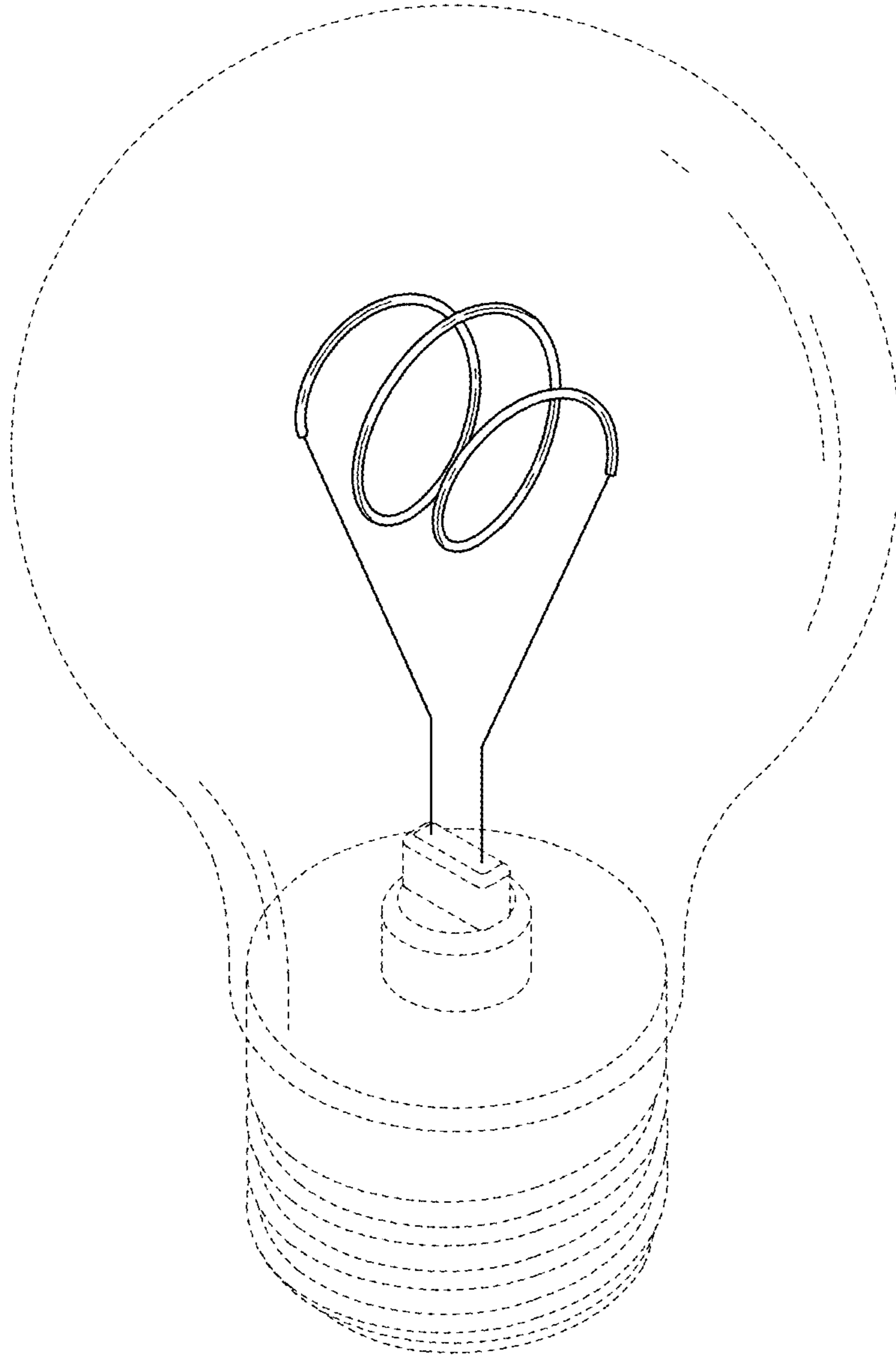


FIG. 8

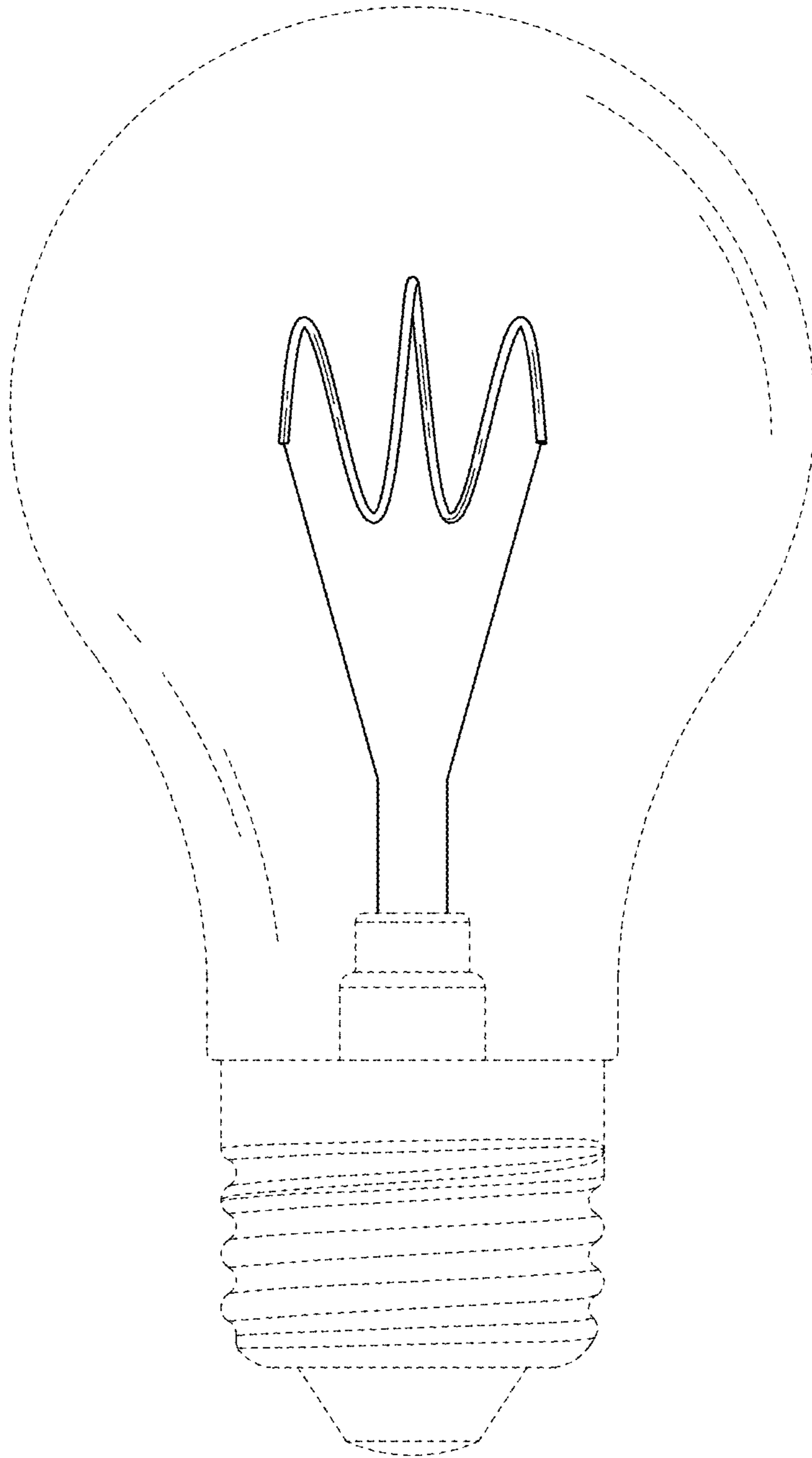


FIG. 9

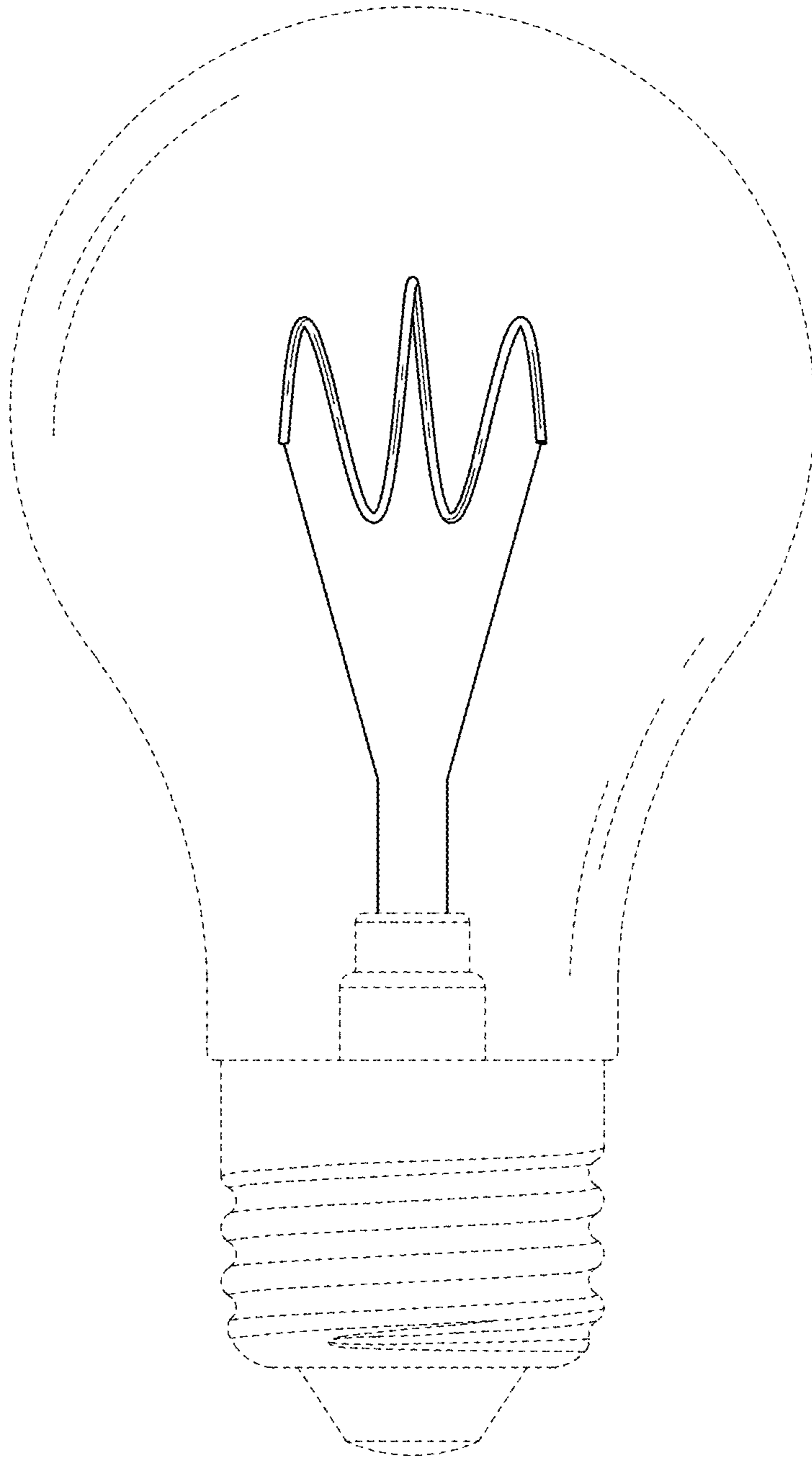


FIG. 10

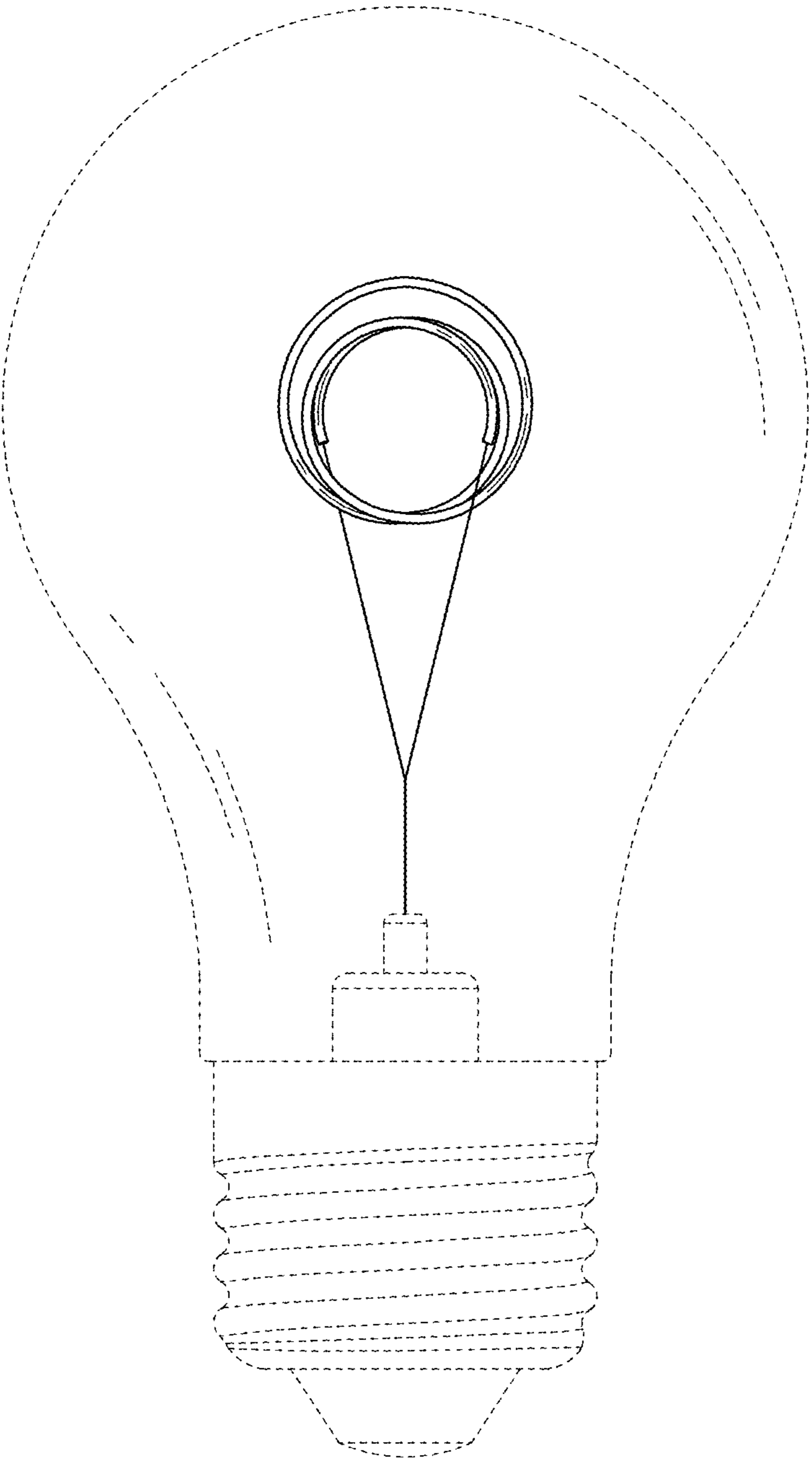


FIG. 11

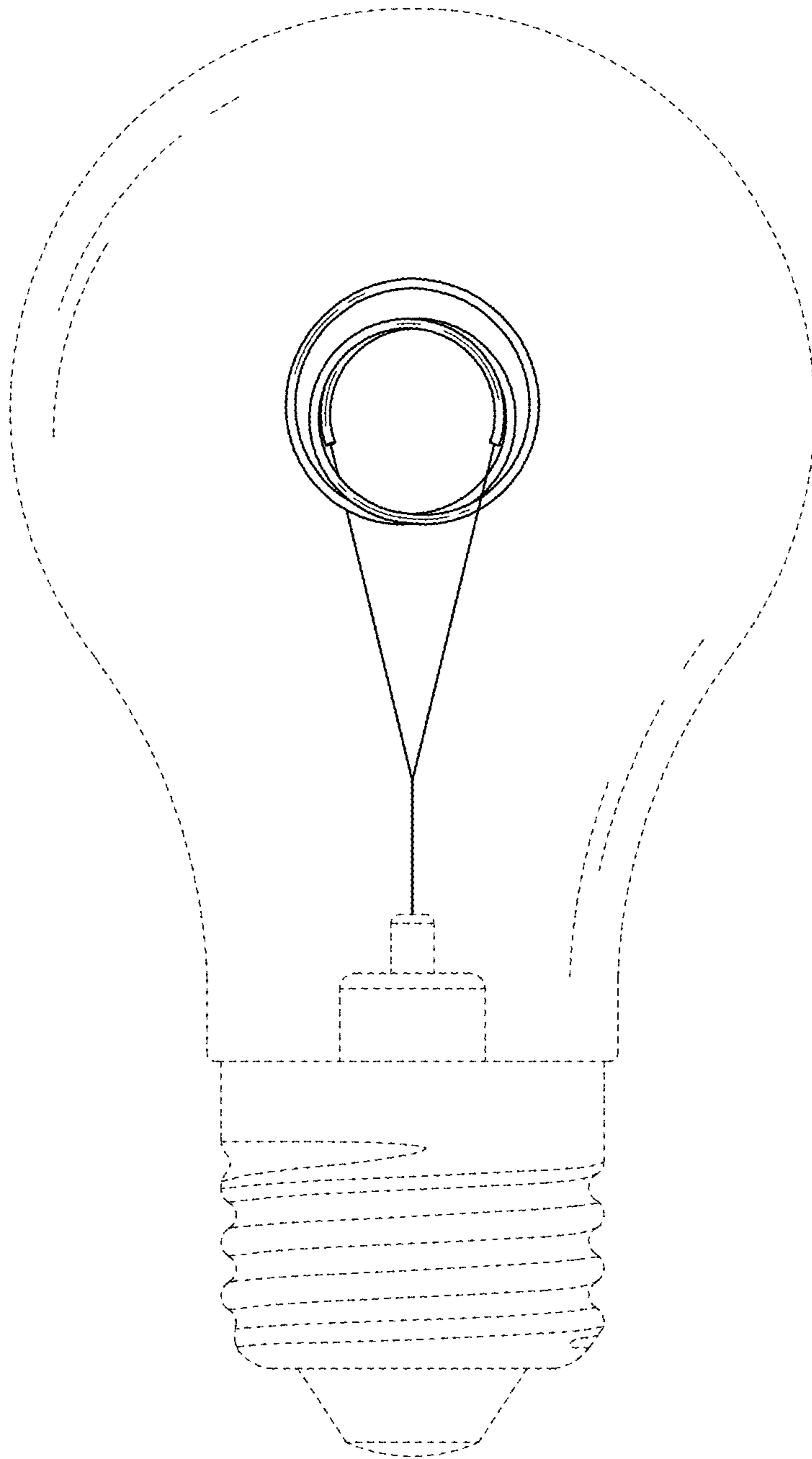


FIG. 12

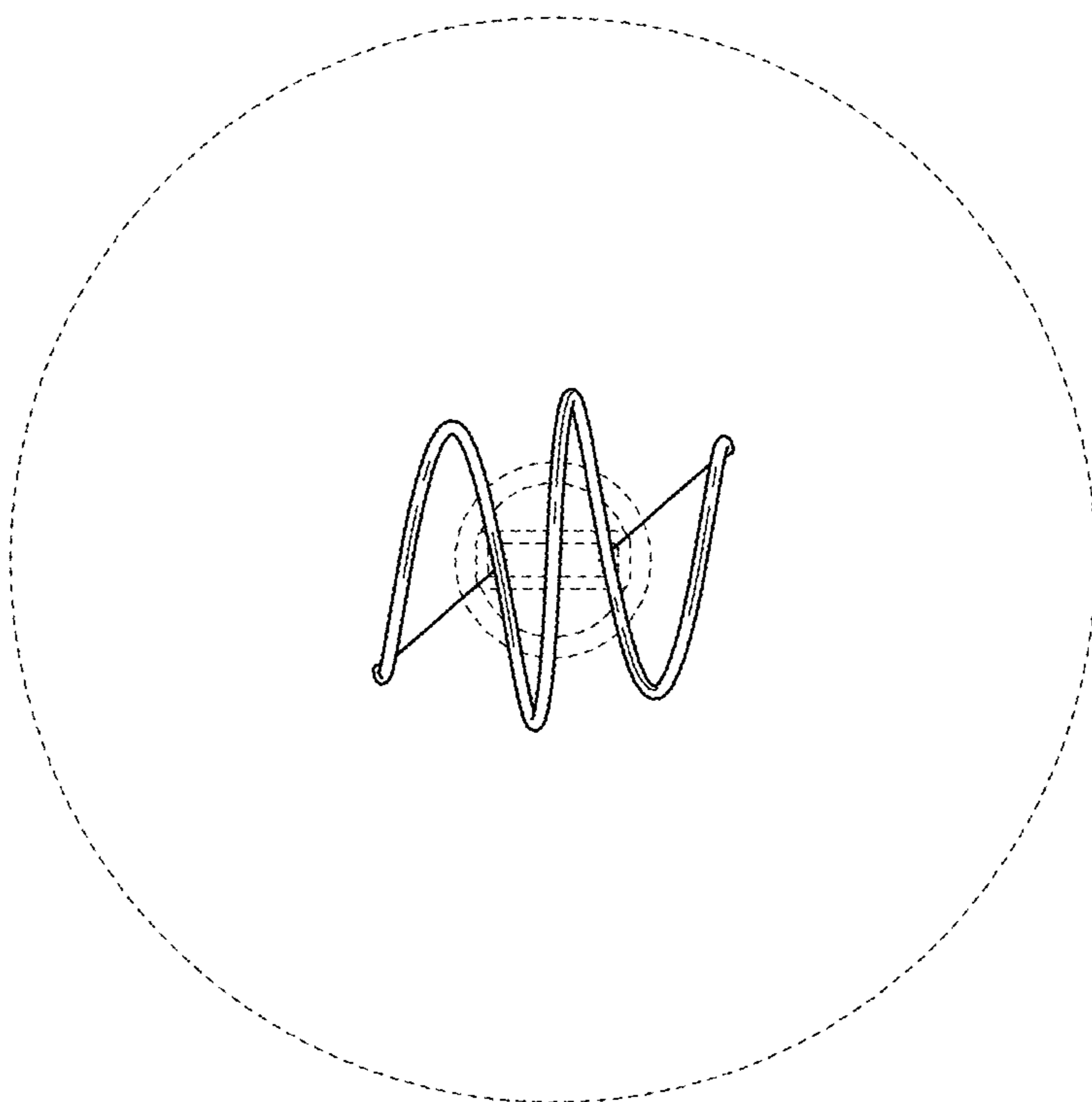


FIG. 13

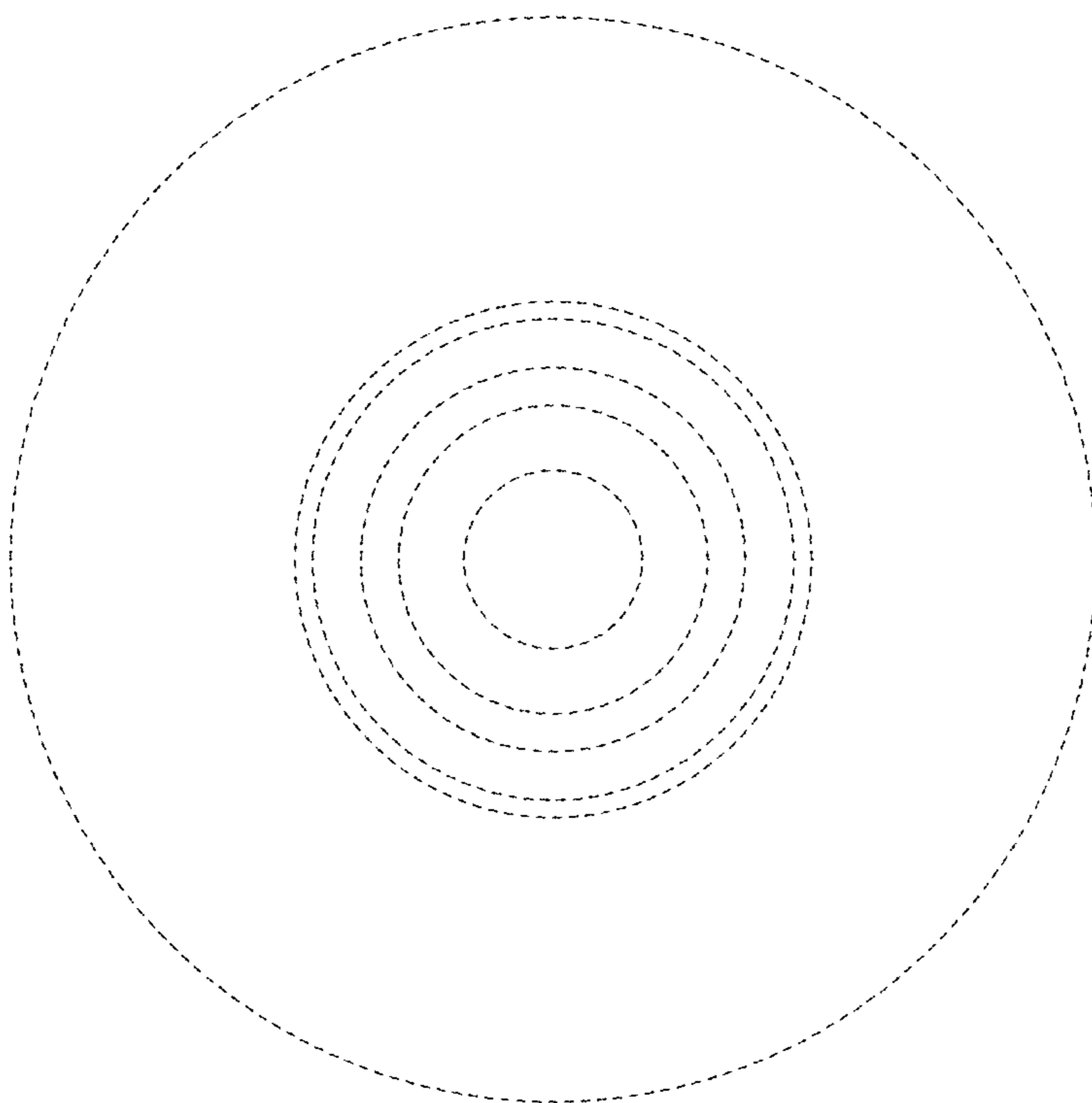


FIG. 14