



US00D908250S

(12) **United States Design Patent**
Xu

(10) **Patent No.:** **US D908,250 S**
(45) **Date of Patent:** **** Jan. 19, 2021**

- (54) **TRANSFORMABLE LED LIGHT**
- (71) Applicant: **Shenzhen Keylux Lighting Co., Ltd,**
Guangdong (CN)
- (72) Inventor: **Zhipin Xu,** Hunan (CN)
- (**) Term: **15 Years**
- (21) Appl. No.: **29/670,281**
- (22) Filed: **Nov. 14, 2018**
- (51) **LOC (13) Cl.** **26-04**
- (52) **U.S. Cl.**
USPC **D26/2**
- (58) **Field of Classification Search**
USPC D26/1-10
CPC H01R 5/00; H01R 13/46; H01R 13/514;
H01R 31/048; H01R 31/02; H01J 5/00;
H01J 5/16; H01J 1/02; H01J 15/00; H01J
5/48; H01J 5/50; H01J 19/54; F21V 5/00;
F21K 9/00; F21K 13/00
See application file for complete search history.

- D731,680 S * 6/2015 Pu D26/1
- D819,839 S * 6/2018 Shalvi D26/2
- D838,389 S * 1/2019 Chen D26/2
- D861,926 S * 10/2019 Lin D26/2

* cited by examiner

Primary Examiner — Marcus A Jackson

(74) *Attorney, Agent, or Firm* — Patent Masters LLC; Rui Wu

(57) **CLAIM**

The ornamental designs of a transformable LED light thereof, as shown and described.

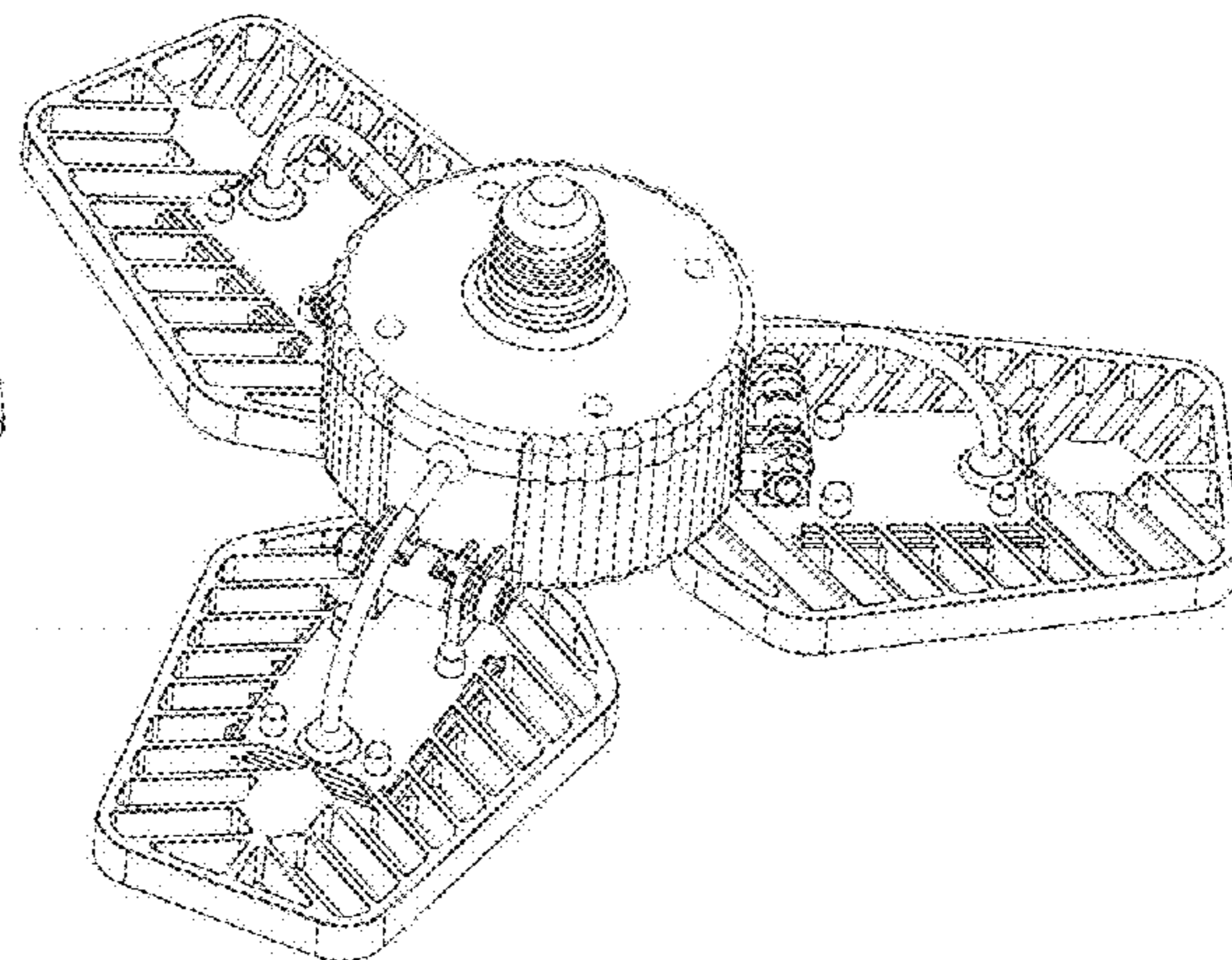
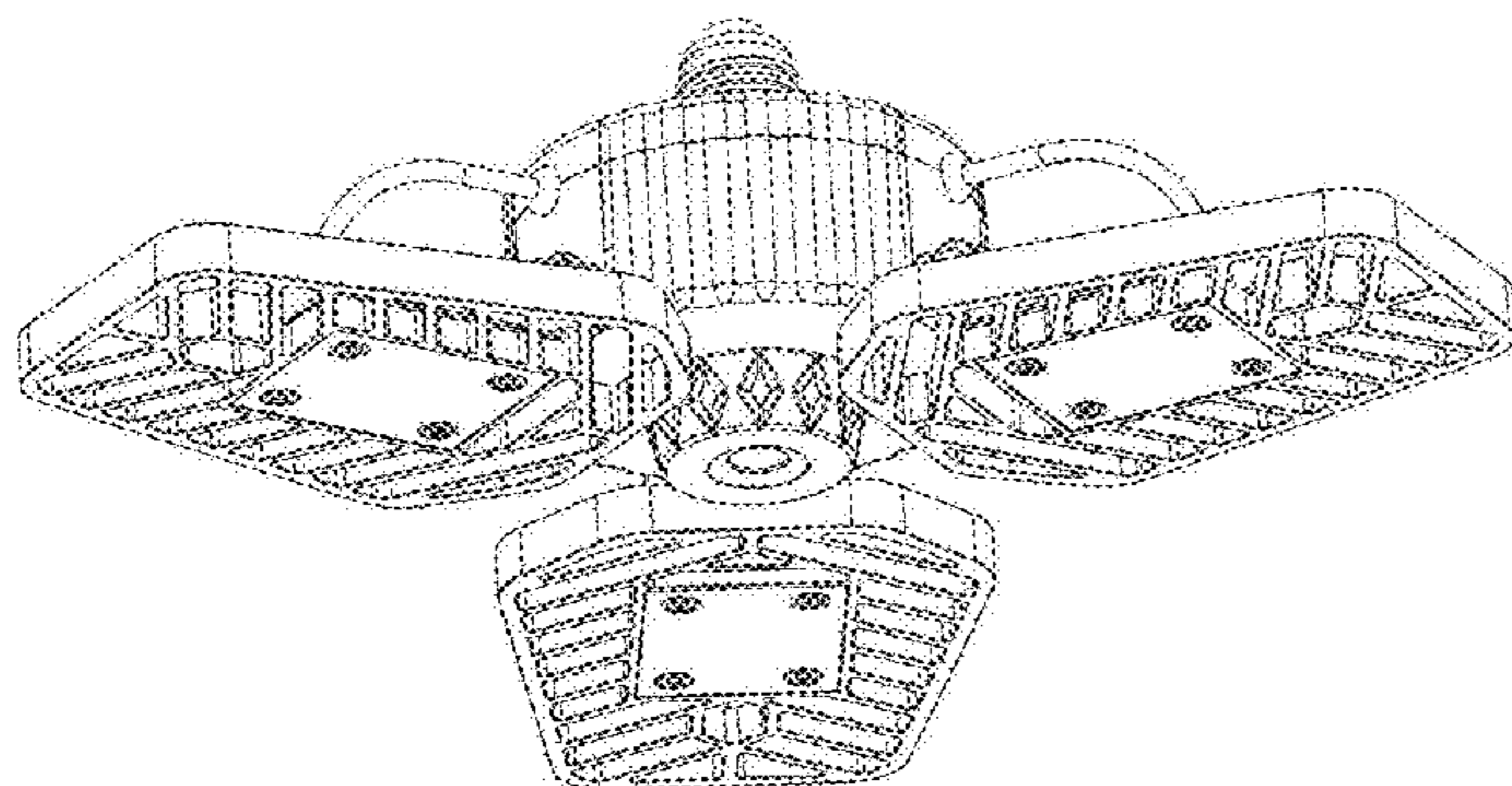
DESCRIPTION

FIG. 1 is a perspective view of a transformable LED light; FIG. 2 is another perspective view of the transformable LED light; FIG. 3 is a front view of the transformable LED light; FIG. 4 is a back view of the transformable LED light; FIG. 5 is a left side view of the transformable LED light; FIG. 6 is a right side view of the transformable LED light; FIG. 7 is a top view of the transformable LED light; and, FIG. 8 is a bottom view of the transformable LED light.

1 Claim, 4 Drawing Sheets

(56) **References Cited**
U.S. PATENT DOCUMENTS

- D669,200 S * 10/2012 Chen D26/2
- D683,867 S * 6/2013 Rioux D26/2



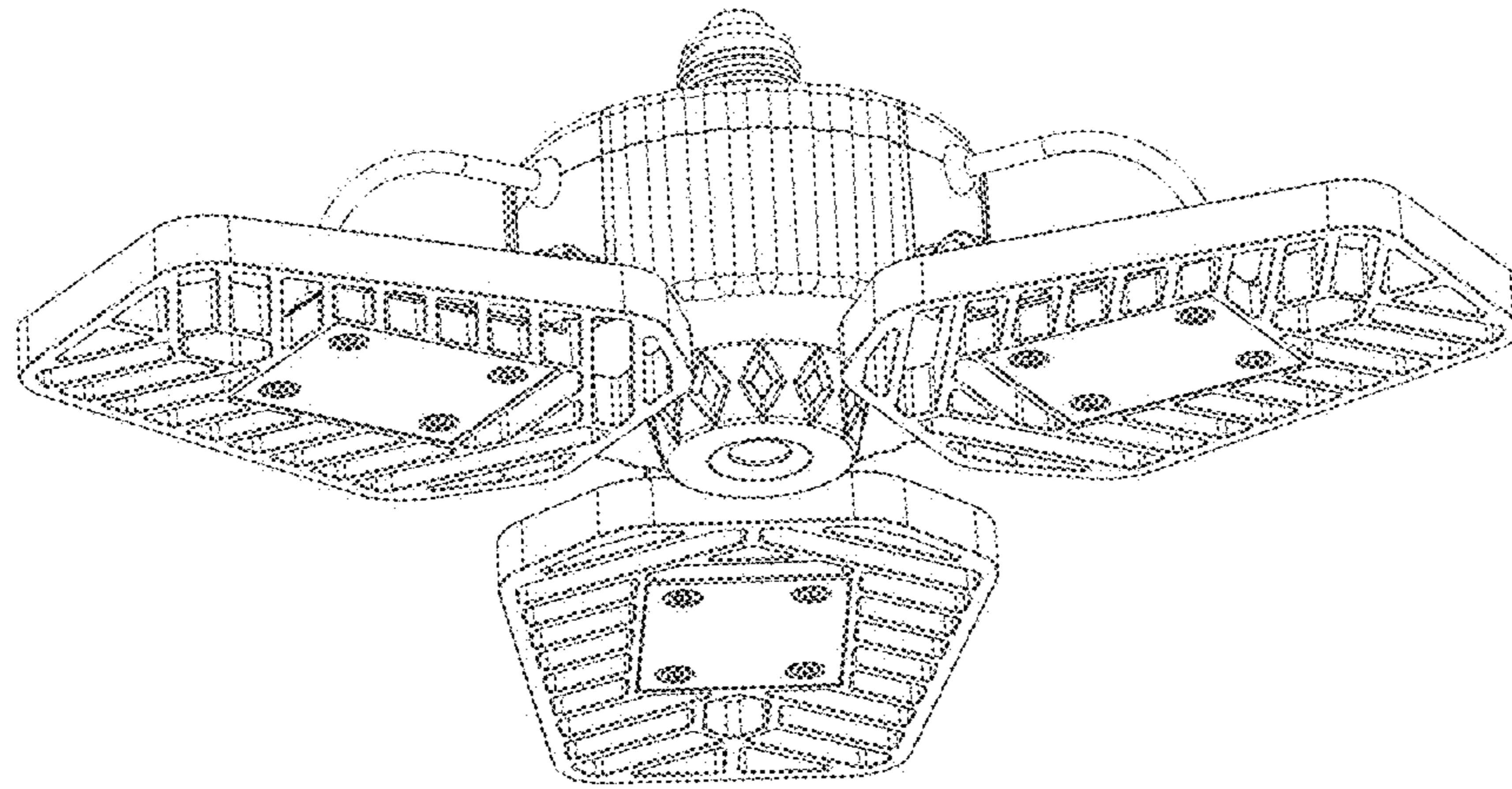


Figure 1

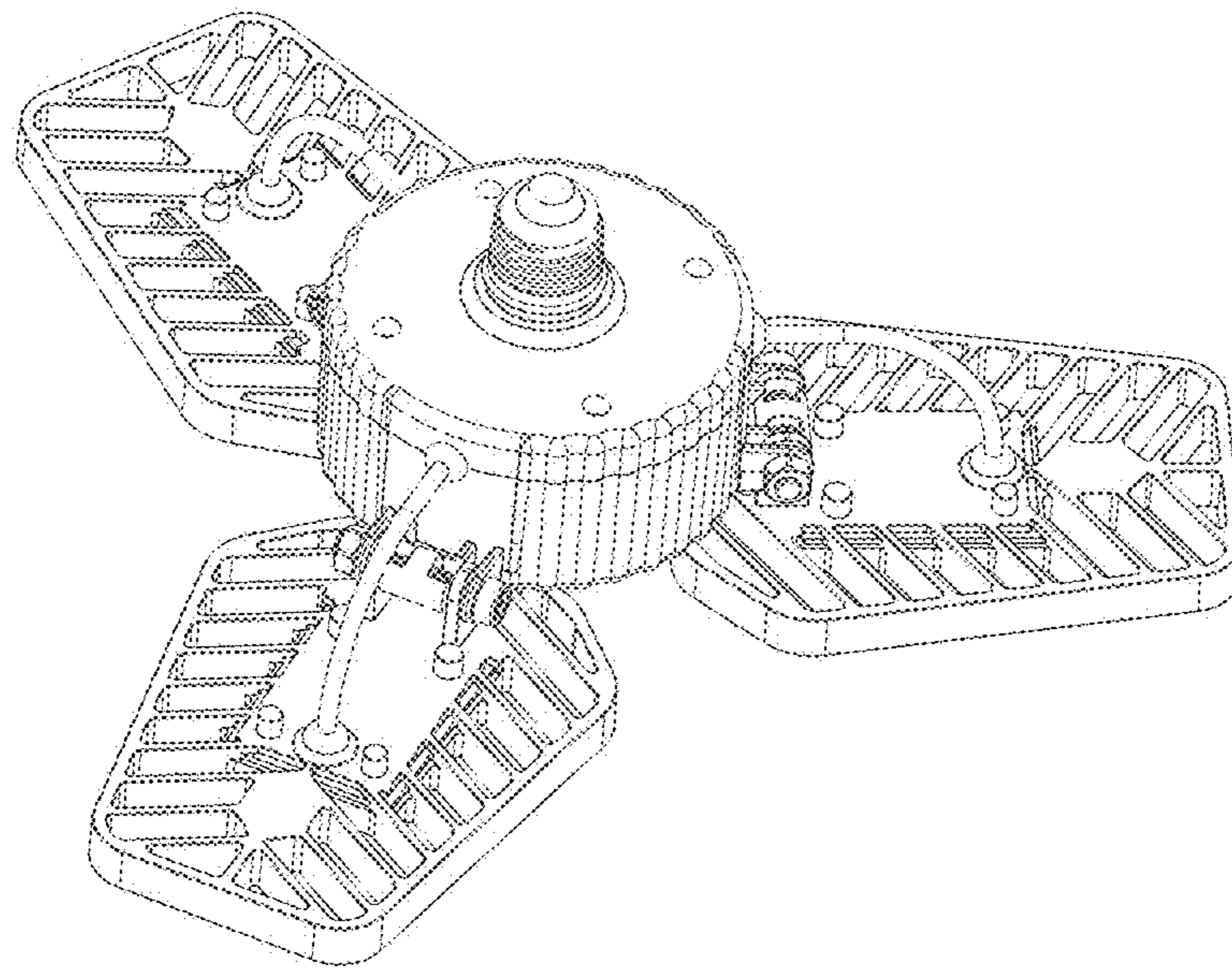


Figure 2

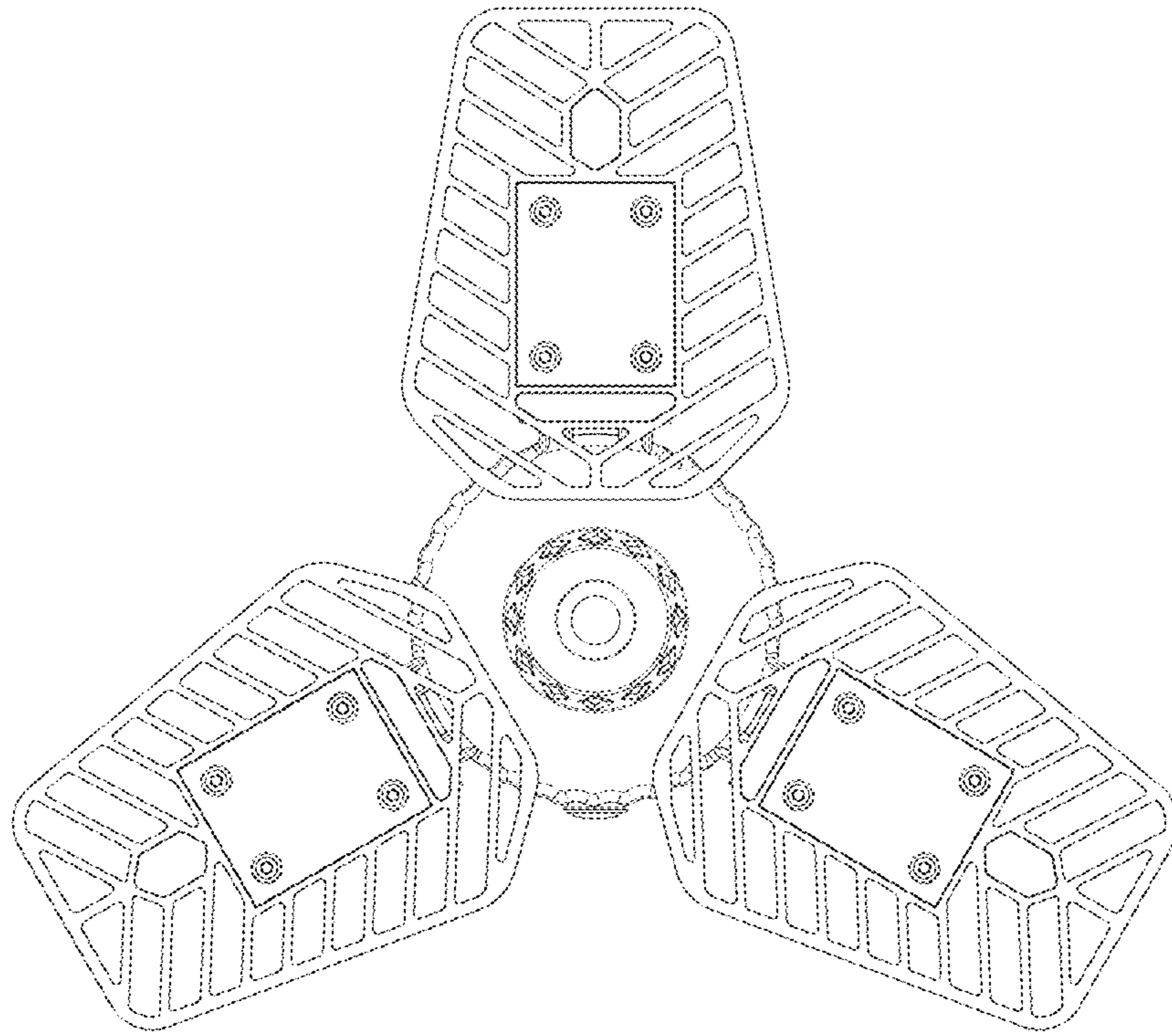


Figure 3

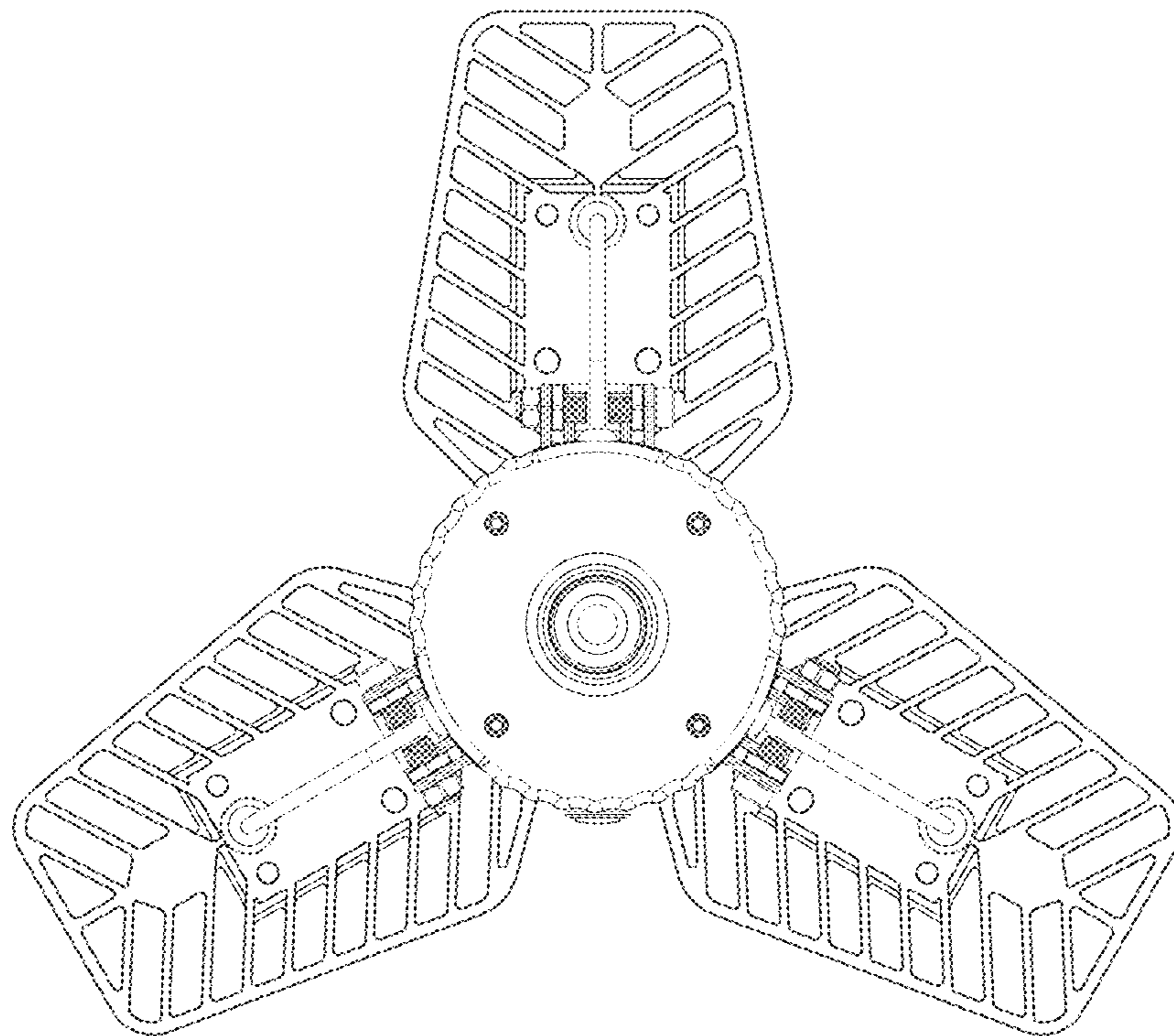


Figure 4

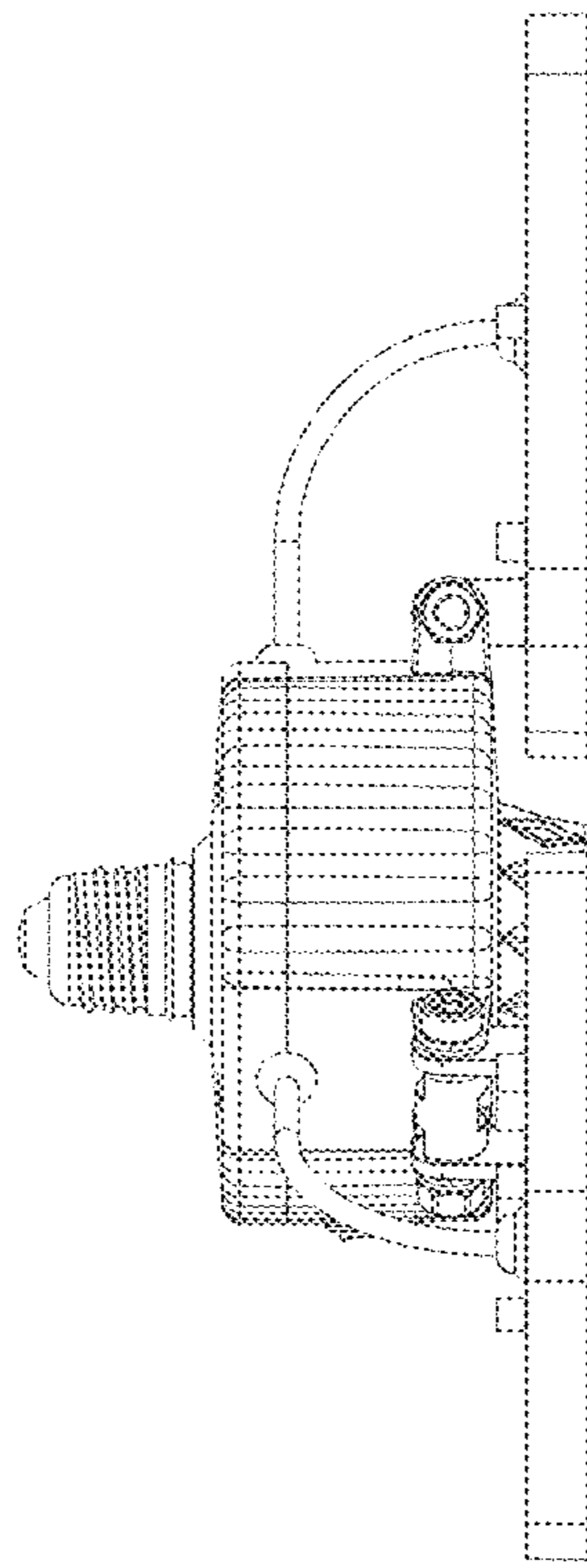


Figure 5

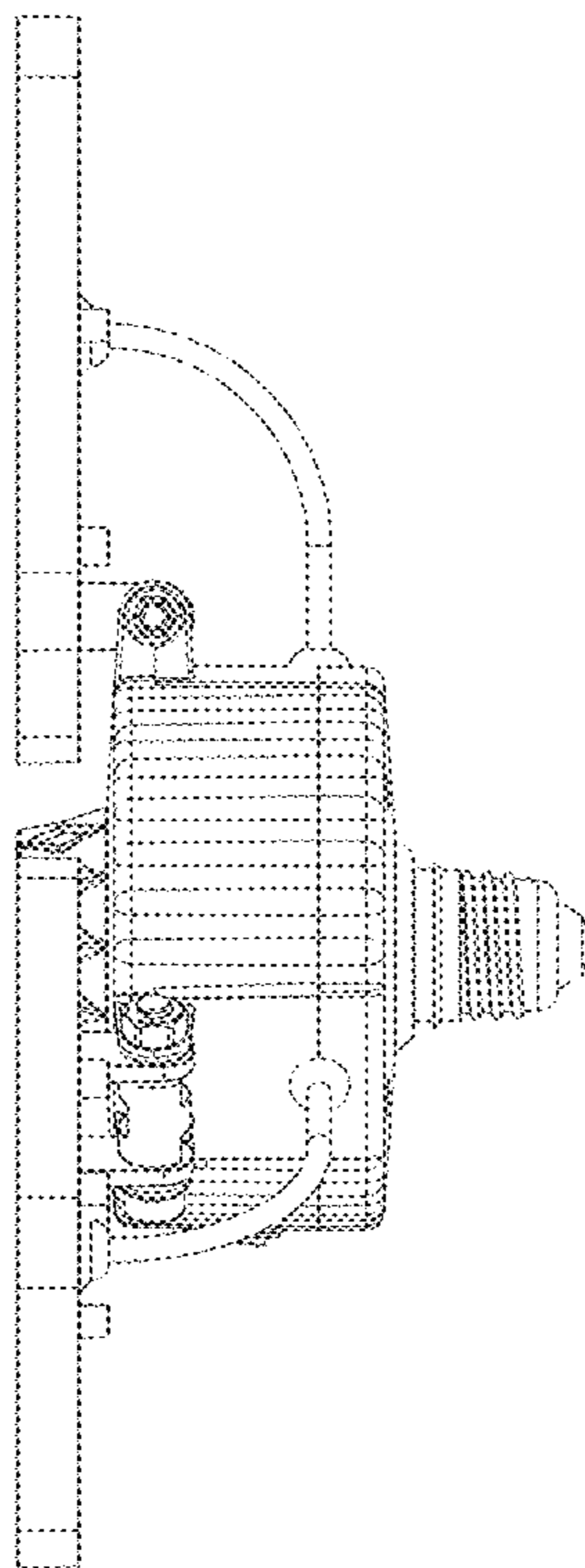


Figure 6

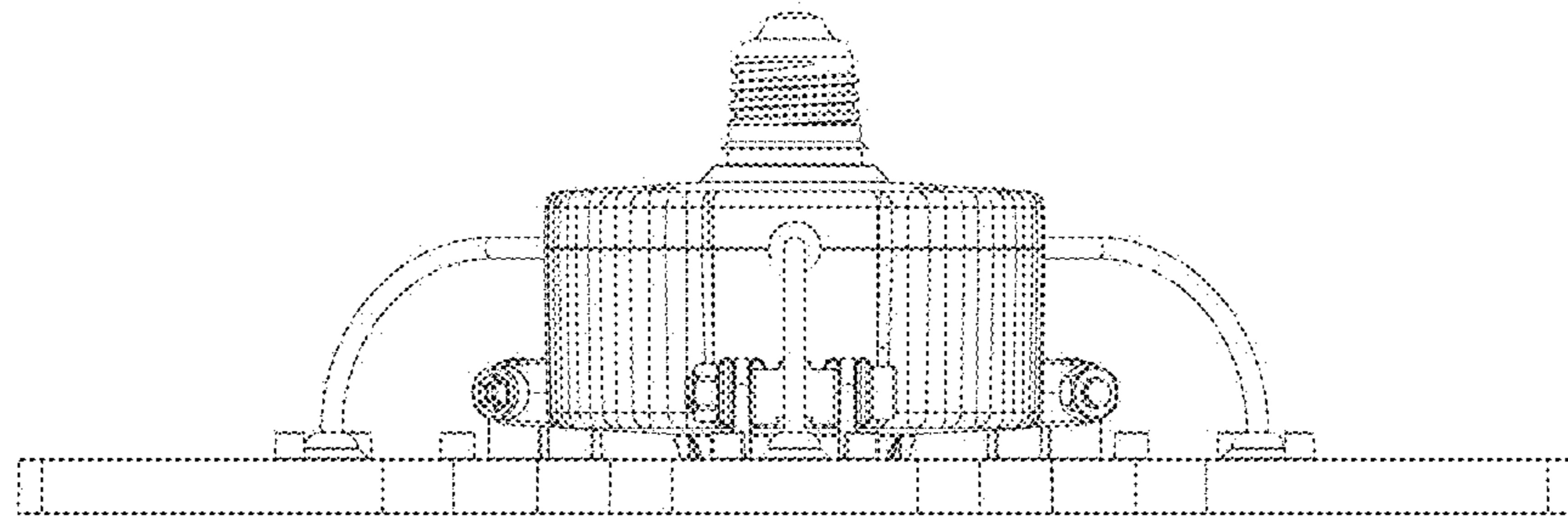


Figure 7

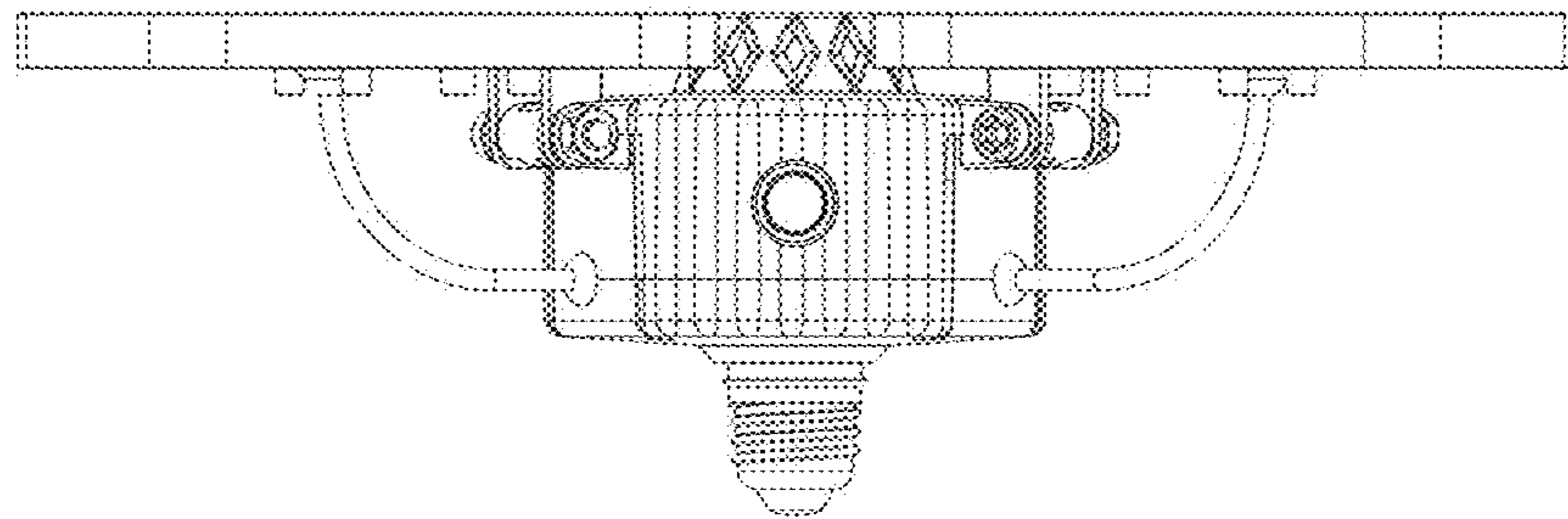


Figure 8