



US00D908247S

(12) **United States Design Patent** (10) **Patent No.:** **US D908,247 S**
Wertheim Aymes (45) **Date of Patent:** **** Jan. 19, 2021**

(54) **BUILDING BLOCK ASSEMBLY**
(71) Applicant: **SMARTSTONE HOLDINGS (PTY) LTD.**, Midrand (ZA)
(72) Inventor: **David Carmichael Alexander Wertheim Aymes**, Randburg (ZA)
(73) Assignee: **SMARTSTONE HOLDINGS (PTY) LTD.**, Midrand (ZA)

(**) Term: **15 Years**
(21) Appl. No.: **29/669,626**
(22) Filed: **Nov. 9, 2018**
(51) **LOC (13) Cl.** **25-01**
(52) **U.S. Cl.**
USPC **D25/113**
(58) **Field of Classification Search**
USPC D21/484-491, 499-504; D25/102, D25/112-118, 125, 136
CPC E04B 2/32; E04B 2/56; E04B 2/70; E04B 2/702; E04B 2002/0208; E21F 17/103
See application file for complete search history.

(56) **References Cited**
U.S. PATENT DOCUMENTS
2,749,739 A * 6/1956 Zagray B28B 7/0079 52/286
D301,063 S * 5/1989 Risi D25/113
D305,938 S * 2/1990 Risi D25/113
D403,785 S * 1/1999 Risi D25/113
D512,162 S * 11/2005 Risi D25/113
D516,734 S * 3/2006 Keys D25/113
D774,661 S * 12/2016 Malpesa Guerrero D25/113

(Continued)
FOREIGN PATENT DOCUMENTS
KR 300863629.0000 * 7/2016

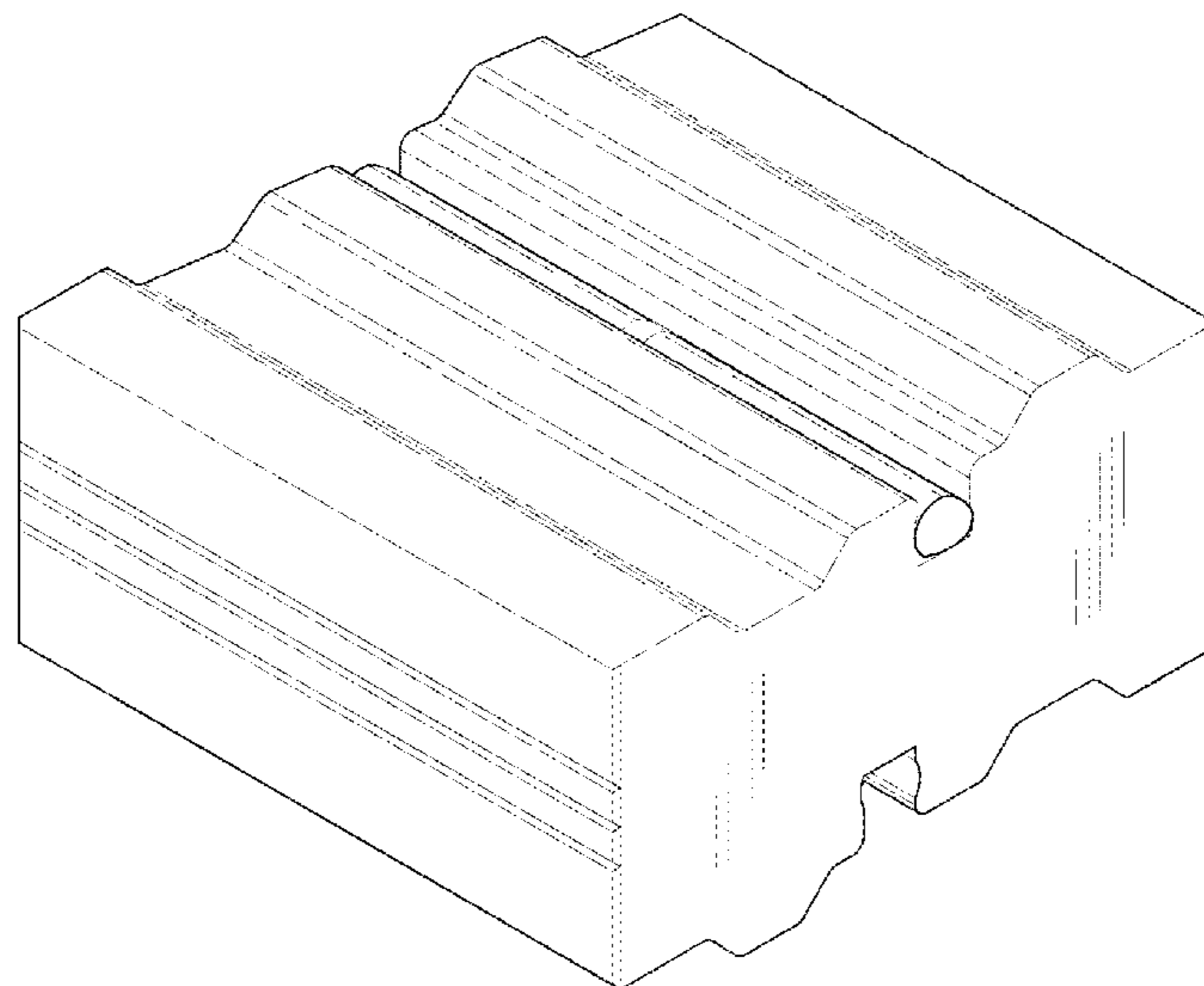
Primary Examiner — Leanne Was-Englehart

(74) *Attorney, Agent, or Firm* — Foley Hoag LLP; Dana M. Gordon; Rajesh Vallabh

(57) **CLAIM**
The ornamental design of a building block assembly, as shown and described, wherein a portion between break lines of a symbolic break forms no part of the claimed design.

DESCRIPTION
FIG. 1 is a three-dimensional view of the building block assembly showing my new design;
FIG. 2 is another three-dimensional view of the building block assembly of FIG. 1 from a rear perspective;
FIG. 3 is a left side view of the building block assembly of FIG. 1;
FIG. 4 is an opposite right side view of the building block assembly of FIG. 1;
FIG. 5 is a front major end view of the building block assembly of FIG. 1;
FIG. 6 is a rear minor end view of the building block assembly of FIG. 1;
FIG. 7 is a top view of the building block assembly of FIG. 1;
FIG. 8 is a bottom view of the building block assembly of FIG. 1;
FIG. 9 is three-dimensional view of the retaining bar forming part of the building block assembly of FIG. 1, the retaining bar being shown removed from the building block for clarity of illustration;
FIG. 10 is an end view of the retaining bar of FIG. 9, the retaining bar being shown removed from the building block for clarity of illustration; and,
FIG. 11 is a side view of the retaining bar of FIG. 9, the retaining bar being shown removed from the building block for clarity of illustration.
In the figures, the complementary retaining bar has been shown with a symbolic break. The portion between the break lines of the symbolic break forms no part of the claimed design.

1 Claim, 9 Drawing Sheets



(56)

References Cited

U.S. PATENT DOCUMENTS

D833,645 S * 11/2018 Mohamed D25/113
D845,515 S * 4/2019 Ivosevich D25/113

* cited by examiner

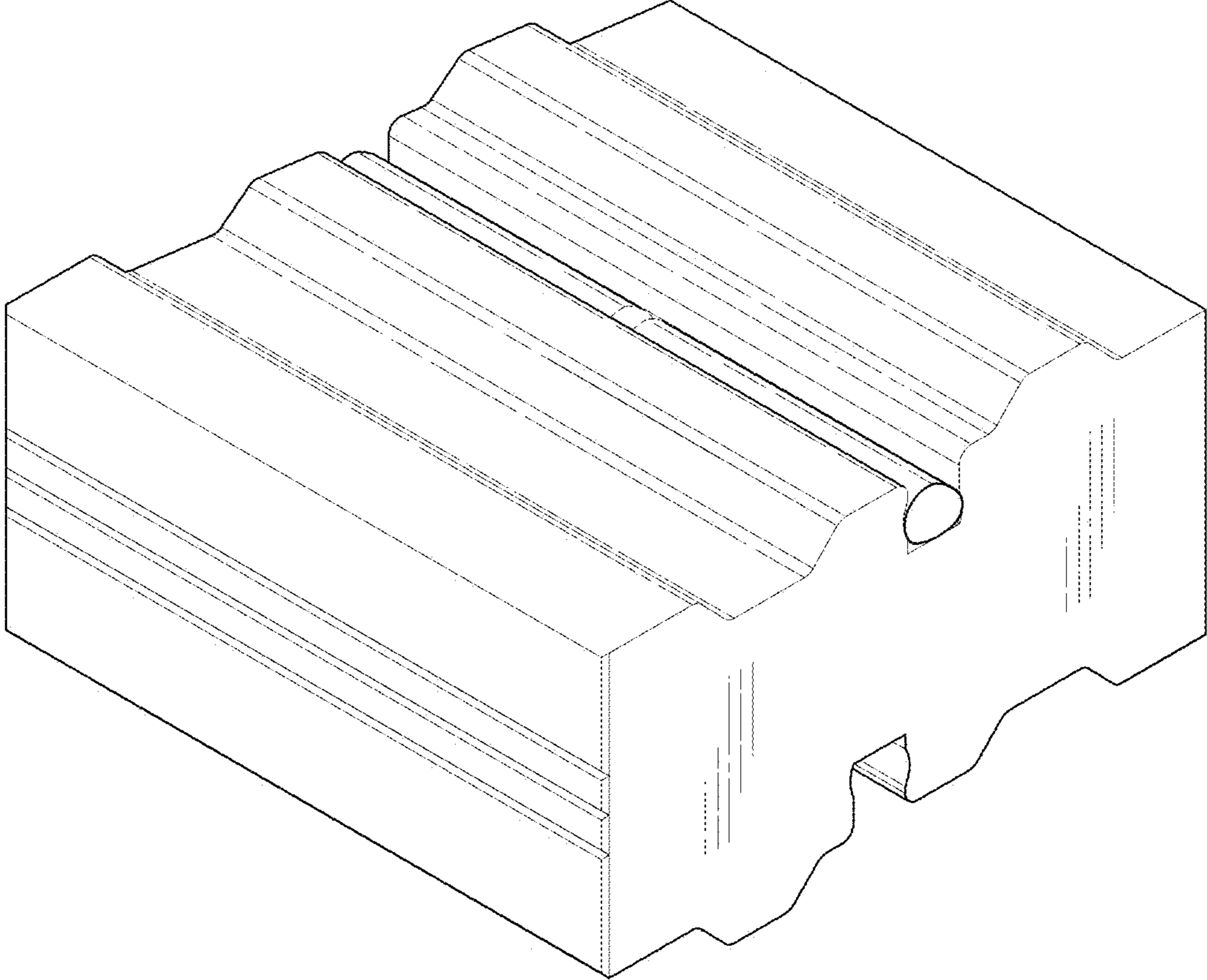


Fig. 1

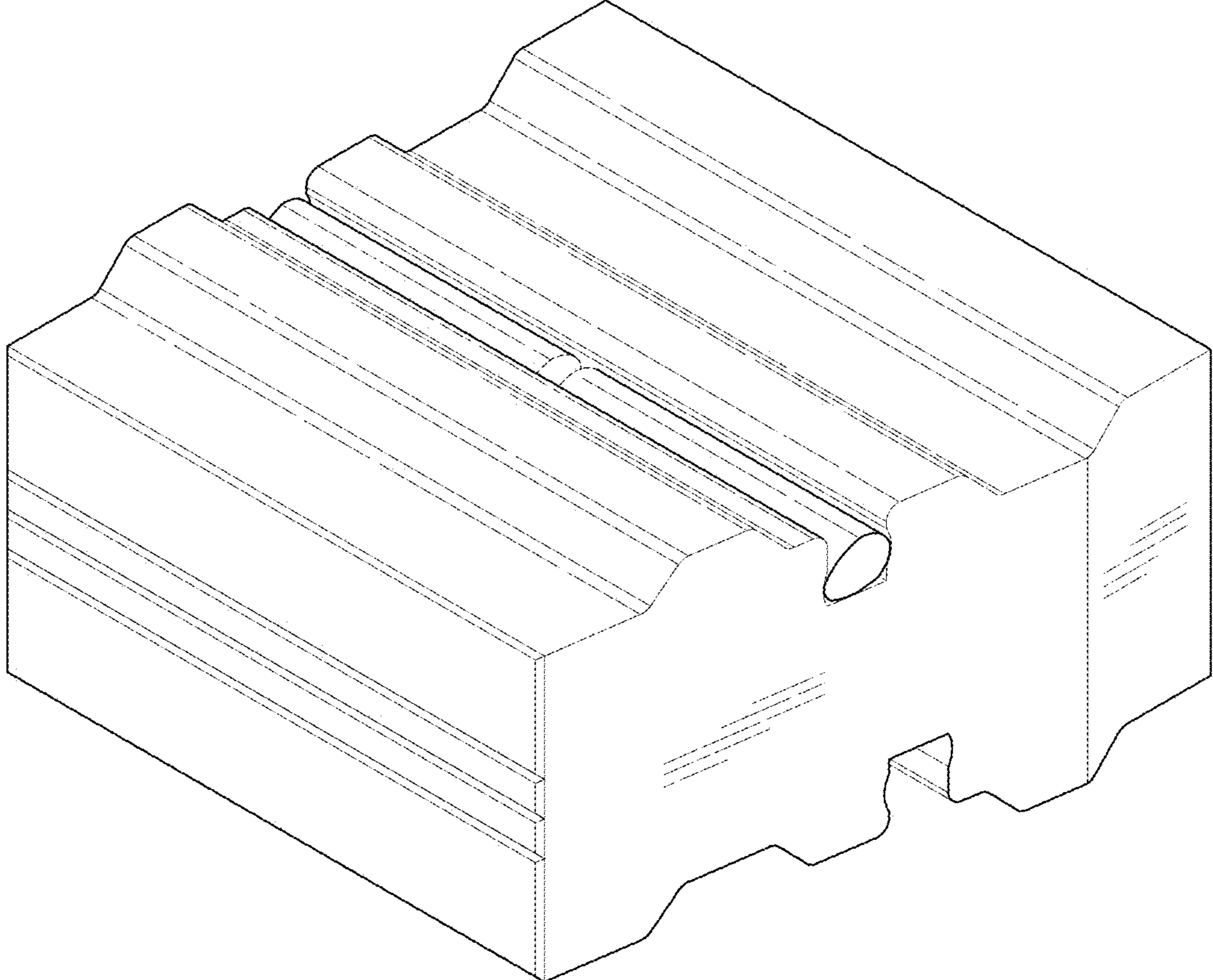


Fig. 2

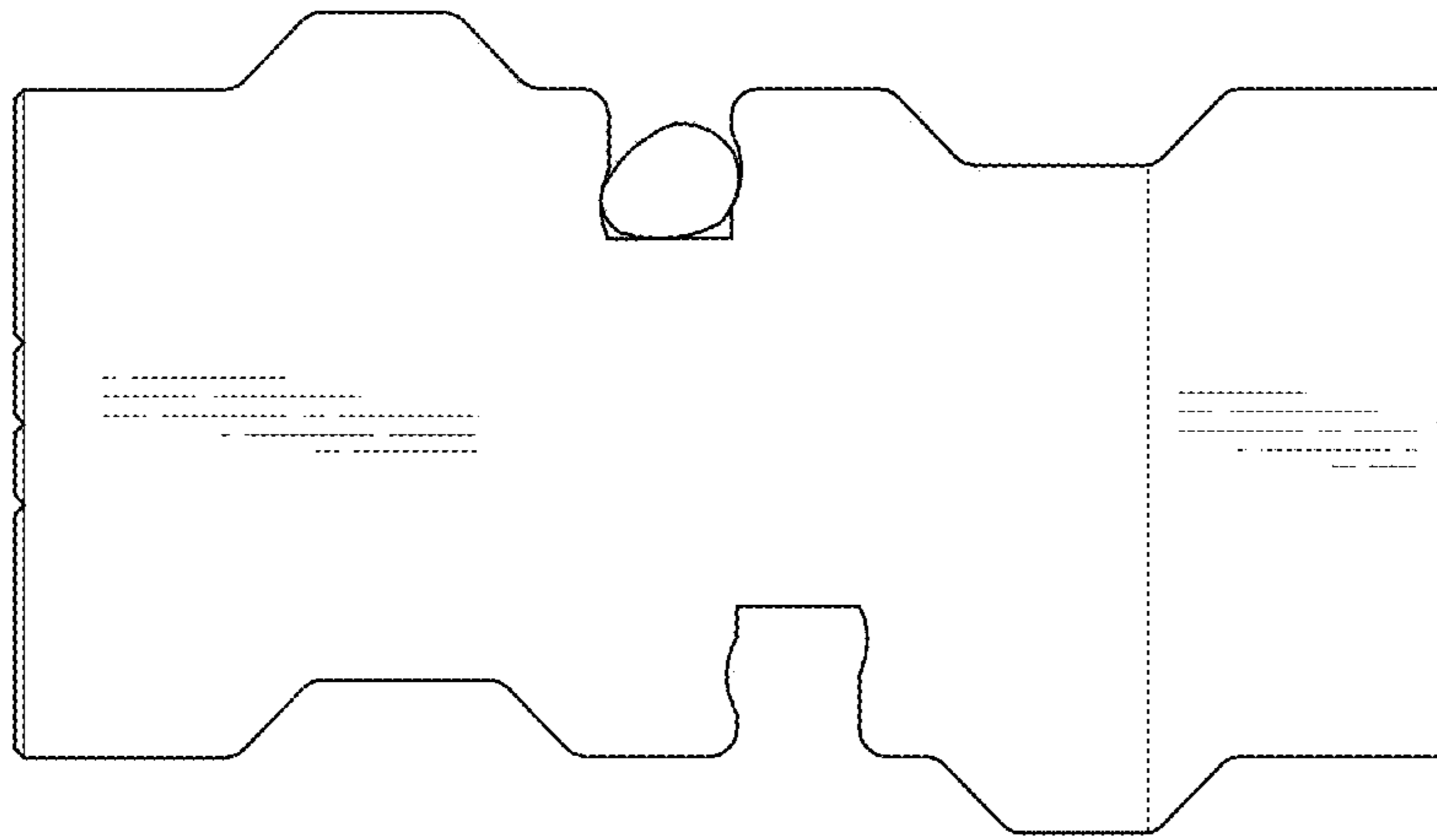


Fig. 3

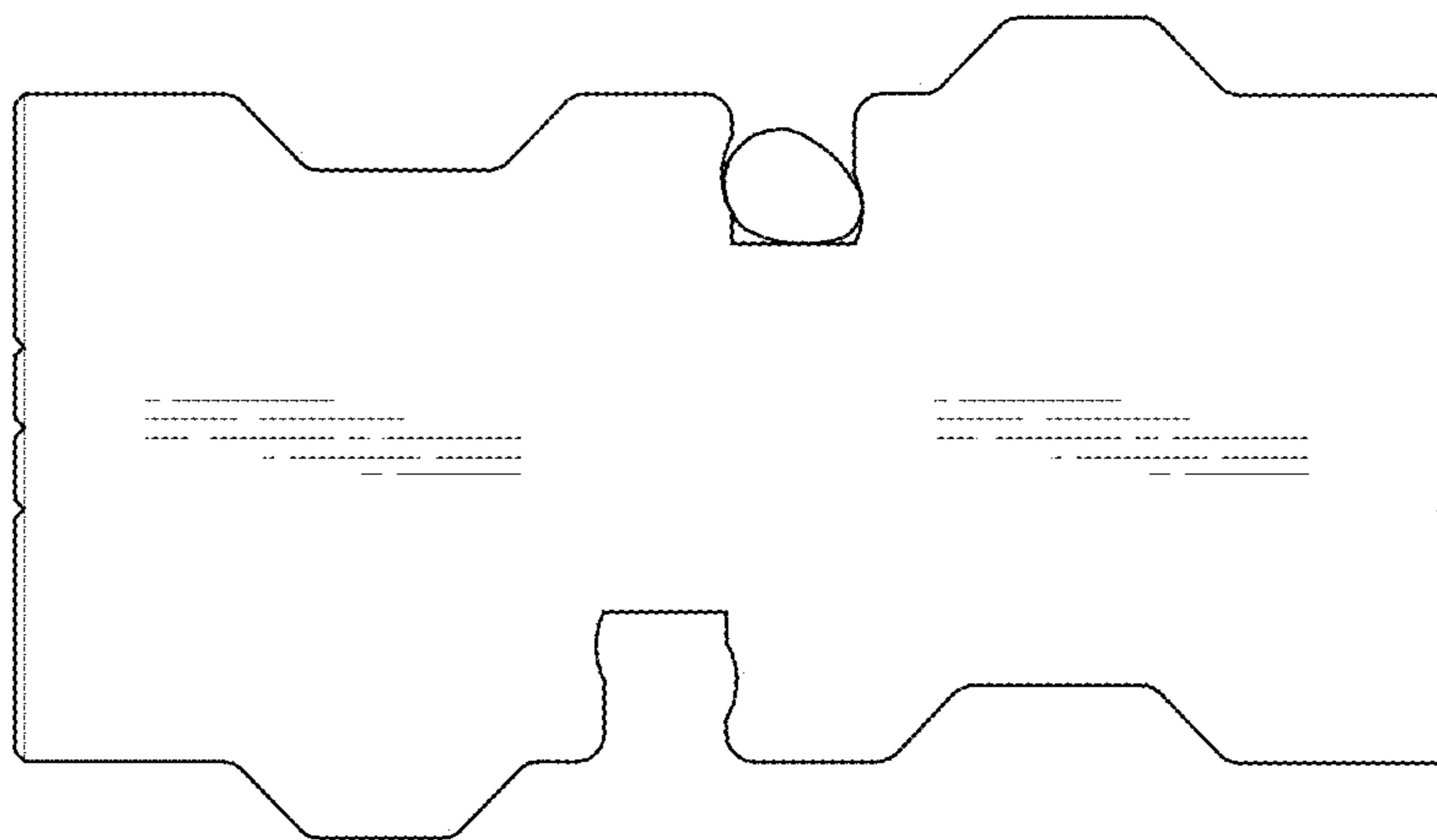


Fig. 4

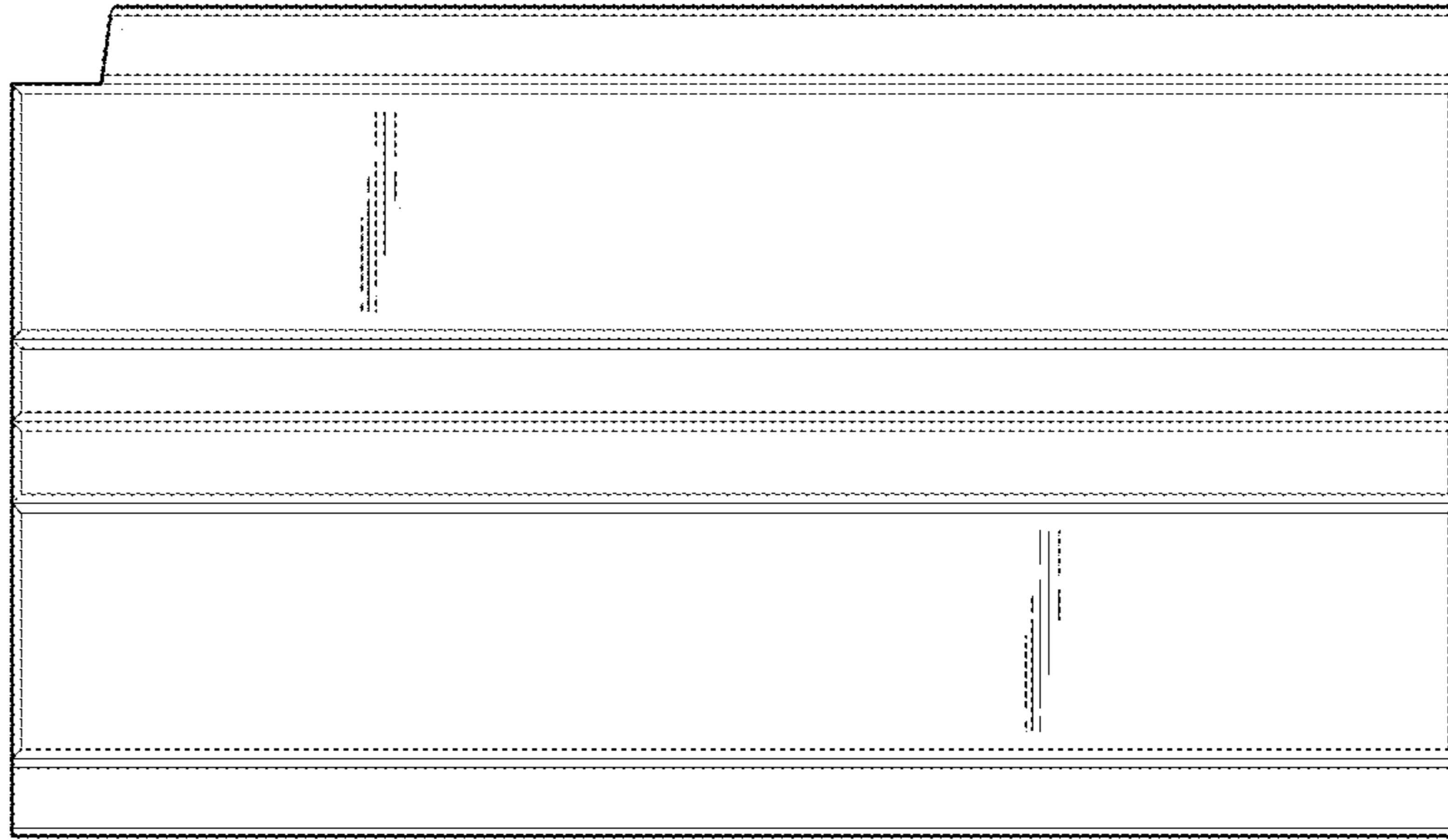


Fig. 5

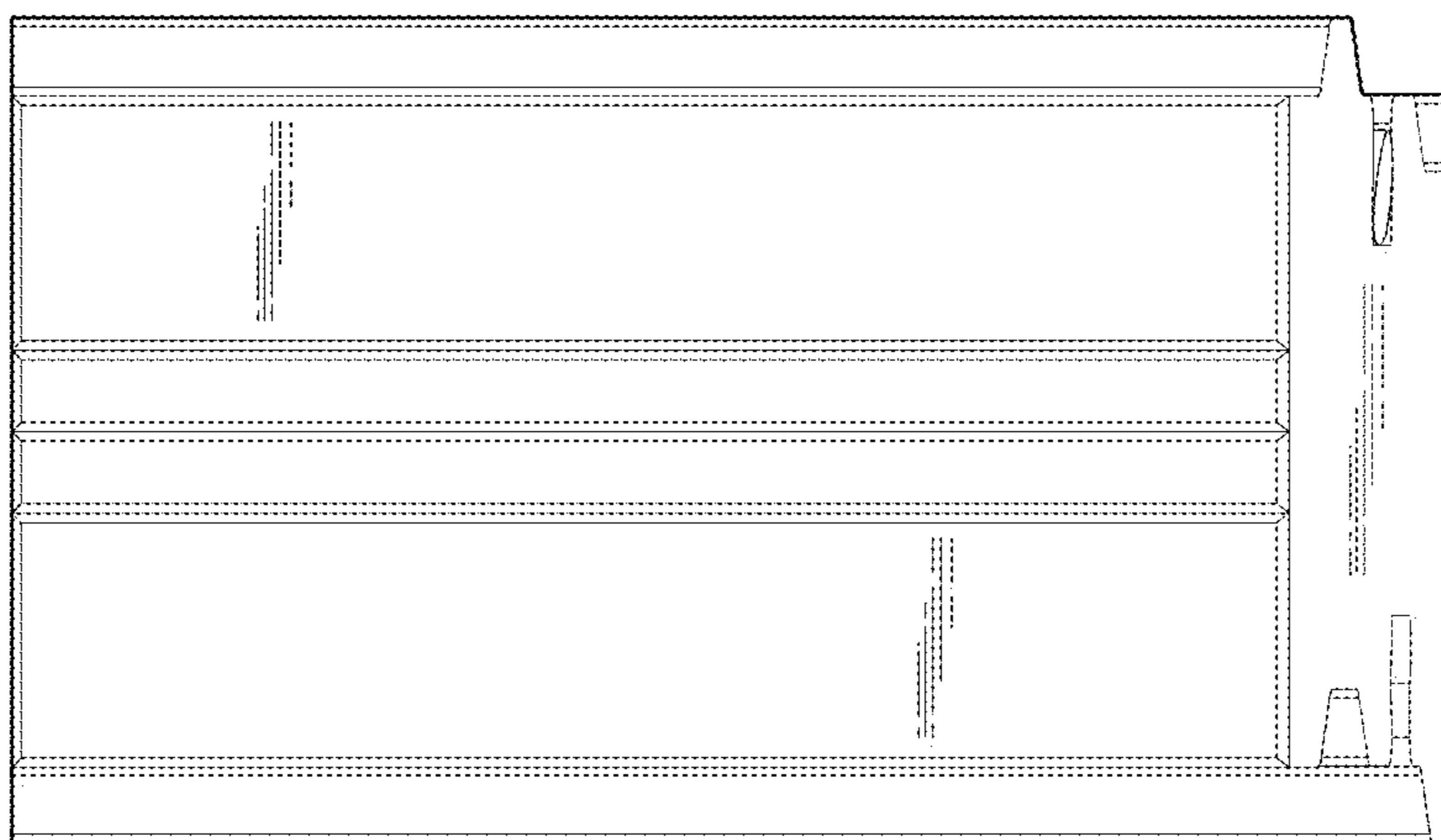


Fig. 6

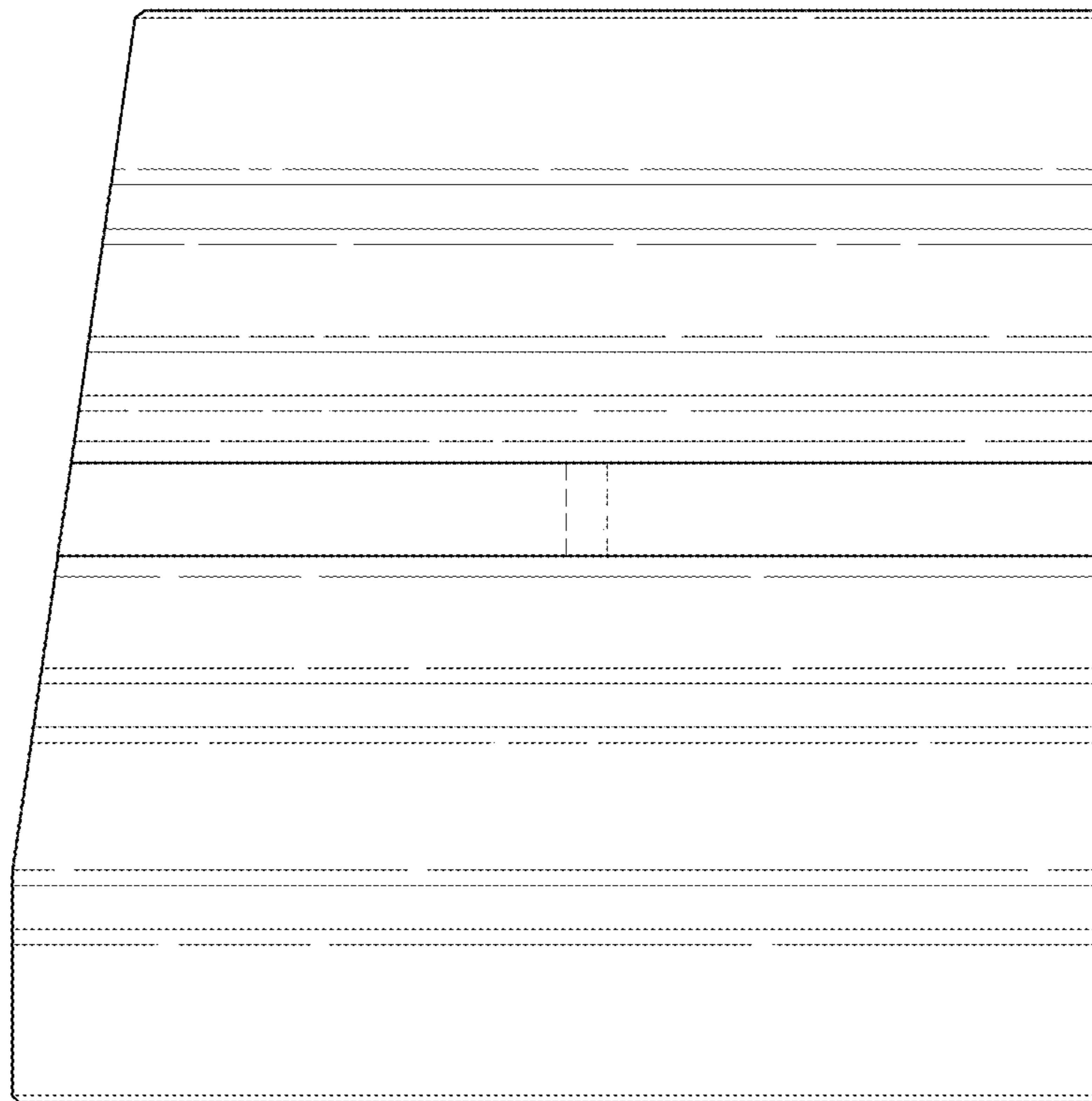


Fig. 7

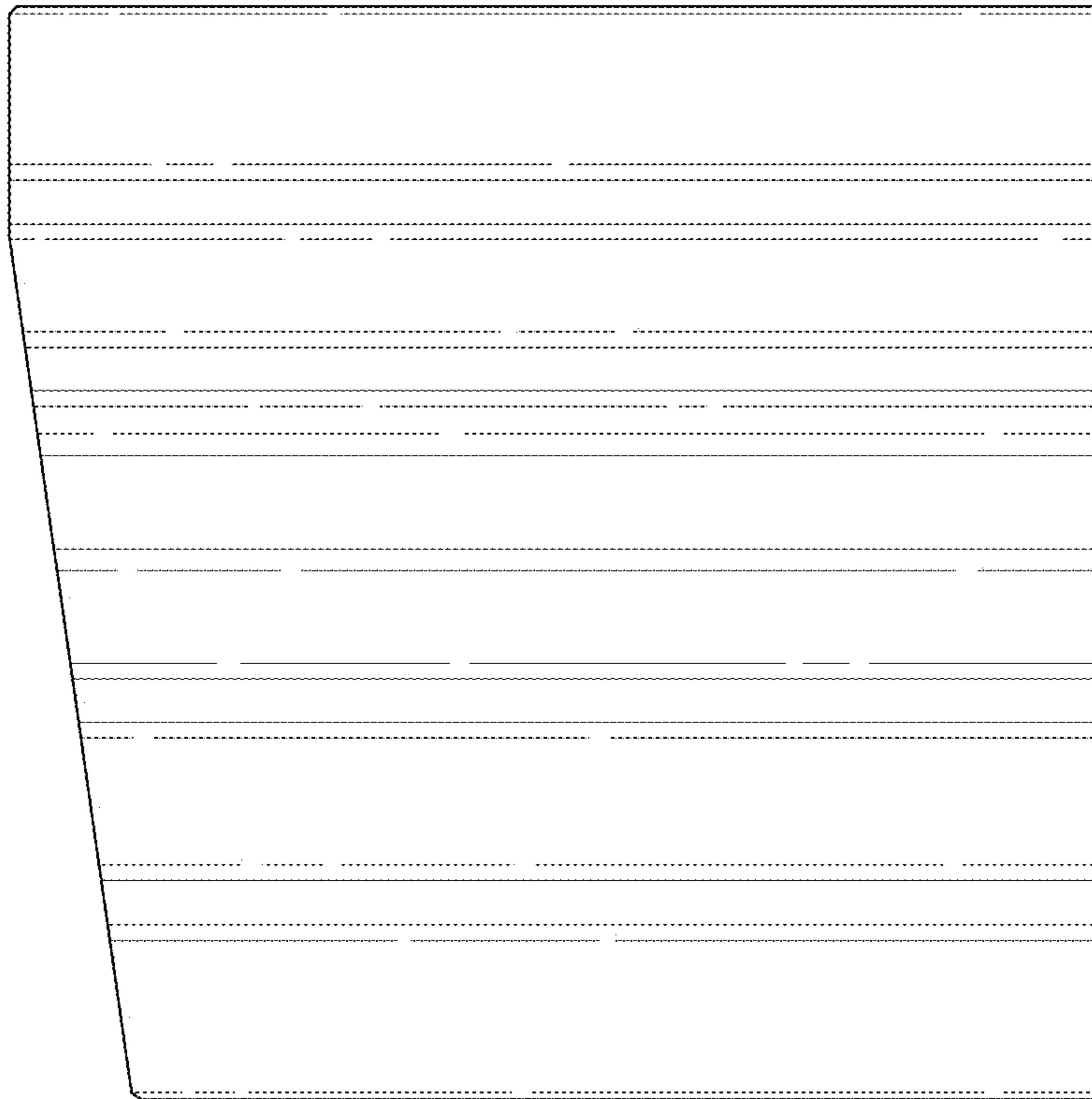


Fig. 8

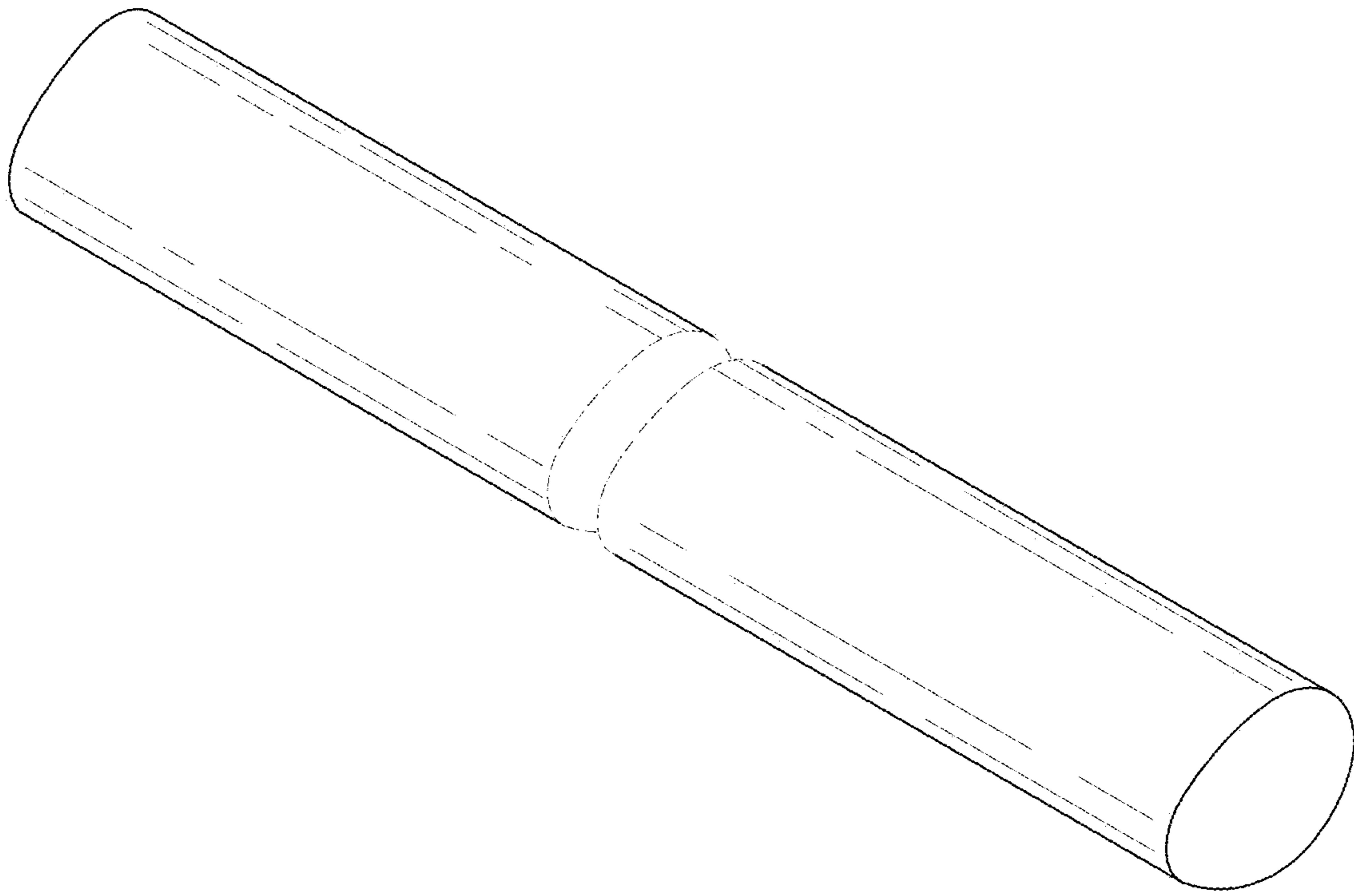


Fig. 9

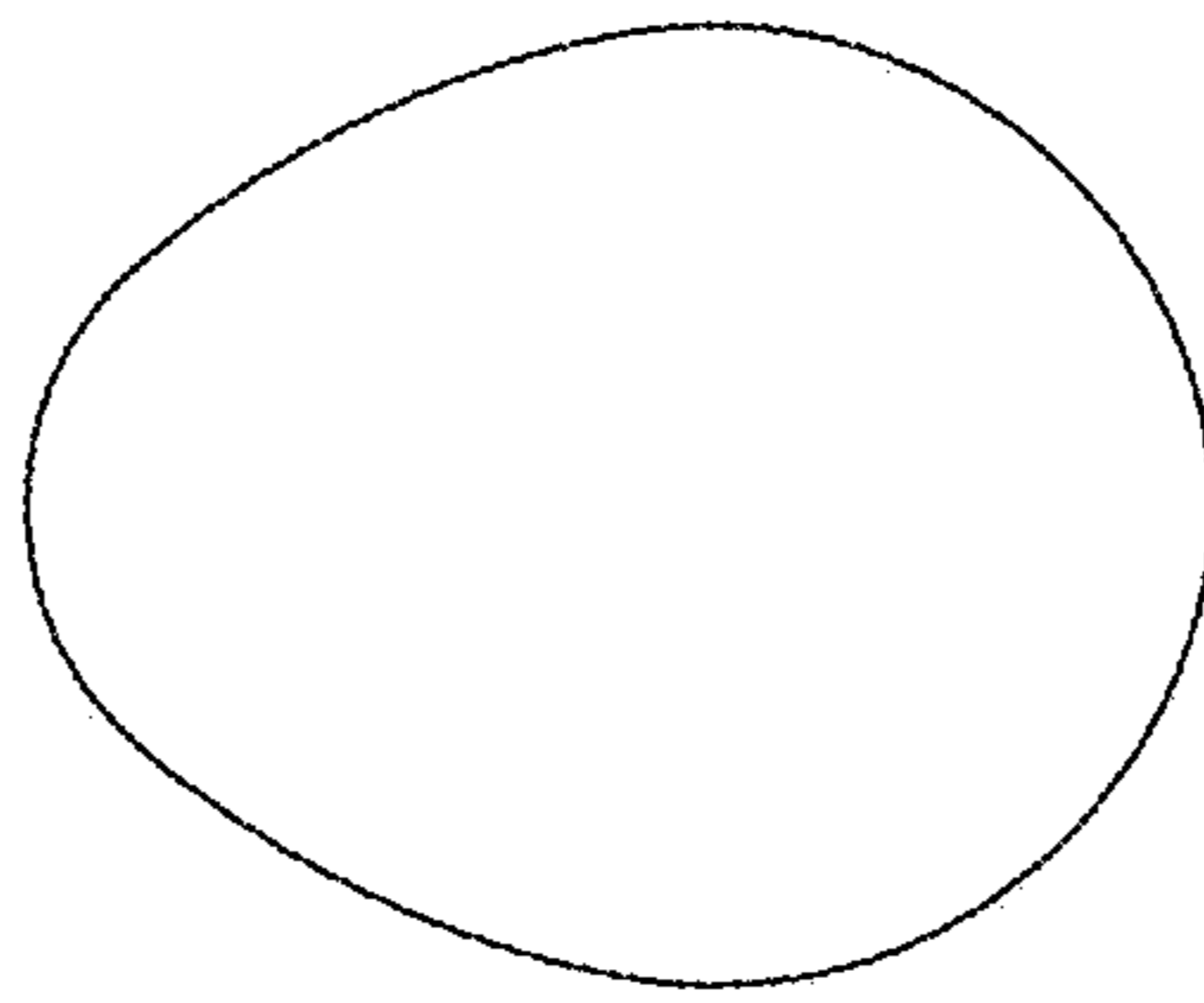


Fig. 10

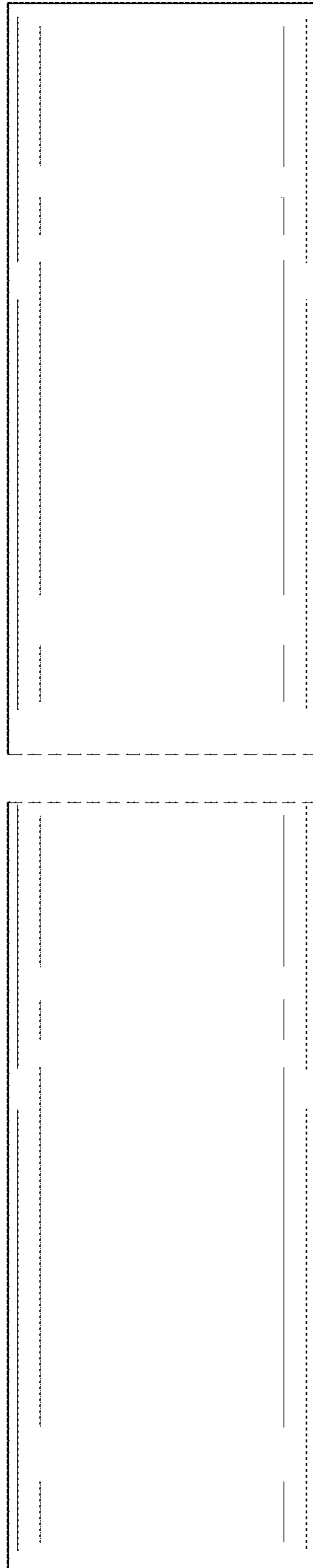


Fig. 11