



US00D908246S

(12) **United States Design Patent**
Travis

(10) **Patent No.:** **US D908,246 S**

(45) **Date of Patent:** **** Jan. 19, 2021**

(54) **CURVED CLEAN ROOM CORNER PIECE**

(71) Applicant: **Travis Cleanair, Inc.**, Loveland, CO (US)

(72) Inventor: **Patrick J. Travis**, Loveland, TX (US)

(73) Assignee: **Travis Cleanair, Inc.**, Loveland, CO (US)

(**) Term: **15 Years**

(21) Appl. No.: **29/712,558**

(22) Filed: **Nov. 8, 2019**

Related U.S. Application Data

(63) Continuation of application No. 29/674,488, filed on Dec. 21, 2018, now abandoned.

(51) **LOC (13) Cl.** **25-01**

(52) **U.S. Cl.**
USPC **D25/61**

(58) **Field of Classification Search**

USPC D8/349, 354, 356, 363, 366, 373, 380,
D8/381, 382, 394, 395; D25/61, 119,
D25/124, 126, 133, 199

CPC E04B 2002/0208; A47B 47/0008; A47B
47/02

See application file for complete search history.

(56) **References Cited**

U.S. PATENT DOCUMENTS

D259,364 S * 5/1981 Poth D25/124
5,066,161 A * 11/1991 Pinney A47B 47/0008
403/172

D359,137 S * 6/1995 Schrader D25/122
D362,509 S * 9/1995 Russell D25/61
D362,726 S * 9/1995 Russell D25/124
D624,804 S * 10/2010 Wellard D8/354
7,823,360 B1 * 11/2010 Cottle E04B 2/42
52/604
D674,916 S * 1/2013 Cetindag D25/61
D683,052 S * 5/2013 Cameron D25/61

* cited by examiner

Primary Examiner — Leanne Was-Englehart

(74) *Attorney, Agent, or Firm* — Cochran Freund & Young LLC; William W. Cochran

(57) **CLAIM**

The ornamental design for a curved clean room corner piece, as shown and described.

DESCRIPTION

FIG. 1 is a front isometric view of a curved clean room corner piece.

FIG. 2 is a right front side view of the curved clean room corner piece.

FIG. 3 is a left front side view of the curved clean room corner piece.

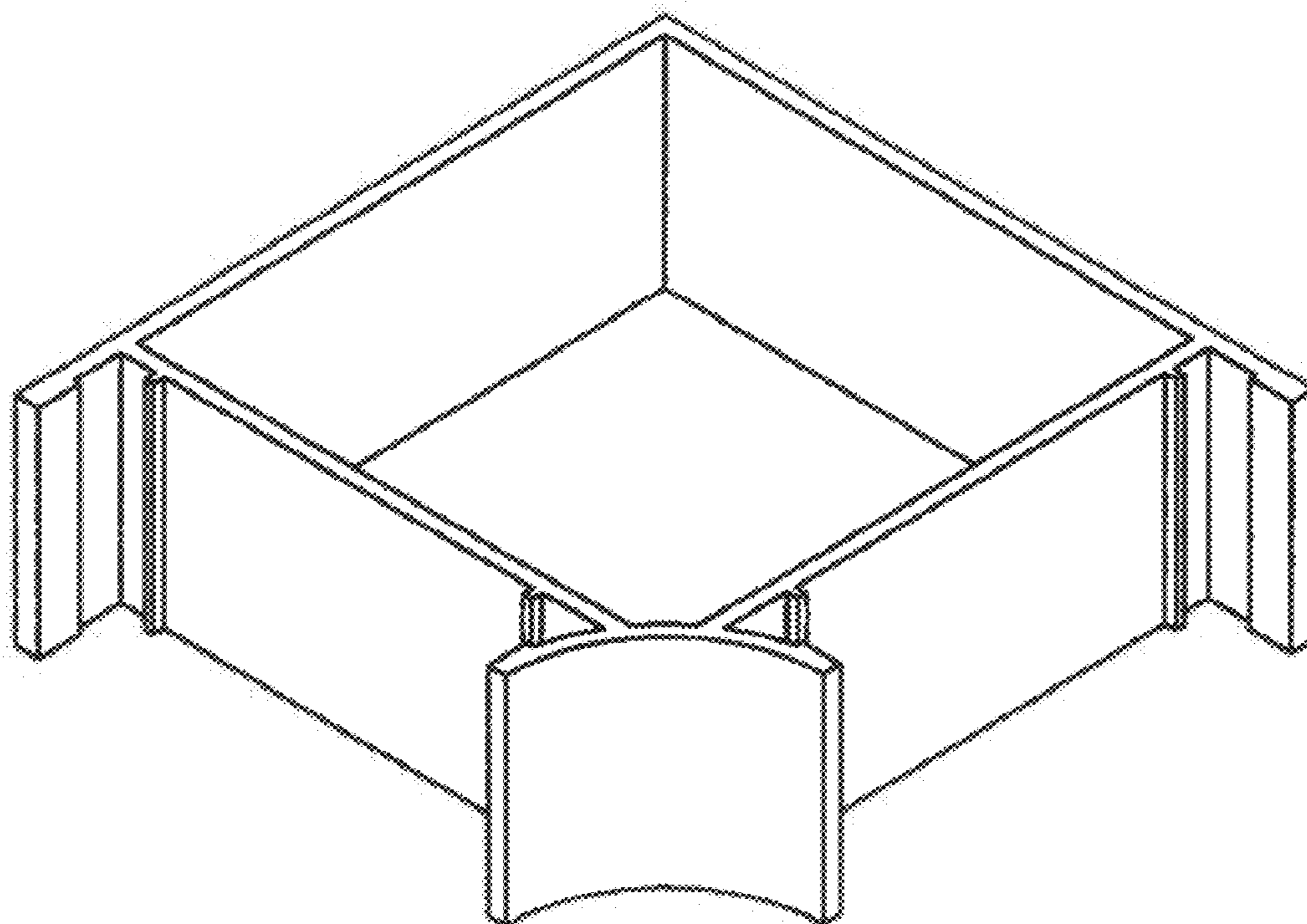
FIG. 4 is a left back side view of the curved clean room corner piece.

FIG. 5 is a right back side view of the curved clean room corner piece.

FIG. 6 is a bottom view of the curved clean room corner piece; and,

FIG. 7 is a top view of the curved clean room corner piece.

1 Claim, 7 Drawing Sheets



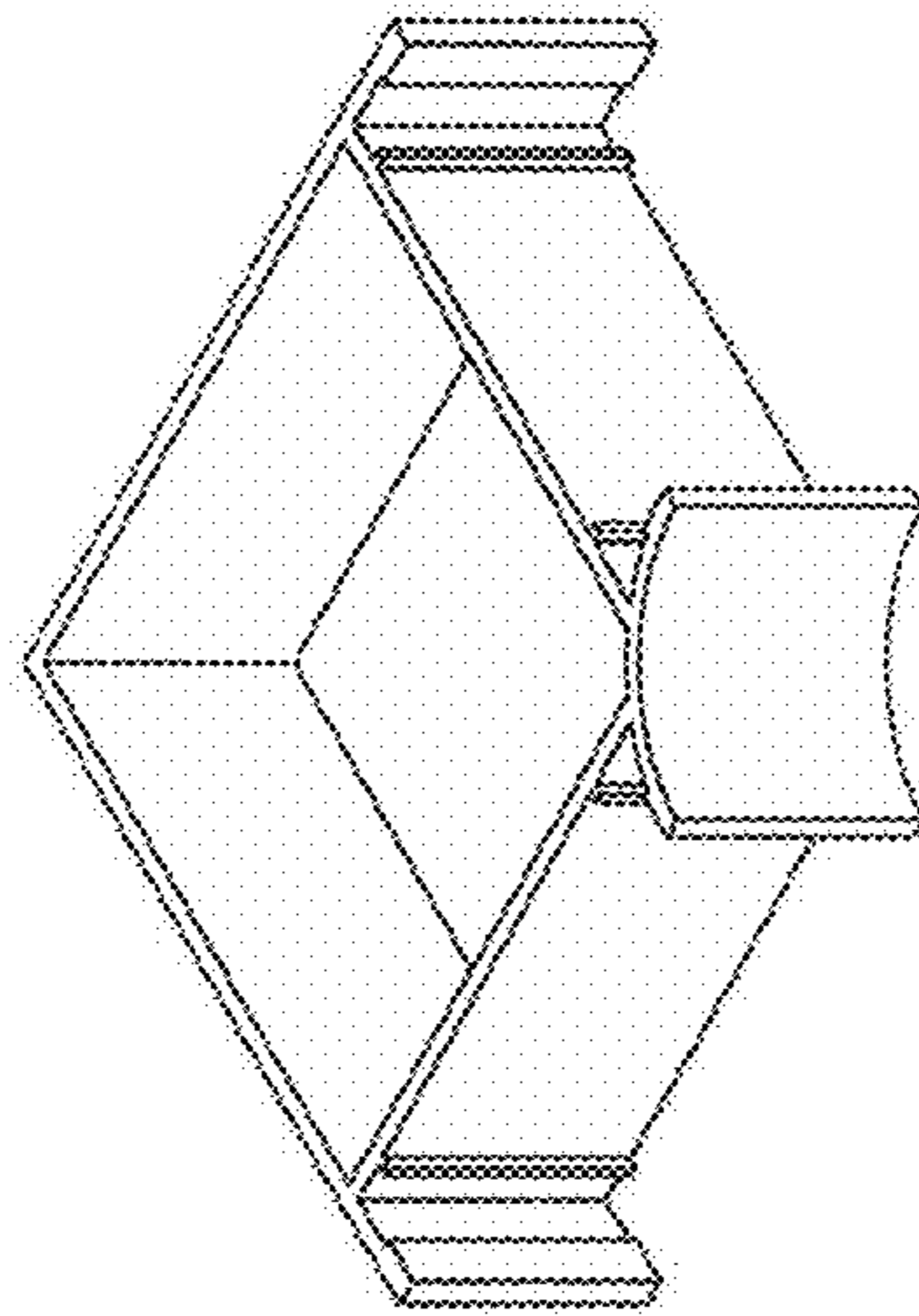


Fig. 1

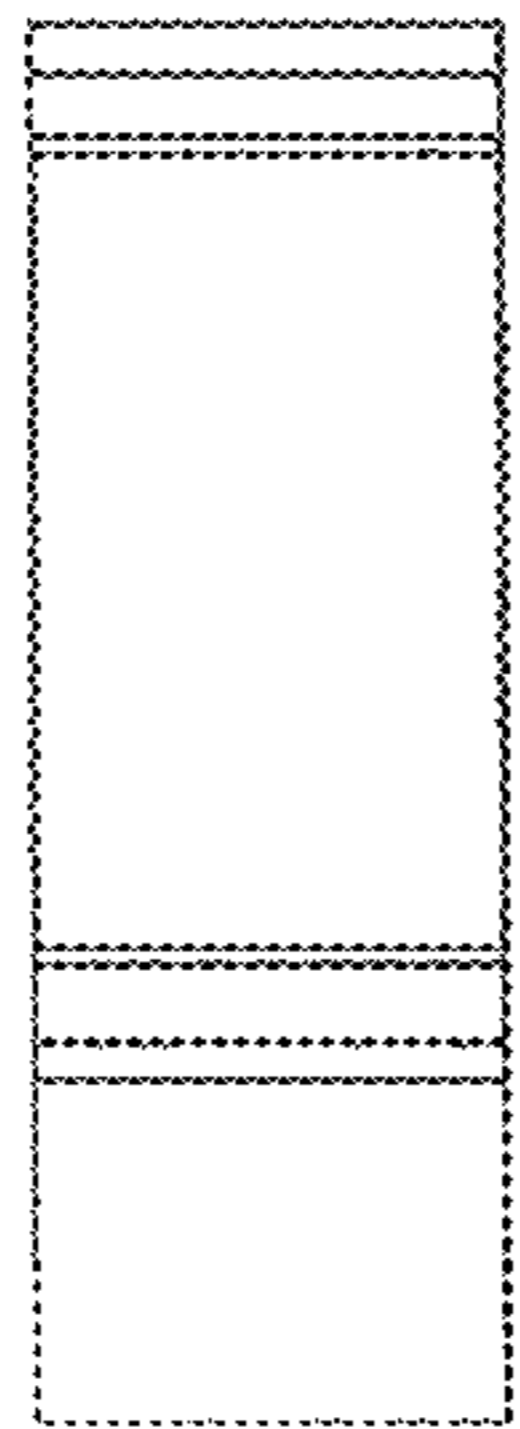


Fig. 2

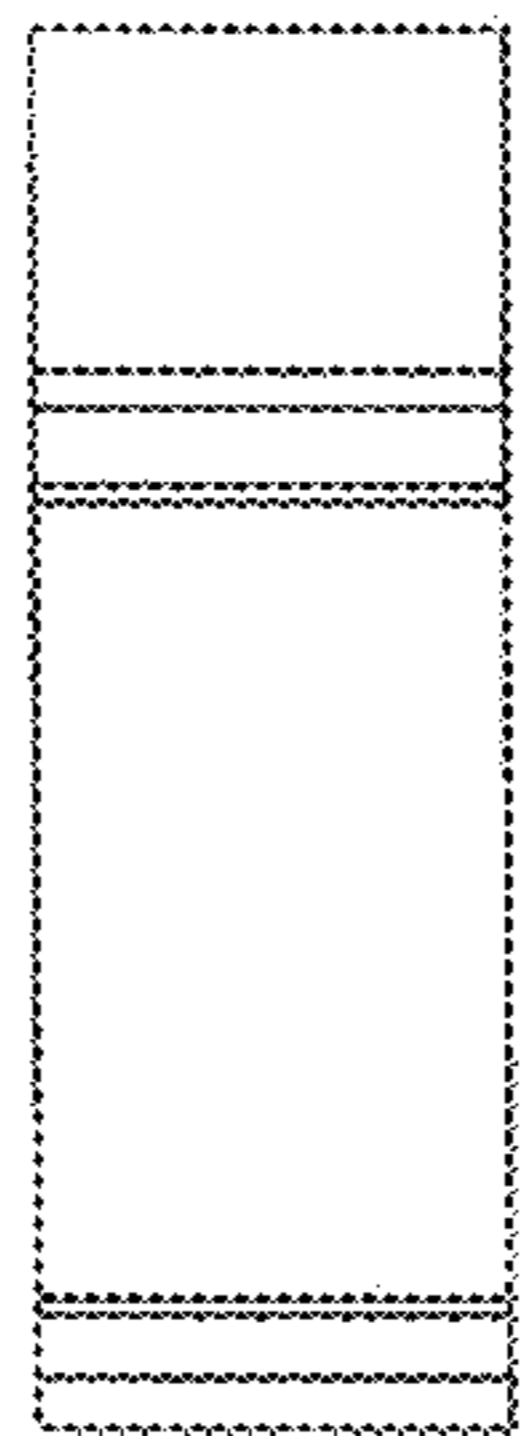


Fig. 3

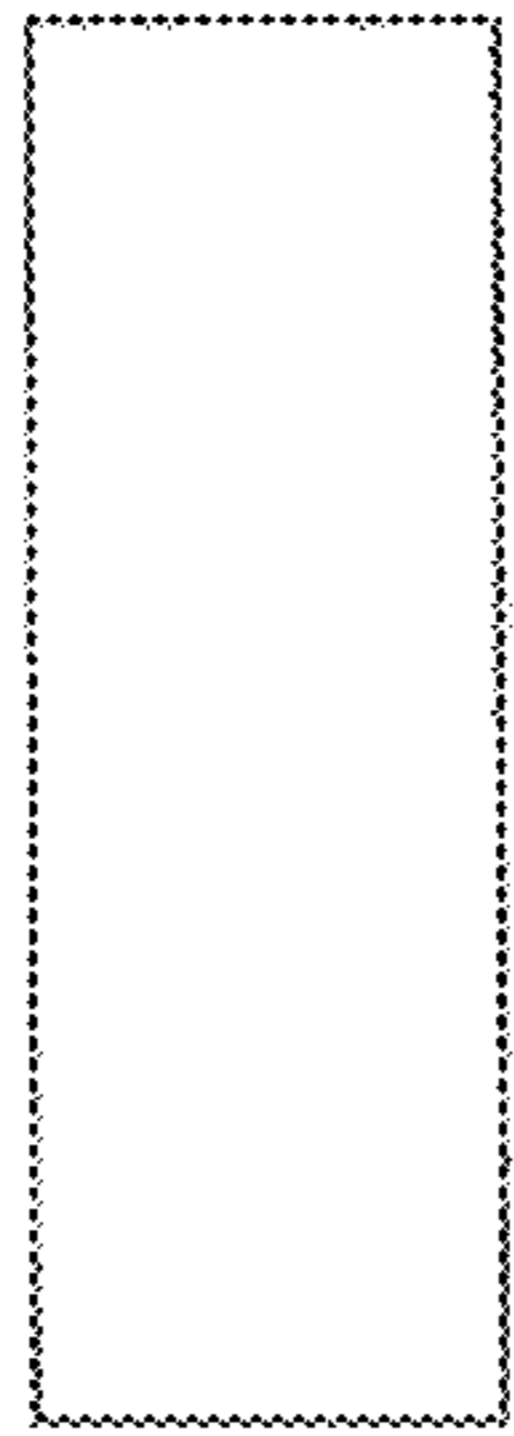


Fig. 4

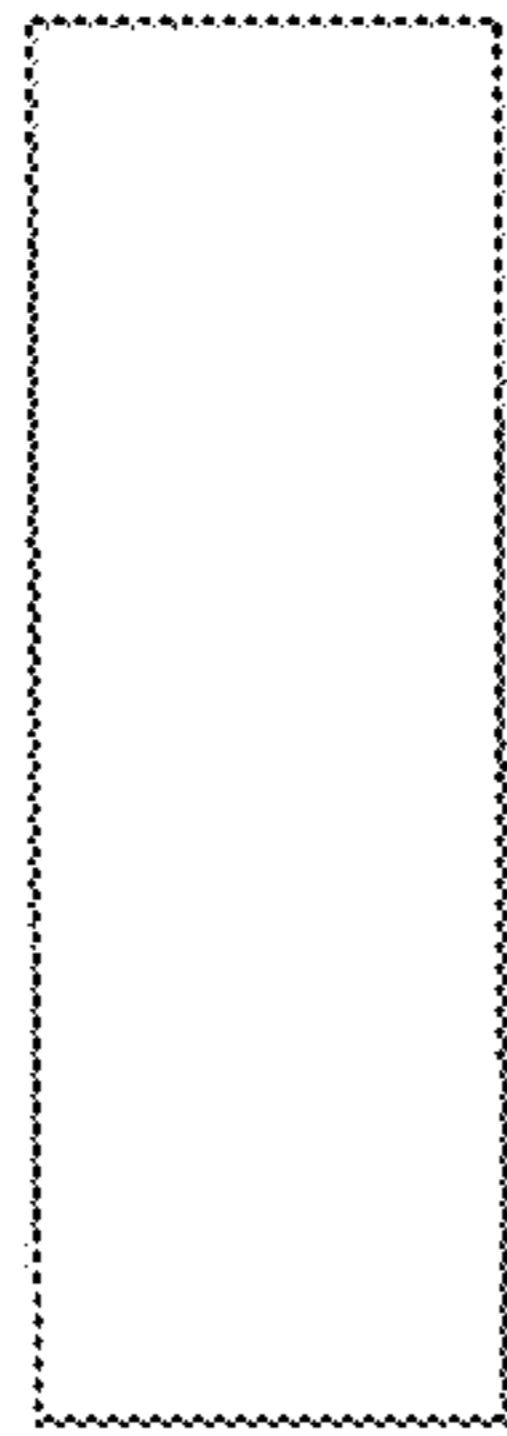


Fig. 5

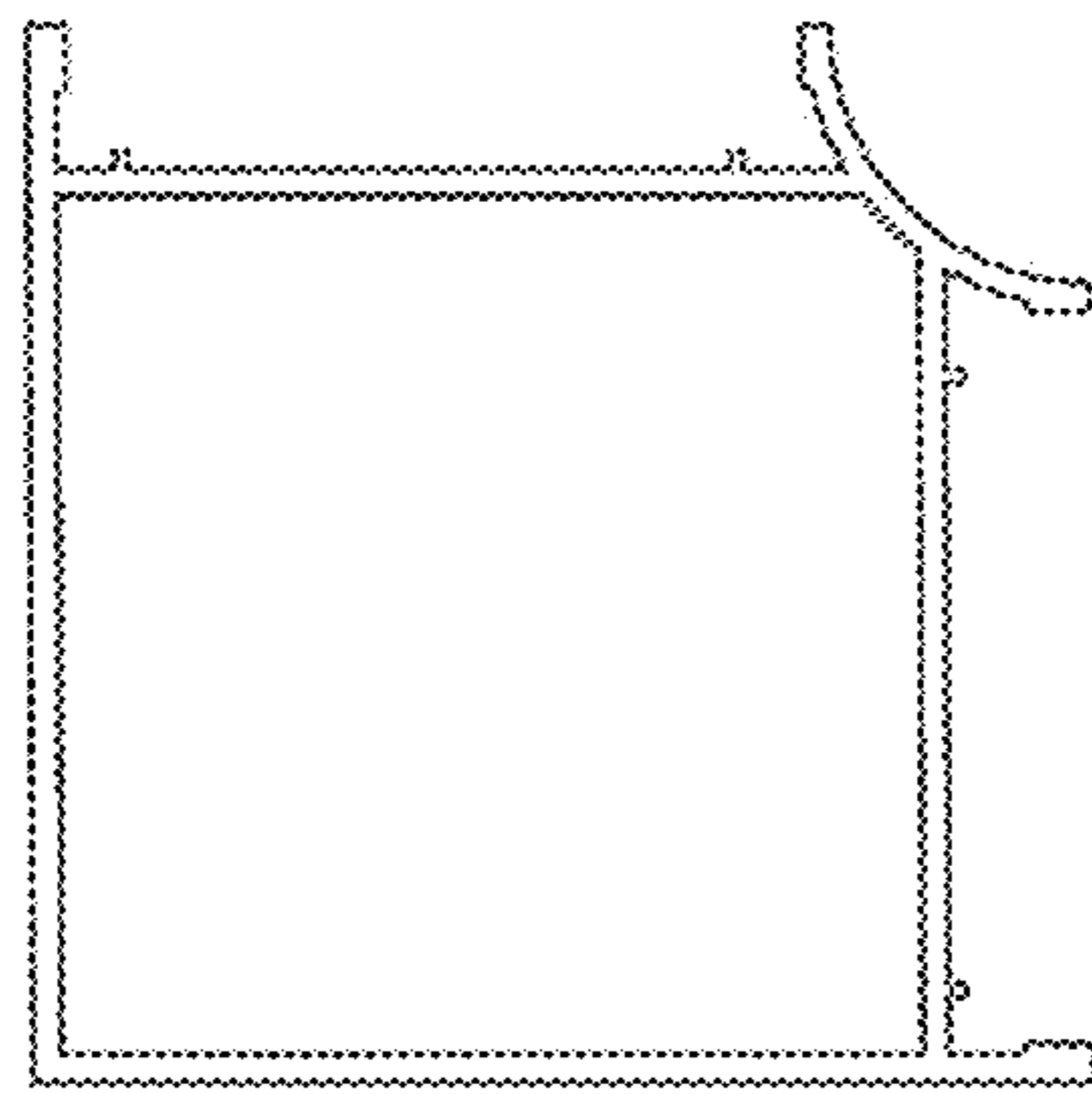


Fig. 6

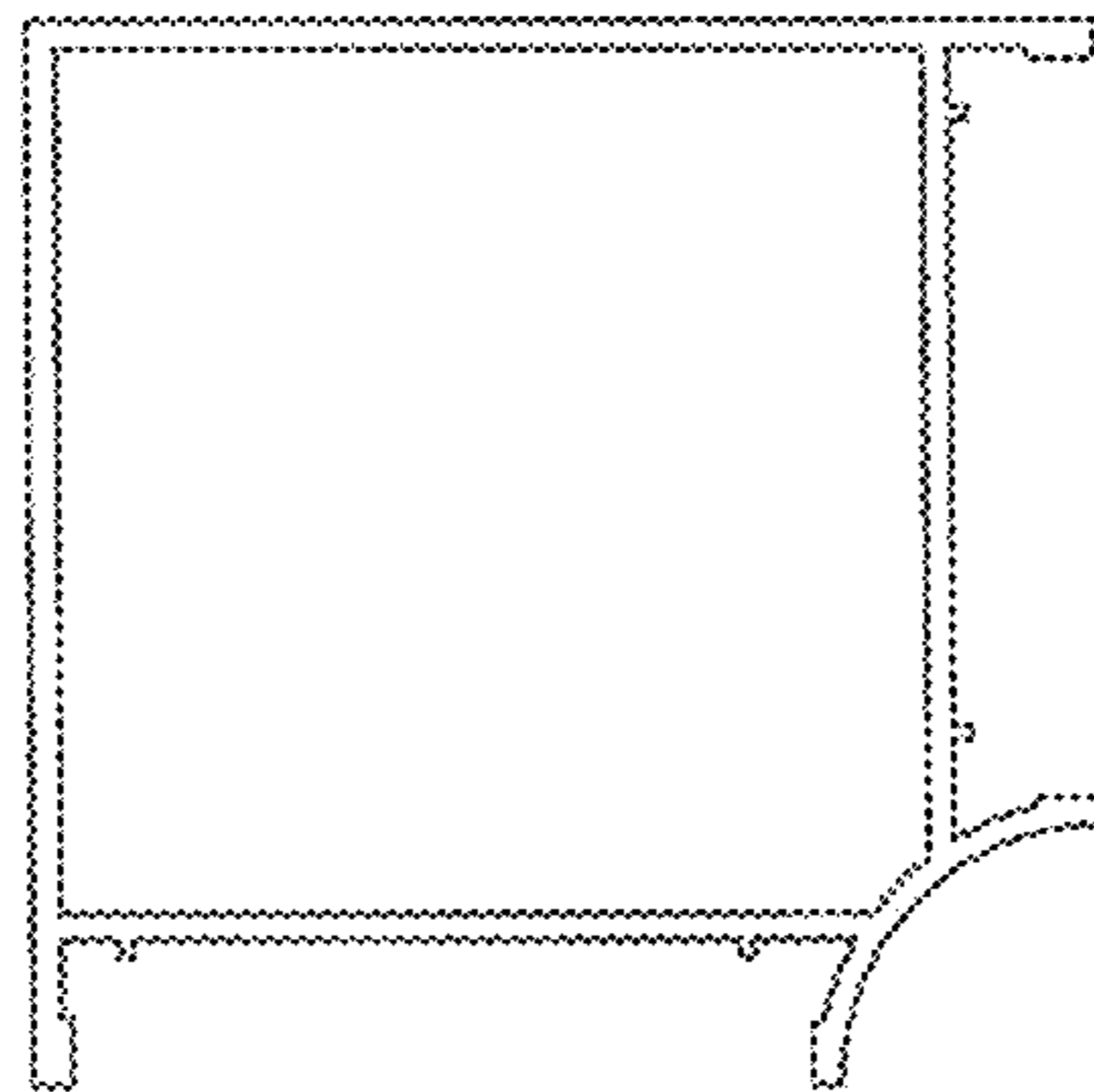


Fig. 7