



US00D908240S

(12) **United States Design Patent** (10) **Patent No.:** **US D908,240 S**
Buse (45) **Date of Patent:** **** Jan. 19, 2021**

- (54) **RECEPTACLE HOLDER**
- (71) Applicant: **GEN-PROBE INCORPORATED**, San Diego, CA (US)
- (72) Inventor: **David A. Buse**, San Diego, CA (US)
- (73) Assignee: **GEN-PROBE INCORPORATED**, San Diego, CA (US)
- (**) Term: **15 Years**
- (21) Appl. No.: **29/735,363**
- (22) Filed: **May 20, 2020**

D476,088 S	6/2003	Wescott, III
D478,193 S	8/2003	Routh
D674,112 S	1/2013	Demas et al.
D685,493 S	7/2013	Sato et al.
D735,881 S	8/2015	Thomas
D808,540 S	1/2018	Johns et al.
D810,959 S	2/2018	Langhoff et al.
D849,266 S	5/2019	Higgins
D852,977 S	7/2019	Suchocki et al.
D853,816 S	7/2019	Schaz et al.
D855,826 S	8/2019	Buse
D877,360 S *	3/2020	Erb D24/232
D888,279 S *	6/2020	Buse D24/227
10,668,472 B2 *	6/2020	Knight B01L 3/565
2002/0030044 A1	3/2002	Brown

* cited by examiner

Related U.S. Application Data

- (63) Continuation of application No. 29/698,619, filed on Jul. 18, 2019, now Pat. No. Des. 888,279, which is a continuation of application No. 29/610,161, filed on Jul. 10, 2017, now Pat. No. Des. 855,826.
- (51) **LOC (13) Cl.** **24-02**
- (52) **U.S. Cl.**
USPC **D24/227**
- (58) **Field of Classification Search**
USPC D24/107, 108, 121, 224-227, 230, 231, D24/232
CPC G01N 21/90; B01L 3/523
See application file for complete search history.

Primary Examiner — Susan Bennett Hattan
Assistant Examiner — Omeed Agilee
 (74) *Attorney, Agent, or Firm* — Sterne, Kessler, Goldstein & Fox P.L.L.C.; Charles B. Cappellari

(57) **CLAIM**

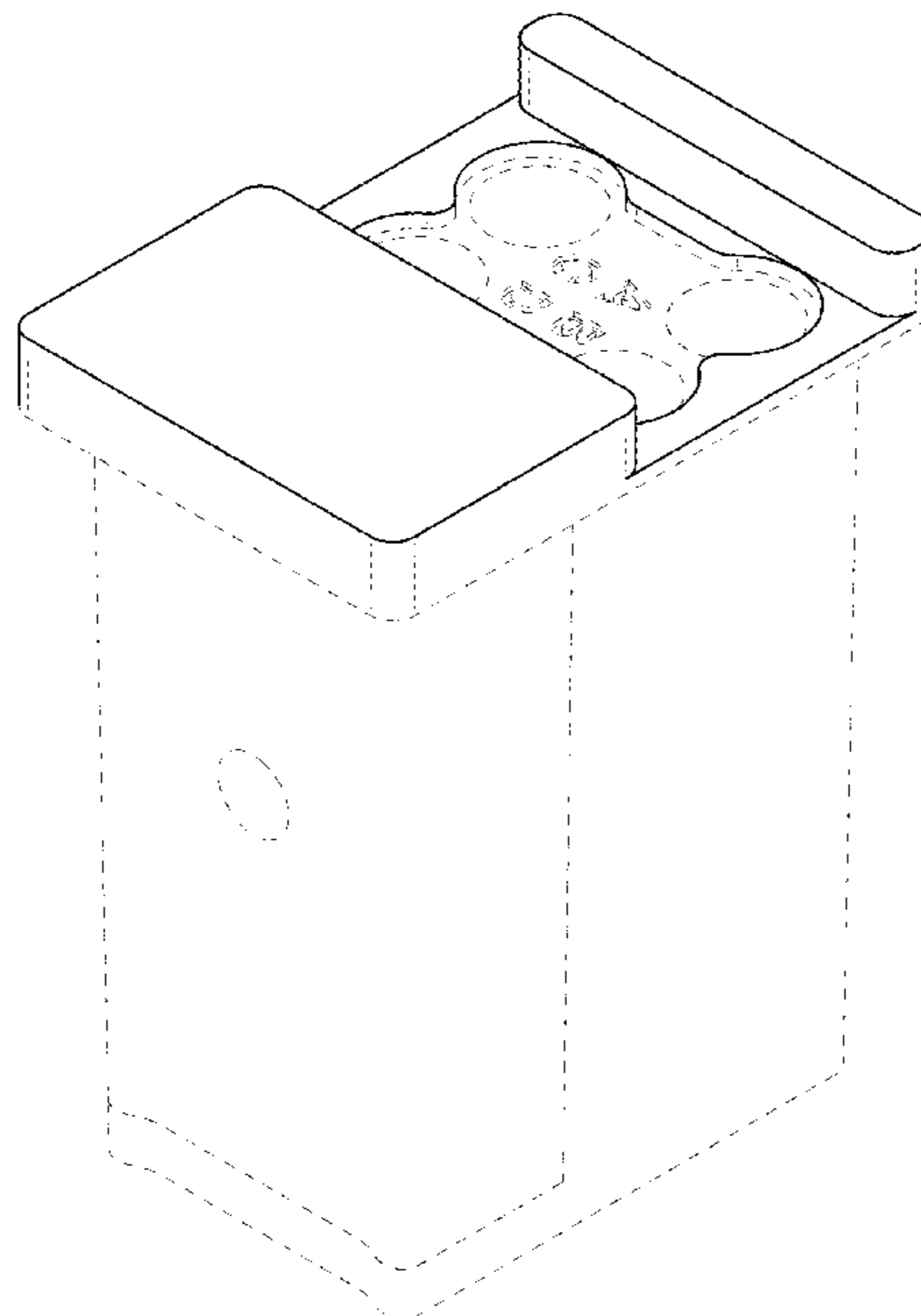
The ornamental design for a receptacle holder, as shown and described.

DESCRIPTION

FIG. 1 is a top front perspective view of a receptacle holder showing the claimed design;
 FIG. 2 is a bottom rear perspective view thereof;
 FIG. 3 is a front view thereof;
 FIG. 4 is a rear view thereof;
 FIG. 5 is a left side view thereof;
 FIG. 6 is a right side view thereof;
 FIG. 7 is a top view thereof; and,
 FIG. 8 is a bottom view thereof.
 The broken lines in the figures show portions of the receptacle holder that form no part of the claimed design.

- (56) **References Cited**
U.S. PATENT DOCUMENTS
- | | | |
|-------------|---------|-----------------|
| 3,469,709 A | 9/1969 | Wood |
| 3,994,594 A | 11/1976 | Sandrock et al. |
| 5,437,841 A | 8/1995 | Balmer |
| D411,308 S | 6/1999 | Pandey et al. |
| D438,632 S | 3/2001 | Miller |
| D446,311 S | 8/2001 | Wescott, III |

1 Claim, 8 Drawing Sheets



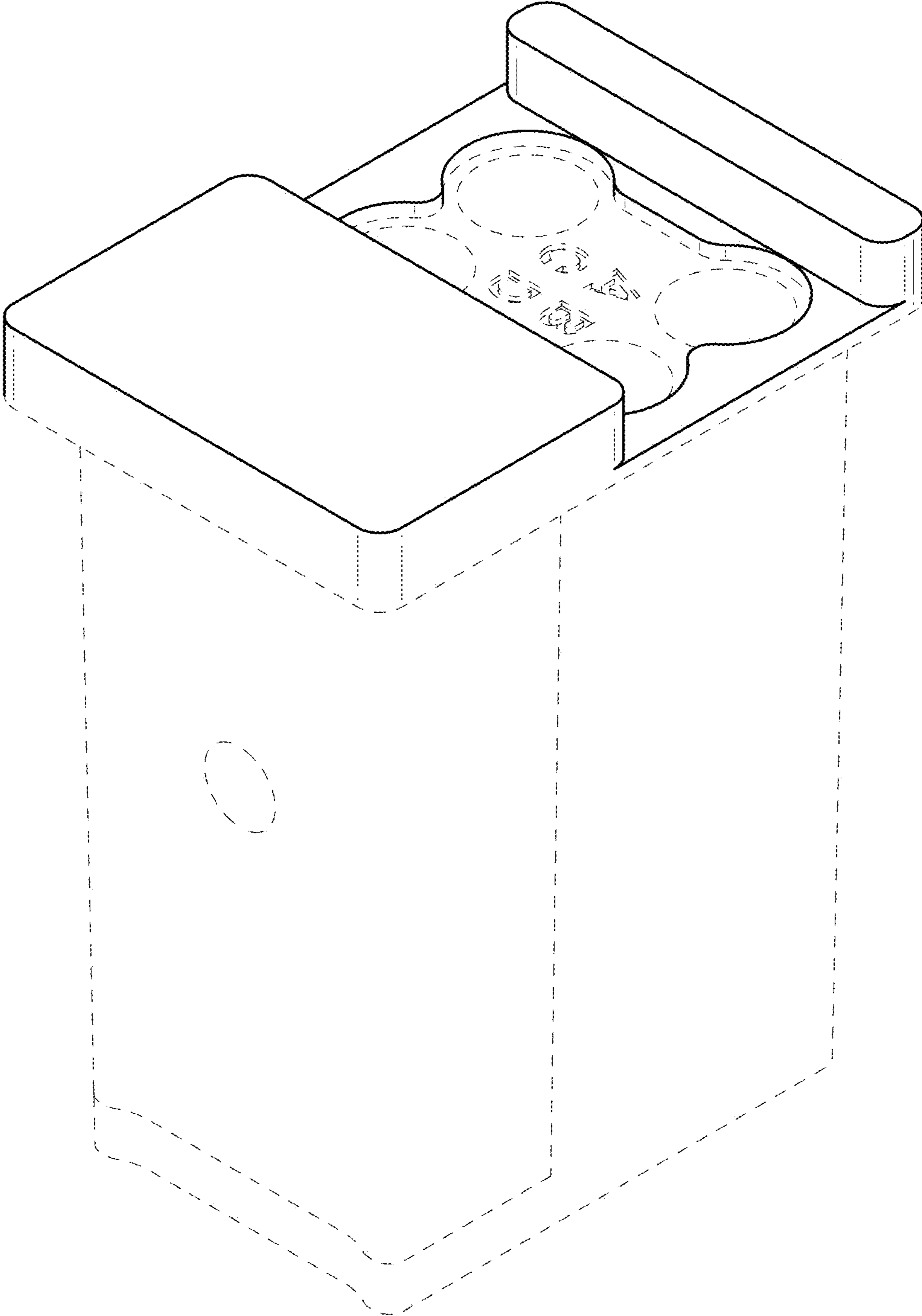


FIG. 1

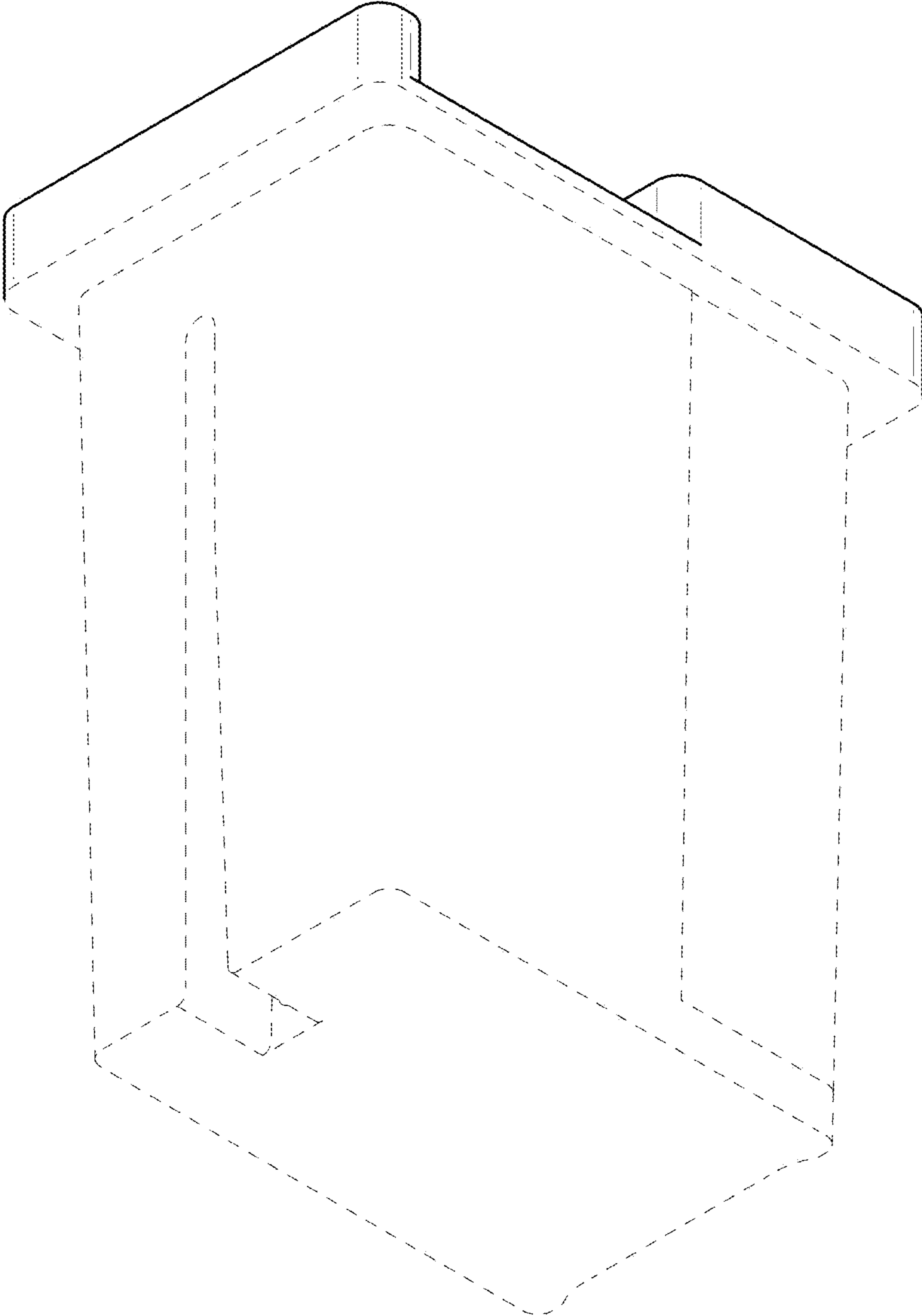


FIG. 2

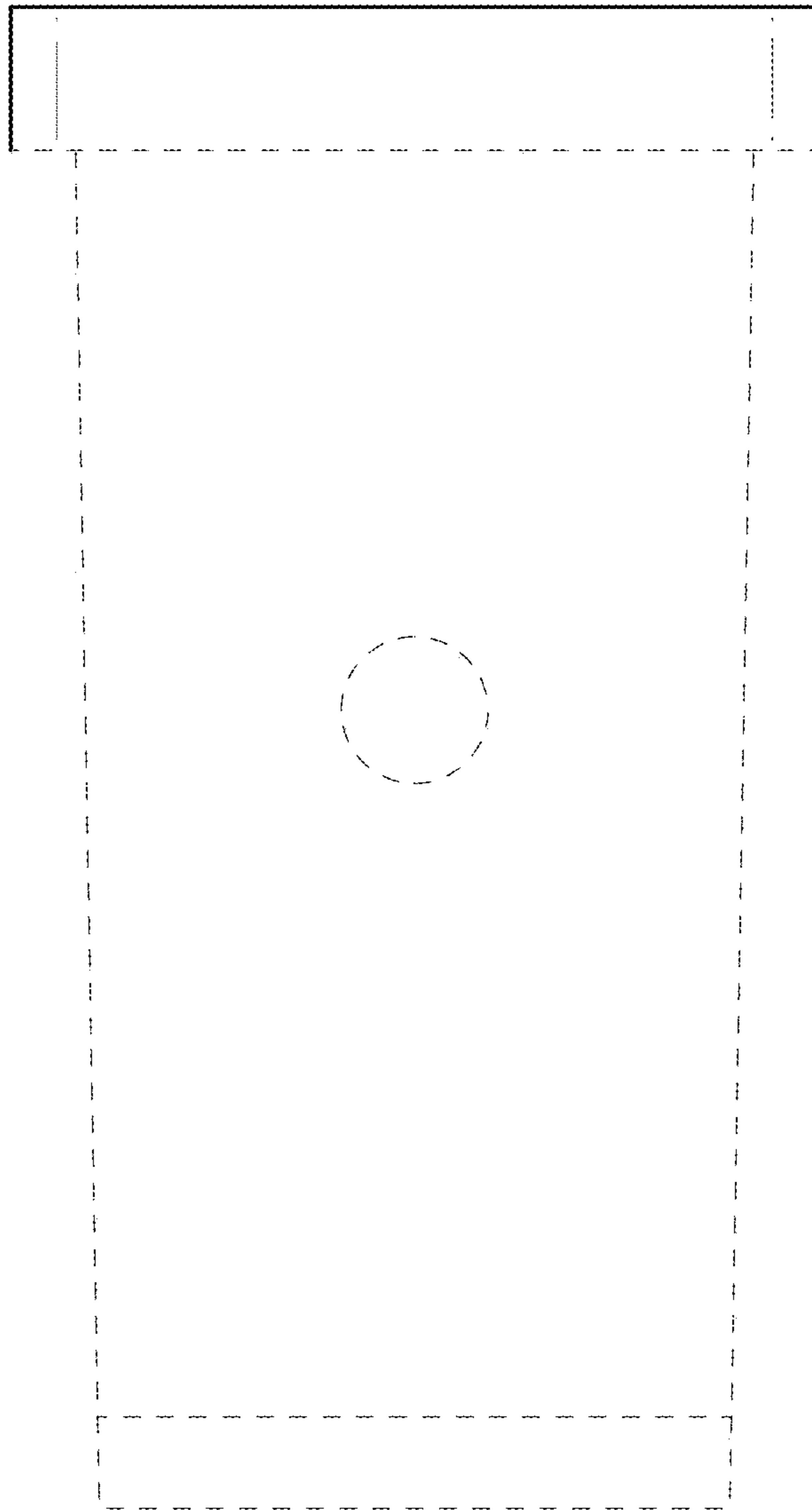


FIG. 3

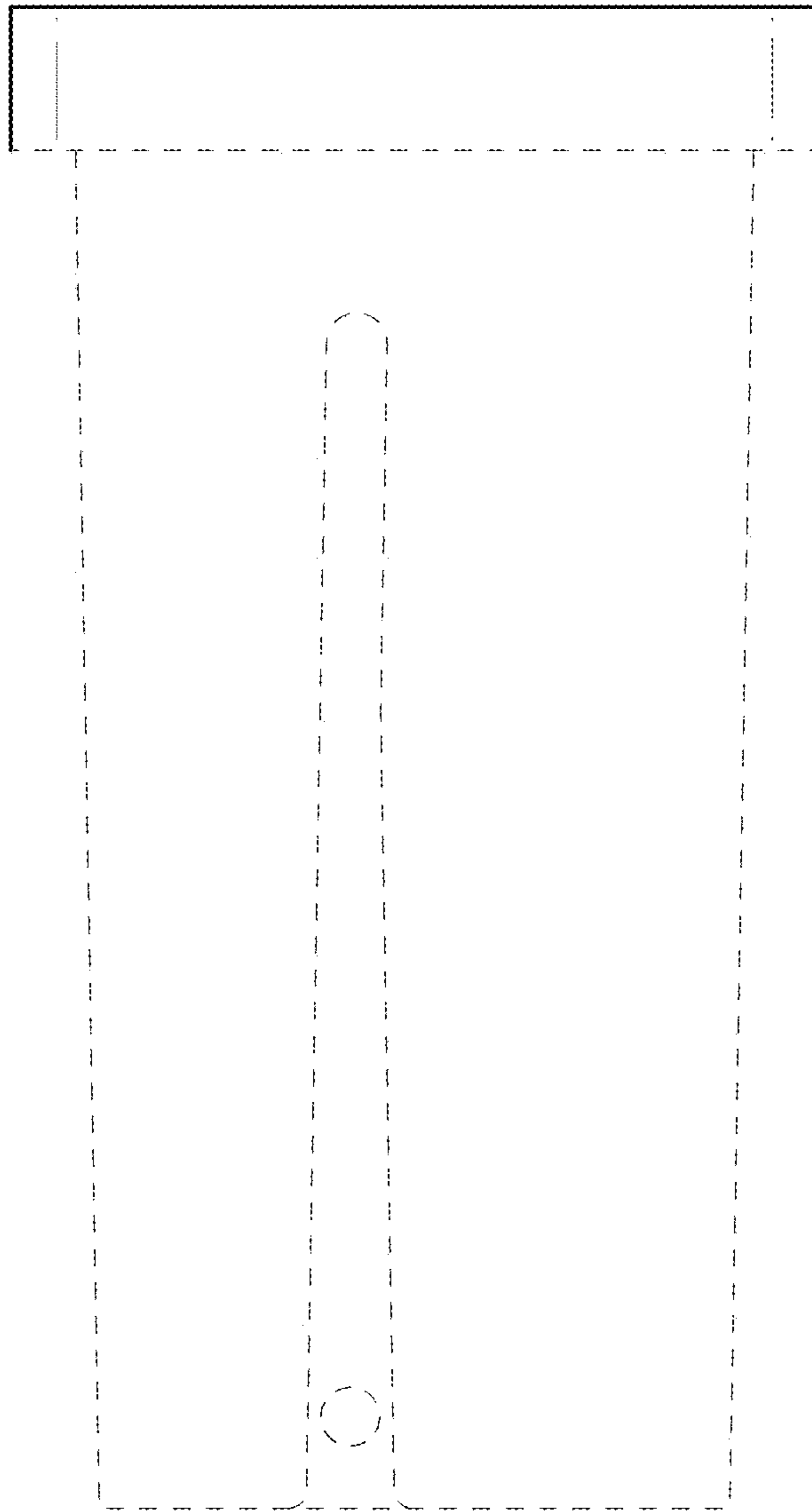


FIG. 4

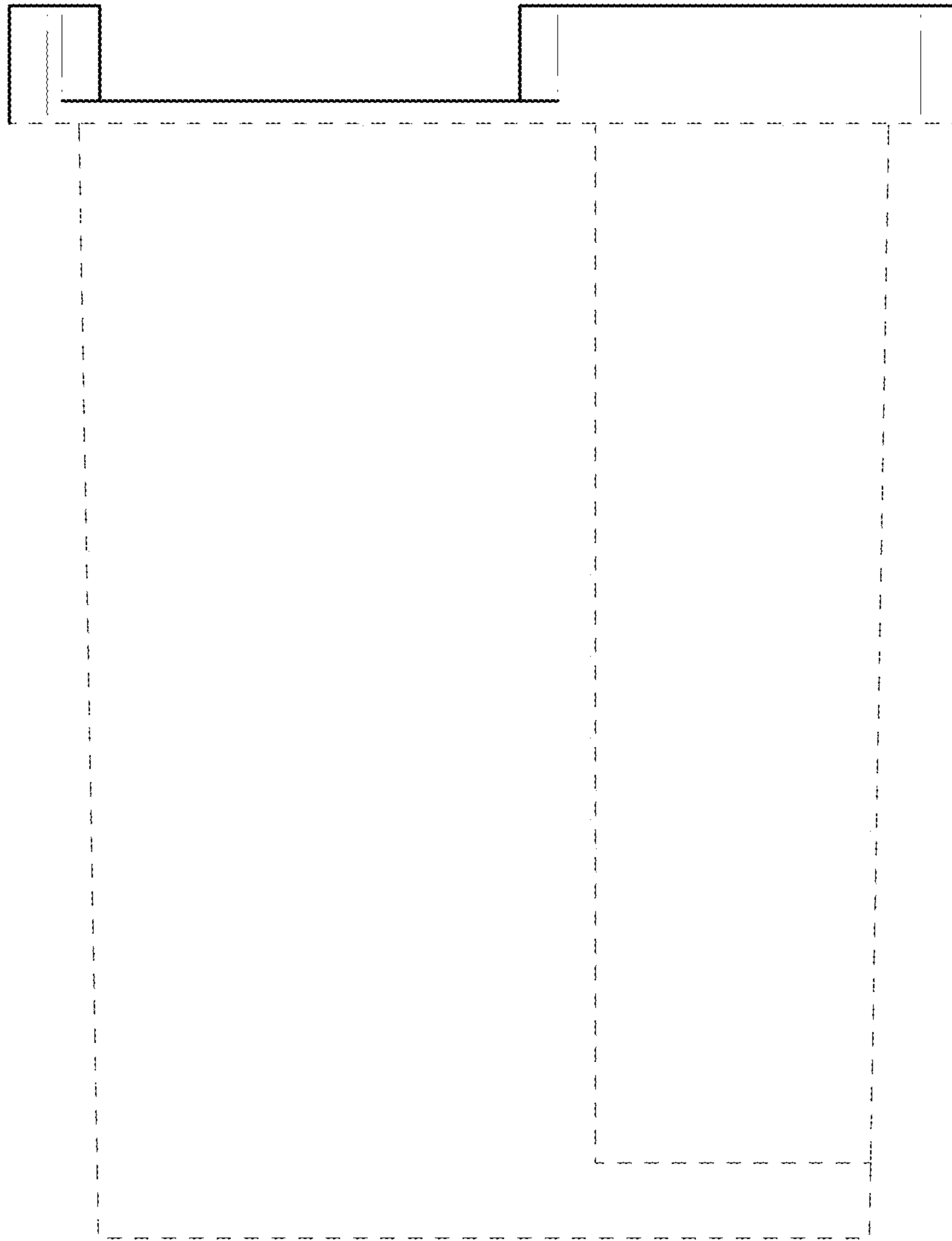


FIG. 5

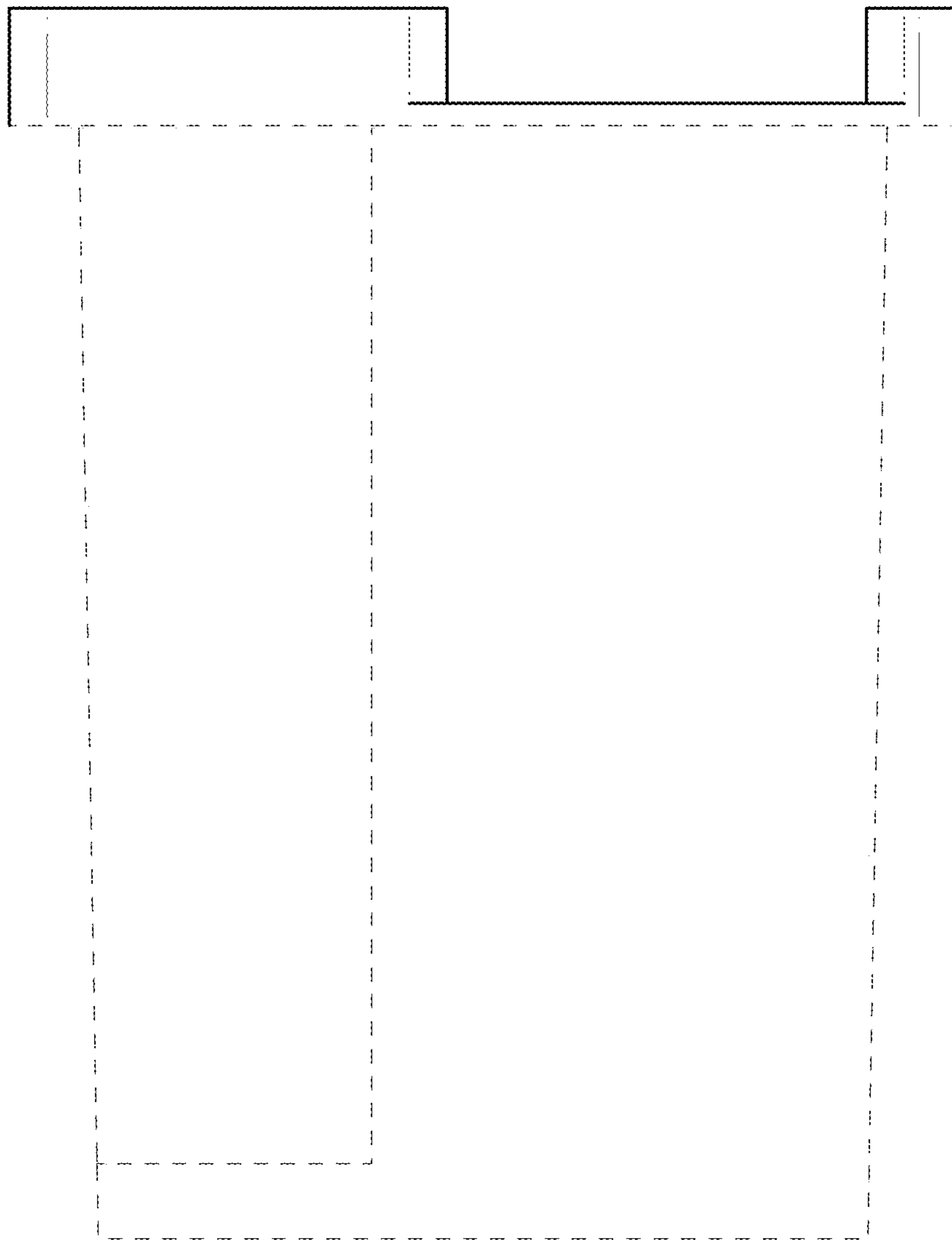


FIG. 6

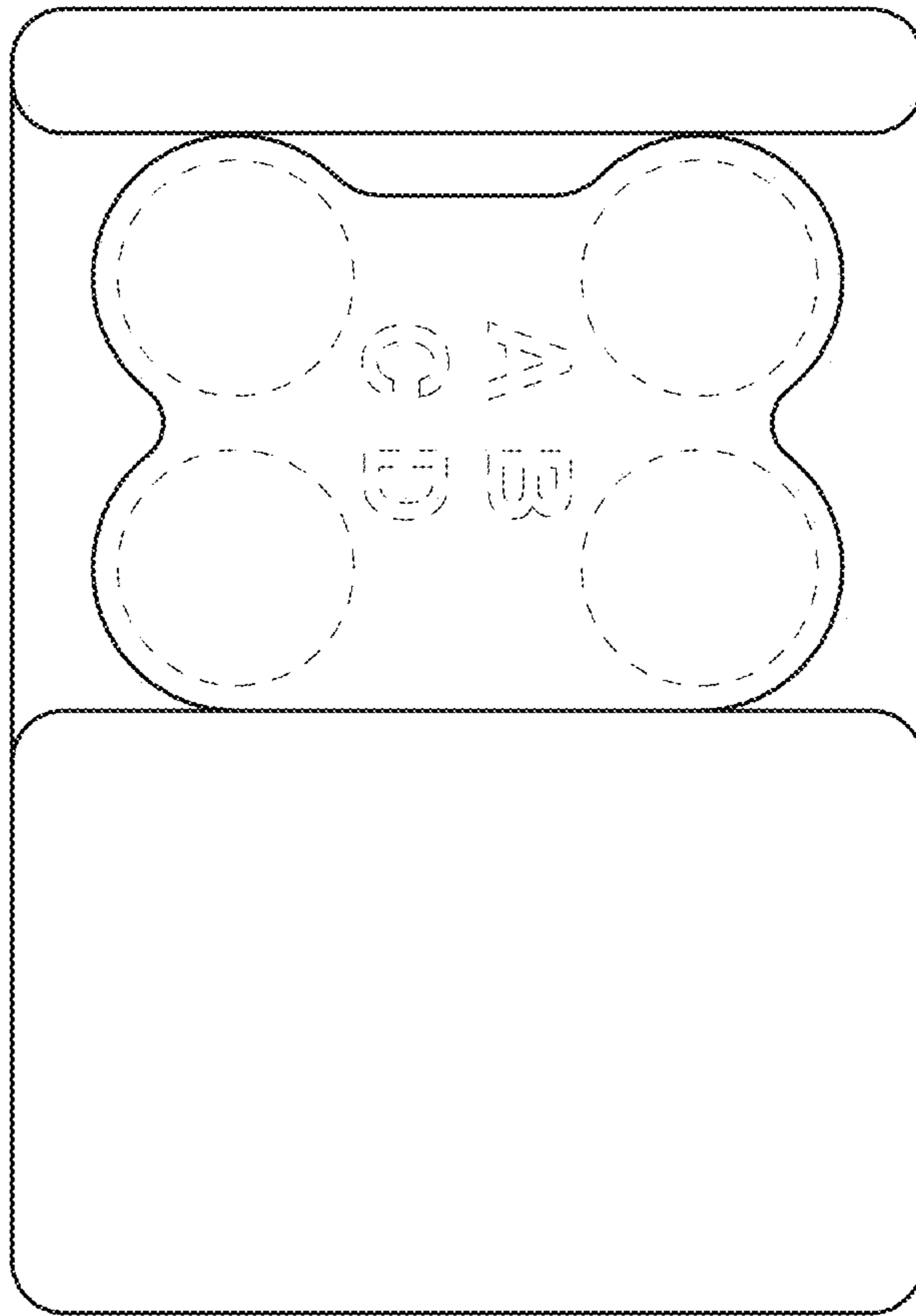


FIG. 7

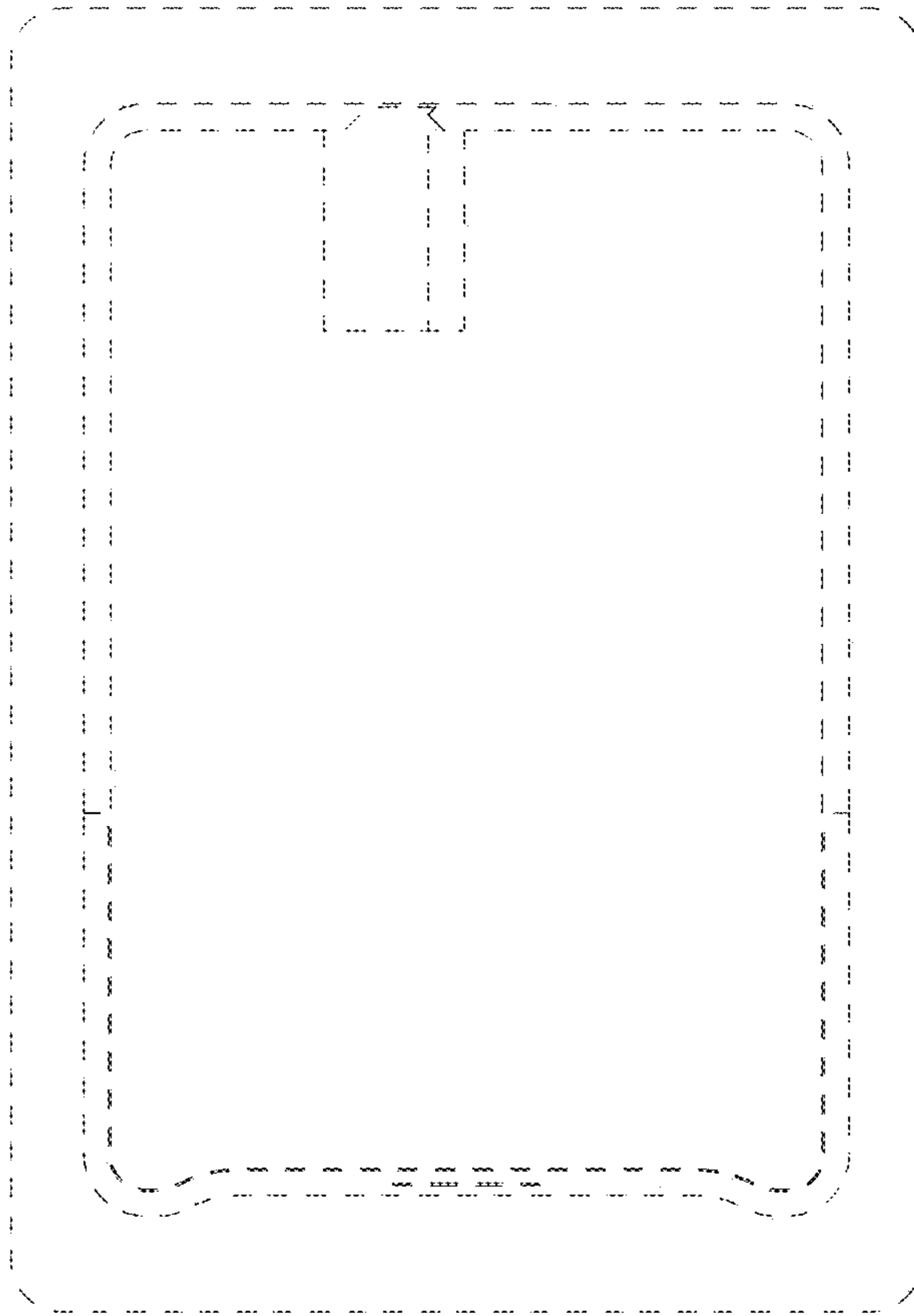


FIG. 8