



US00D908239S

(12) **United States Design Patent**
Ou Yang

(10) **Patent No.:** **US D908,239 S**
(45) **Date of Patent:** **** Jan. 19, 2021**

(54) **UVC LED TOILET STERILIZER**
(71) Applicant: **SHENZHEN UVLED OPTICAL TECHNOLOGY CO., LTD.**, Guangdong (CN)
(72) Inventor: **Chen Yi Ou Yang**, Ningyuan County (CN)
(73) Assignee: **SHENZHEN UVLED OPTICAL TECHNOLOGY CO., LTD.**, Guangdong (CN)

D431,298 S * 9/2000 Hogan D24/133
D438,980 S * 3/2001 Hehenberger D20/28
D439,344 S * 3/2001 Hehenberger D20/27
D484,246 S * 12/2003 Lee D24/186
D601,711 S * 10/2009 Lin D24/217
D676,562 S * 2/2013 Marzynski D24/186
D714,433 S * 9/2014 Armstrong D24/108
D802,781 S * 11/2017 Moorehead D24/211

(Continued)

(**) Term: **15 Years**
(21) Appl. No.: **29/661,991**
(22) Filed: **Aug. 31, 2018**

(30) **Foreign Application Priority Data**
Jul. 18, 2018 (CN) 2018 3 0388371

(51) **LOC (13) Cl.** **24-01**
(52) **U.S. Cl.**
USPC **D24/217**

(58) **Field of Classification Search**
USPC D24/200, 209–213, 217–219, 224–232, D24/186, 107, 108; D23/366; D32/1, D32/25; D28/44, 73; 422/24, 26, 27, 422/307; 250/455.11
CPC A61L 2/26; A61L 2/24; A61L 2/17; A61L 2/18; A61L 2/025; A61L 2/10; A61L 2/084; A61L 2202/122; A61L 2202/10; A61L 2202/11; A61L 2202/14; A61L 2202/23; A61L 2202/24; A61L 2202/182; C02F 1/32; C02F 1/325; A61H 15/00; A61H 15/0007; A61H 2015/0042; A63B 43/06

See application file for complete search history.

(56) **References Cited**
U.S. PATENT DOCUMENTS
D320,655 S * 10/1991 Patten D24/200
D429,820 S * 8/2000 Meske D24/217

OTHER PUBLICATIONS

59S Fridge sterilizing Stickers, posted at 59s.com, no posting date, online URL:http://www.59s.com/en/59s-fridge-sterilizing-stickers.html#_pp=102_1496 (Year: 2019).*

(Continued)

Primary Examiner — Lilyana Bekic
Assistant Examiner — Mary Shannon Malley
(74) *Attorney, Agent, or Firm* — Juan Carlos A. Marquez; Marquez IP Law Office, PLLC

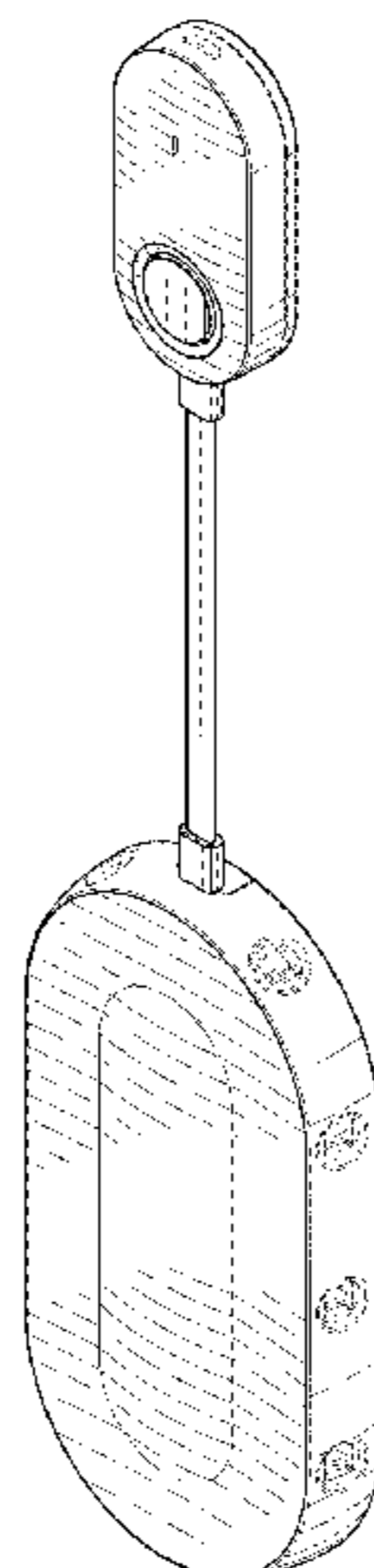
(57) **CLAIM**

The ornamental design for a UVC LED toilet sterilizer, as shown and described.

DESCRIPTION

FIG. 1 is a perspective view of a UVC LED toilet sterilizer, showing the new design;
FIG. 2 is a front view thereof;
FIG. 3 is a rear view thereof;
FIG. 4 is a left-side view thereof;
FIG. 5 is a right-side view thereof;
FIG. 6 is a top view thereof;
FIG. 7 is a bottom view thereof; and,
FIG. 8 is a perspective view of another side thereof.
The broken lines depict portions of the UVC LED toilet sterilizer that form no part of the claimed design.

1 Claim, 5 Drawing Sheets



(56)

References Cited

U.S. PATENT DOCUMENTS

D825,356 S * 8/2018 Yu D10/70
D850,626 S * 6/2019 Gardner D24/186
D850,874 S * 6/2019 Piramoon D8/40
2012/0079795 A1* 4/2012 Smith A61B 50/00
53/461

OTHER PUBLICATIONS

59S Car Air Max Sterilizing Strip, posted at 59s.com, no posting date, online URL:http://www.59s.com/en/59s-car-air-max-sterilizing-strip.html#_pp=102_1496 (Year: 2019).*

* cited by examiner

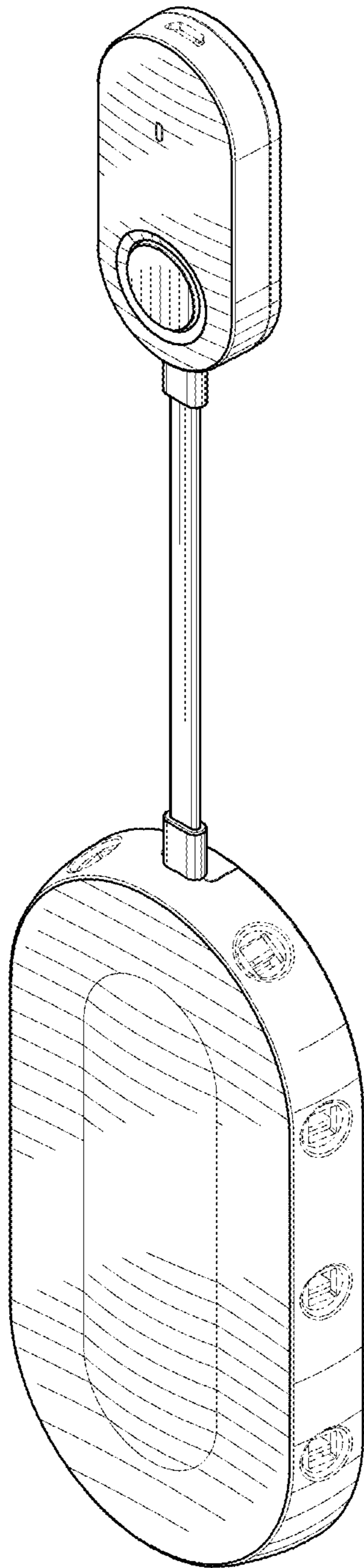


FIG. 1

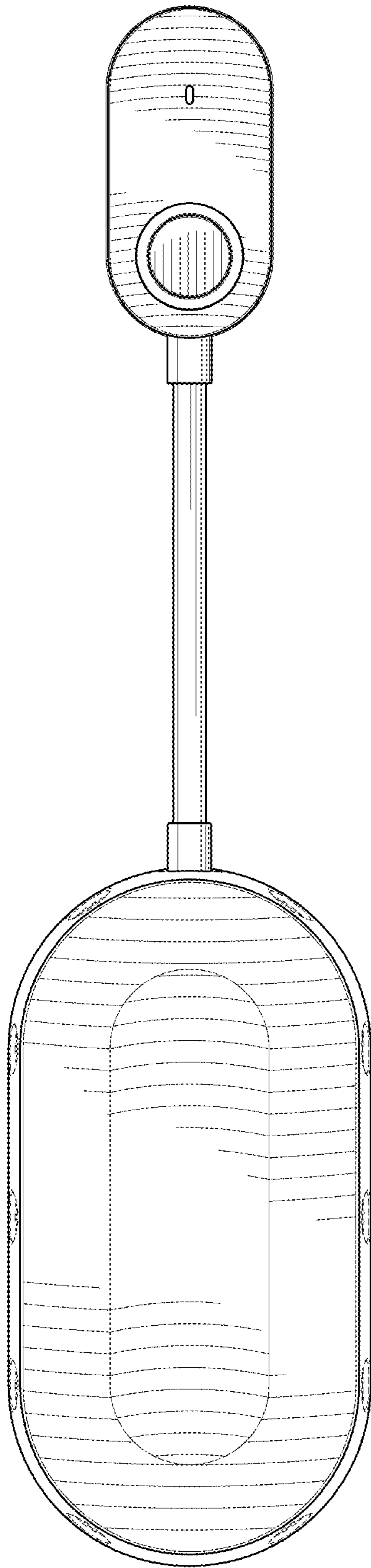


FIG. 2

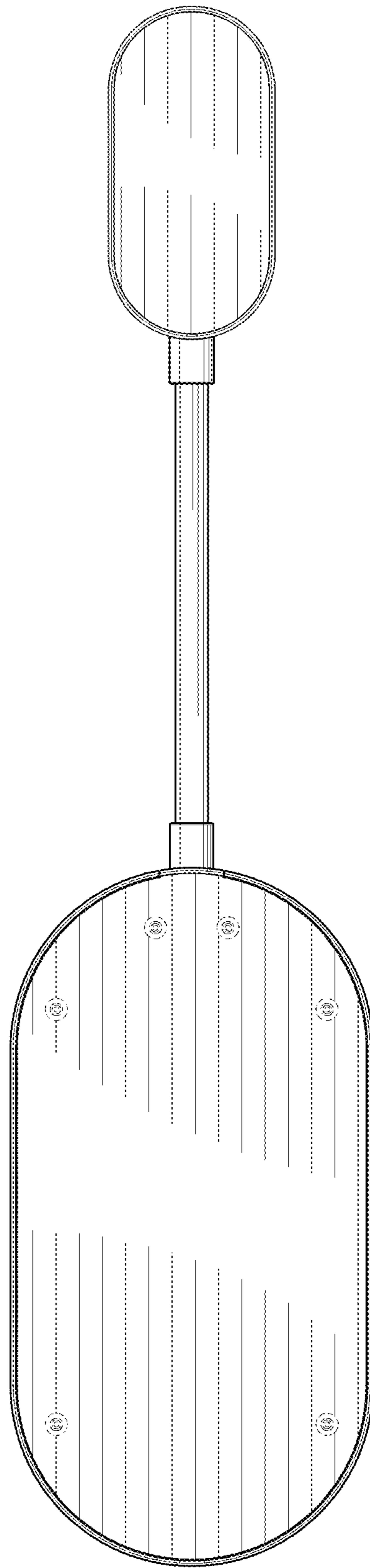


FIG. 3

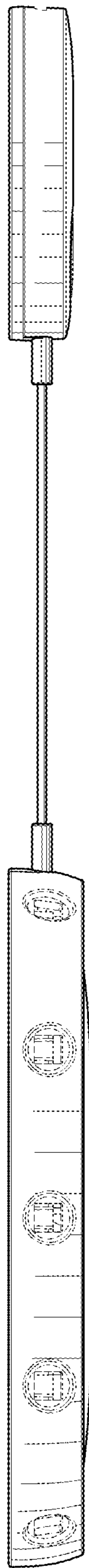


FIG. 4

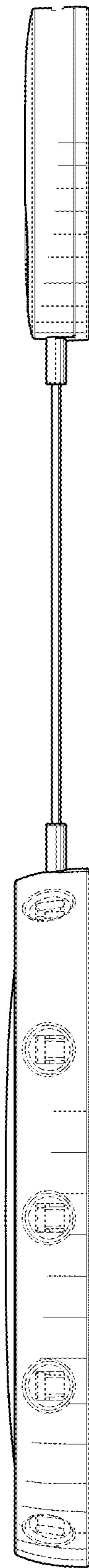


FIG. 5

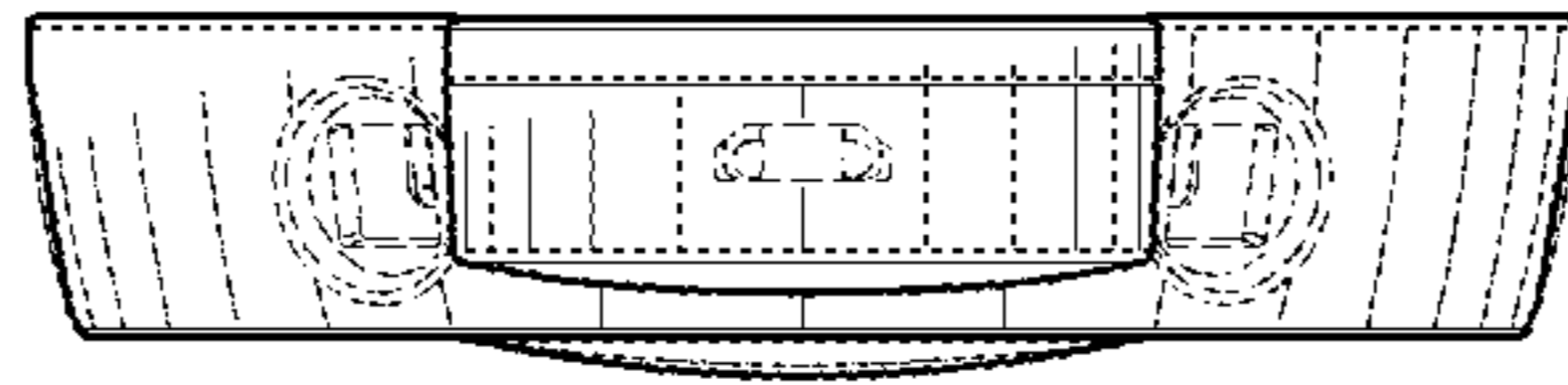


FIG. 6

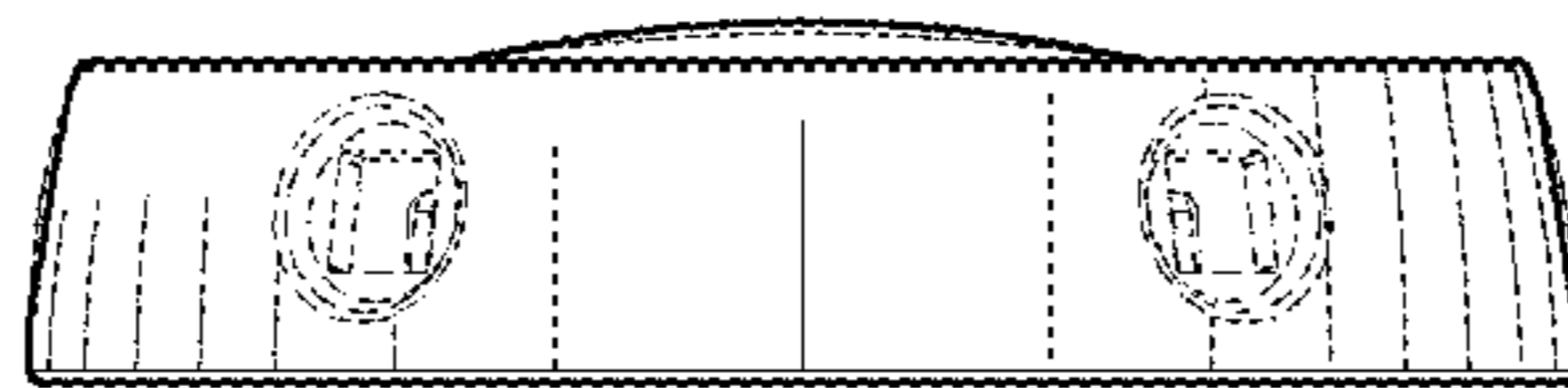


FIG. 7

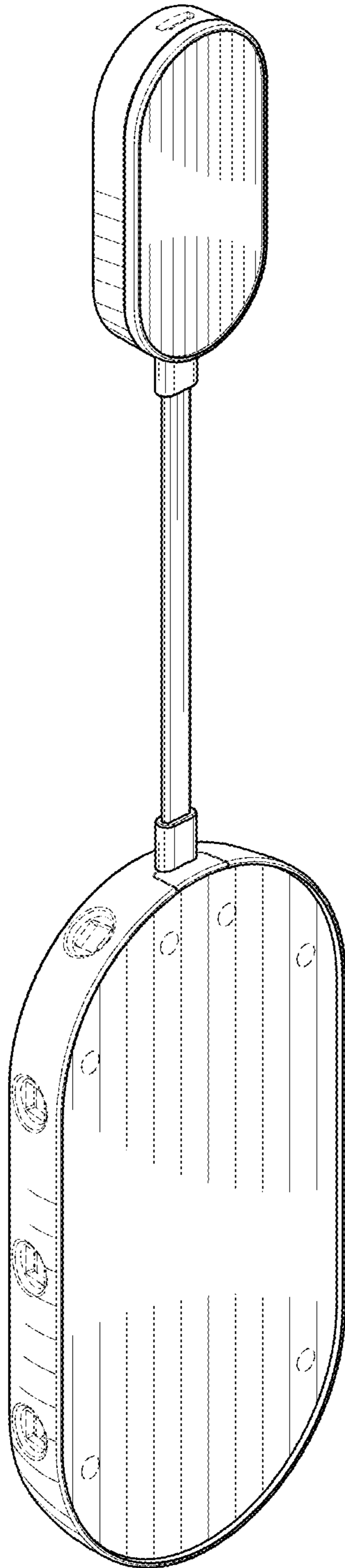


FIG. 8