



US00D908238S

(12) **United States Design Patent**
Cavada, Jr. et al.

(10) **Patent No.: US D908,238 S**
(45) **Date of Patent: ** Jan. 19, 2021**

(54) **STERILIZER**

(71) Applicant: **AMERICAN STERILIZER COMPANY**, Mentor, OH (US)

(72) Inventors: **Gilberto Cavada, Jr.**, Wauconda, IL (US); **Thomas Patrick-Lee O'Connor**, Chicago, IL (US); **Nuno Luis Pires Da Silva**, New York, NY (US)

(**) Term: **15 Years**

(21) Appl. No.: **29/603,774**

(22) Filed: **May 12, 2017**

(51) **LOC (13) Cl. 24-01**

(52) **U.S. Cl.**
USPC **D24/217**

(58) **Field of Classification Search**
USPC D24/216, 217, 218, 219, 224-232;
D23/366; D28/44, 73; D32/1, 25
CPC A61L 2/26; A61L 2/24; A61L 2/17; A61L 2/18; A61L 2/025; A61L 2202/122; A61L 2202/10; A61L 2202/11; A61L 2202/14; A61L 2202/23; A61L 2202/24; A61L 2202/182

See application file for complete search history.

(56) **References Cited**

U.S. PATENT DOCUMENTS

D347,696 S * 6/1994 Tominaga D24/217
D404,488 S * 1/1999 Raimann D24/163

D404,827 S * 1/1999 Thoburn D24/217
D683,503 S * 5/2013 Helm D32/1
D703,343 S * 4/2014 Biswas et al. D24/217
D719,672 S * 12/2014 Dickinson D24/217
D824,533 S * 7/2018 Shimobayashi D24/217

* cited by examiner

Primary Examiner — Anhdao Doan

(74) *Attorney, Agent, or Firm* — Kusner & Jaffe

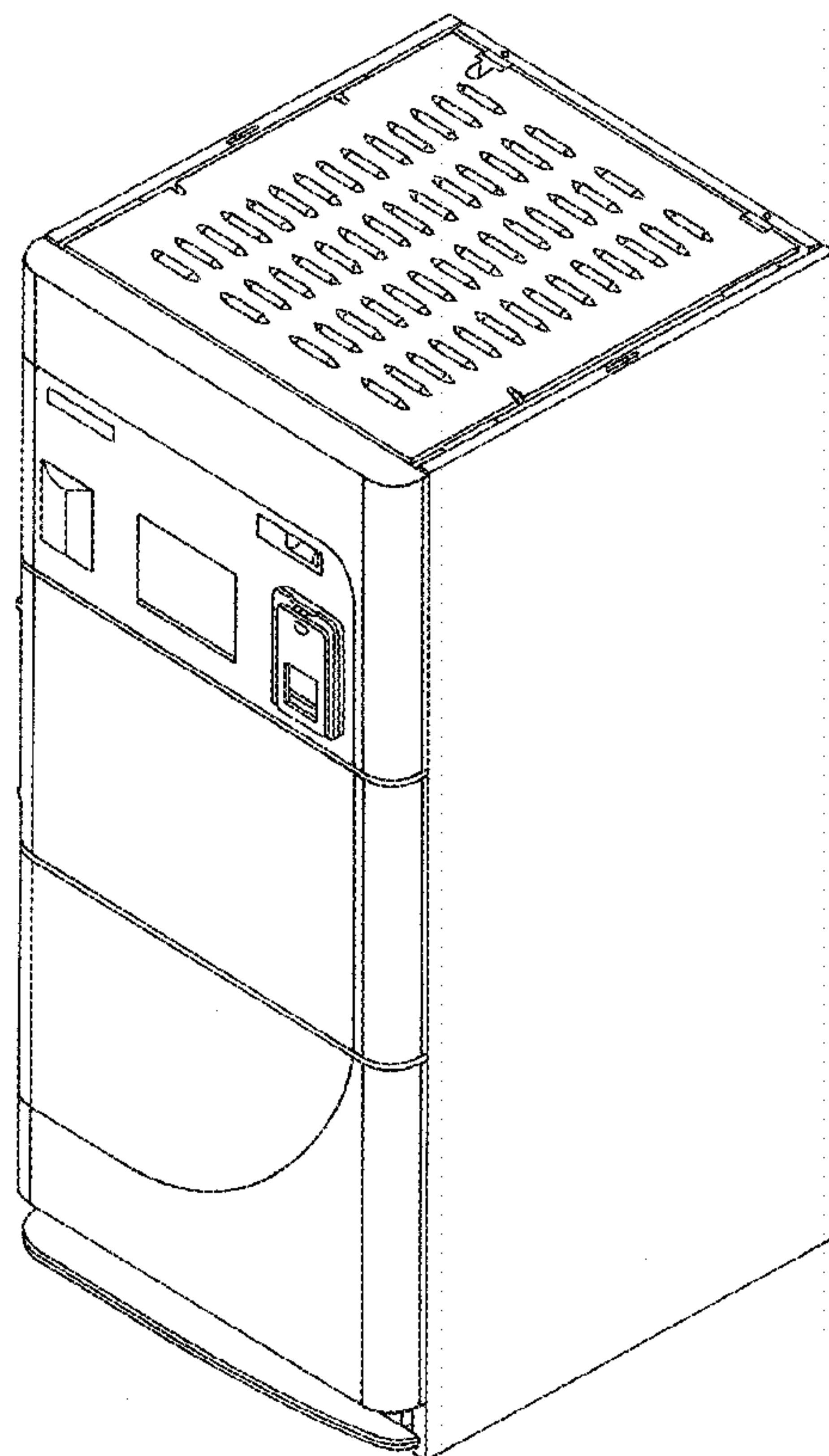
(57) **CLAIM**

The ornamental design for a sterilizer, as shown and described.

DESCRIPTION

FIG. 1 is a front isometric view of a sterilizer, showing our new design;
FIG. 2 is a front elevational view thereof;
FIG. 3 is a left side elevational view thereof;
FIG. 4 is a right side elevational view thereof;
FIG. 5 is a rear elevational view thereof;
FIG. 6 is top plan view thereof; and,
FIG. 7 is a bottom plan view thereof.
The broken lines in the drawings illustrate portions of the sterilizer that form no part of the claimed design.

1 Claim, 7 Drawing Sheets



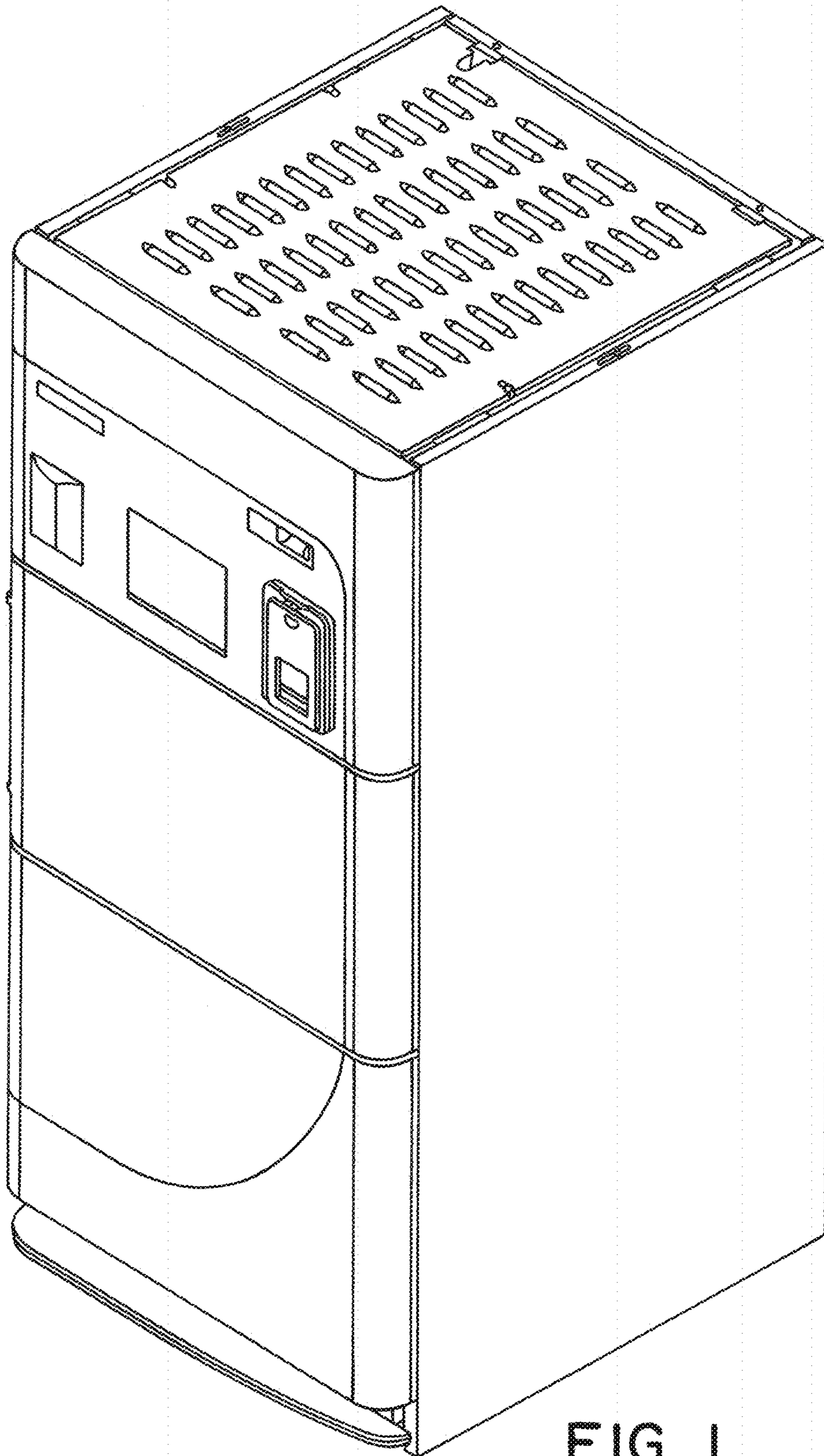


FIG. 1

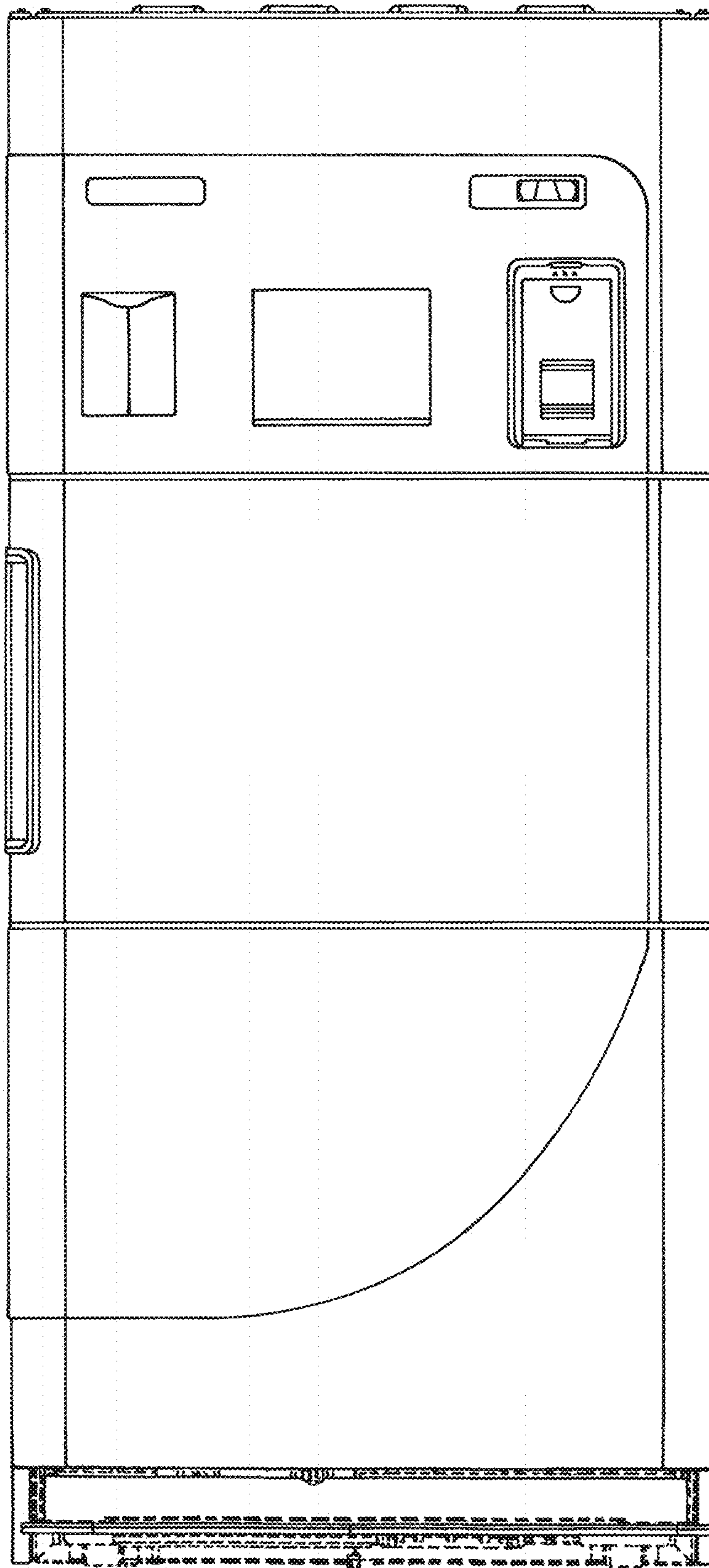


FIG. 2

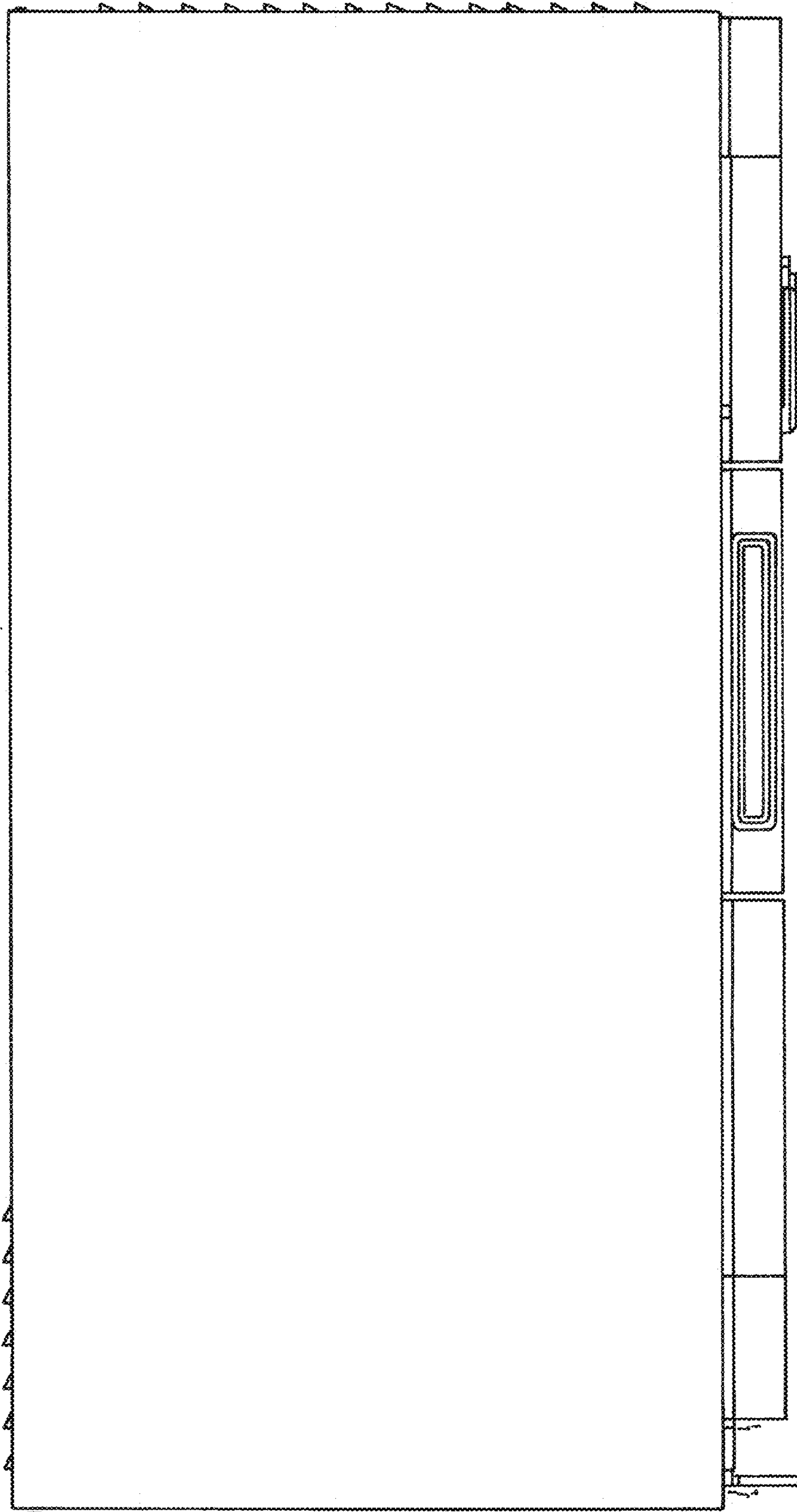


FIG. 3

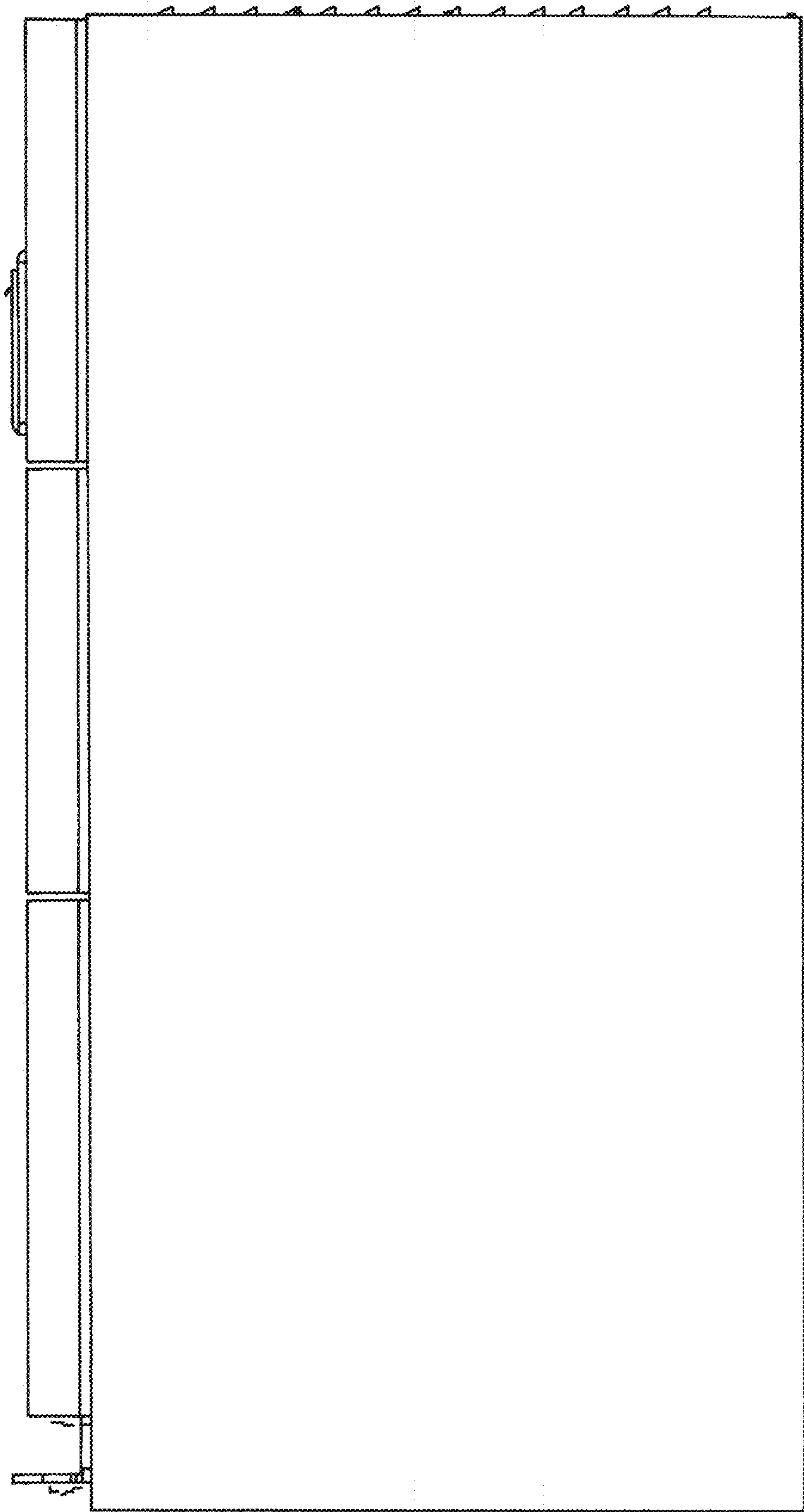


FIG. 4

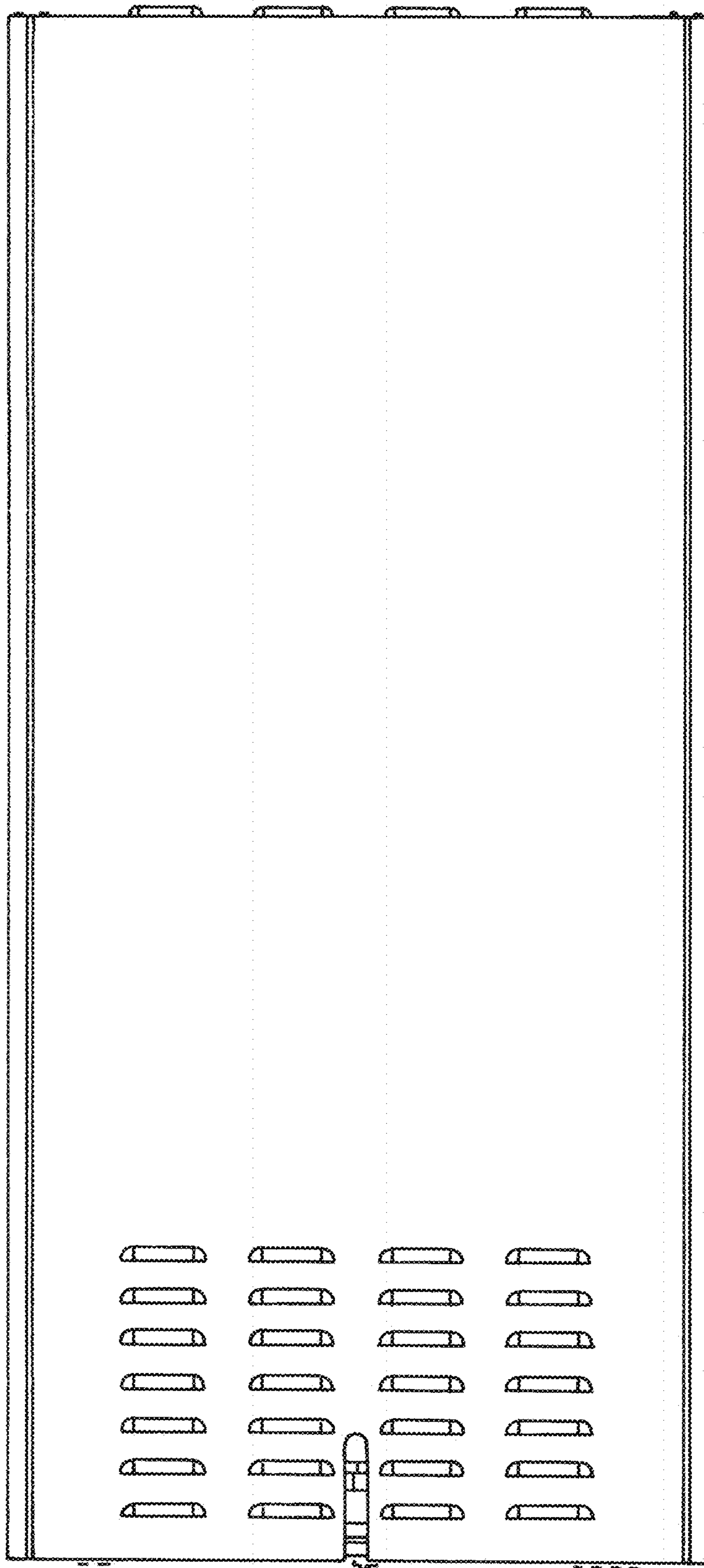


FIG. 5

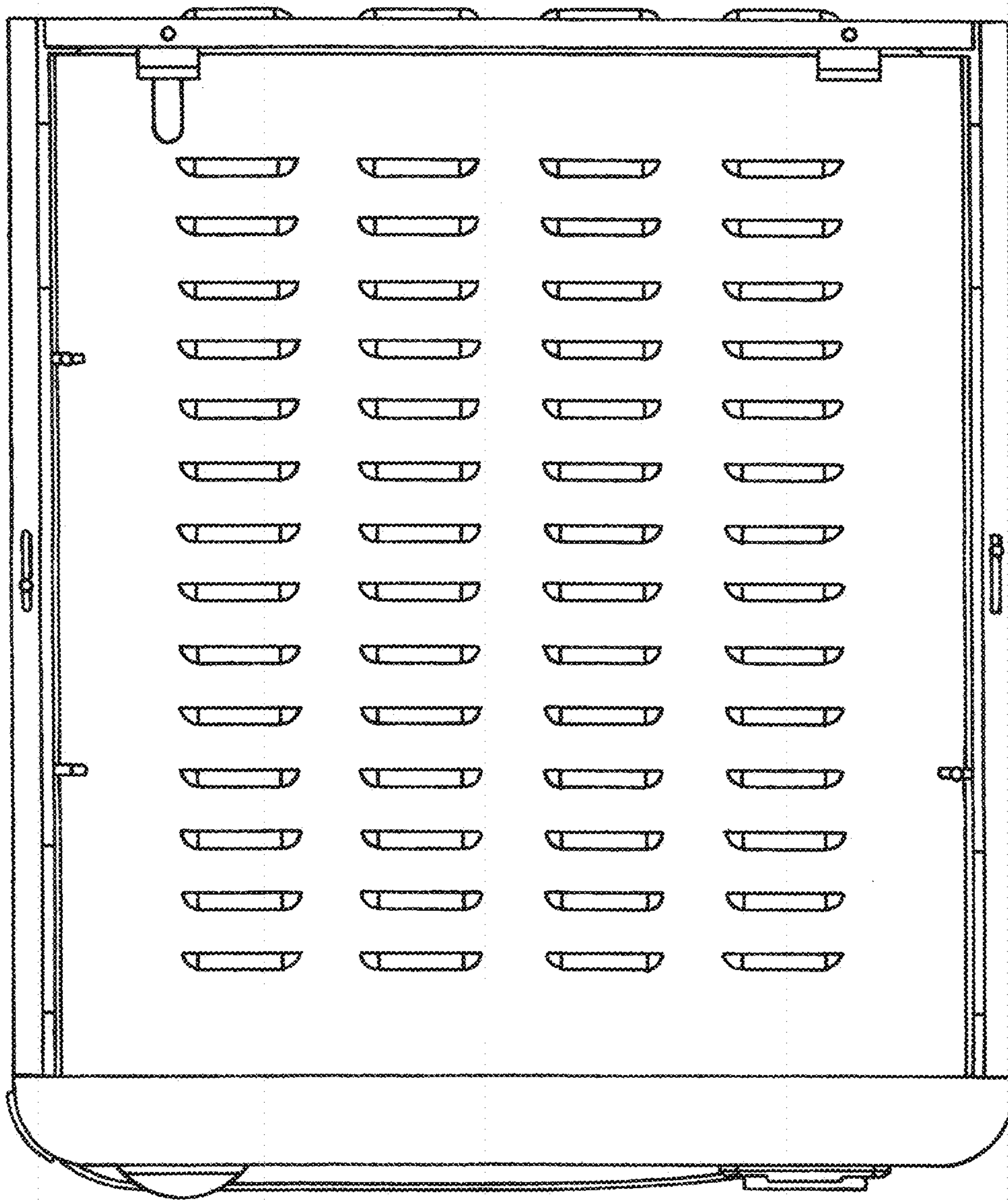


FIG. 6

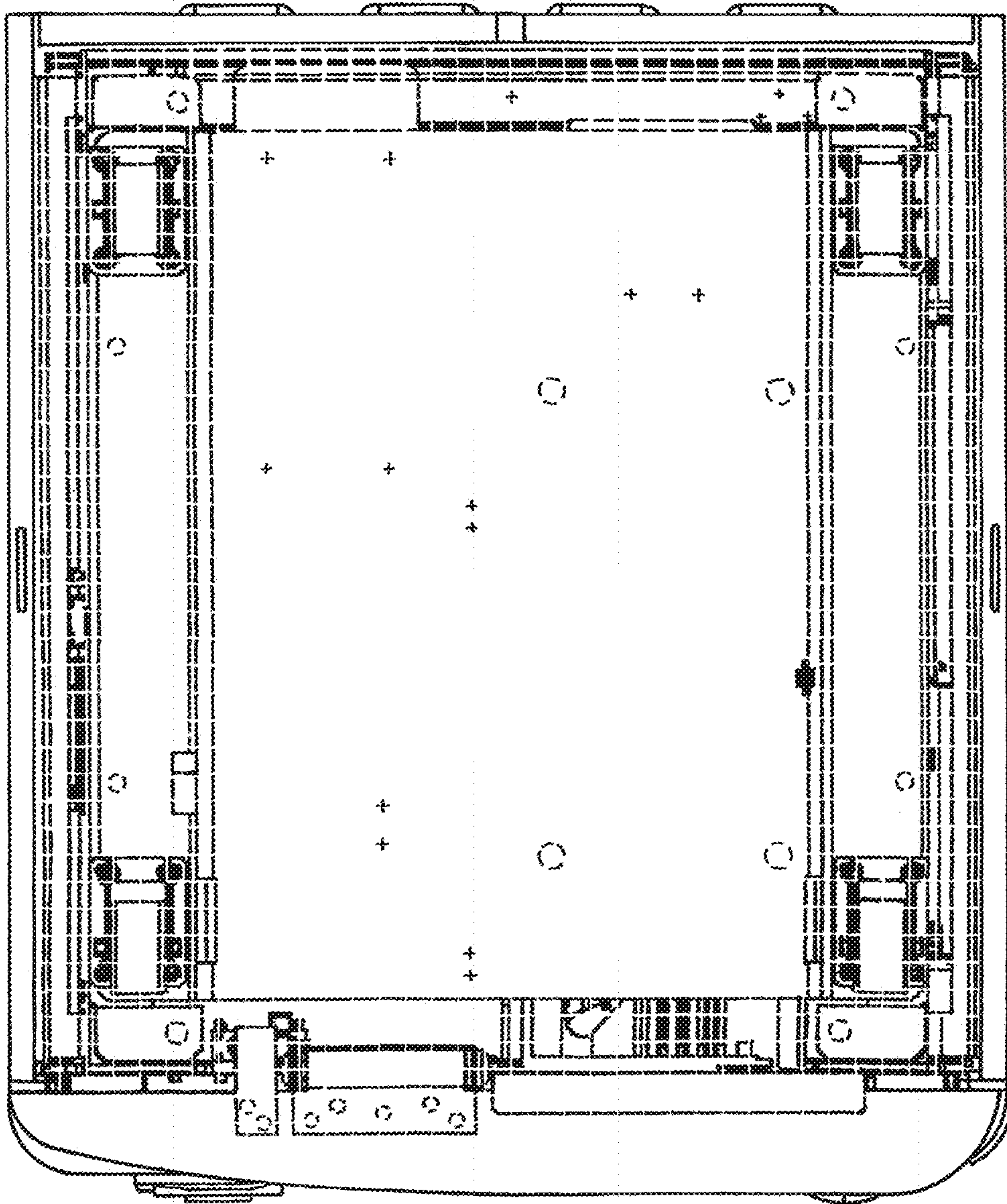


FIG. 7