



US00D908236S

(12) **United States Design Patent**
Mollohan

(10) **Patent No.:** **US D908,236 S**
(45) **Date of Patent:** **** Jan. 19, 2021**

- (54) **MASSAGER**
- (71) Applicant: **PSO-RITE.COM LLC**, Miami, FL (US)
- (72) Inventor: **Mackenzie Mollohan**, Miami, FL (US)
- (73) Assignee: **PSO-RITE.COM LLC**, Miami, FL (US)
- (**) Term: **15 Years**
- (21) Appl. No.: **29/751,010**
- (22) Filed: **Sep. 17, 2020**
- (51) **LOC (13) Cl.** **28-03**
- (52) **U.S. Cl.**
USPC **D24/215**
- (58) **Field of Classification Search**
USPC D21/686, 803, 804, 805, 809; D24/183, D24/184, 190, 191, 215, 234; D25/102, D25/112, 113, 119; D32/40, 43; D6/349, 375, 512, 596, 601, 604, 715, D6/716, 716.1
CPC A61H 7/007; A61H 2201/0134; A61H 39/04; A61H 2201/1614; A61H 2203/0456
See application file for complete search history.

- D332,981 S * 2/1993 Poli D21/686
- D341,426 S 11/1993 Hubbard
- D353,173 S * 12/1994 Almeda D21/687
- D370,066 S * 5/1996 Kennemore D24/183
- D372,157 S * 7/1996 Bonaddio D6/596
- D417,008 S 11/1999 Chien
- D418,920 S 1/2000 Chen
- D421,358 S * 3/2000 Henson D6/595
- D422,829 S * 4/2000 Kritzinger 5/420
- D432,603 S * 10/2000 Bullard, Jr. D21/662
- D495,427 S * 8/2004 Germany D25/113
- D506,587 S * 6/2005 Armaly, Jr. A47L 13/16
D28/63
- D578,718 S * 10/2008 Bettanin D32/40
- D581,715 S * 12/2008 Scheuch D6/601
- D620,135 S * 7/2010 Adam E04C 1/395
D25/113

(Continued)

OTHER PUBLICATIONS

Pso Rite, "PSO Back", Nov. 27, 2020. <https://pso-rite.com/collections/all/products/pso-back>. Shown on p. 1. (Year: 2020).*

Primary Examiner — Cynthia Ramirez
Assistant Examiner — Michael A Maharajh
(74) *Attorney, Agent, or Firm* — Kelley Drye & Warren LLP

(57) **CLAIM**

The ornamental design for a massager, as shown and described.

DESCRIPTION

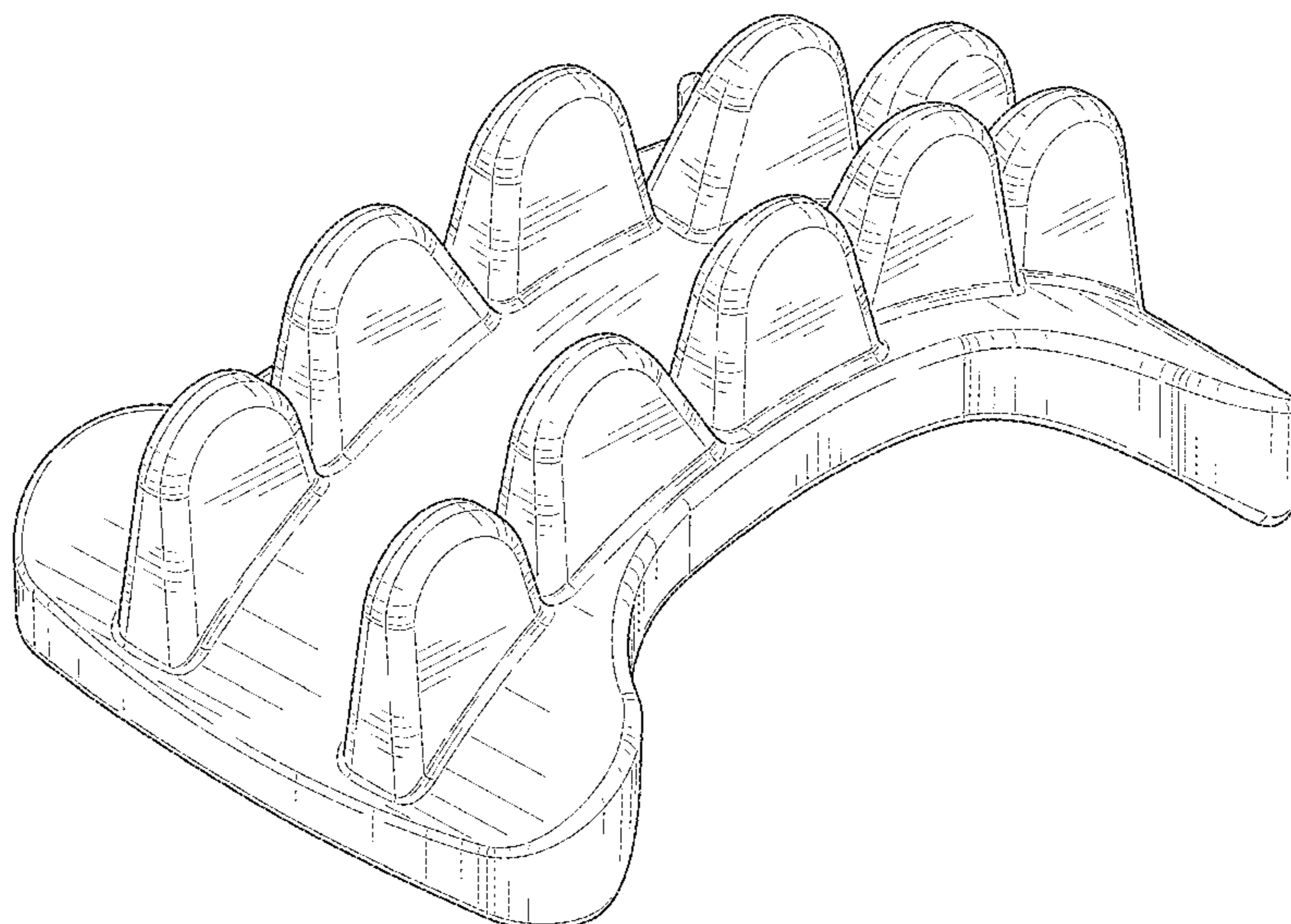
FIG. 1 is a perspective view of a massager;
FIG. 2 is a front view thereof;
FIG. 3 is a rear view thereof;
FIG. 4 is a left side view thereof;
FIG. 5 is a right side view thereof;
FIG. 6 is a top view thereof; and,
FIG. 7 is a bottom view thereof.

1 Claim, 7 Drawing Sheets

(56) **References Cited**

U.S. PATENT DOCUMENTS

- 3,234,623 A * 2/1966 Rector A61G 13/1205
27/21.1
- D269,376 S 6/1983 Nakao
- D280,664 S 9/1985 Ishida
- D285,752 S * 9/1986 Sadow 5/648
- 4,686,724 A * 8/1987 Bedford A61G 7/05707
5/652.1
- D299,169 S * 12/1988 Hall D24/215
- 4,964,418 A * 10/1990 Wilson A61F 5/05883
128/857
- D322,907 S * 1/1992 Raburn D30/120



(56)

References Cited

U.S. PATENT DOCUMENTS

D638,646 S *	5/2011	Penza	D6/601	D835,222 S *	12/2018	Kim	D21/804
D642,694 S *	8/2011	Sharps	D24/190	D859,664 S *	9/2019	Dennewald	D24/183
D663,426 S *	7/2012	Davis, III	D24/183	D863,824 S *	10/2019	Comercio	D6/601
D687,958 S *	8/2013	Turner	D24/215	D868,278 S	11/2019	Smith	
D711,000 S *	8/2014	Ravikumar	D24/184	D872,199 S *	1/2020	Krishock	D21/686
D725,407 S *	3/2015	McCracken	D6/601	D877,916 S *	3/2020	Gewant	D24/184
D728,799 S *	5/2015	Ravikumar	D24/184	D879,989 S	3/2020	Mollohan	
D732,182 S	6/2015	Viner		D882,809 S *	4/2020	Kidd	D24/215
D732,311 S *	6/2015	Lord	D6/601	D889,146 S *	7/2020	Gupta	D6/349
D733,897 S *	7/2015	Rossouw	D24/190	D898,447 S *	10/2020	Xu	D6/601
D763,450 S *	8/2016	Maus	D24/184	D899,536 S *	10/2020	Endelman	D21/686
D768,946 S *	10/2016	Anderson	D32/40	2013/0131562 A1 *	5/2013	Wu	A61H 7/007
D781,429 S *	3/2017	Westdyk	D24/190				601/112
D808,532 S *	1/2018	Richey	D24/183	2015/0047646 A1 *	2/2015	Marinkovic	A61H 1/008
D813,481 S *	3/2018	Jack	D32/40				128/845
D820,460 S *	6/2018	Gewant	D24/184	2015/0374570 A1 *	12/2015	Belin	A61H 1/0244
D823,479 S	7/2018	Mollohan					601/5
				2017/0348175 A1	12/2017	Emmel	
				2019/0046395 A1	2/2019	Routledge	

* cited by examiner

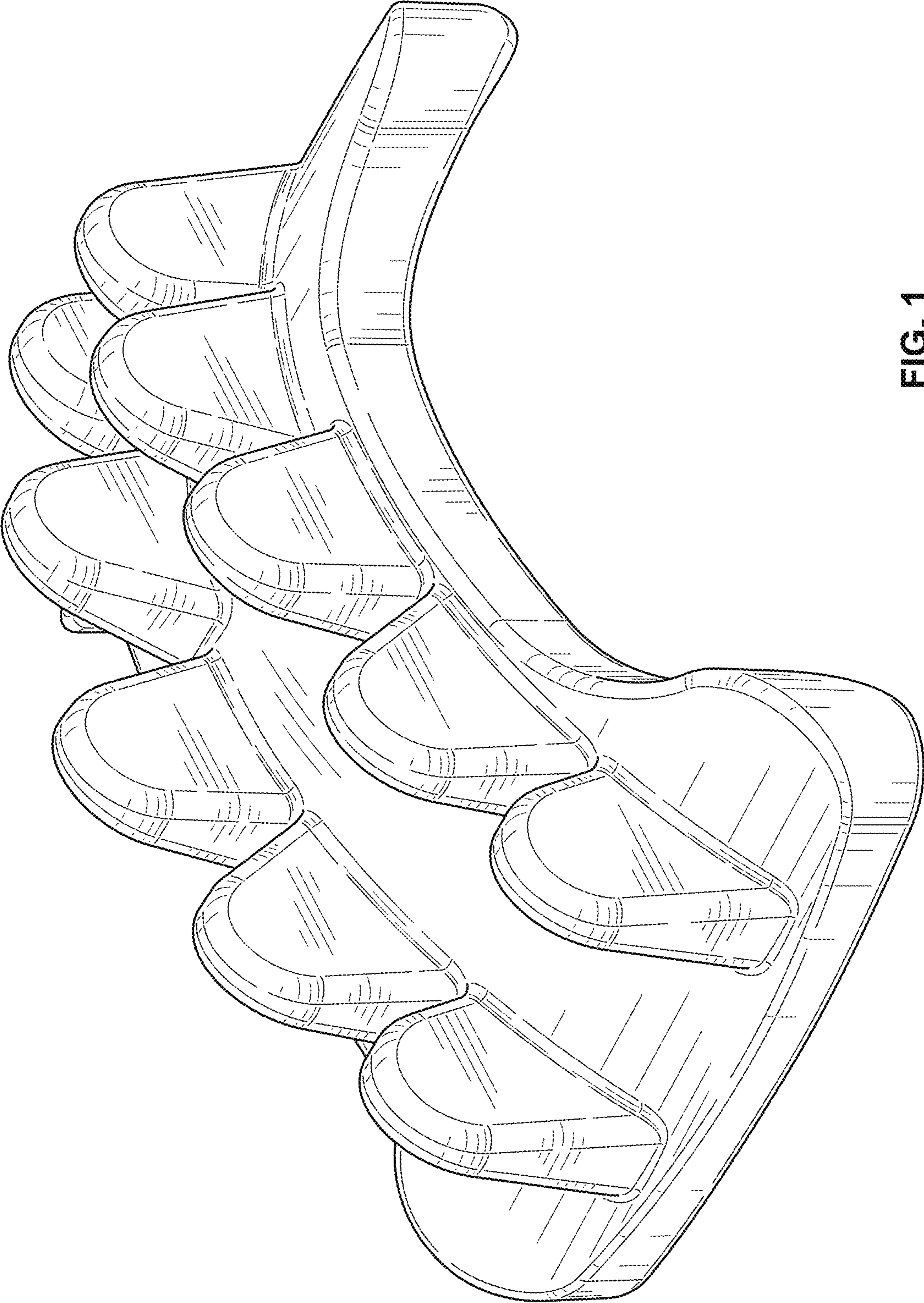


FIG. 1

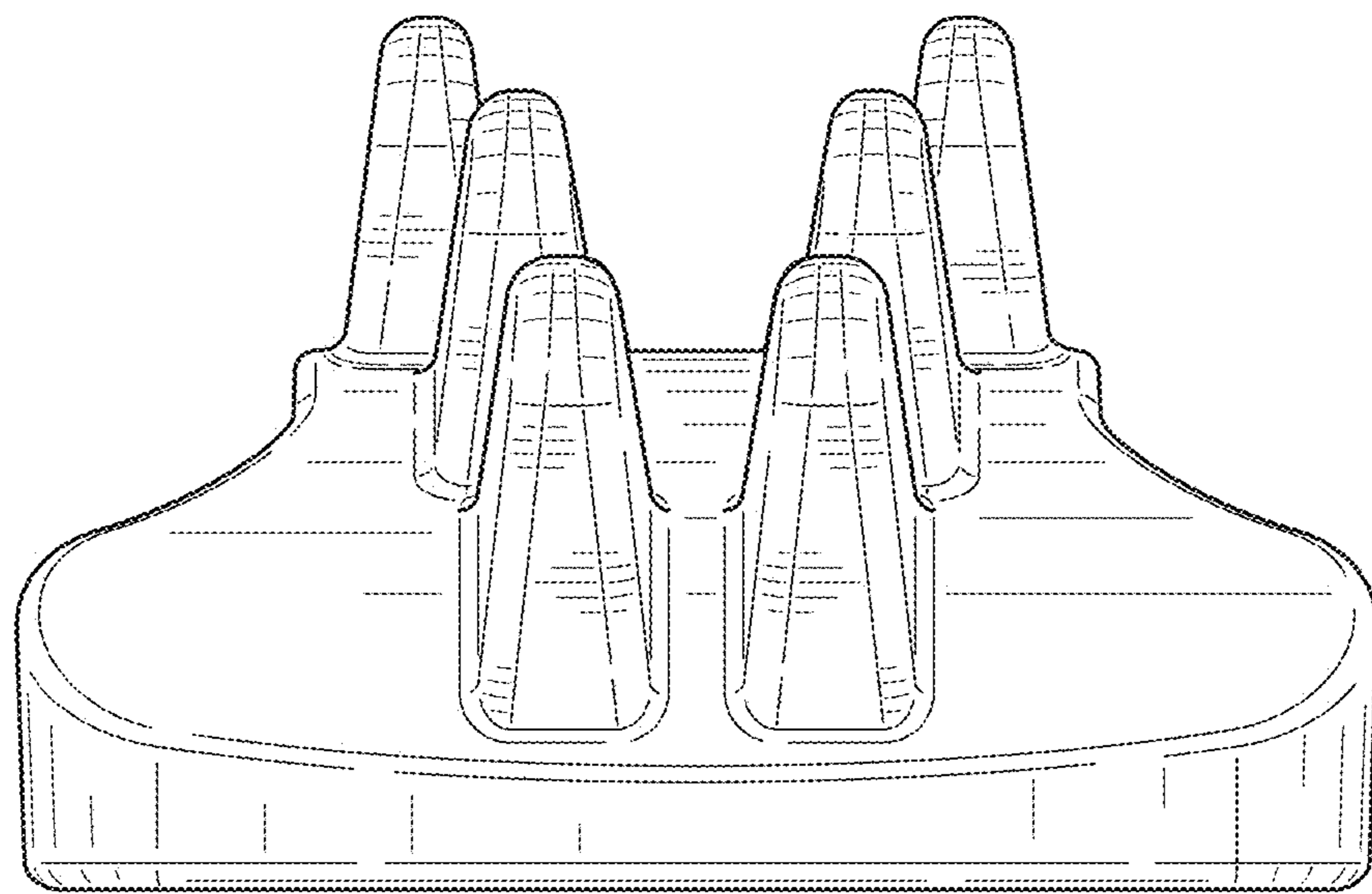


FIG. 2

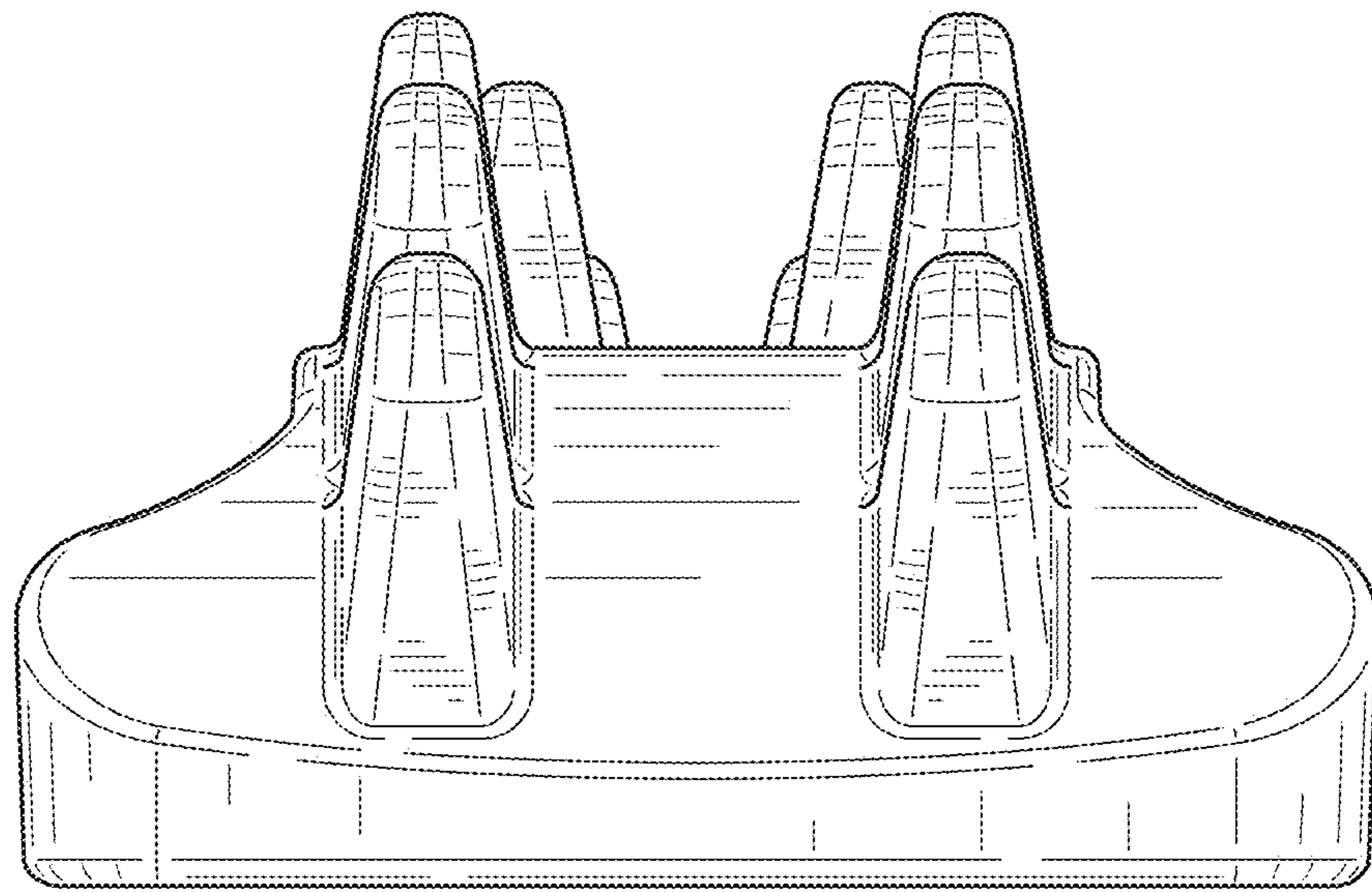


FIG. 3

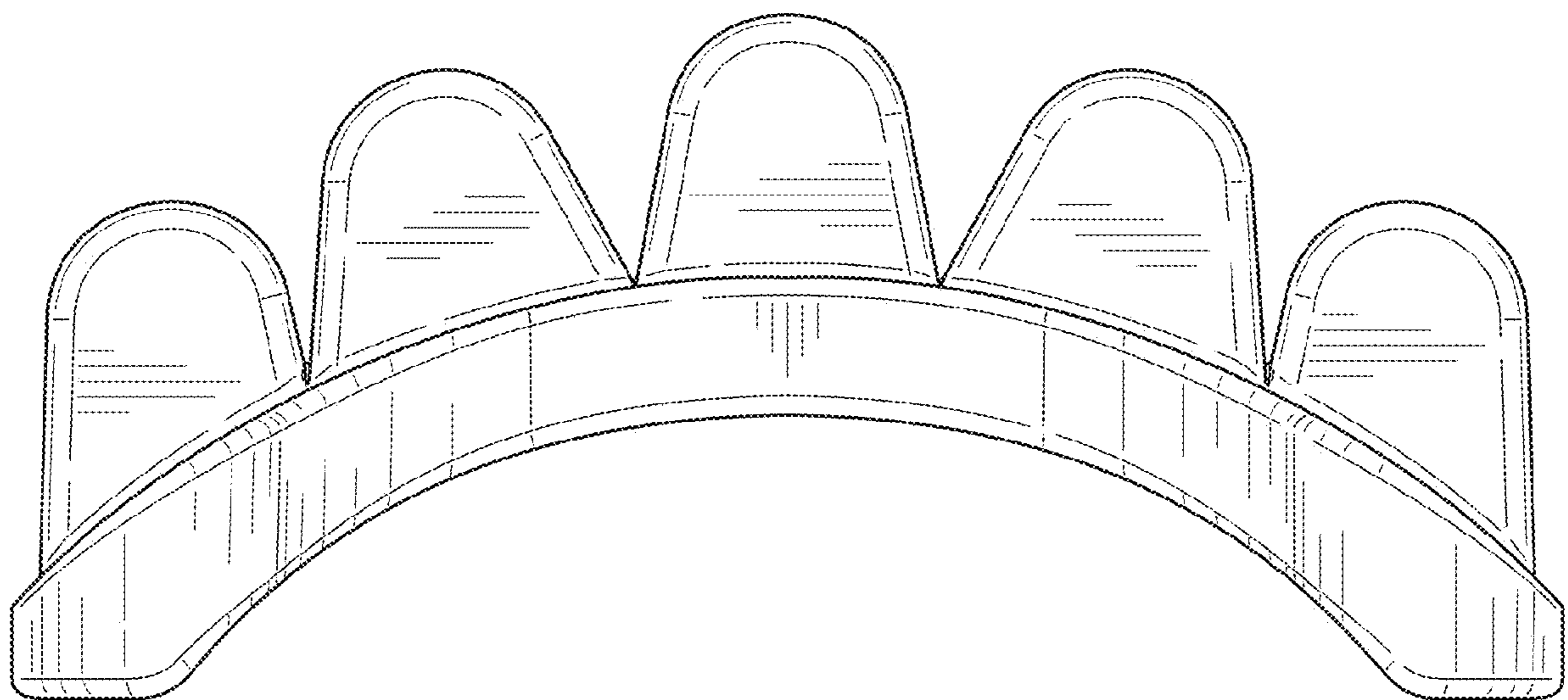


FIG. 4

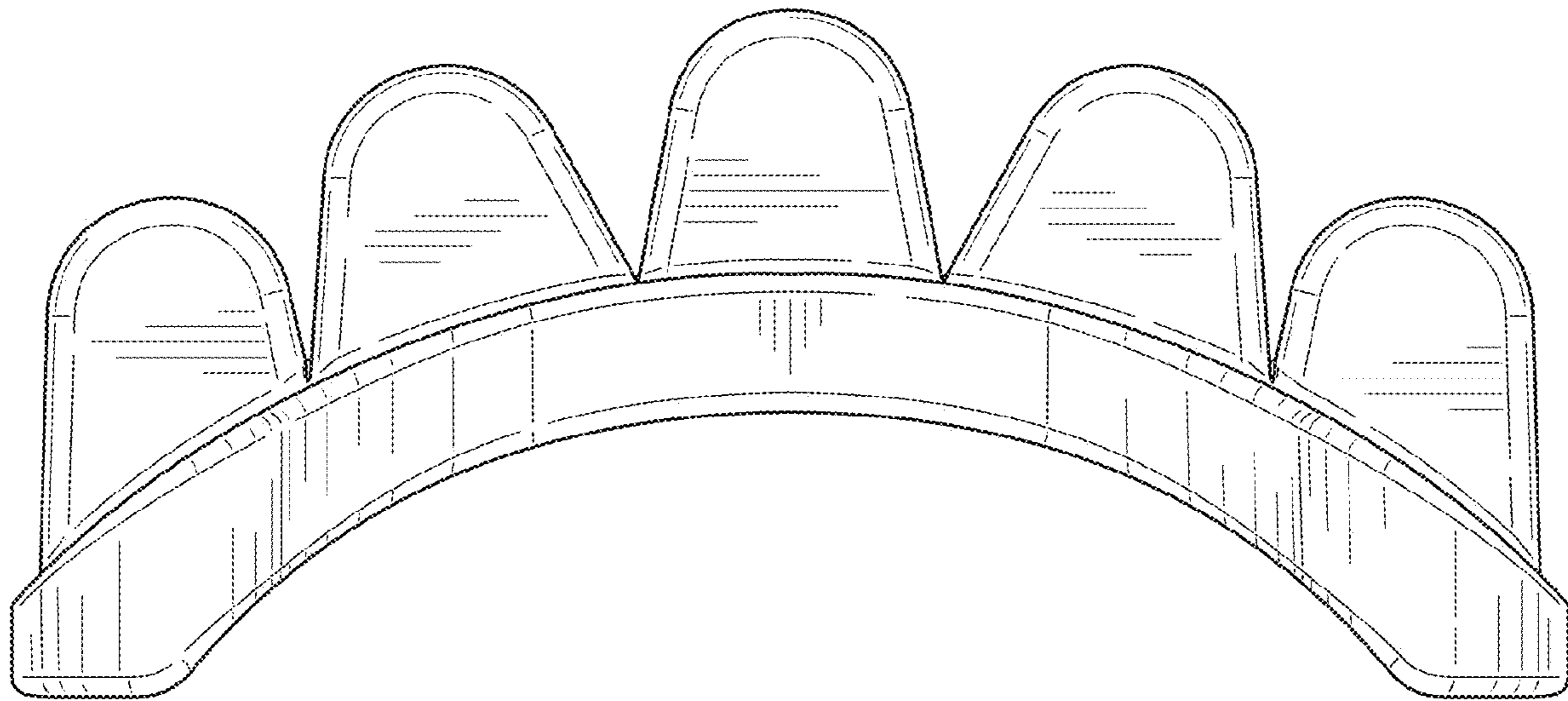


FIG. 5

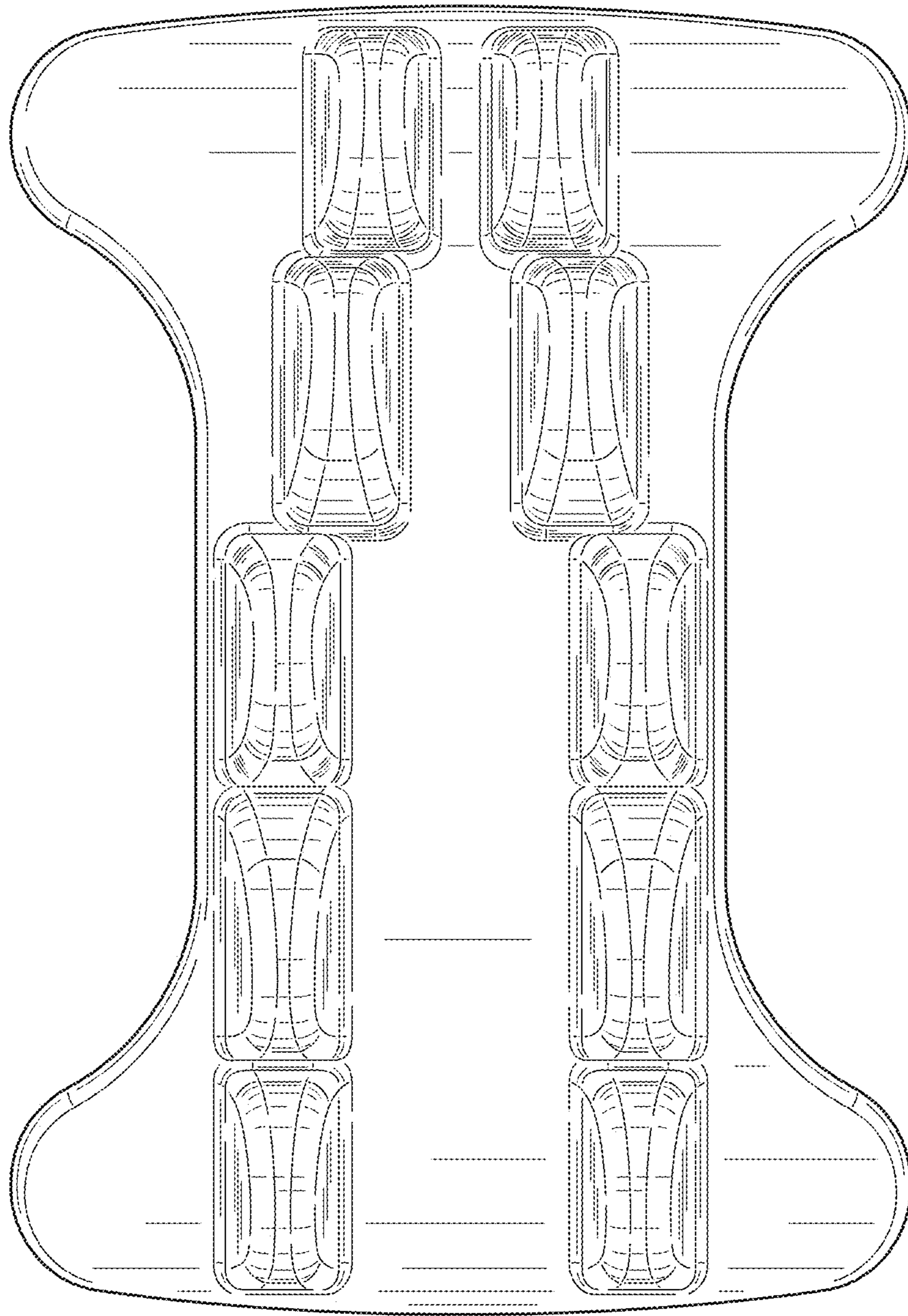


FIG. 6

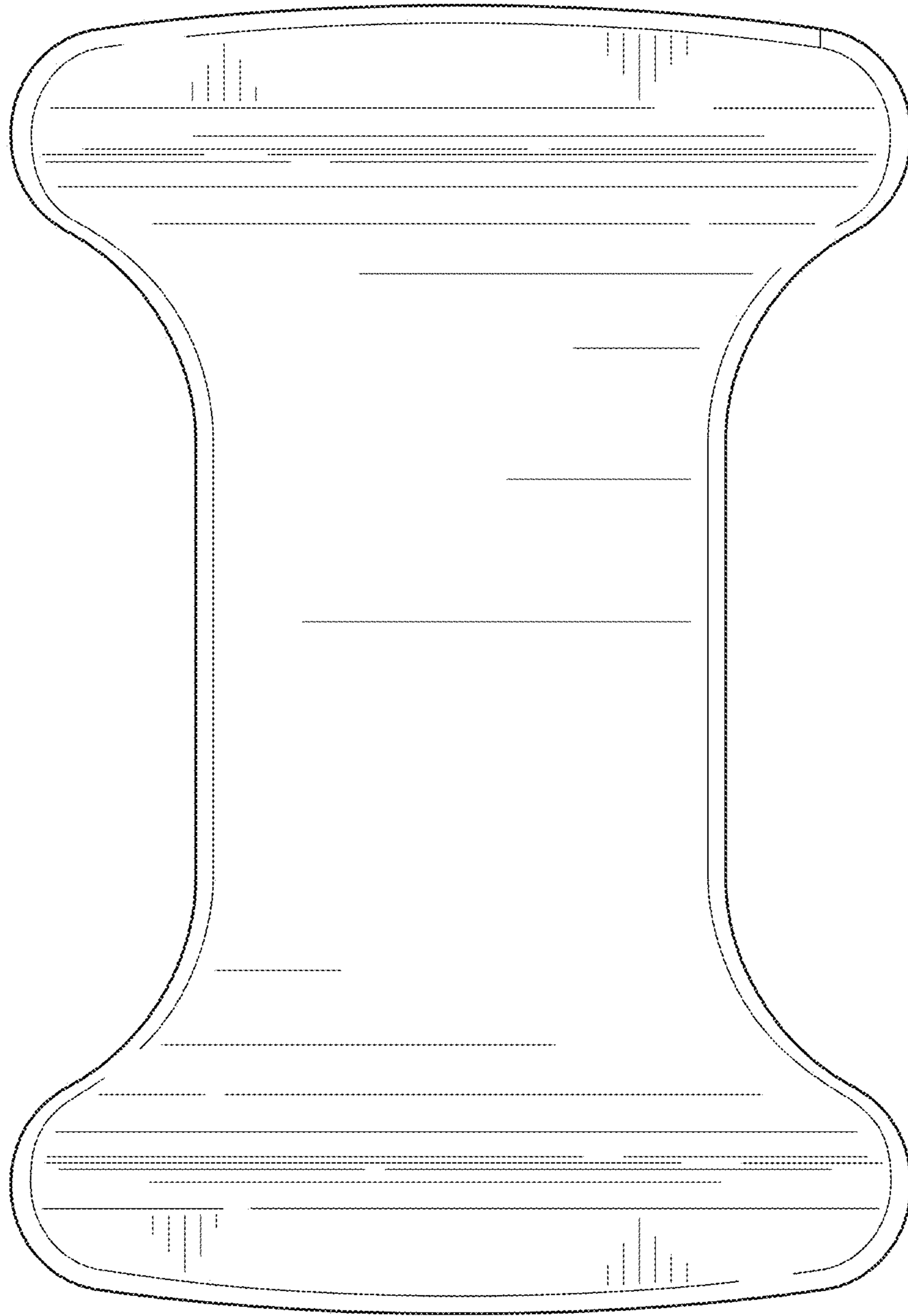


FIG. 7