



US00D908235S

(12) **United States Design Patent** (10) **Patent No.:** **US D908,235 S**
Marton et al. (45) **Date of Patent:** **** *Jan. 19, 2021**

(54) **APPLICATOR HEAD FOR PERCUSSIVE MASSAGE DEVICE**

(71) Applicant: **Hyper Ice, Inc.**, Irvine, CA (US)

(72) Inventors: **Robert Marton**, Yorba Linda, CA (US); **Anthony Katz**, Laguna Niguel, CA (US)

(73) Assignee: **Hyper Ice, Inc.**, Irvine, CA (US)

(*) Notice: This patent is subject to a terminal disclaimer.

(**) Term: **15 Years**

(21) Appl. No.: **29/694,192**

(22) Filed: **Jun. 7, 2019**

(51) **LOC (13) Cl.** **28-03**

(52) **U.S. Cl.**
USPC **D24/215**

(58) **Field of Classification Search**
USPC D24/200, 211, 212, 213, 214, 215;
D30/160; D4/113
CPC A61H 15/00; A61H 2015/0064
See application file for complete search history.

(56) **References Cited**

U.S. PATENT DOCUMENTS

D197,889 S *	4/1964	Hass	D24/194
D263,077 S *	2/1982	Stanton	D24/212
D277,983 S *	3/1985	Kaminski	D24/214
D281,723 S *	12/1985	Alstead	D24/214
D306,344 S *	2/1990	Watkins	D24/201
D319,854 S *	9/1991	Geary	D21/662
D357,322 S *	4/1995	Matthews	D24/200
5,577,983 A *	11/1996	Fraser	A63B 23/032 433/140
D377,100 S *	12/1996	Gladieux, Jr.	D24/211
6,758,826 B2	7/2004	Luetgen et al.		

7,169,169 B2 *	1/2007	Tucek	A61H 1/008 601/108
D548,354 S *	8/2007	Lai	D24/214
D581,542 S *	11/2008	Ferber	D24/214
D581,543 S *	11/2008	Ferber	D24/215
D582,049 S *	12/2008	Ferber	D24/214
7,481,783 B1 *	1/2009	Kelley	A61H 15/0092 601/128
D607,116 S *	12/2009	Morganstern	D24/211
D615,662 S *	5/2010	Turner	D24/200
D627,897 S *	11/2010	Yde	D24/214
D650,086 S *	12/2011	Fuster	D24/215
D650,087 S *	12/2011	Huang	D24/215

(Continued)

OTHER PUBLICATIONS

Hyperice, "Hypervolt Applicator Set", Aug. 5, 2020. <https://hyperice.com/hypervolt-applicator-set>. Shown on p. 1. (Year: 2020).*

(Continued)

Primary Examiner — Cynthia Ramirez

Assistant Examiner — Michael A Maharajh

(74) *Attorney, Agent, or Firm* — Patterson Intellectual Property Law, P.C.; Jerry Turner Sewell

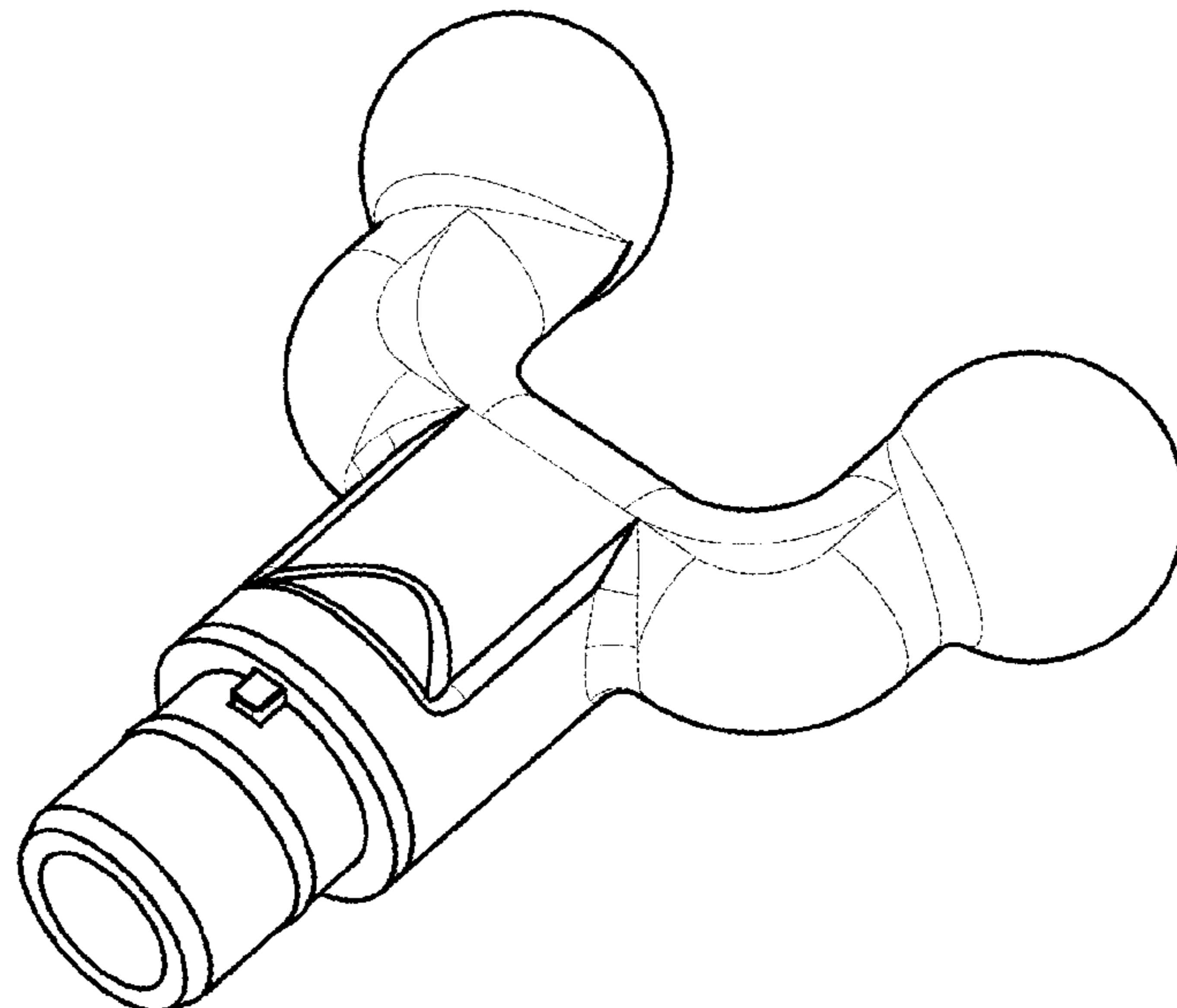
(57) **CLAIM**

The ornamental design for an applicator head for percussive massage device, as shown and described.

DESCRIPTION

FIG. 1 is an upper perspective view of an applicator head for percussive massage device, showing our new design; FIG. 2 is a lower perspective view thereof; FIG. 3 is a top plan view thereof; FIG. 4 is a bottom plan view thereof; FIG. 5 is a front view thereof; FIG. 6 is a rear view thereof; FIG. 7 is a right side view thereof; and, FIG. 8 is a left side view thereof.

1 Claim, 3 Drawing Sheets



(56)

References Cited

U.S. PATENT DOCUMENTS

8,083,699 B2 12/2011 Colloca et al.
 D667,131 S * 9/2012 Faussett D24/215
 D673,285 S * 12/2012 Rivero D24/215
 D719,273 S * 12/2014 Chen D24/215
 D719,274 S * 12/2014 Chen D24/215
 D725,790 S * 3/2015 Givord D24/214
 D732,184 S * 6/2015 Chou D24/215
 D755,985 S * 5/2016 Porat D24/215
 D810,280 S * 2/2018 Tharp D24/112
 D830,569 S * 10/2018 Solomon D24/215
 D837,395 S * 1/2019 Gan D24/214
 D844,163 S * 3/2019 Du D24/215
 D845,499 S * 4/2019 Wersland D24/211
 10,314,762 B1 6/2019 Marton et al.
 D865,192 S * 10/2019 Nazarian D24/200
 D872,295 S * 1/2020 Friedman D24/215
 D890,353 S * 7/2020 Nazarian D24/200
 D890,989 S * 7/2020 Huchet D28/7
 D891,709 S * 7/2020 Coopersmith D30/158

2003/0195443 A1 10/2003 Miller
 2004/0260213 A1* 12/2004 Szczepanski A61H 15/0085
 601/46
 2005/0131461 A1 6/2005 Tucek et al.
 2013/0289457 A1* 10/2013 Young A61H 23/0263
 601/160
 2016/0151234 A1* 6/2016 Chen A61H 15/0078
 601/113
 2016/0235625 A1* 8/2016 Lee A61H 15/00
 2016/0256348 A1* 9/2016 Giraud A61H 15/0085
 2019/0015294 A1 1/2019 Nazarian et al.
 2019/0232403 A1* 8/2019 Candelaria A61H 23/006

OTHER PUBLICATIONS

Amazon, "Hypervolt_5 Interchangeable Attachment Heads", Sep. 7, 2018. https://www.amazon.com/Hyperice-Hypervolt-Portable-Massage-Device/dp/B07BDLGRTN/ref=cm_cr_arp_d_product_top?ie=UTF8. Shown on p. 1. (Year: 2018).*

* cited by examiner

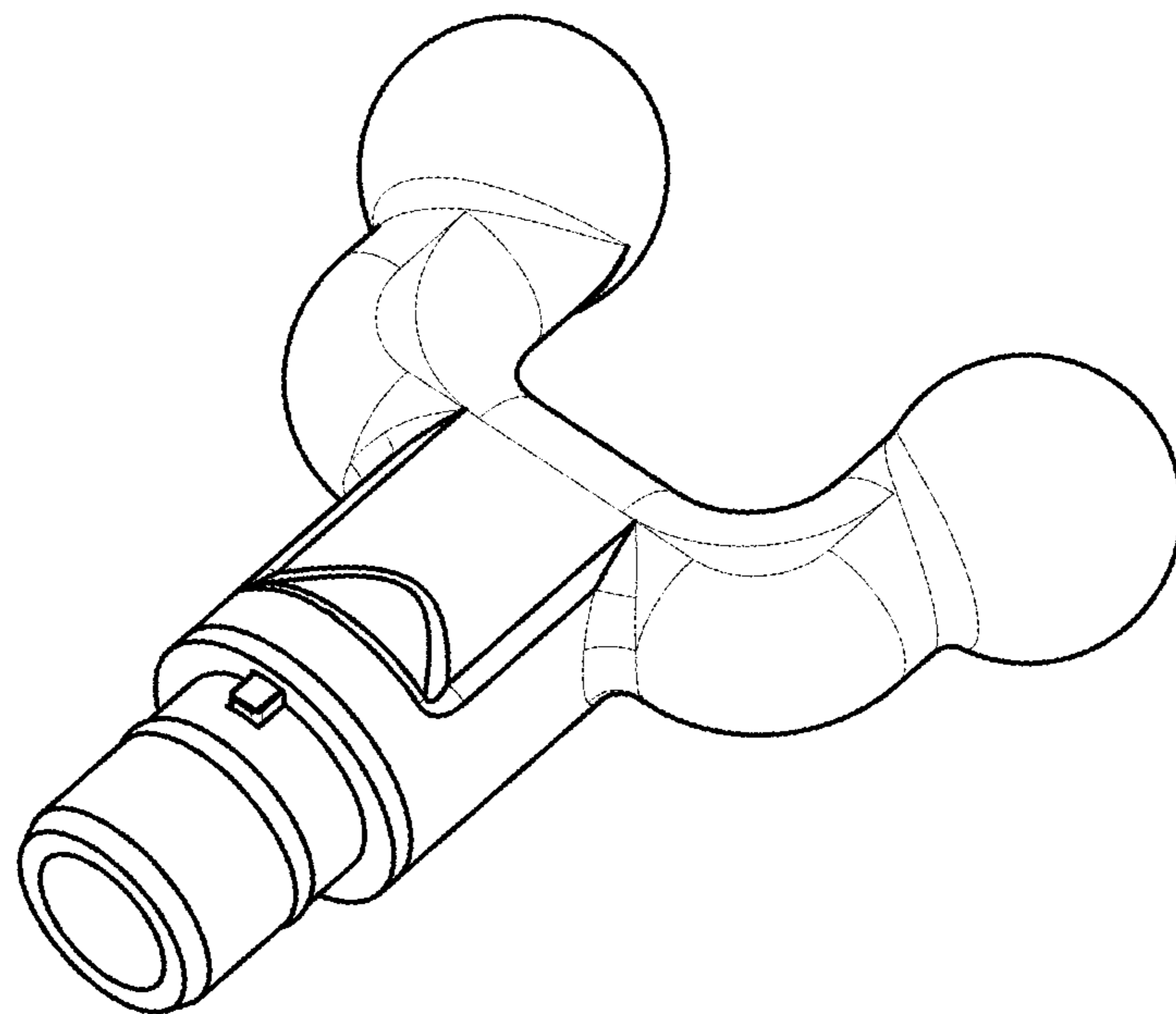


Fig. 1

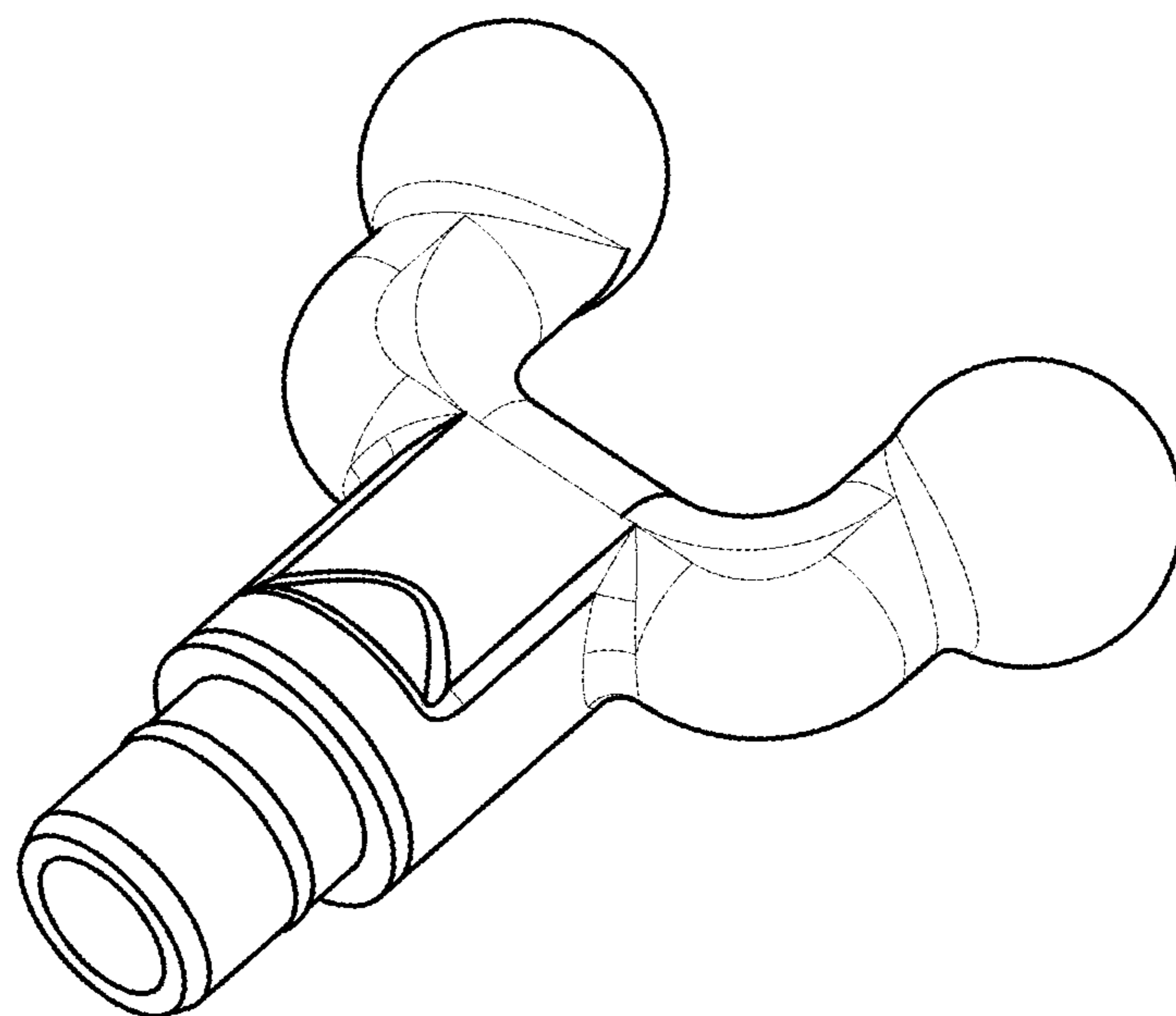


Fig. 2

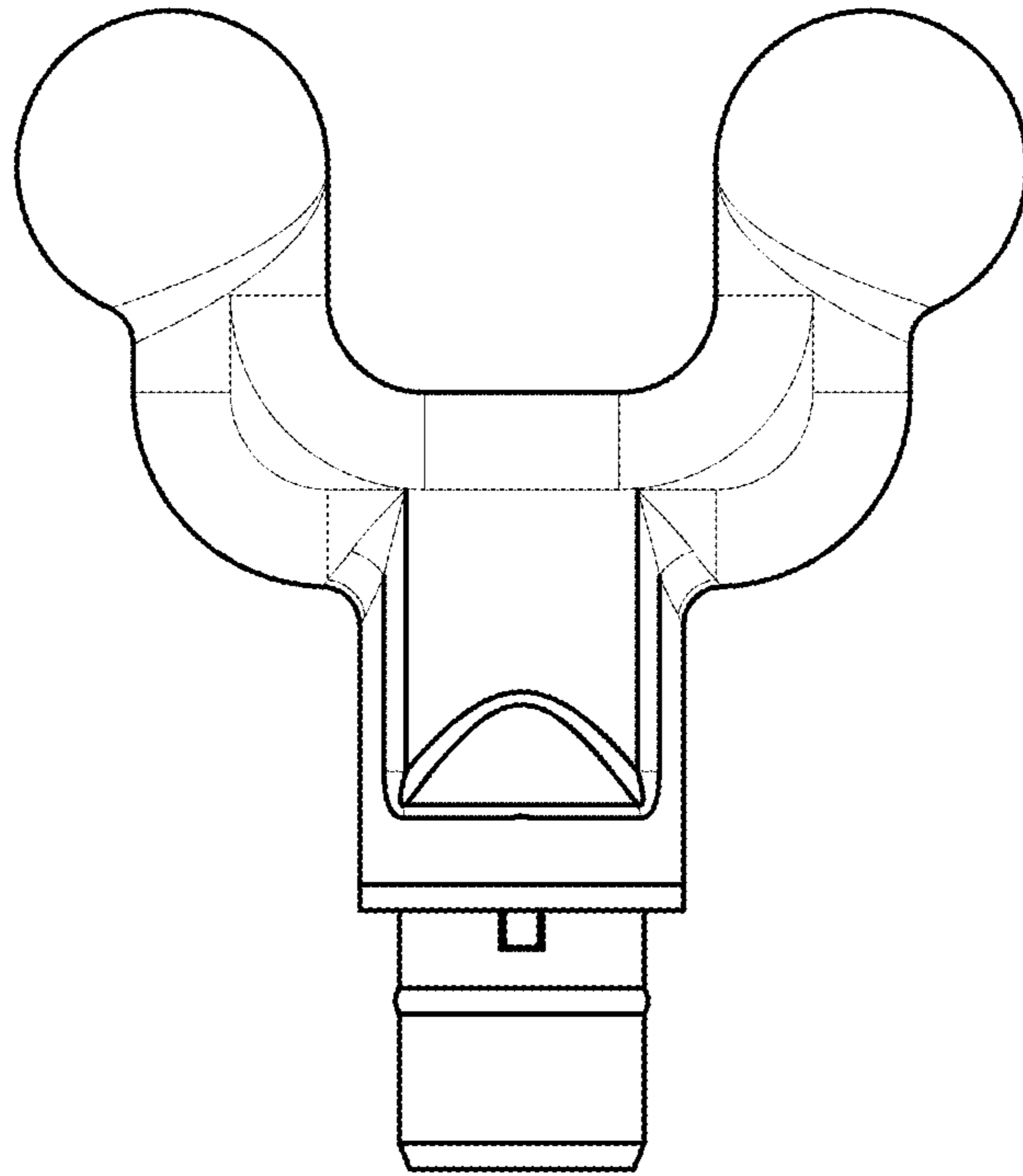


Fig. 3

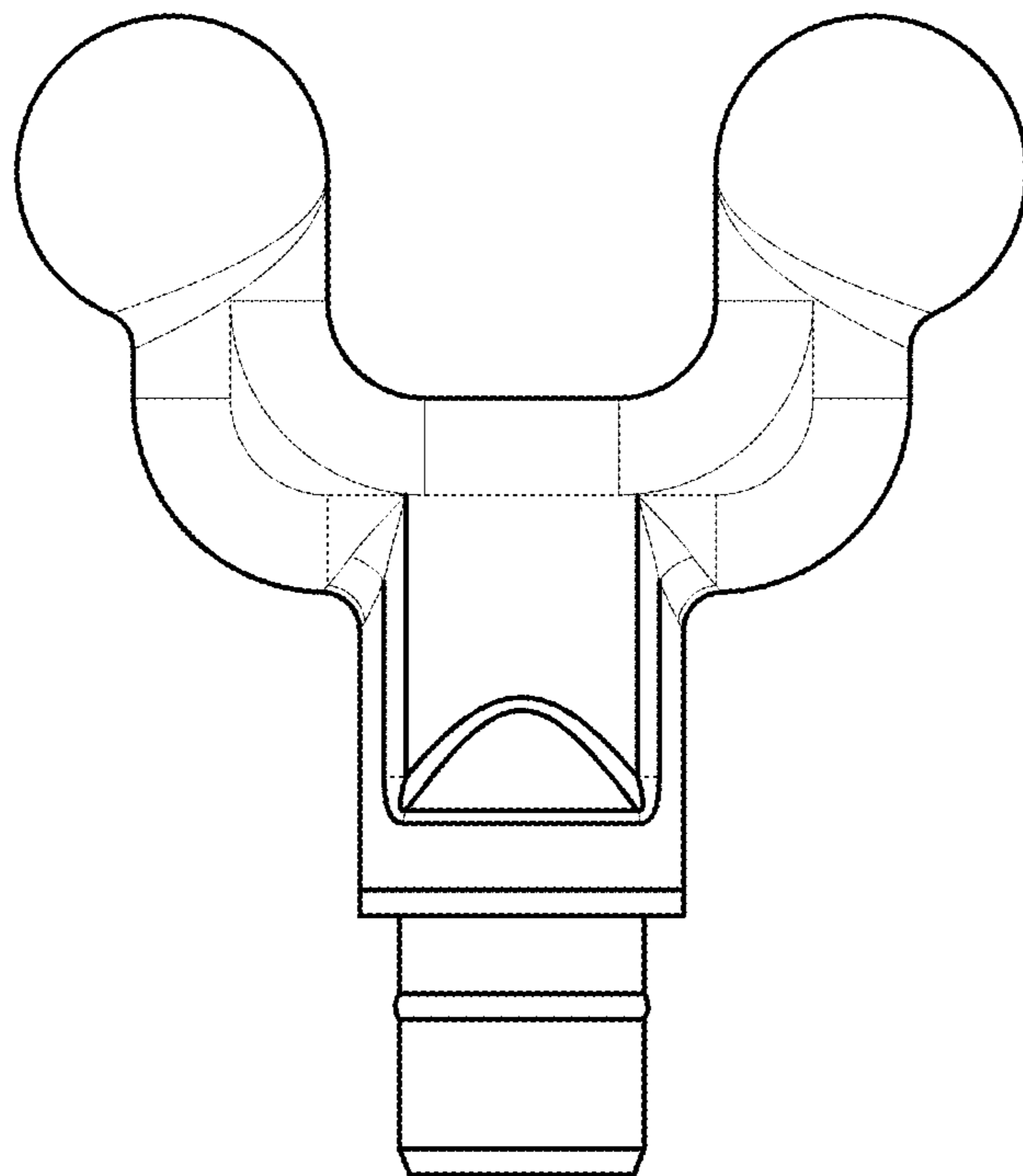


Fig. 4

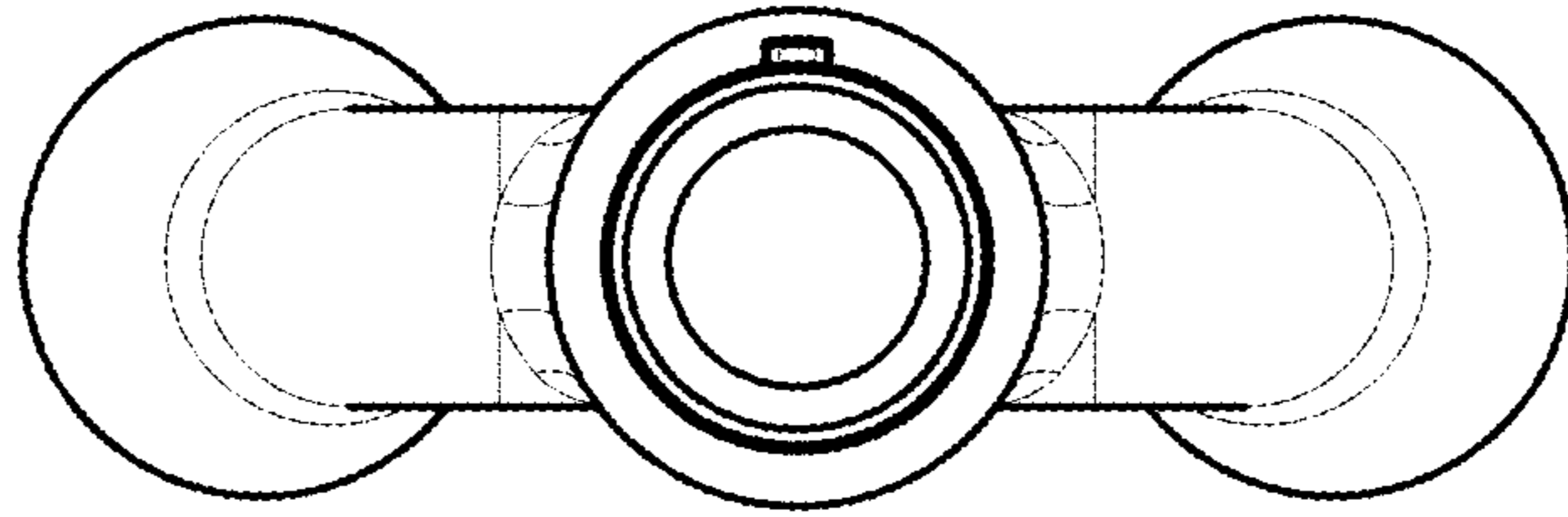


Fig. 5

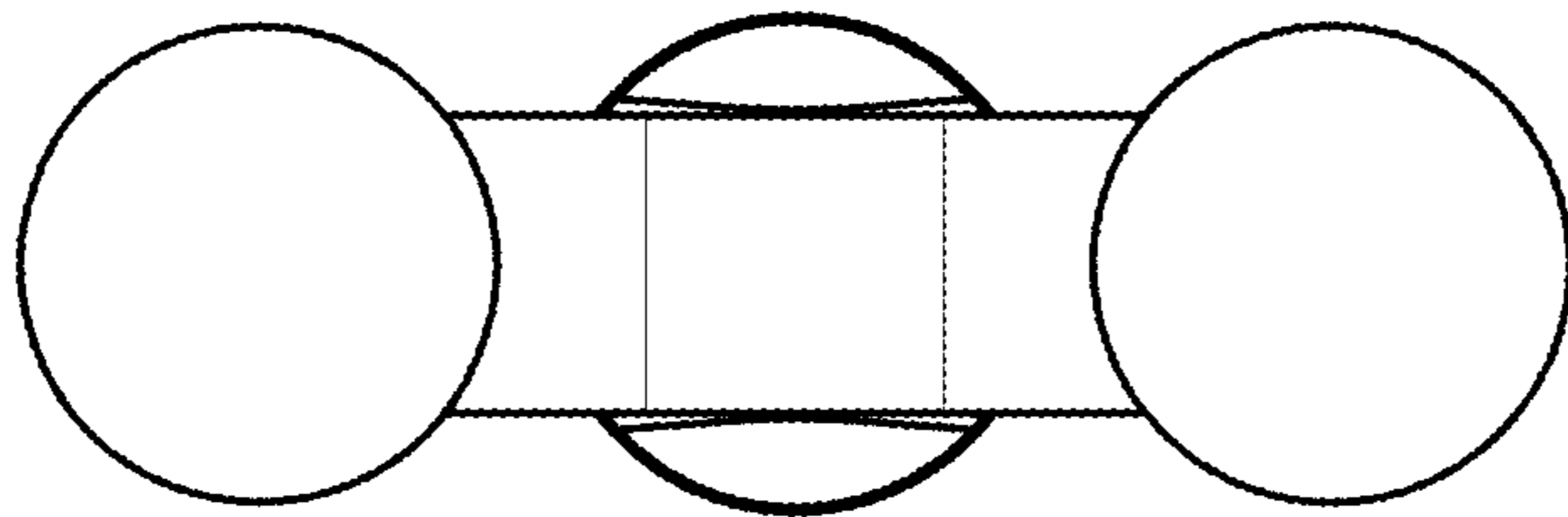


Fig. 6

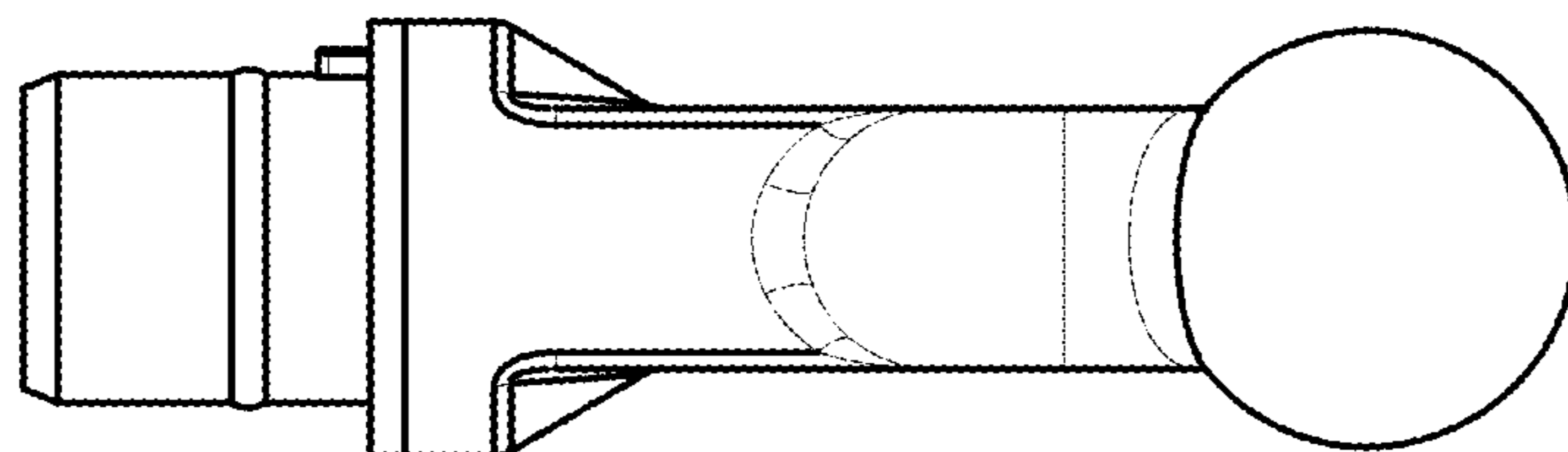


Fig. 7

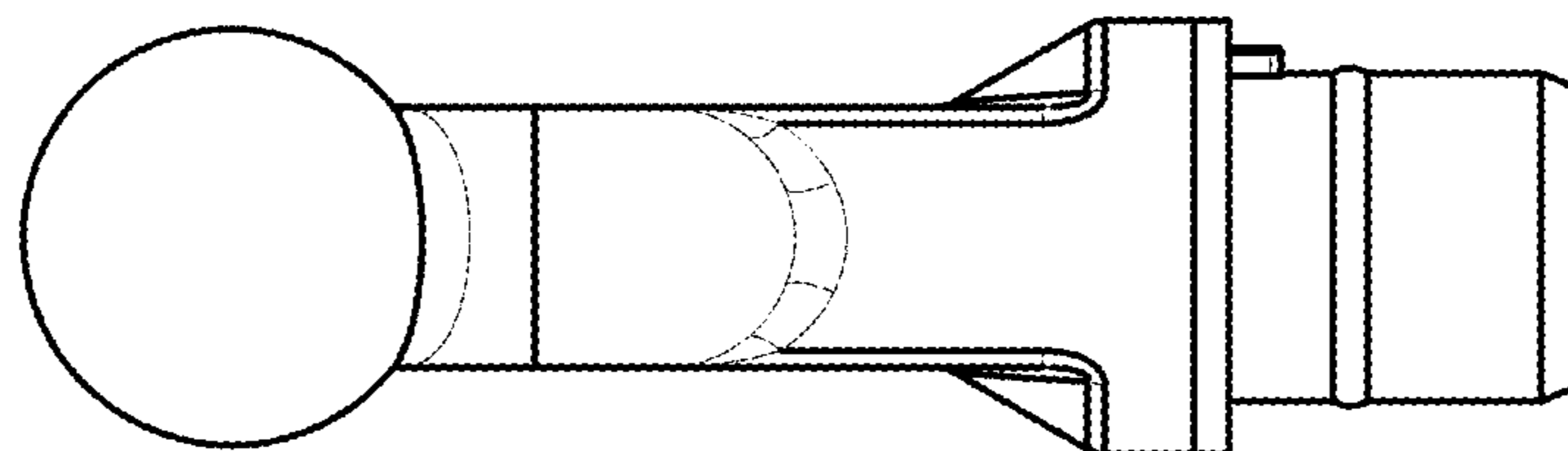


Fig. 8