



US00D908231S

(12) **United States Design Patent** (10) **Patent No.:** **US D908,231 S**
Ye (45) **Date of Patent:** **** Jan. 19, 2021**

(54) **MASSAGER**
(71) Applicant: **Jiyan Ye**, Guangdong (CN)
(72) Inventor: **Jiyan Ye**, Guangdong (CN)
(**) Term: **15 Years**

2008/0081946 A1* 4/2008 McCaffrey A61H 19/44
600/38
2016/0166465 A1* 6/2016 Marson A61H 15/00
601/121
2017/0165150 A1* 6/2017 Whitney A61H 19/44
2017/0258456 A1* 9/2017 Wu A61H 19/00
2019/0282439 A1* 9/2019 Ray A61H 19/44

(21) Appl. No.: **29/698,566**
(22) Filed: **Jul. 18, 2019**
(51) **LOC (13) Cl.** **28-03**
(52) **U.S. Cl.**
USPC **D24/200**
(58) **Field of Classification Search**
USPC D24/200, 214-215; D21/662
CPC A61H 19/00; A61H 19/44; A61H 19/50;
A61H 19/30; A61H 19/32; A61H 19/34;
A61H 19/40; A61H 1/001; A61H
2205/087; A47C 15/008
See application file for complete search history.

FOREIGN PATENT DOCUMENTS

CN 305628465 * 7/2019

* cited by examiner

Primary Examiner — Wan Laymon

(57) **CLAIM**

The ornamental design for a massager, as shown and described.

DESCRIPTION

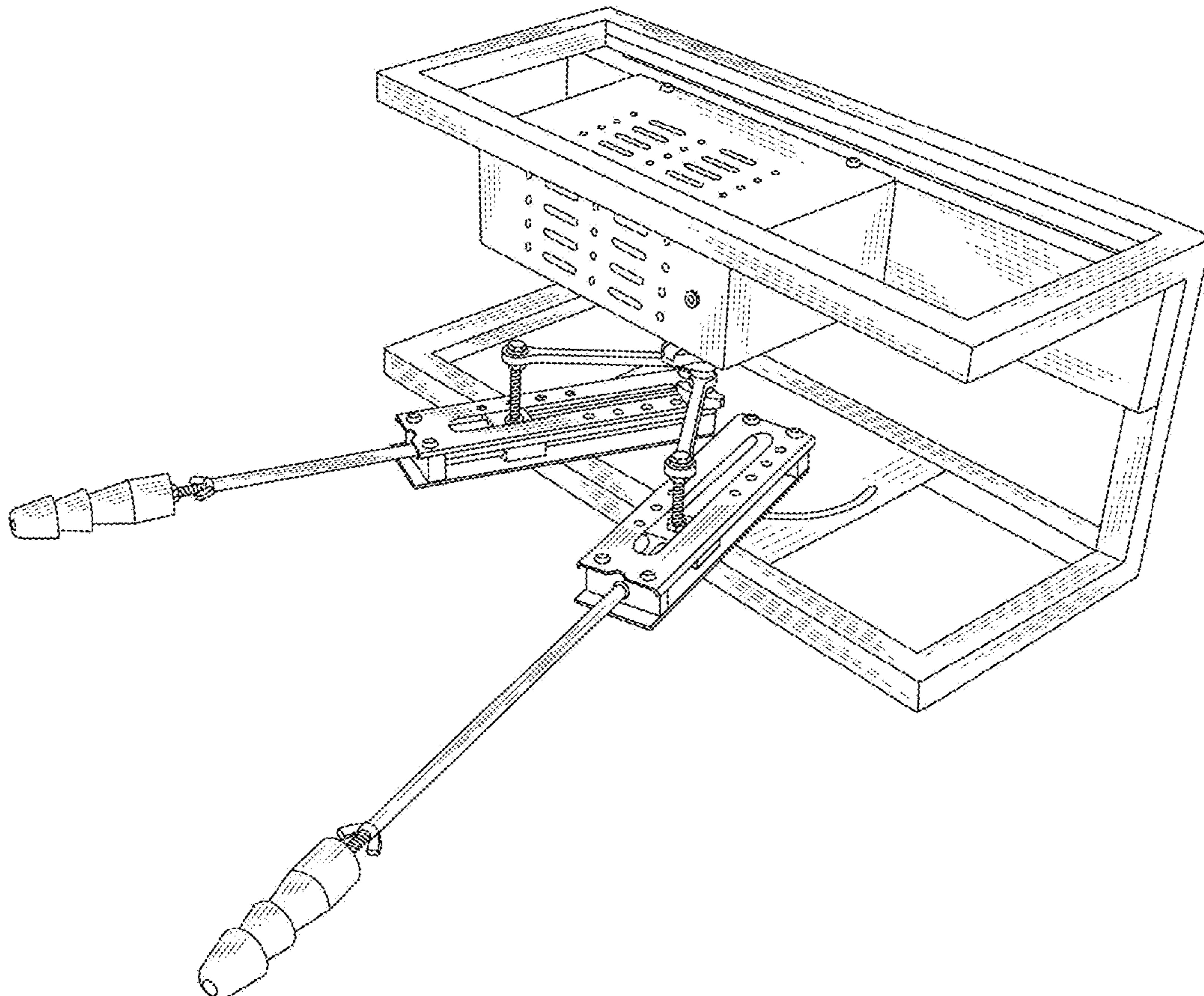
FIG. 1 is a perspective view of a massager showing my new design;
FIG. 2 is another perspective view thereof;
FIG. 3 is a front elevation view thereof;
FIG. 4 is a rear elevation view thereof;
FIG. 5 is a left side elevation view thereof;
FIG. 6 is a right side elevation view thereof;
FIG. 7 is a top plan view thereof; and,
FIG. 8 is a bottom plan view thereof.

(56) **References Cited**

U.S. PATENT DOCUMENTS

9,808,396 B2* 11/2017 Ferrari A61H 19/44
D824,036 S * 7/2018 Hu D24/200
D868,274 S * 11/2019 Hu D24/200
2003/0176819 A1* 9/2003 Kim A61H 19/30
601/98

1 Claim, 8 Drawing Sheets



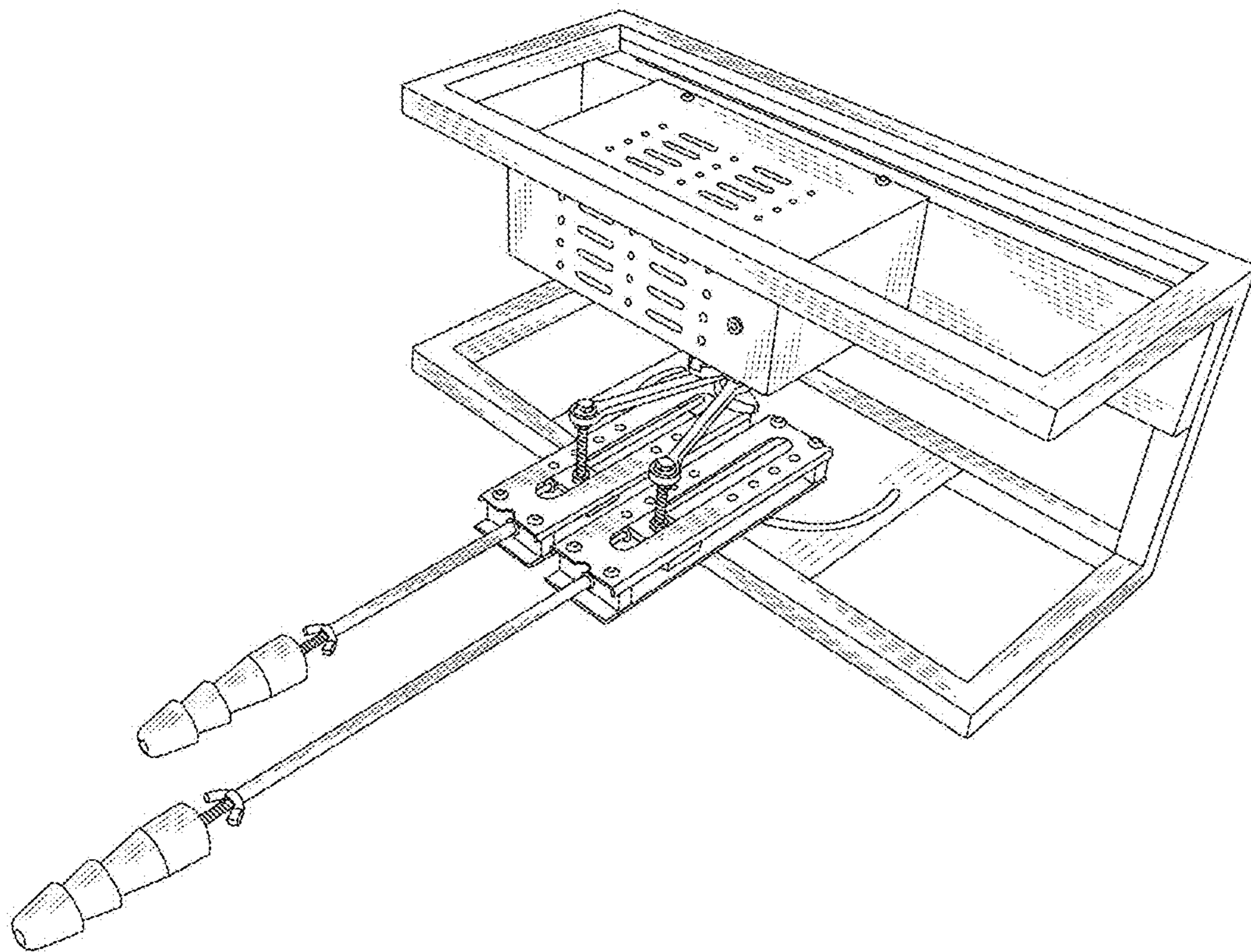


FIG.1

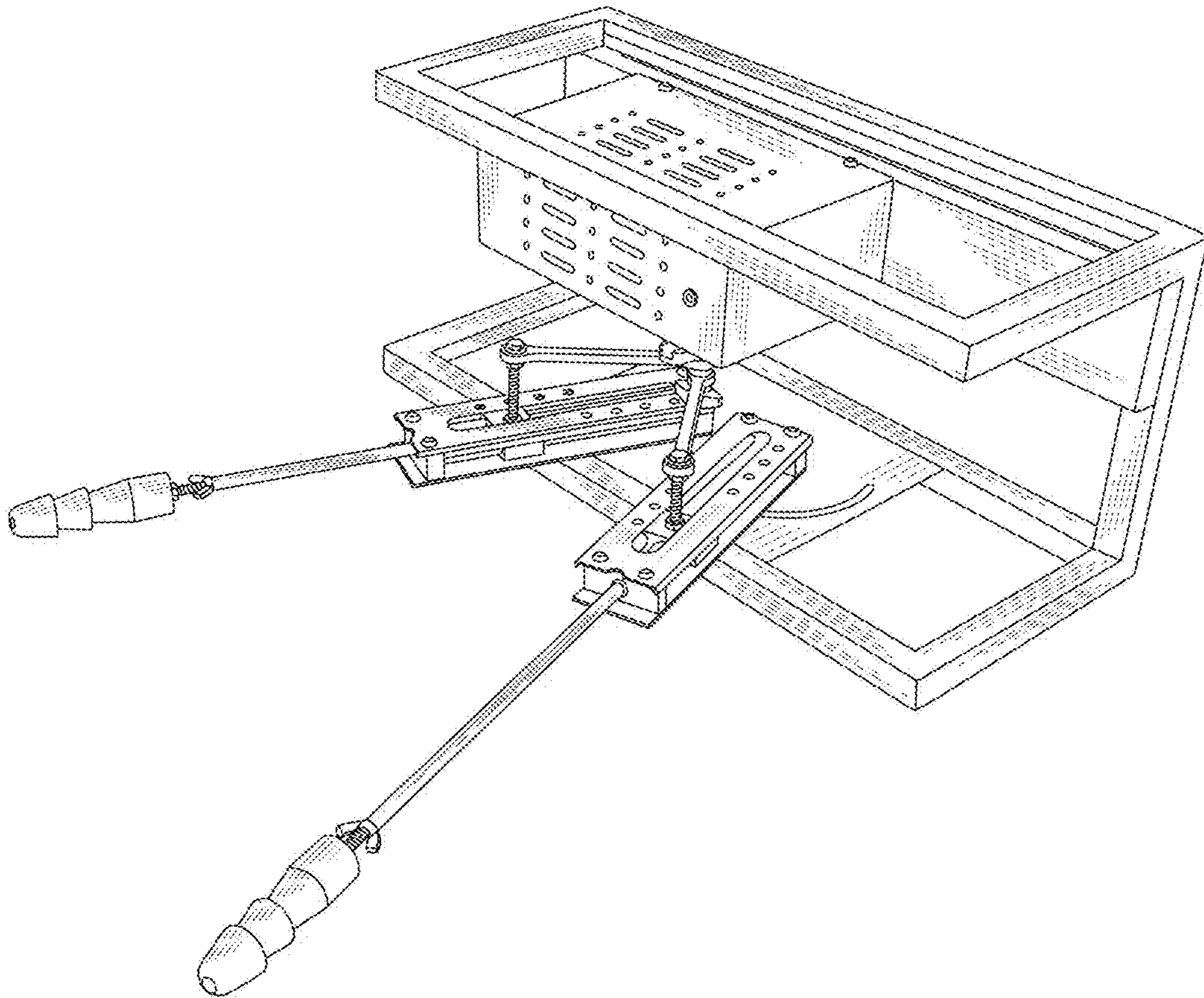


FIG.2

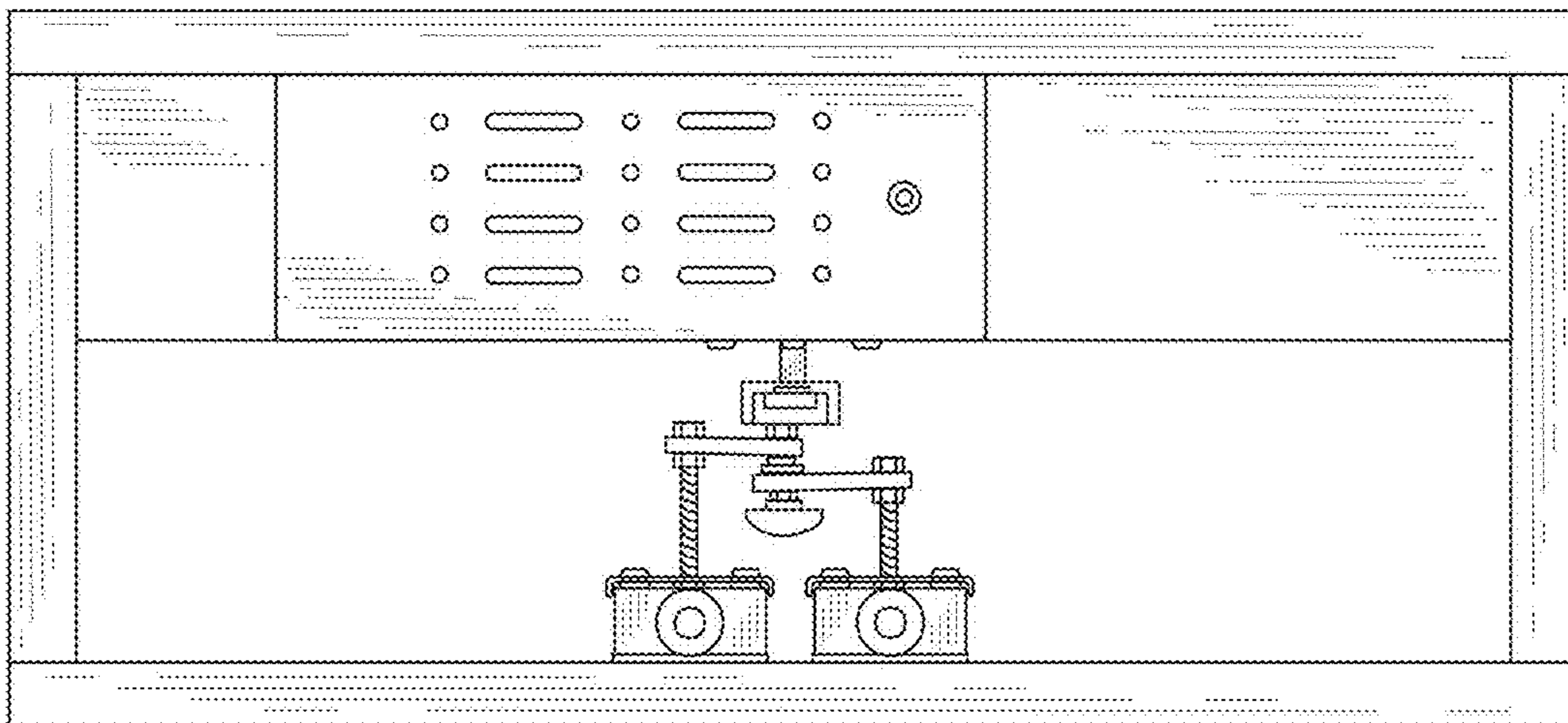


FIG.3

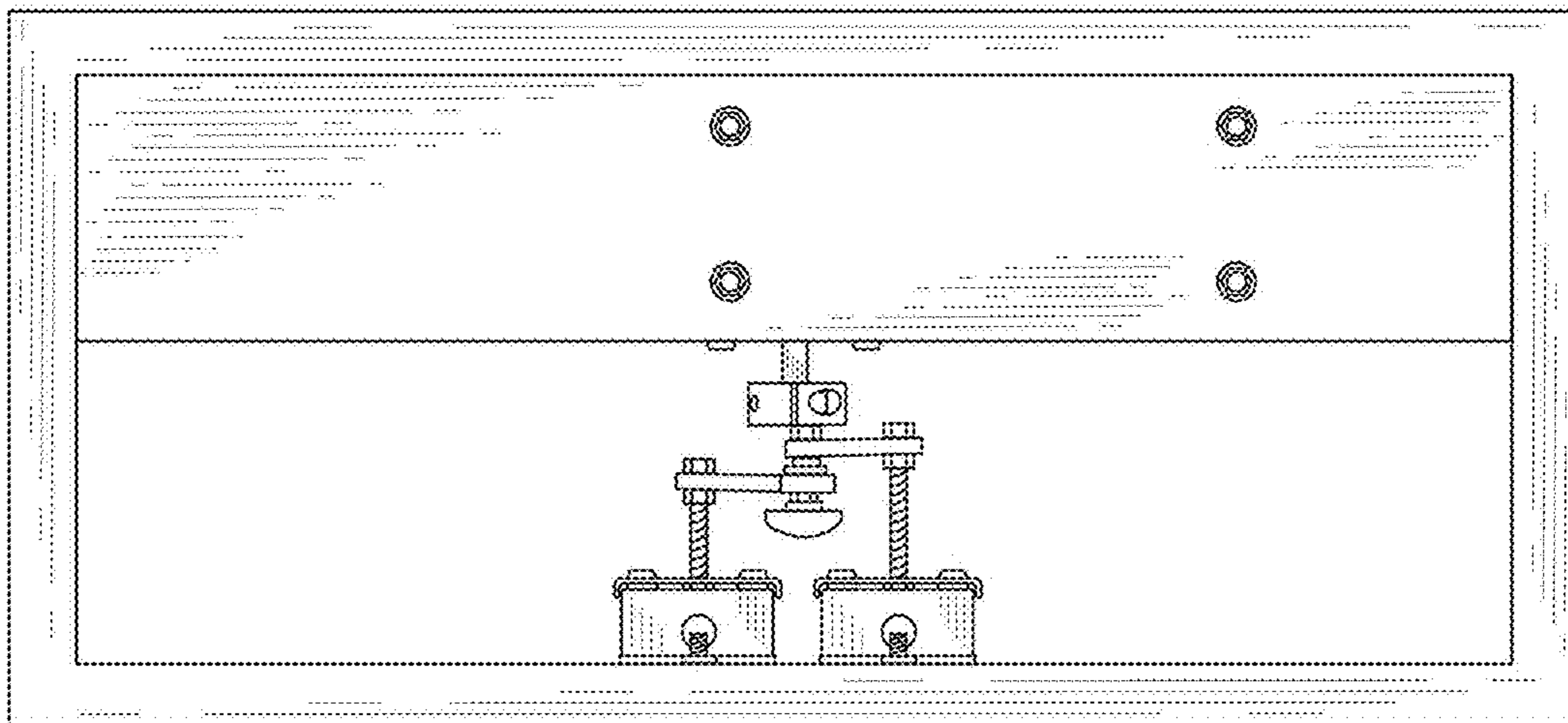


FIG.4

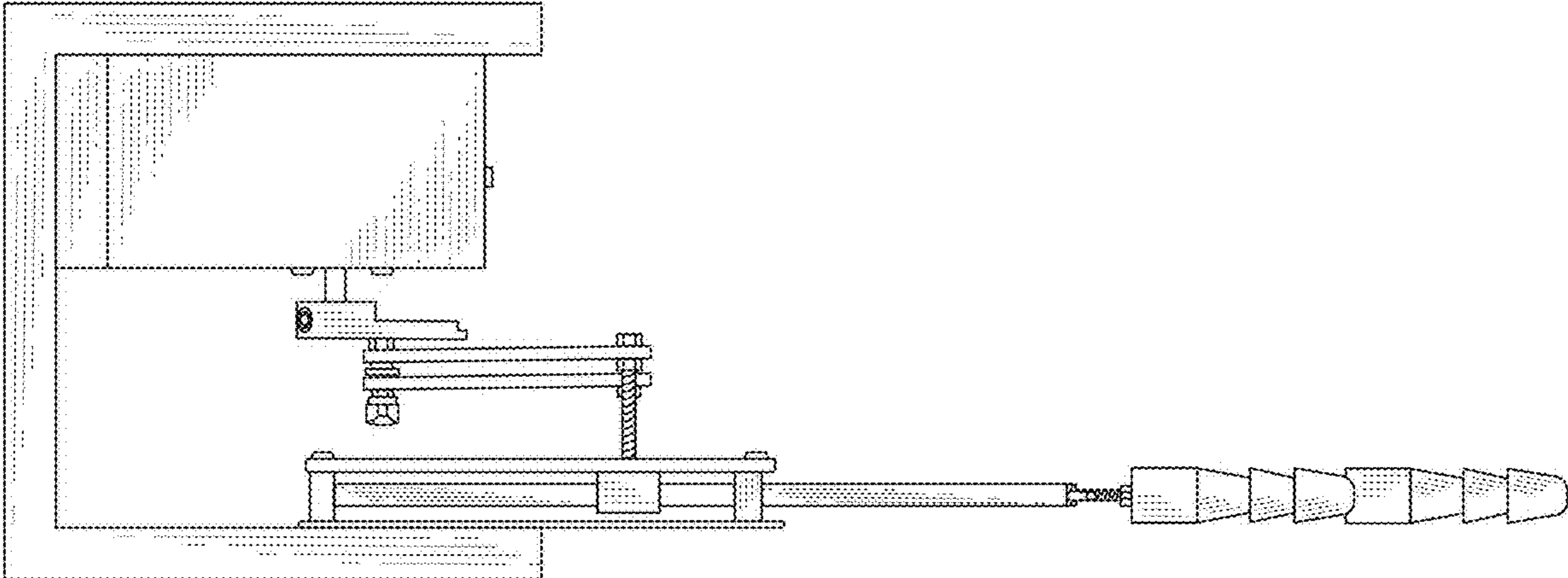


FIG. 5

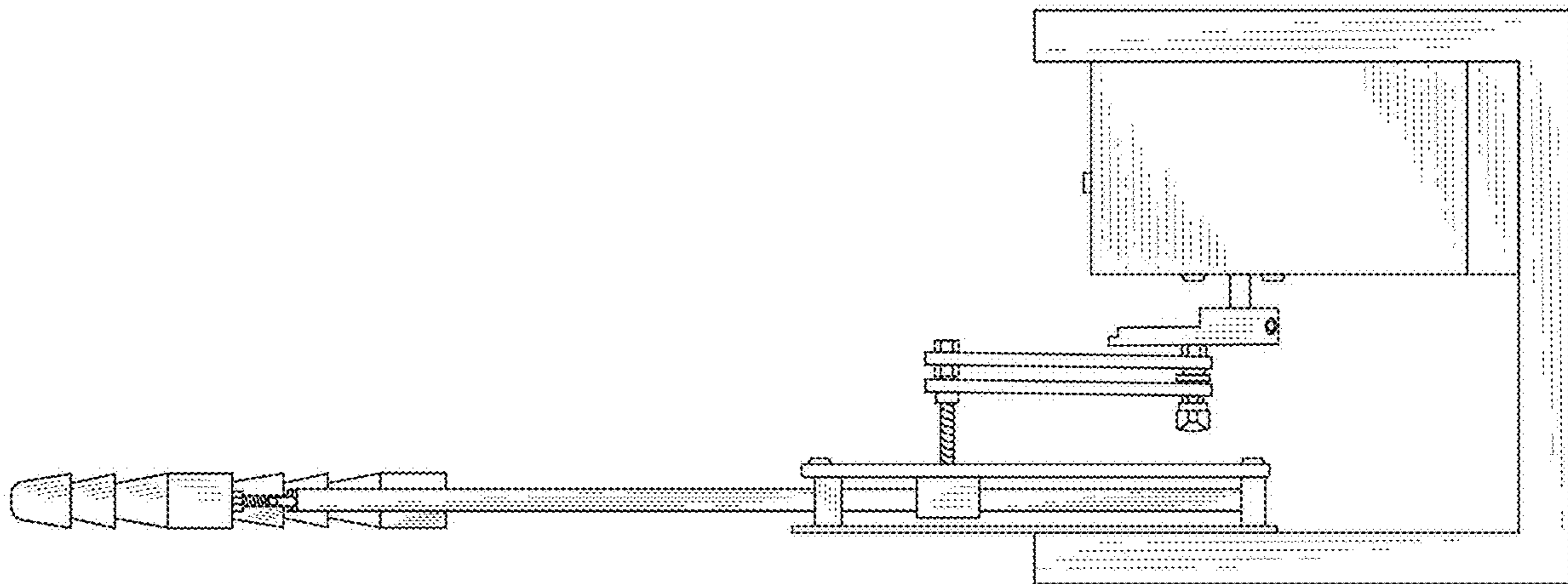


FIG. 6

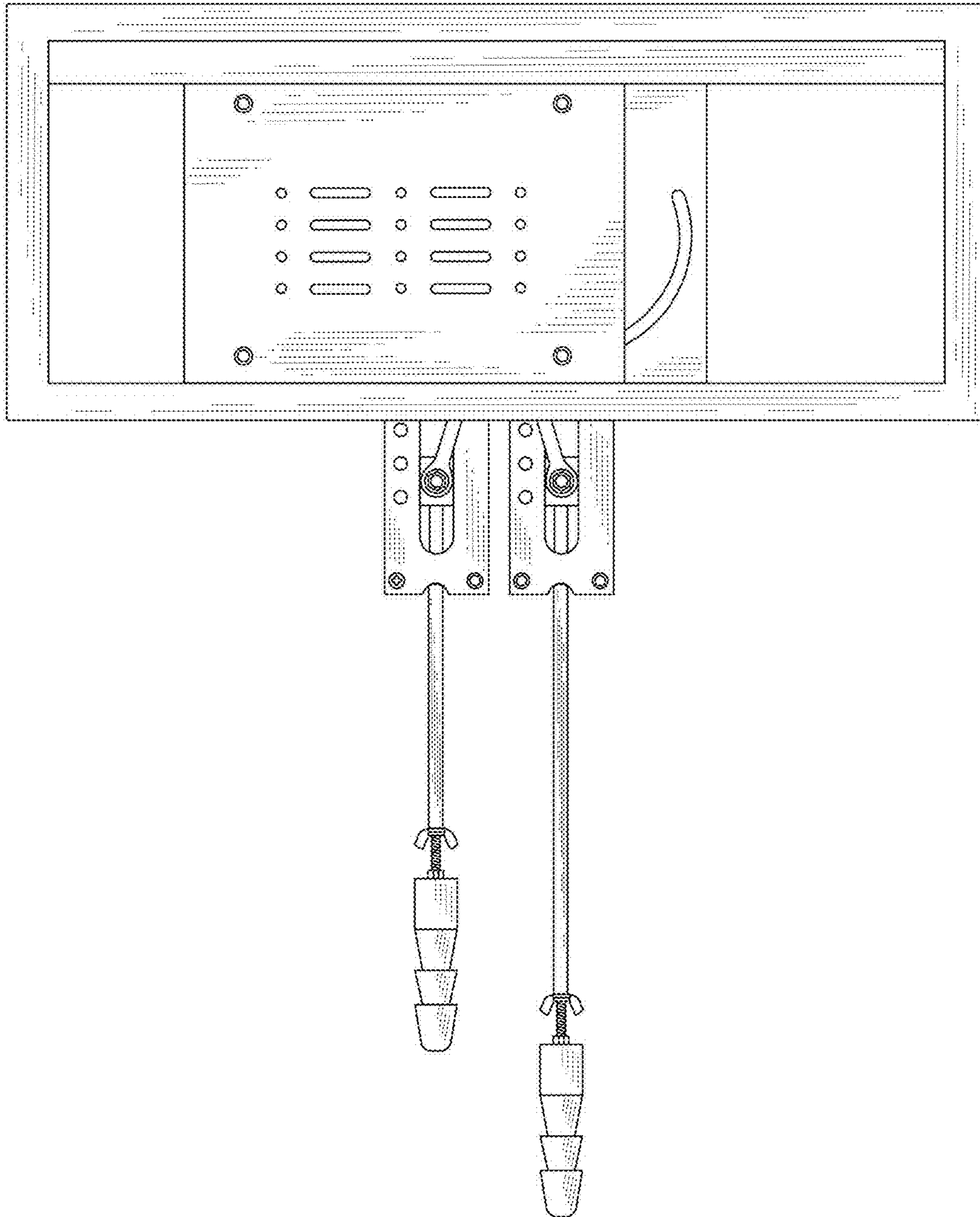


FIG. 7

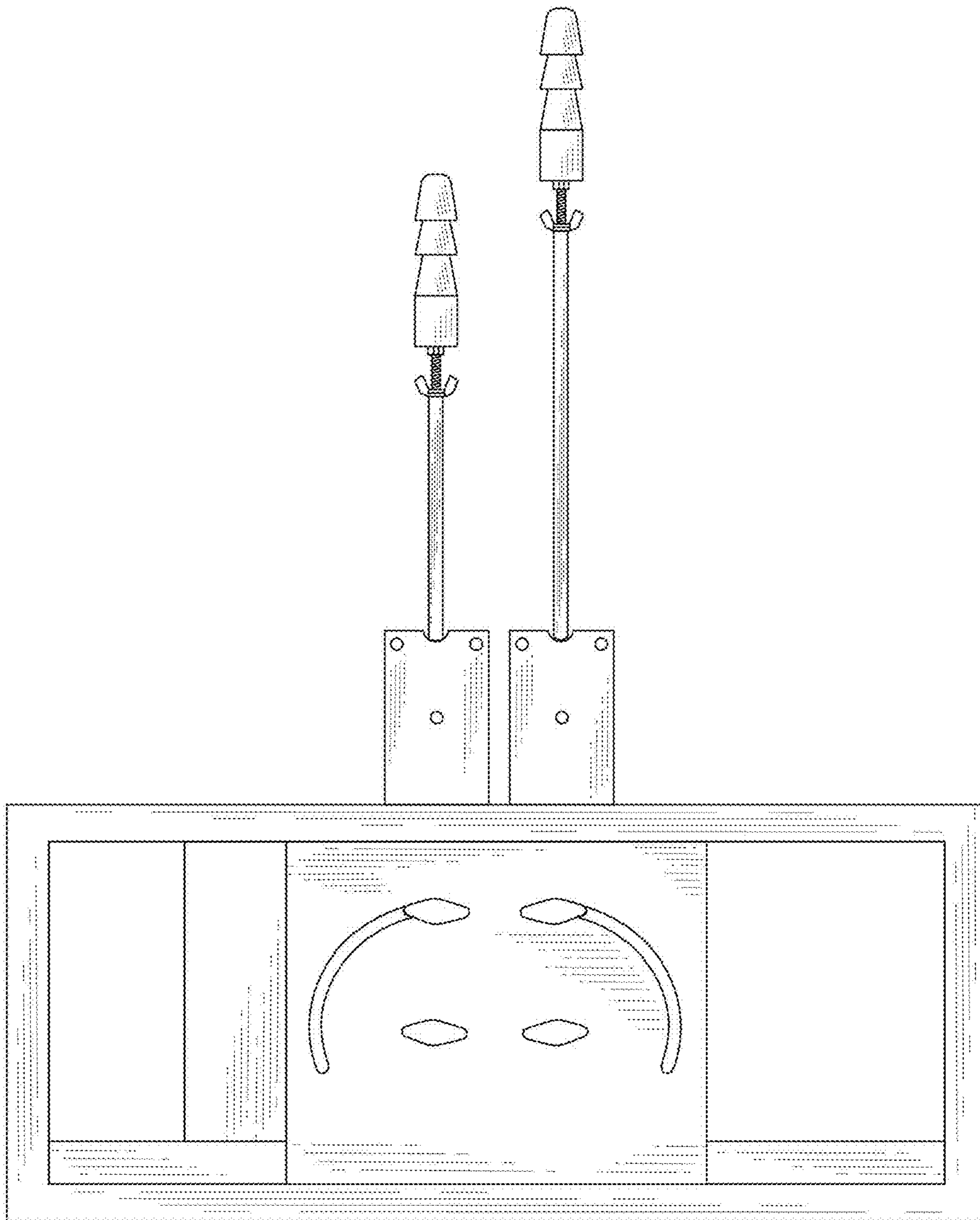


FIG. 8