



US00D908229S

(12) **United States Design Patent**
Wagner et al.

(10) **Patent No.:** **US D908,229 S**
(45) **Date of Patent:** **** Jan. 19, 2021**

(54) **HEAD HOLDER PAD**

FOREIGN PATENT DOCUMENTS

(71) Applicant: **General Electric Company**,
Schenectady, NY (US)

CN 201719259 U 1/2011
JP H07265296 A 10/1995

(72) Inventors: **Grant Richard Wagner**, Milwaukee,
WI (US); **Brian Edward Nett**,
Brookfield, WI (US)

OTHER PUBLICATIONS

Canon Aquilion CT Accessories—Aquilion One Pediatric Head
Holder Pad. Online, published date unknown. Retrieved on Apr. 6,
2020 from URL: <https://www.universalmedicalinc.com/canon-aquilion-ct-accessories-infant-head-pad.html>.*

(73) Assignee: **GENERAL ELECTRIC COMPANY**,
Schenectady, NY (US)

(Continued)

(**) Term: **15 Years**

Primary Examiner — Susan Bennett Hattan

Assistant Examiner — Omeed Agilee

(21) Appl. No.: **29/670,467**

(74) *Attorney, Agent, or Firm* — McCoy Russell LLP

(22) Filed: **Nov. 15, 2018**

(57) **CLAIM**

(51) **LOC (13) Cl.** **24-02**

The ornamental design for a head holder pad, as shown and
described.

(52) **U.S. Cl.**

USPC **D24/191**; D24/184

DESCRIPTION

(58) **Field of Classification Search**

USPC D24/183–184, 188, 190–191, 200, 211,
D24/215; D6/366, 375, 380, 596, 601,
D6/604, 716

CPC A47B 21/0314; A47B 21/0371; A47C
20/021; A47C 20/026

See application file for complete search history.

FIG. 1 is a front-bottom-left perspective view of a head
holder pad according to the present invention.

FIG. 2 is a front-top-right perspective view of the head
holder pad of FIG. 1.

FIG. 3 is a bottom view of the head holder pad of FIG. 1.

FIG. 4 is a top view of the head holder pad of FIG. 1.

FIG. 5 is a right side view of the head holder pad of FIG. 1.

FIG. 6 is a left side view of the head holder pad of FIG. 1.

FIG. 7 is a front view of the head holder pad of FIG. 1.

FIG. 8 is a rear view of the head holder pad of FIG. 1.

FIG. 9 is a cross-sectional view taken along line 9-9 in FIG.
5.

FIG. 10 is a cross-sectional view taken along line 10-10 in
FIG. 6; and,

FIG. 11 is a cross-sectional view taken along line 11-11 in
FIG. 3.

The left side of the head holder pad is a mirror image of the
right side of the head holder pad.

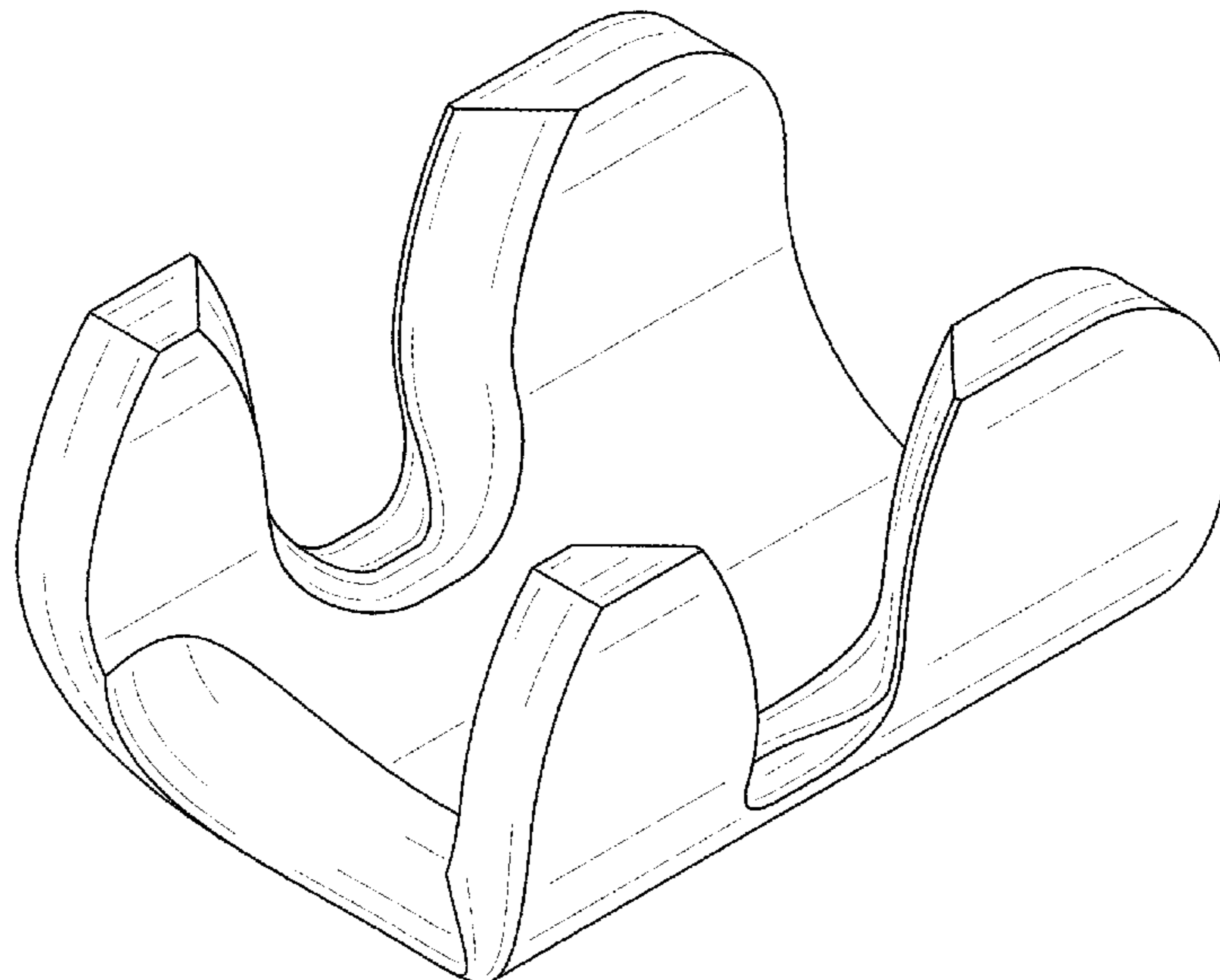
(56) **References Cited**

U.S. PATENT DOCUMENTS

4,616,814	A	10/1986	Harwood-Nash et al.	
D309,189	S *	7/1990	Bowlin	D24/183
5,337,760	A	8/1994	Nichols	
D375,222	S *	11/1996	Bonaddio	D6/596
D642,278	S *	7/2011	Sharps	D24/184
D711,000	S *	8/2014	Ravikumar	D24/184
8,887,331	B2	11/2014	Nakamura et al.	
D719,662	S *	12/2014	Pope	D24/191
D797,299	S *	9/2017	Ruel	D24/190

(Continued)

1 Claim, 11 Drawing Sheets



(56)

References Cited

U.S. PATENT DOCUMENTS

D797,945 S	*	9/2017	Kim	D24/184
D823,479 S	*	7/2018	Mollohan	D24/215
D837,386 S	*	1/2019	Barber	D24/184
D858,782 S	*	9/2019	Kellock	D24/191
D862,713 S	*	10/2019	Wendling	D24/191
D871,108 S	*	12/2019	Yang	D6/601
D877,916 S	*	3/2020	Gewant	D24/184
D879,989 S	*	3/2020	Mollohan	D24/215

OTHER PUBLICATIONS

B/D CT Axial Headholder Insert. Online,published date unknown.
Retrieved on Apr. 6, 2020 from URL: <https://www.medipment.pl/produkt/bd-ct-axial-headholder-insert-63342>.*

* cited by examiner

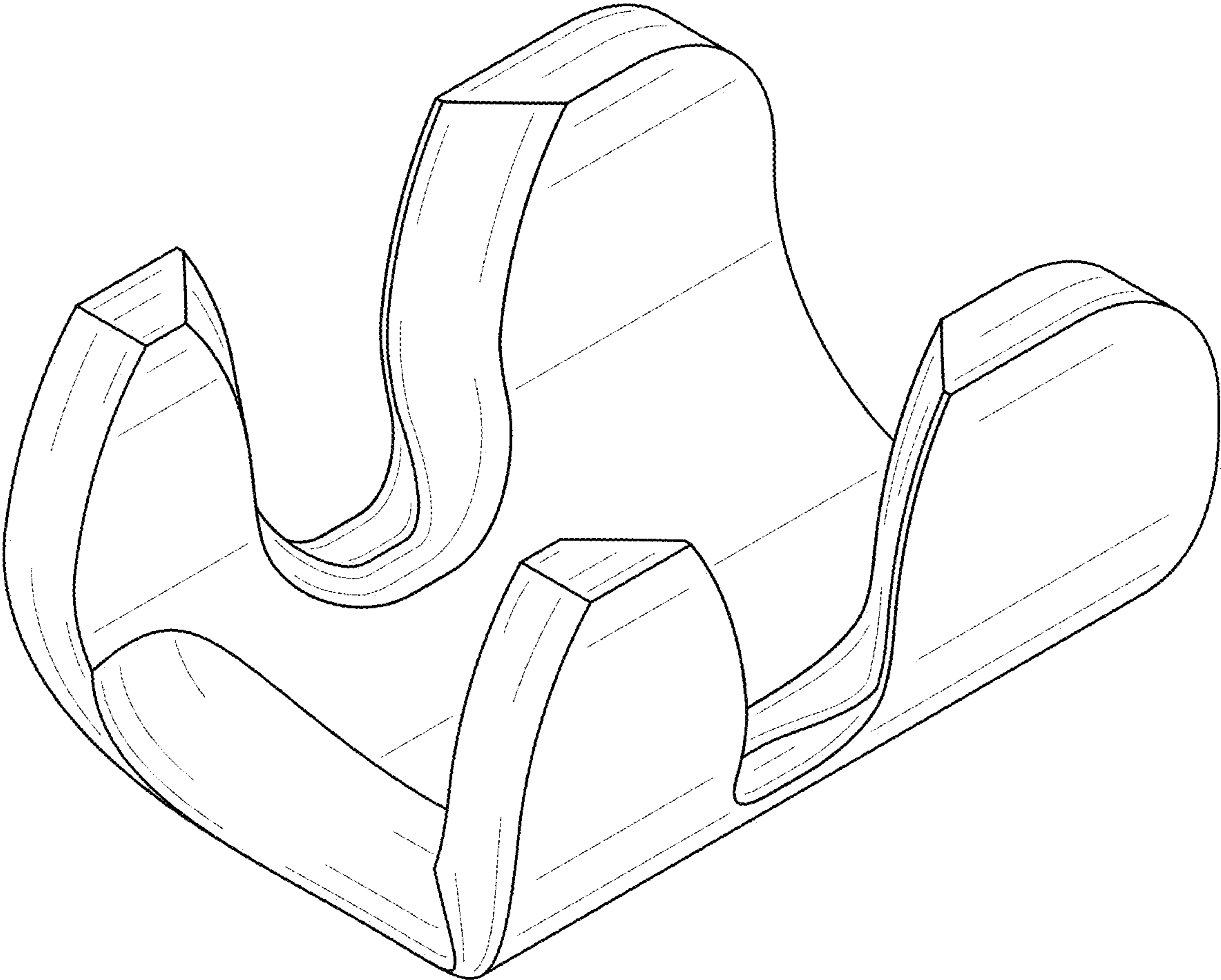


FIG. 1

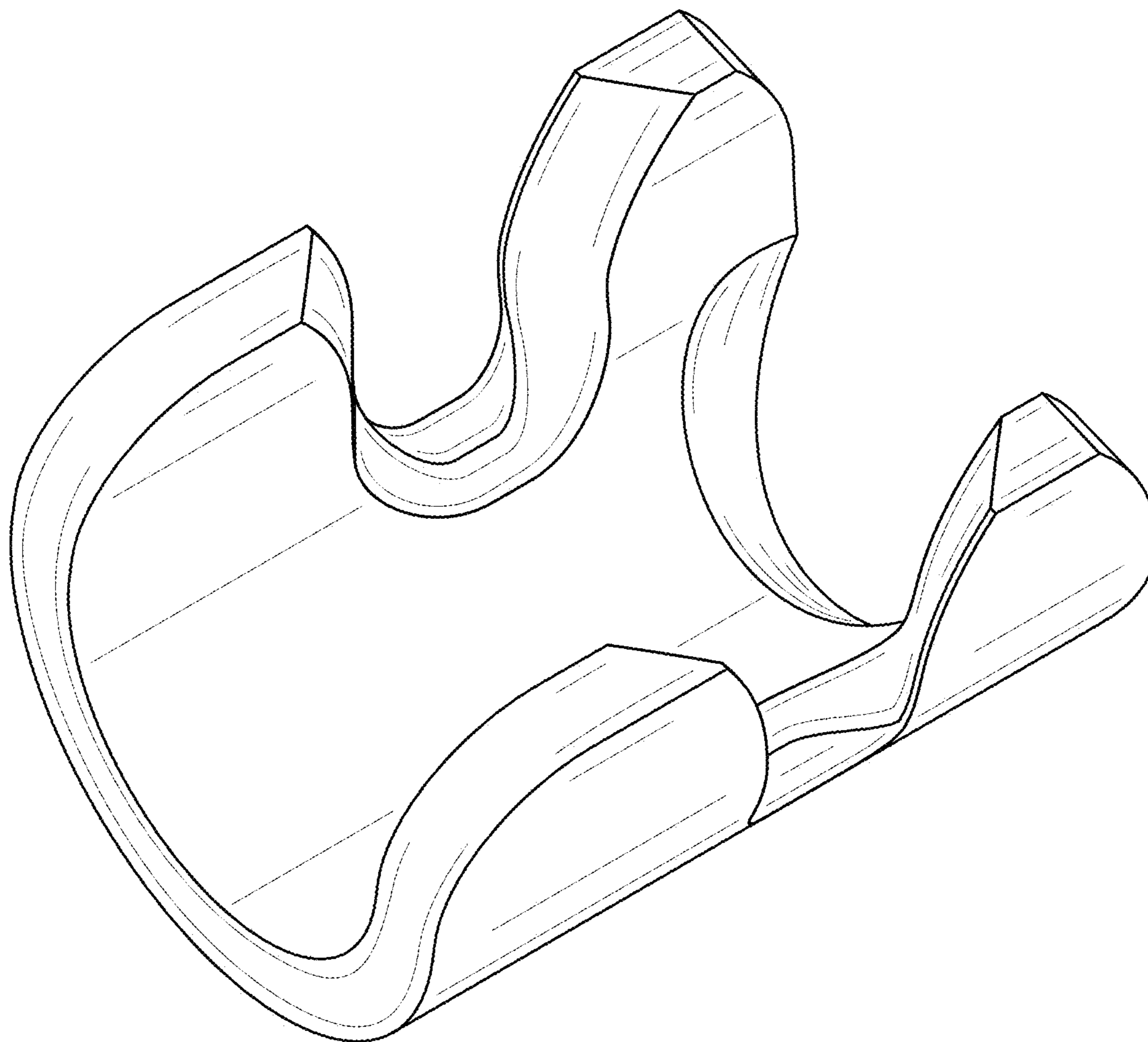


FIG. 2

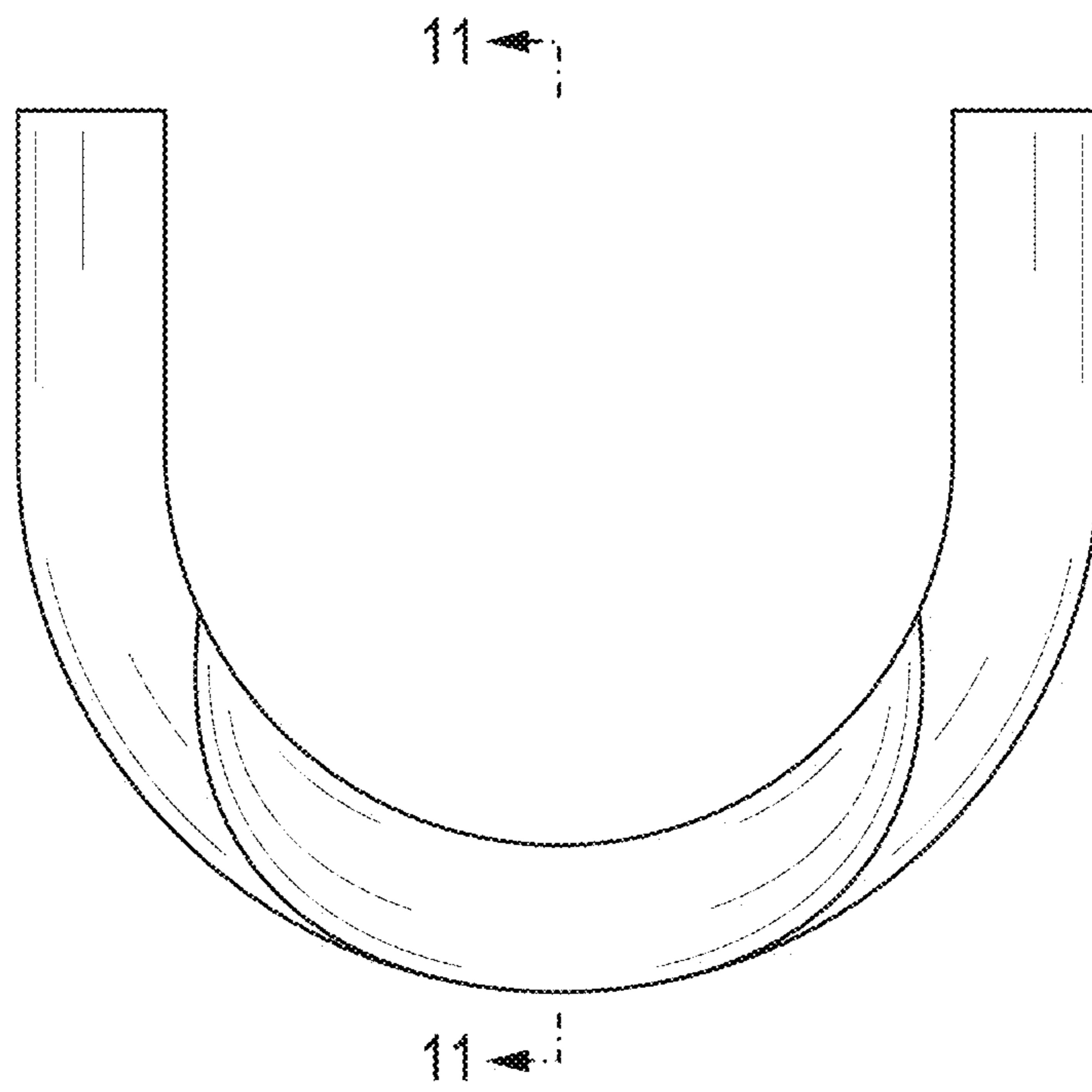


FIG. 3

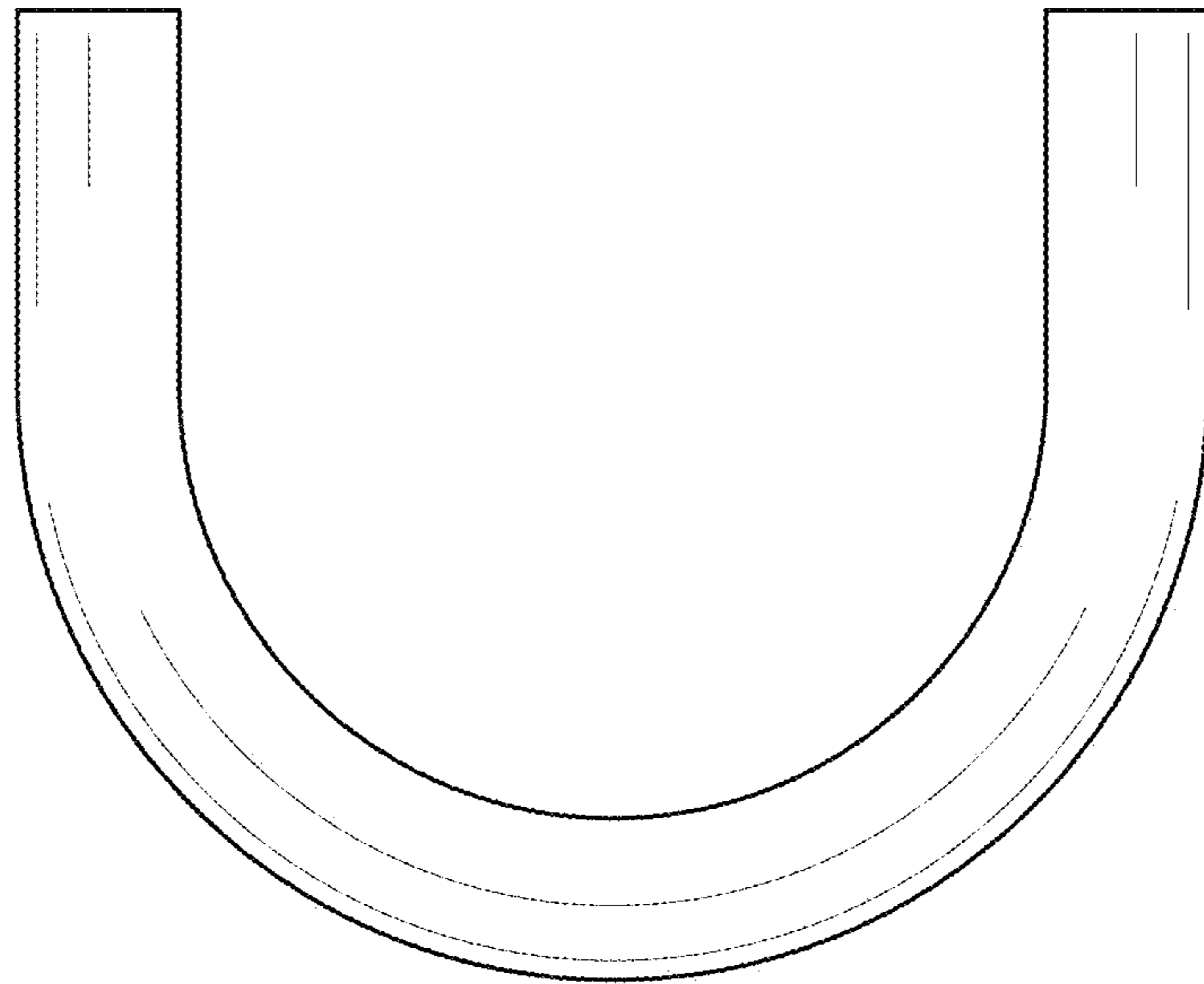


FIG. 4

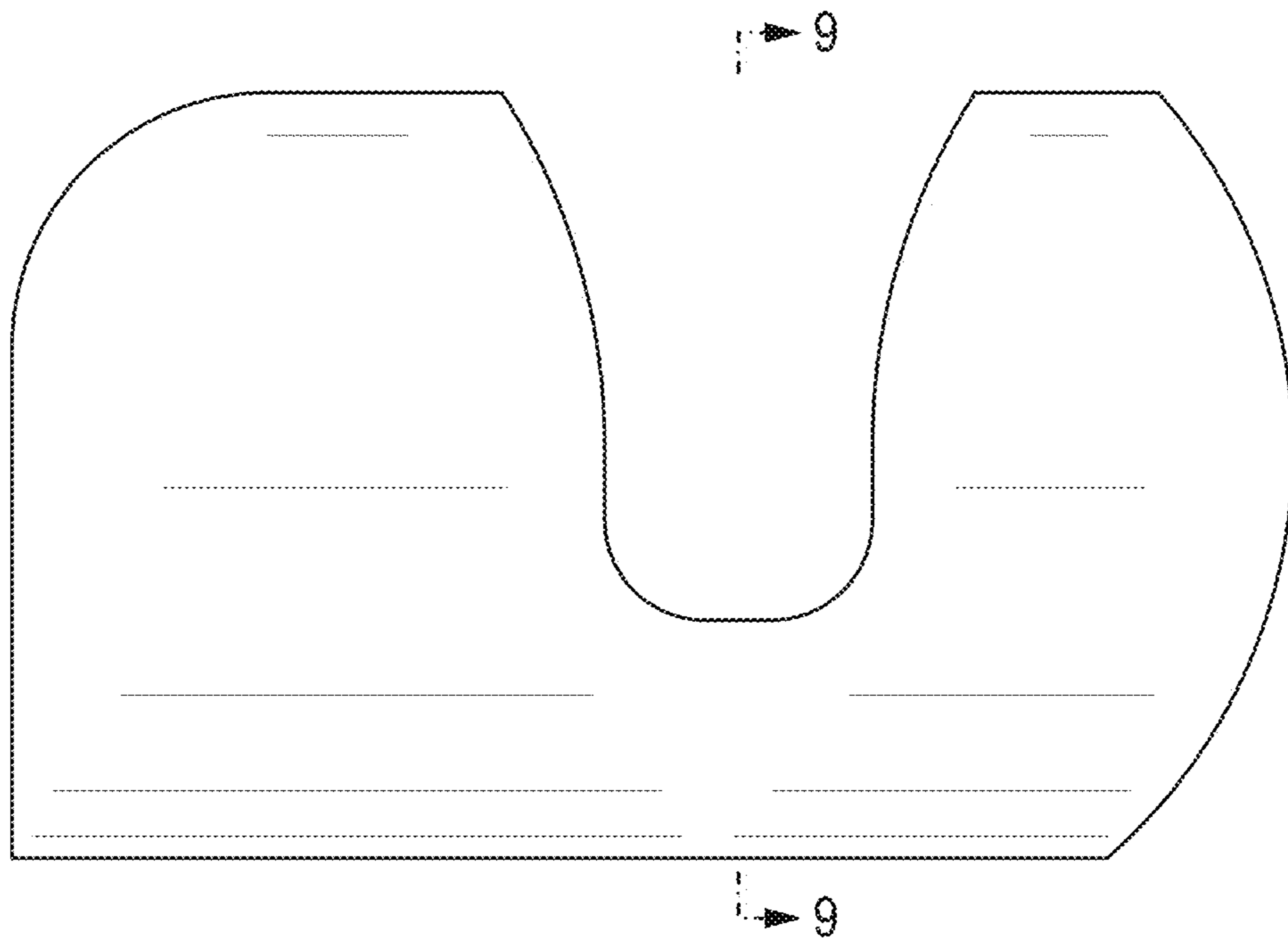


FIG. 5

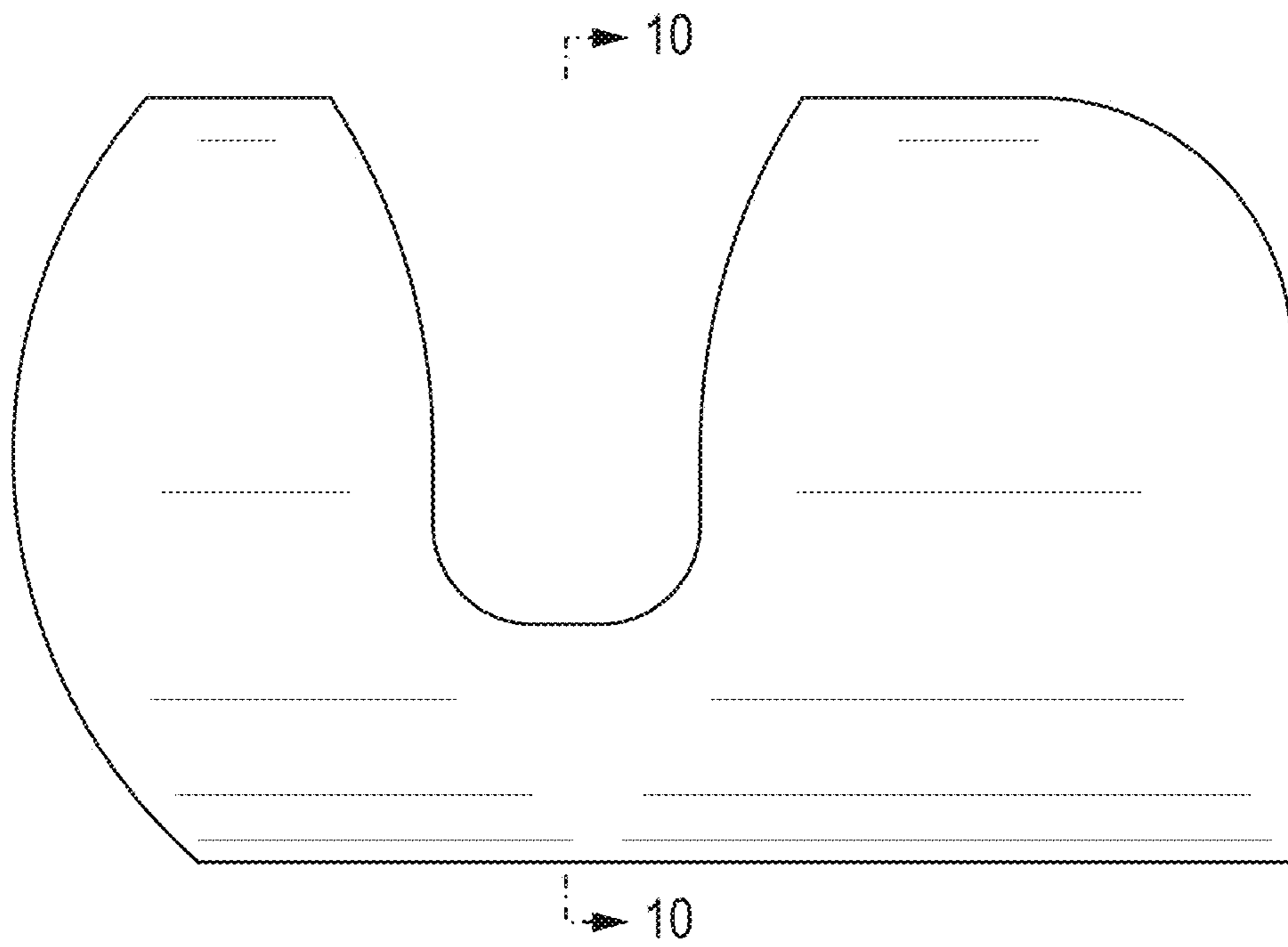


FIG. 6

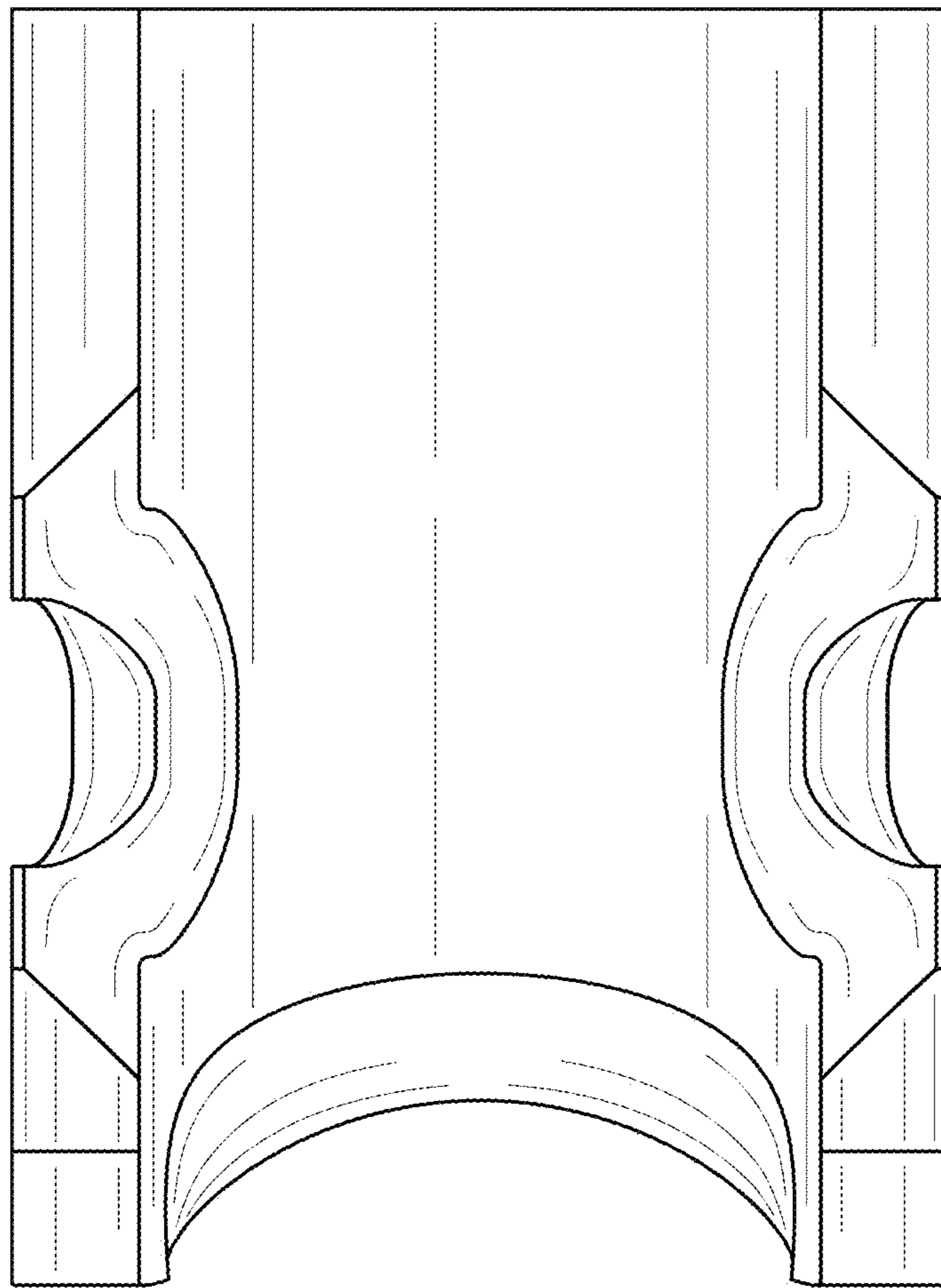


FIG. 7

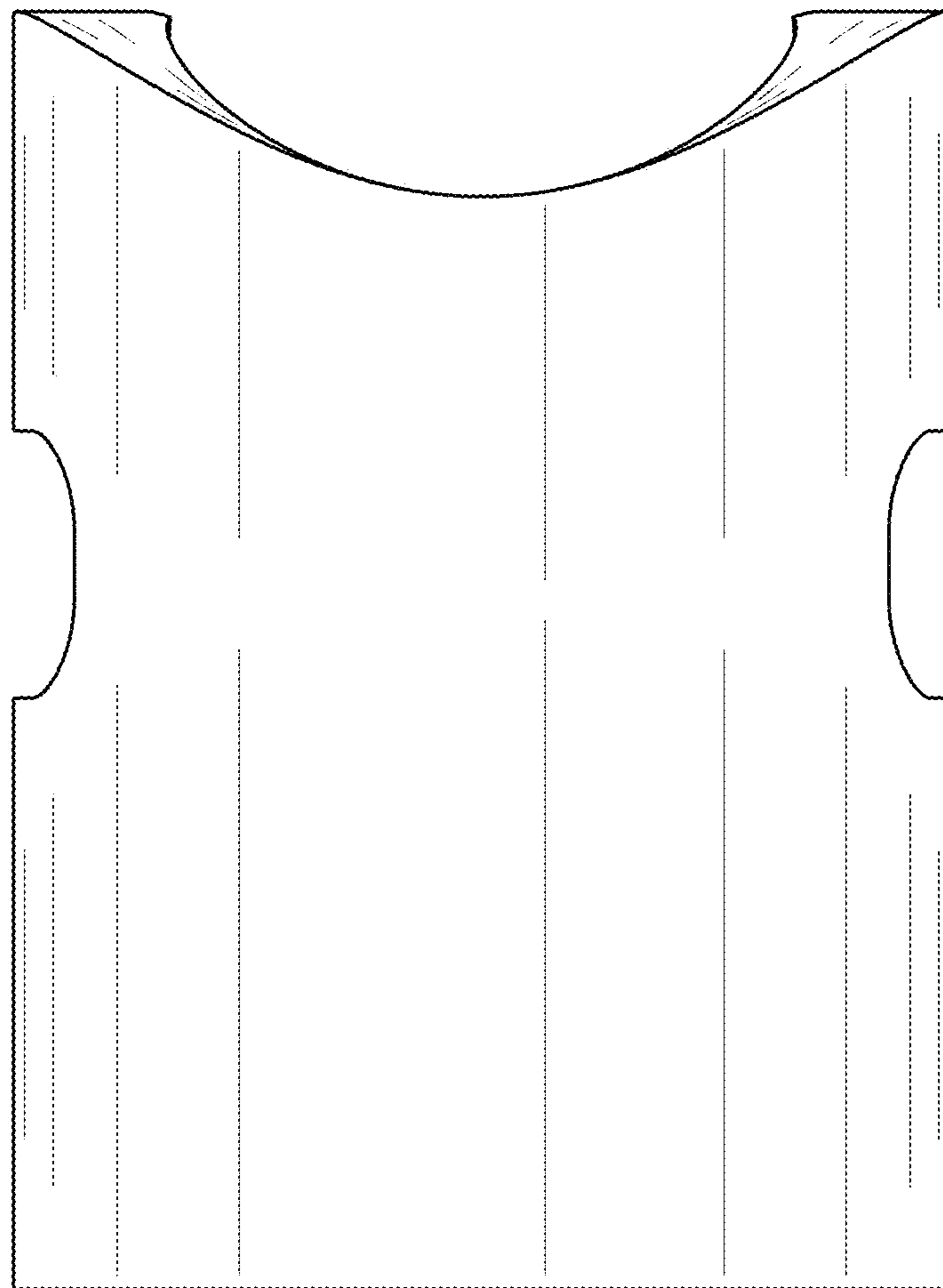


FIG. 8

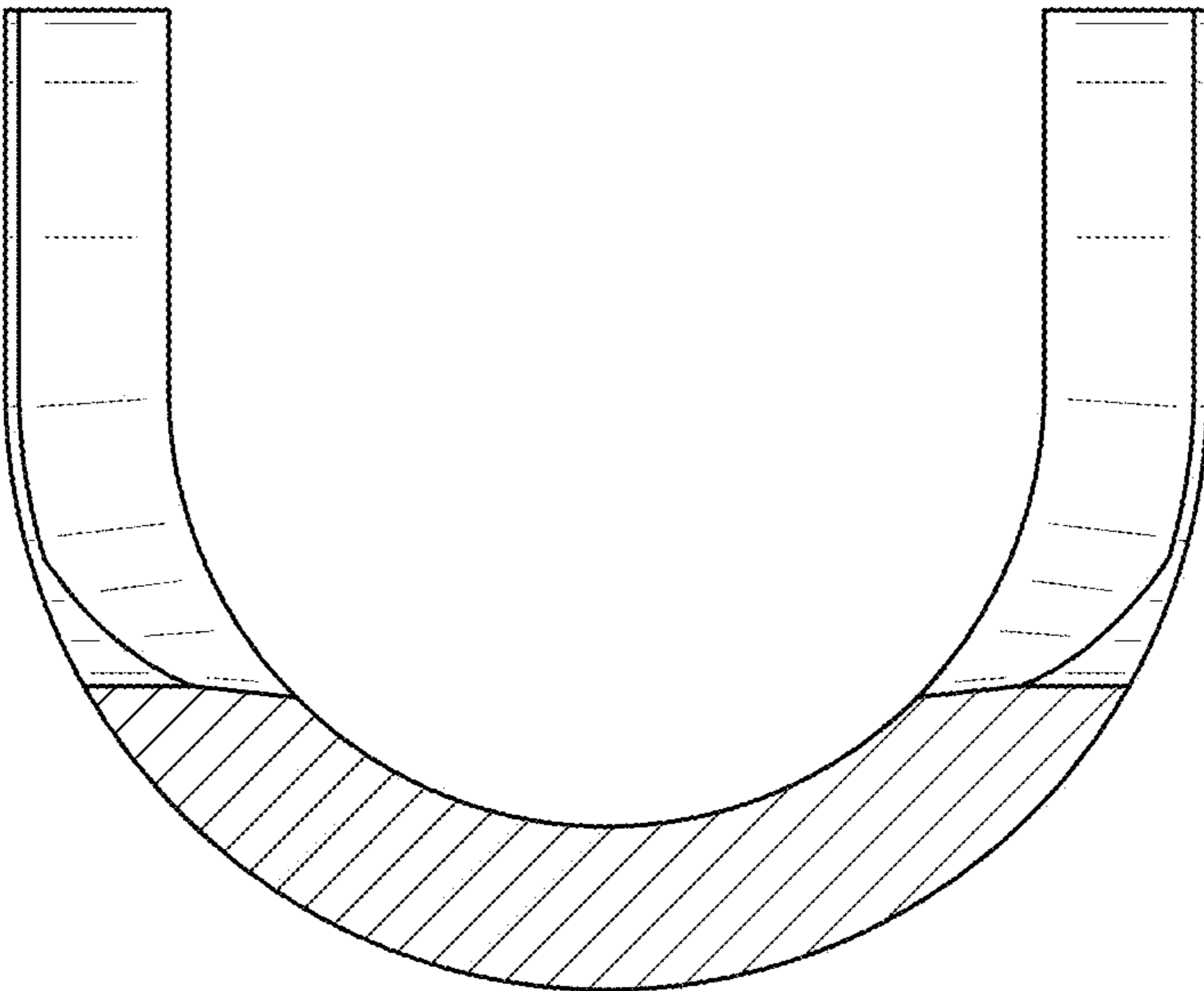


FIG. 9

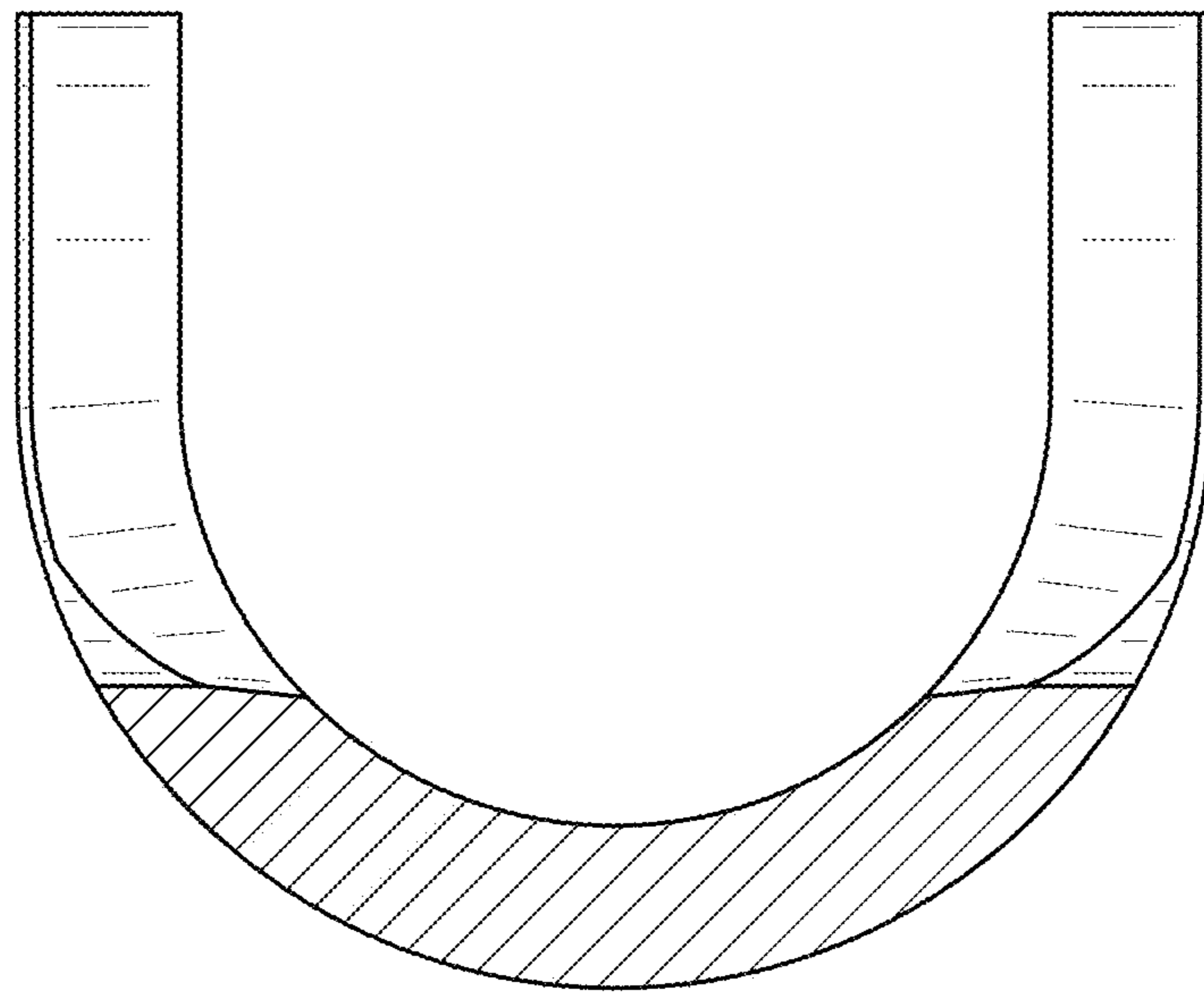


FIG. 10

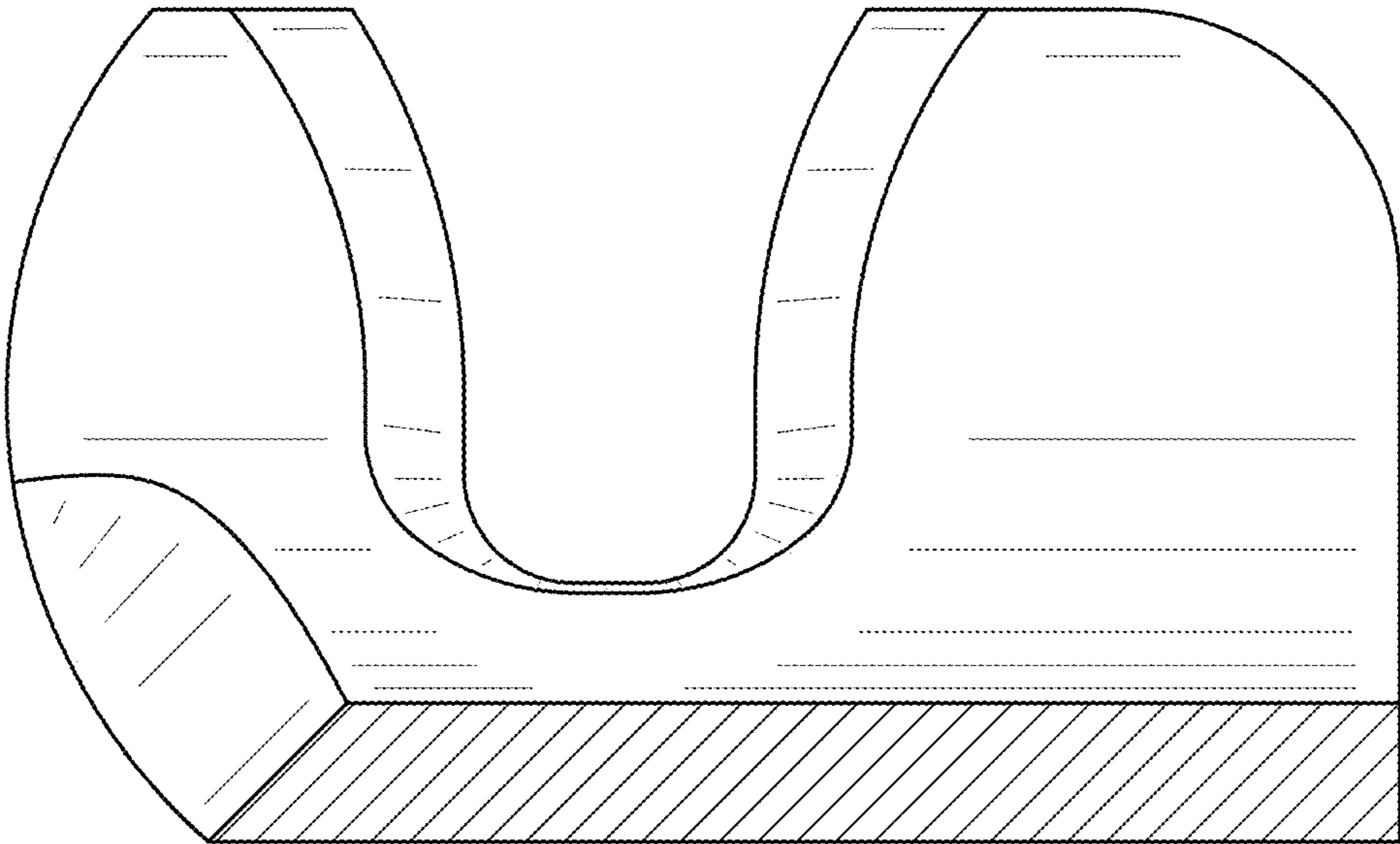


FIG. 11