

US00D908225S

(12) **United States Design Patent**  
**Vidakovic et al.**

(10) **Patent No.:** **US D908,225 S**

(45) **Date of Patent:** **\*\* Jan. 19, 2021**

(54) **SHROUD FOR A CART**

*Primary Examiner* — Rhea Shields

(74) *Attorney, Agent, or Firm* — RatnerPrestia

(71) Applicant: **TOUCHPOINT MEDICAL, INC.**,  
Concordville, PA (US)

(72) Inventors: **Voya Vidakovic**, Concordville, PA  
(US); **John Eschler**, Concordville, PA  
(US)

(57) **CLAIM**

The ornamental design for a shroud for a cart, as shown and described.

(73) Assignee: **Touchpoint Medical, Inc.**,  
Concordville, PA (US)

**DESCRIPTION**

(\*\*) Term: **15 Years**

FIG. 1 is a front perspective view of a shroud for a cart;  
FIG. 2 is a front elevation view thereof;  
FIG. 3 is a rear elevation view thereof;  
FIG. 4 is an elevation view thereof taken from the left side thereof;  
FIG. 5 is an elevation view thereof taken from the right side thereof;  
FIG. 6 is a top plan view thereof; and  
FIG. 7 is a bottom plan view thereof.  
FIG. 8 is a front perspective view of the cart including the shroud of FIG. 1;  
FIG. 9 is a front elevation view thereof;  
FIG. 10 is a rear elevation view thereof;  
FIG. 11 is an elevation view thereof taken from the left side thereof;  
FIG. 12 is an elevation view thereof taken from the right side thereof;  
FIG. 13 is a top plan view thereof; and  
FIG. 14 is a bottom plan view thereof; and,  
FIG. 15 is a front perspective view thereof; showing a symbolic break in the height, width and length of the shroud for a cart.  
The broken line showing of the shroud for a cart is for the purpose of illustrating portions of the shroud for a cart and forms no part of the claimed design.  
The shroud for a cart is shown with a symbolic break in its height, length and width. The appearance of any portion of the article between the break lines forms no part of the claimed design.

(21) Appl. No.: **29/638,636**

(22) Filed: **Feb. 28, 2018**

(51) **LOC (13) Cl.** ..... **24-02**

(52) **U.S. Cl.**  
USPC ..... **D24/185**

(58) **Field of Classification Search**  
USPC ..... D24/185, 253, 128, 177, 159, 232;  
D15/7; D14/253, 239; D6/406  
CPC ..... A61C 19/005; H04M 1/04; B60R 11/0241  
See application file for complete search history.

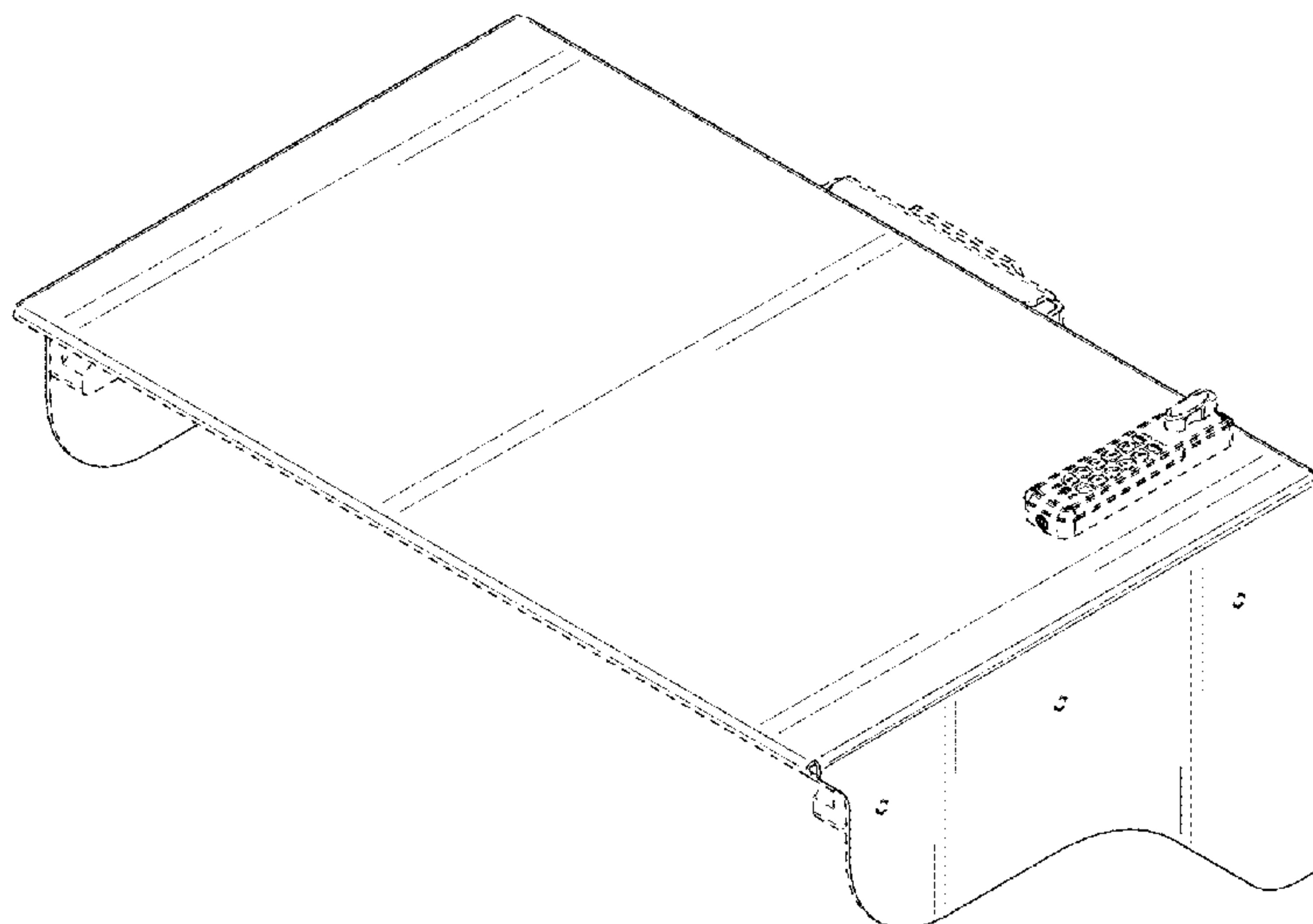
(56) **References Cited**

**U.S. PATENT DOCUMENTS**

4,945,561	A *	7/1990	Rioux, Jr.	.....	H04M 1/04 248/214
D317,157	S *	5/1991	Jondelius	.....	D14/253
5,131,036	A *	7/1992	Dunchock	.....	B60R 11/0241 224/483
5,244,385	A *	9/1993	Yozwiak	.....	A61C 19/005 433/49
D381,338	S *	7/1997	Johansson	.....	D14/253
D607,567	S *	1/2010	Bukoski	.....	D24/177
D622,397	S *	8/2010	Bukoski	.....	D24/177
D739,390	S *	9/2015	Lee	.....	D14/239
D745,171	S *	12/2015	Gomez	.....	D24/184
D771,805	S *	11/2016	Brooker	.....	D24/128
D774,650	S *	12/2016	Williams	.....	D24/185
D774,656	S *	12/2016	Larsen	.....	D15/7

(Continued)

**1 Claim, 15 Drawing Sheets**



(56)

**References Cited**

U.S. PATENT DOCUMENTS

D787,073 S *	5/2017	Livengood .....	D24/185
D799,851 S *	10/2017	Waxman .....	D6/406.6
D824,032 S *	7/2018	Poulsen .....	D24/159
D878,625 S *	3/2020	Sakai .....	D24/232

\* cited by examiner

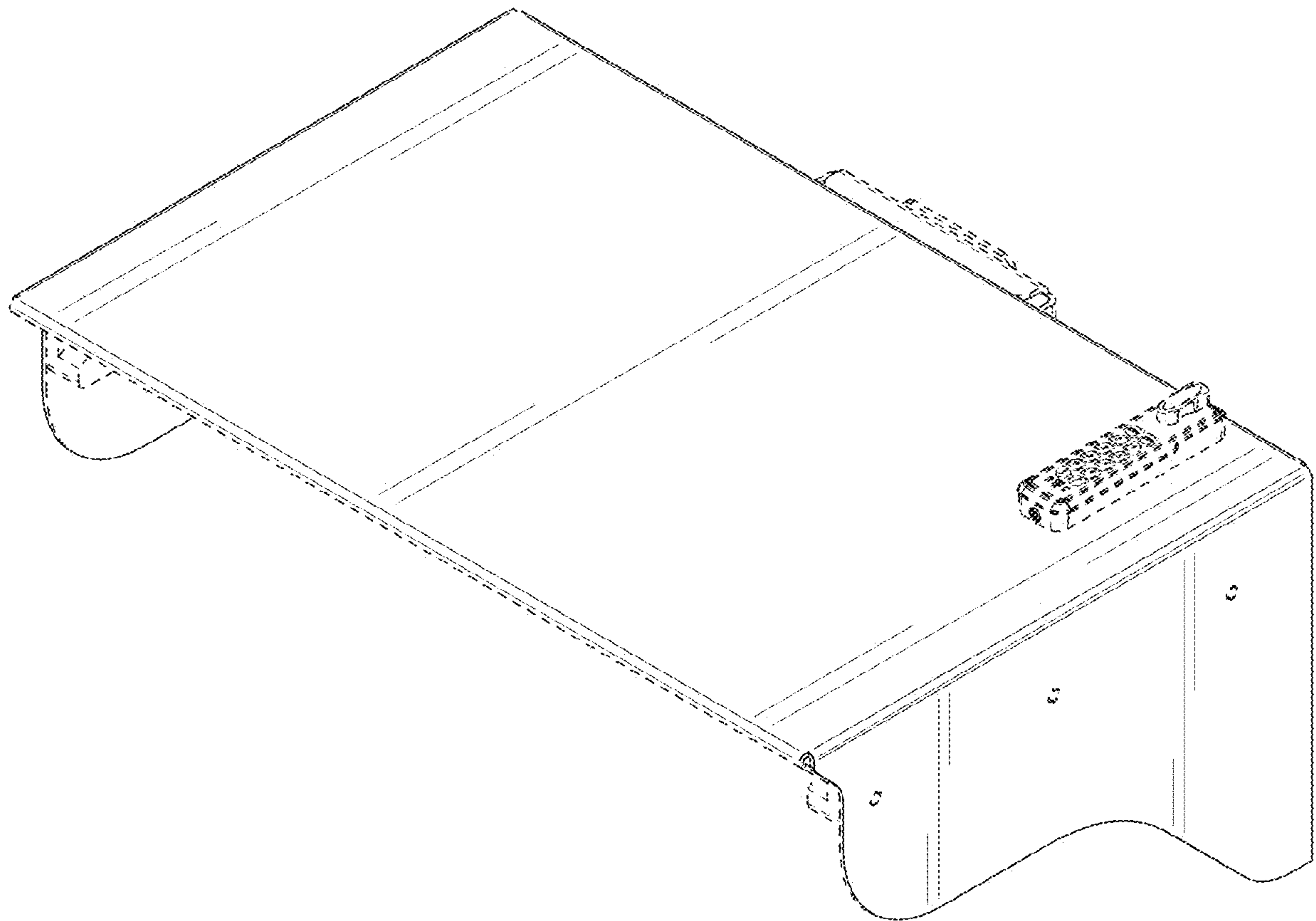


FIG. 1

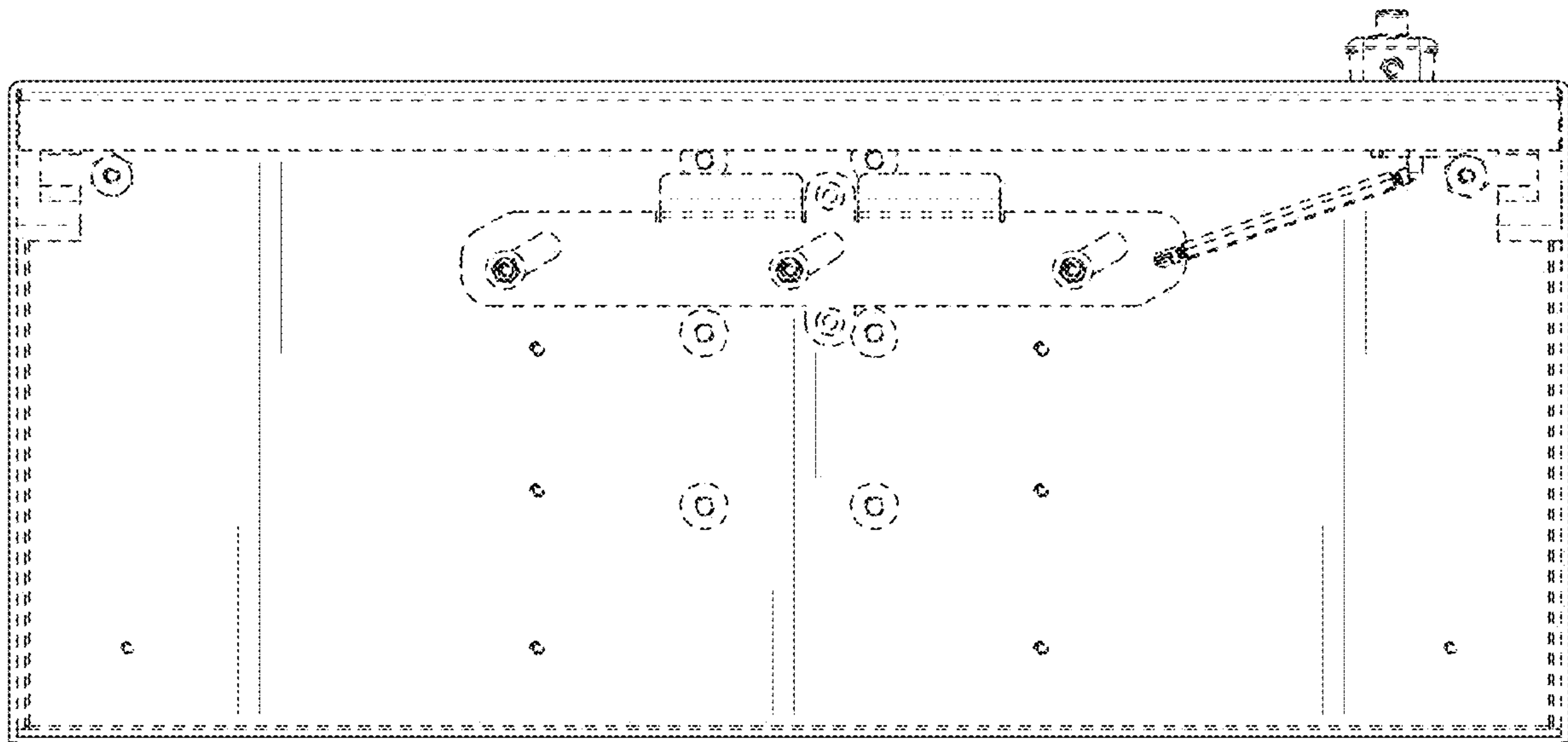


FIG. 2

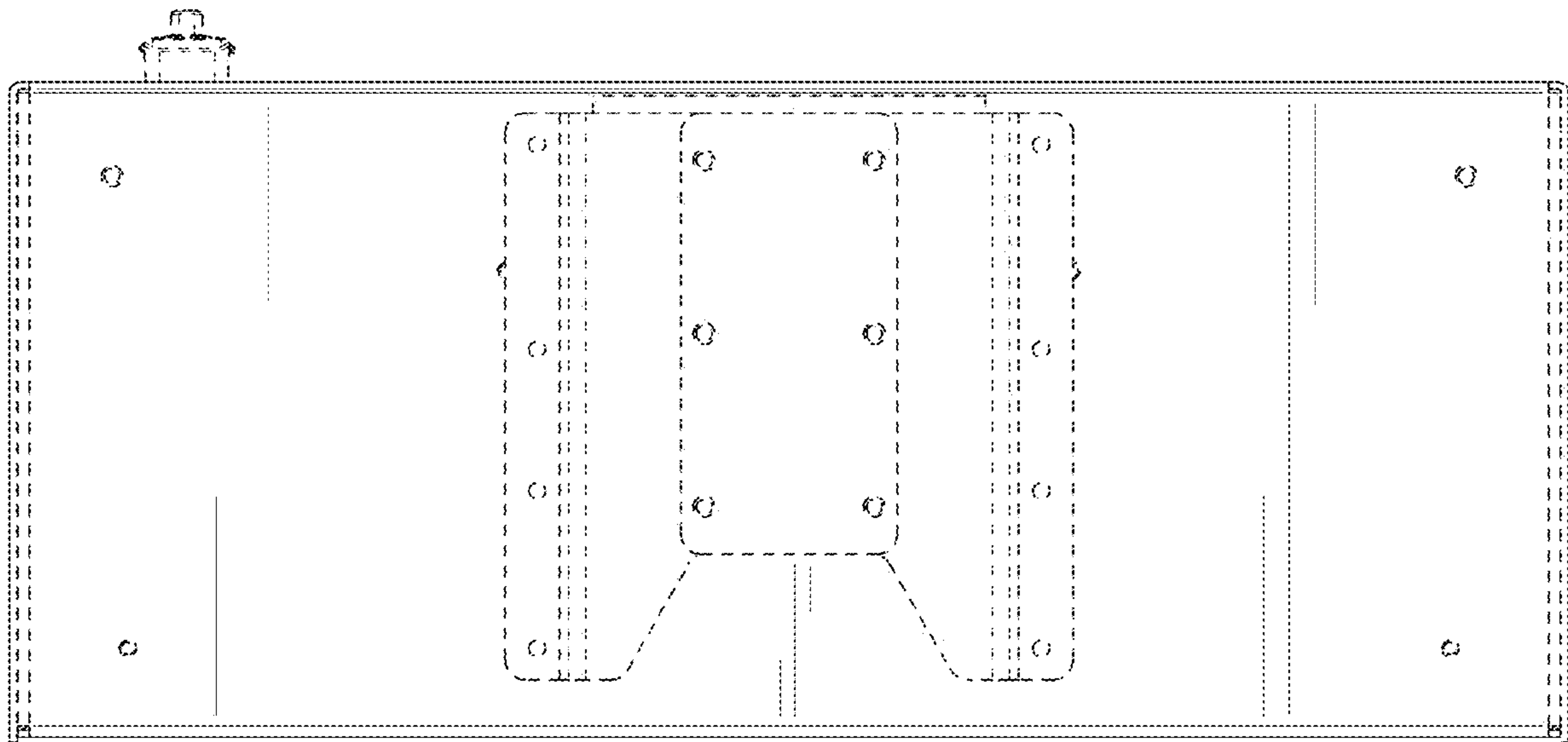


FIG. 3

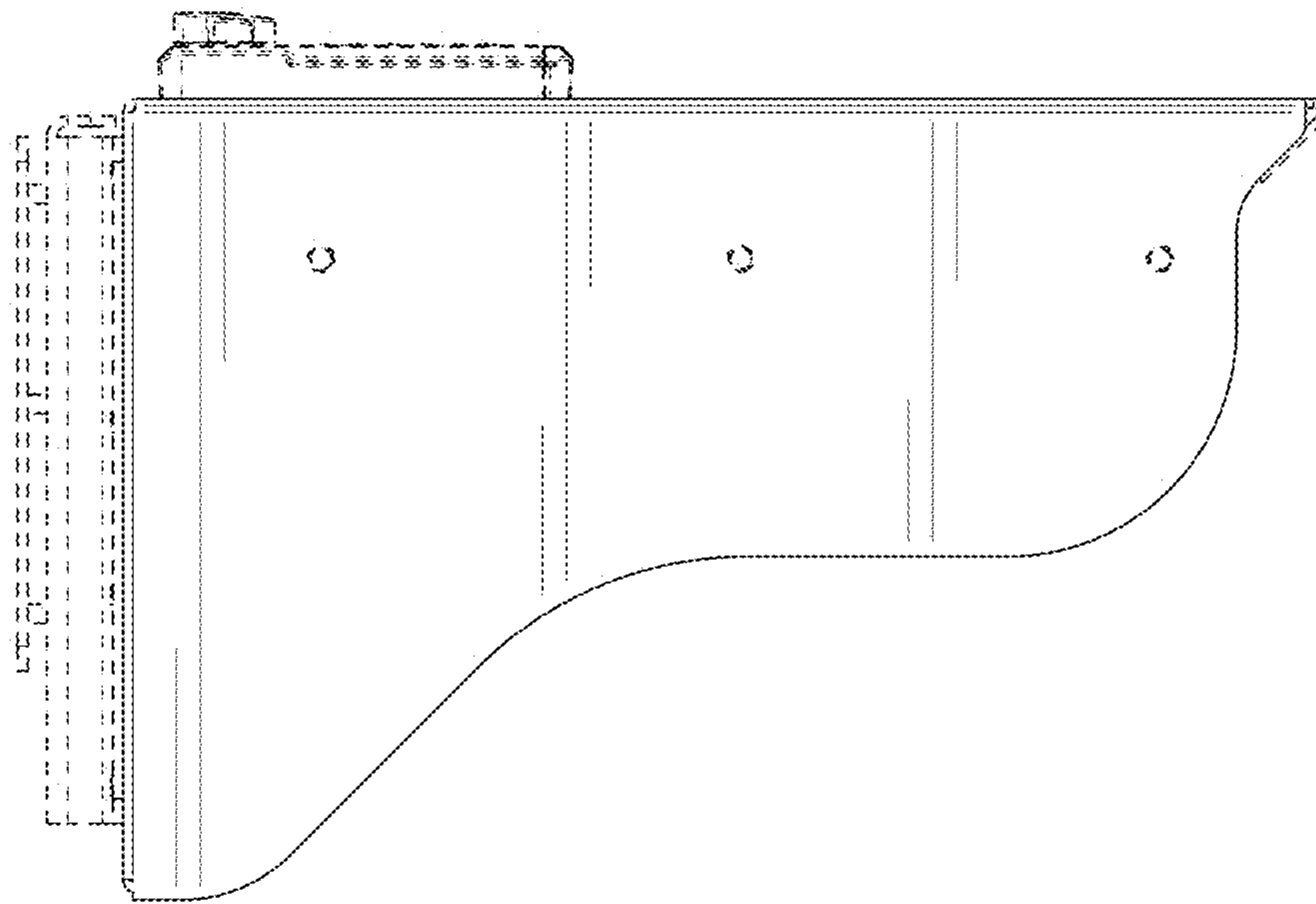


FIG. 4

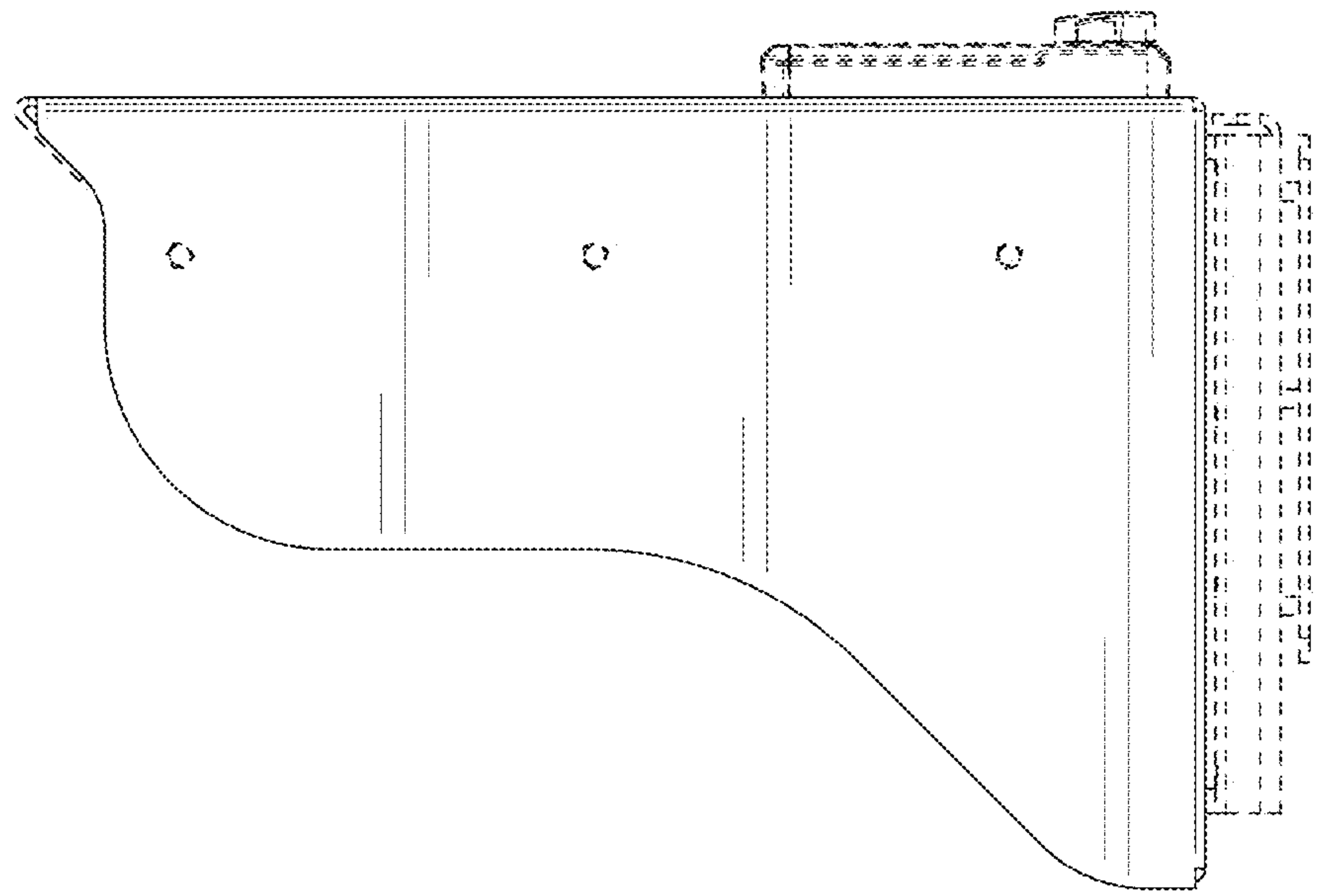


FIG. 5



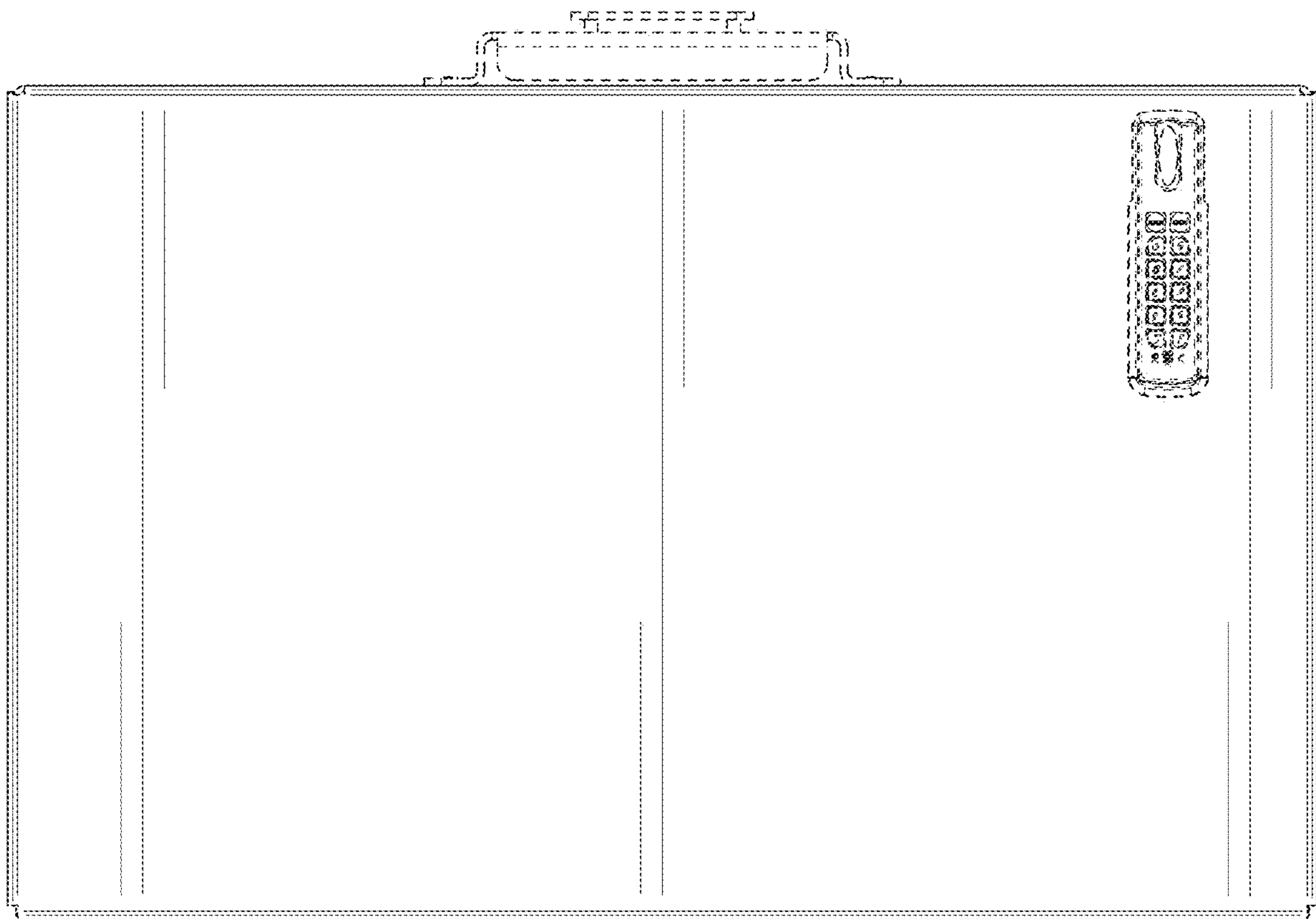


FIG. 6



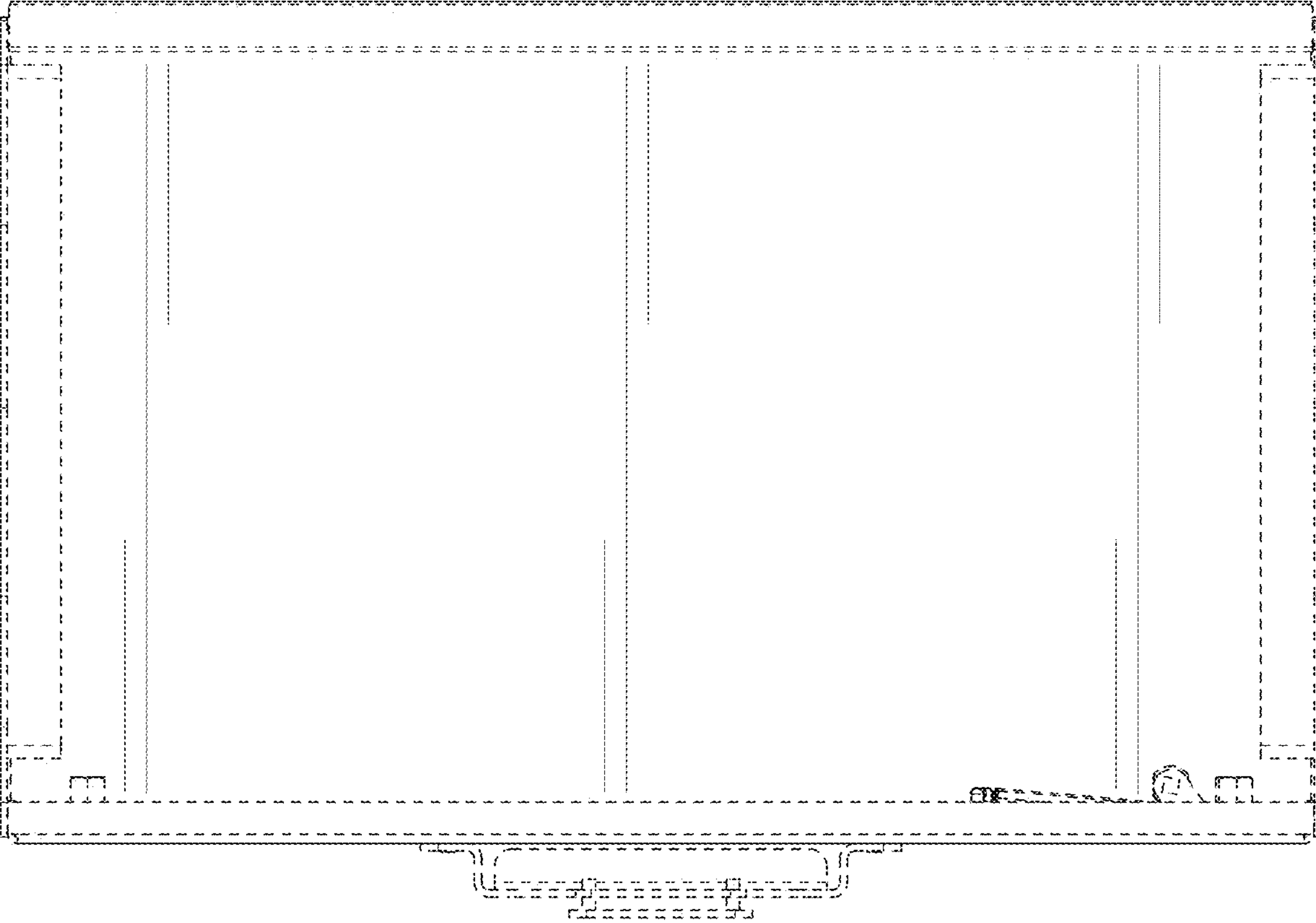


FIG. 7

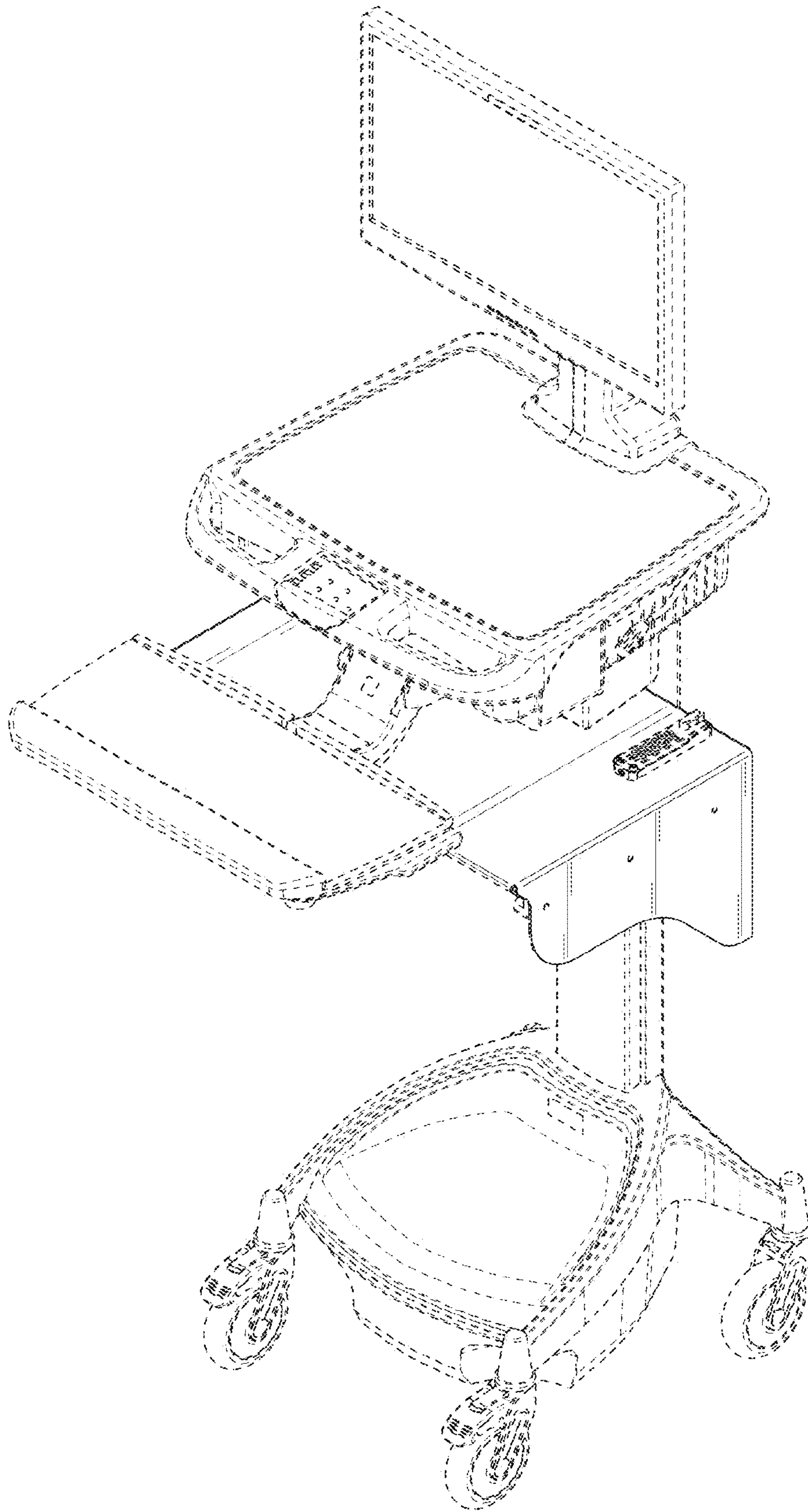


FIG. 8

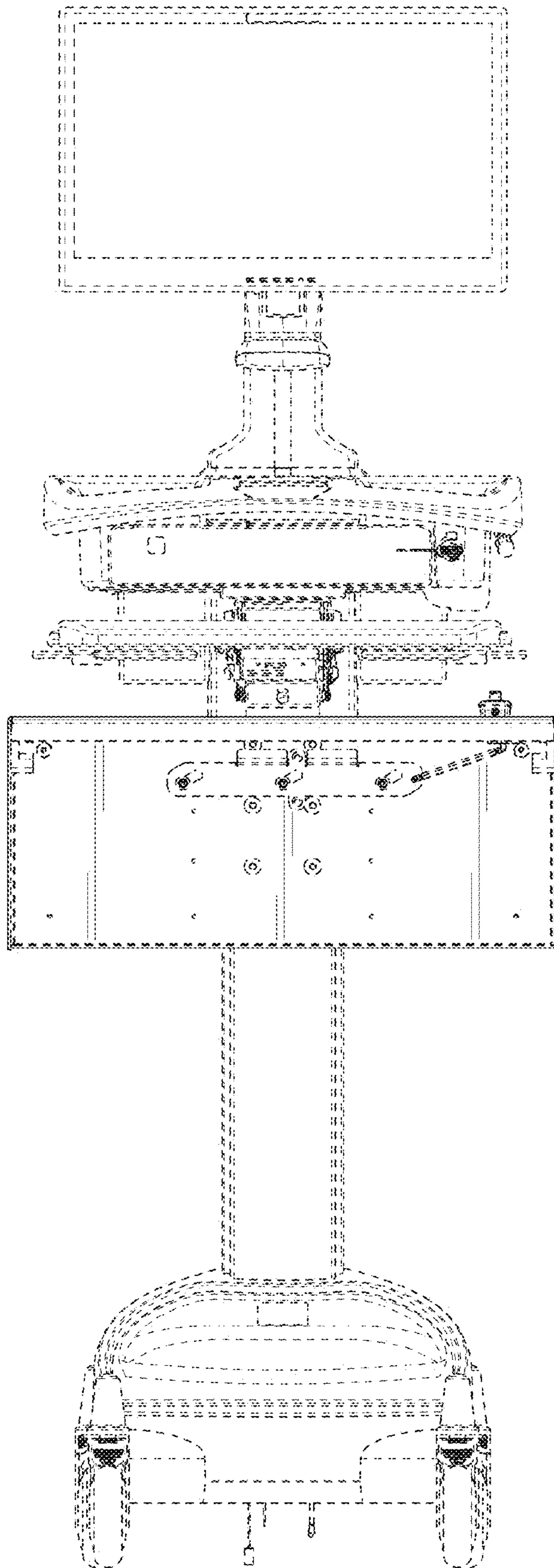


FIG. 9

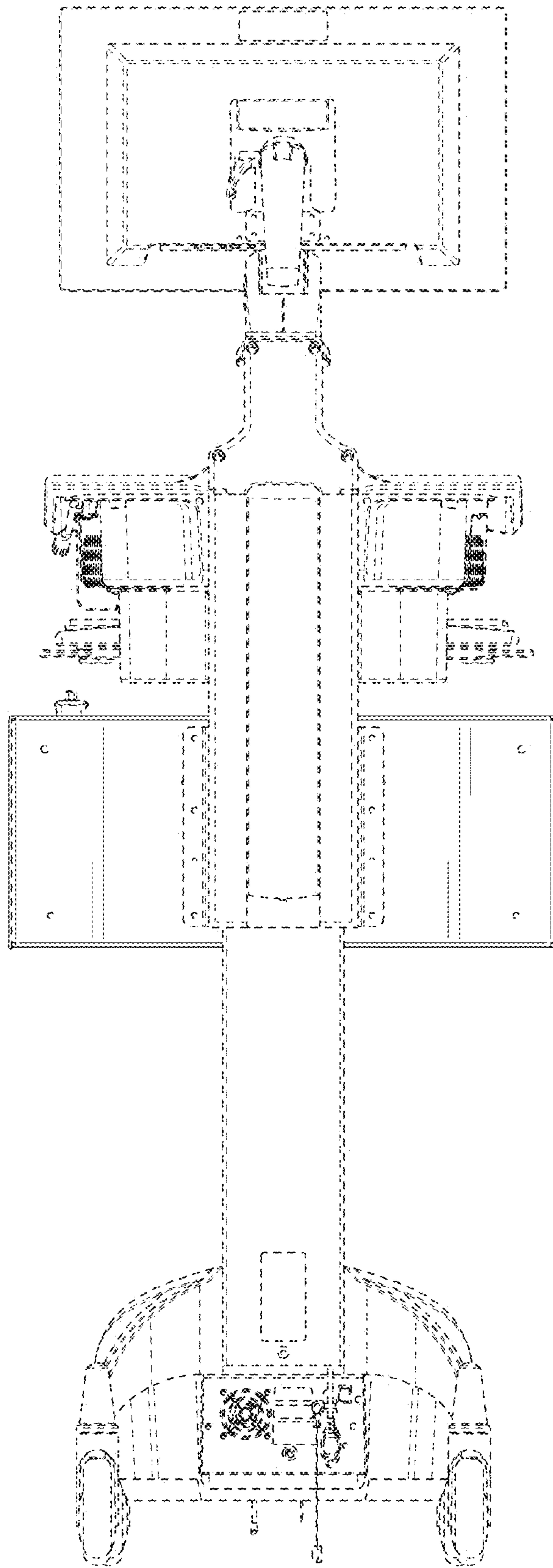


FIG. 10

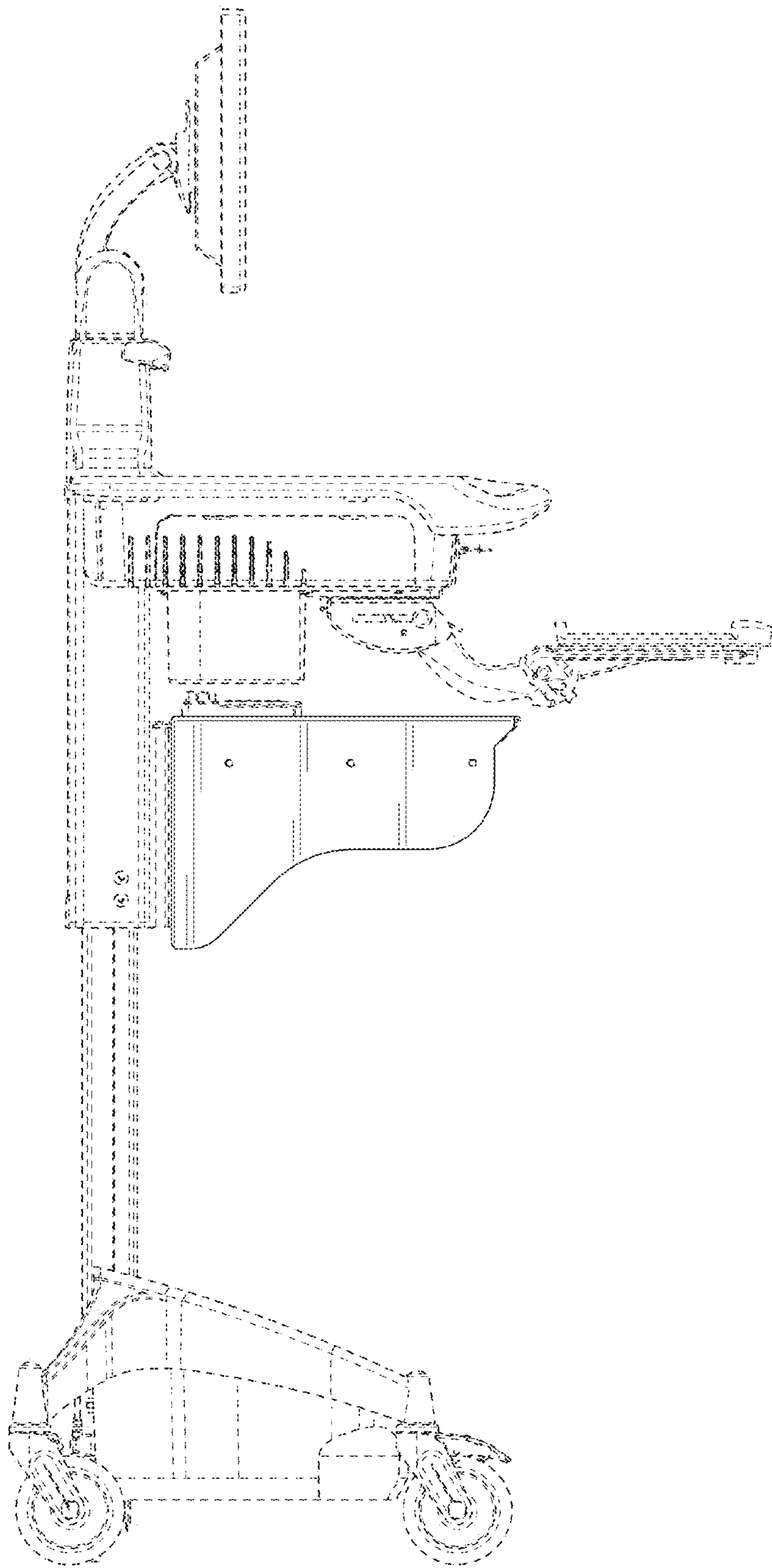


FIG. 11



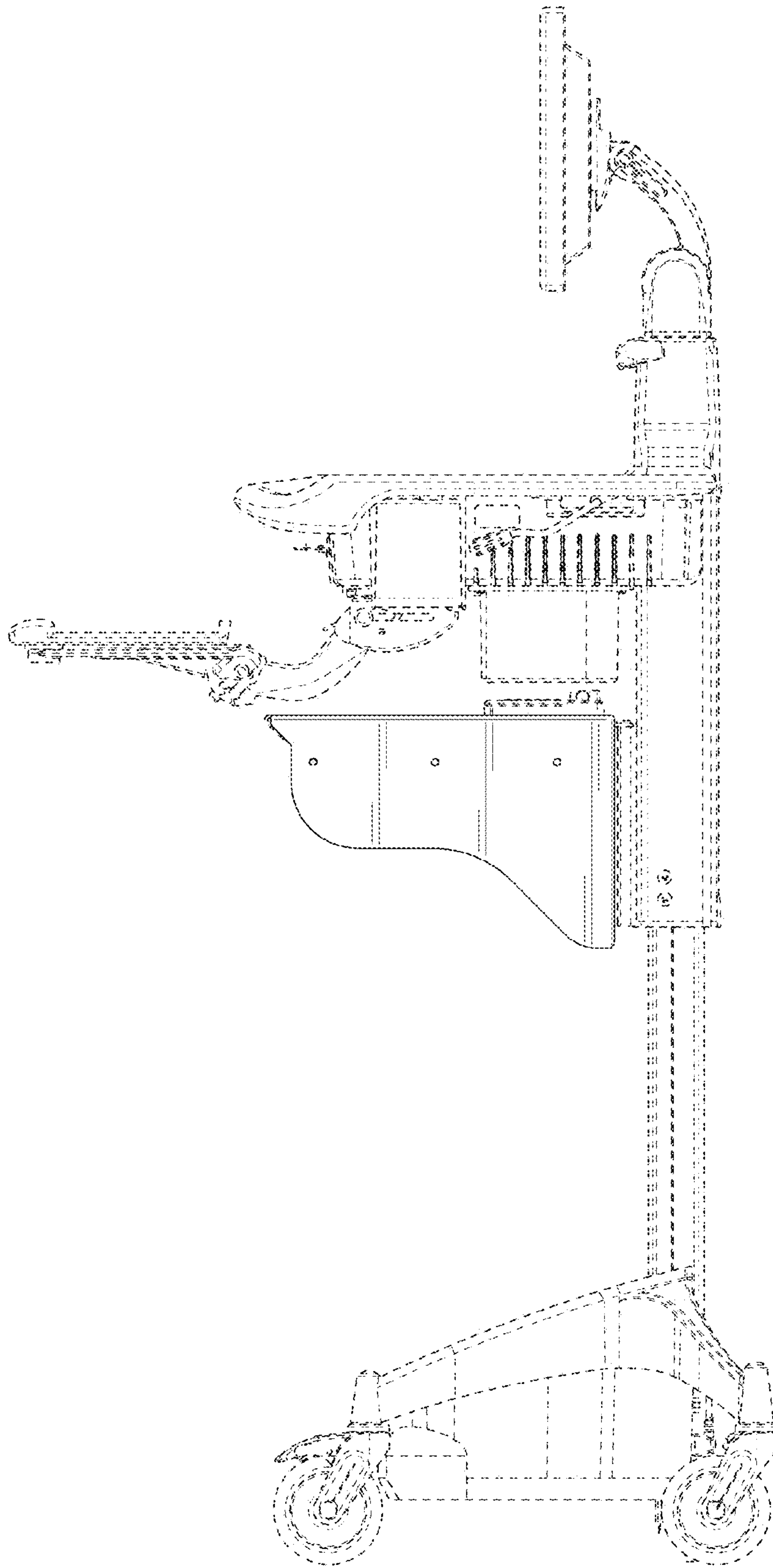


FIG. 12

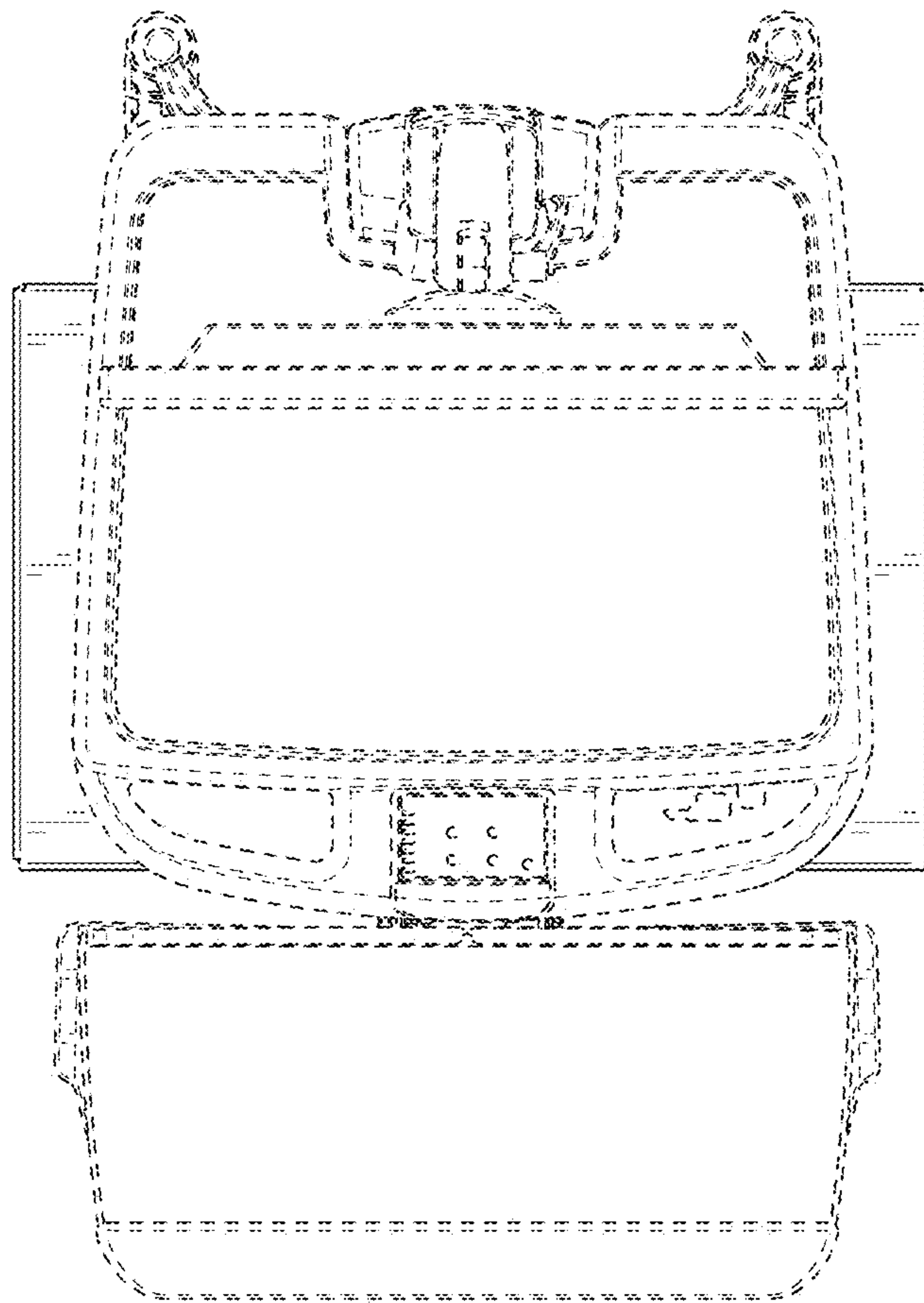


FIG. 13



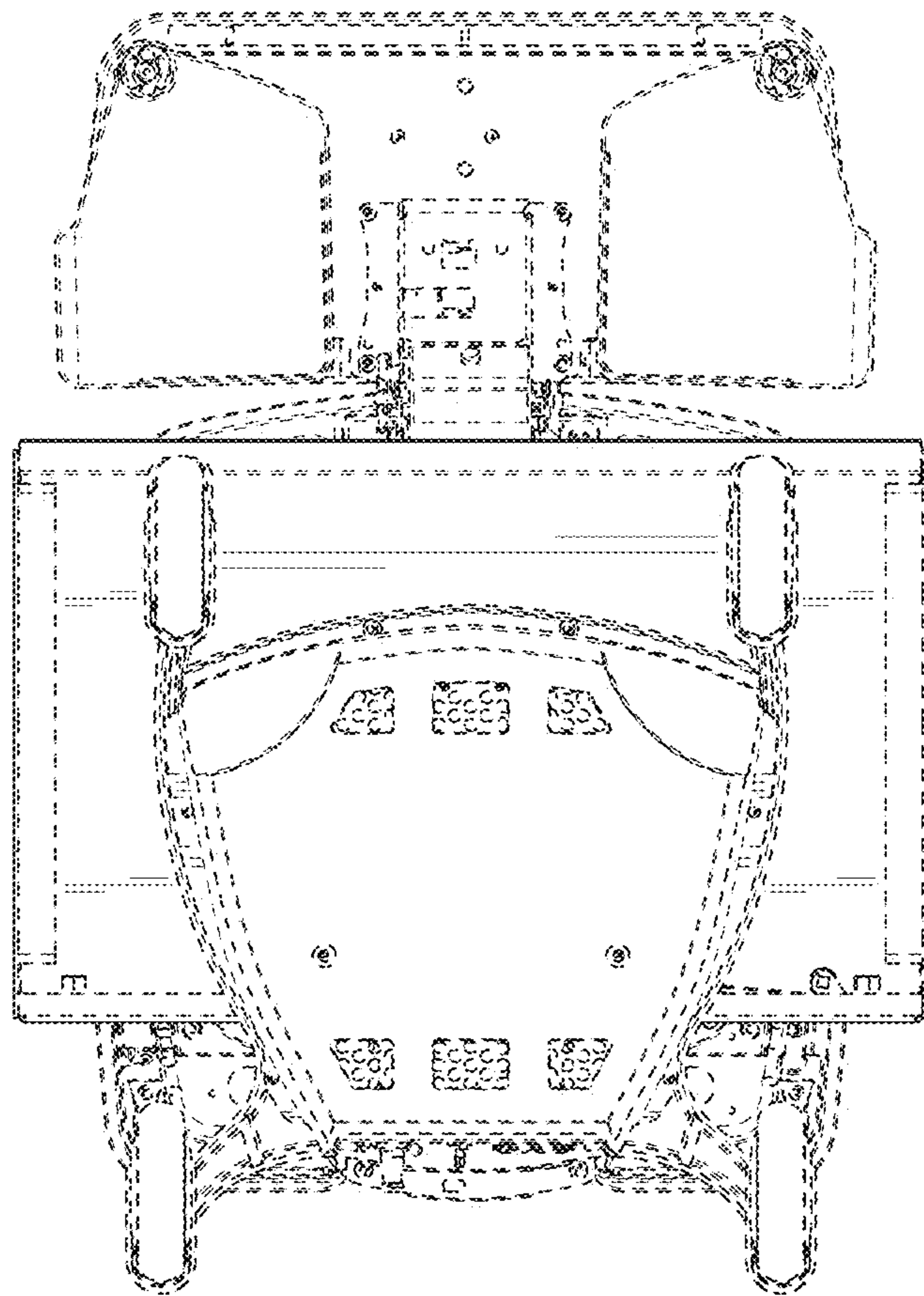


FIG. 14

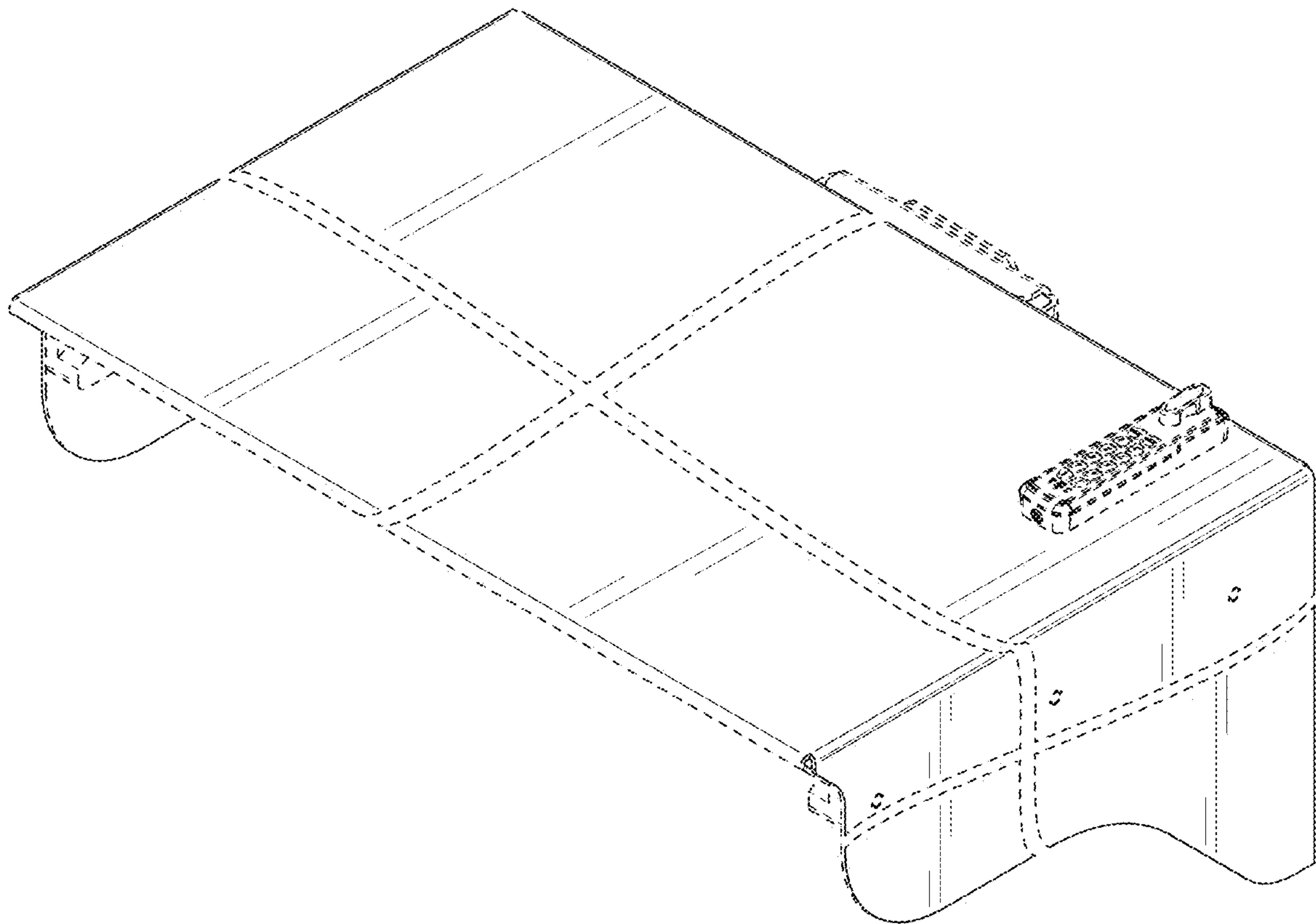


FIG. 15