



US00D908223S

(12) **United States Design Patent** (10) **Patent No.:** **US D908,223 S**
Pai et al. (45) **Date of Patent:** **** Jan. 19, 2021**

(54) **TEETH CLEANING SYSTEM**
(71) Applicant: **ZeroBrush, Inc.**, Palo Alto, CA (US)
(72) Inventors: **Nidhi Pai**, Palo Alto, CA (US); **Ria Pai**, Palo Alto, CA (US); **Jason Hu**, San Jose, CA (US); **Akash Pai**, Palo Alto, CA (US)
(73) Assignee: **ZeroBrush, Inc.**, Palo Alto, CA (US)
(**) Term: **15 Years**

D210,928 S 5/1968 Guth
D219,598 S 12/1970 Dieter
D219,599 S 12/1970 Dieter
D221,824 S 9/1971 Cook
D221,826 S 9/1971 Cook
4,011,616 A 3/1977 Kennedy
D312,546 S 12/1990 Goldenberg et al.
D355,804 S 2/1995 Crivelli
D476,182 S 6/2003 Hensel
D513,322 S 12/2005 Jackson, III et al.
8,617,090 B2 12/2013 Fougere et al.
8,631,531 B2 1/2014 Gamer et al.
8,745,802 B2* 6/2014 Steur A61C 17/222
15/22.1

(Continued)

(21) Appl. No.: **29/738,225**
(22) Filed: **Jun. 16, 2020**

FOREIGN PATENT DOCUMENTS

WO 2018087481 A1 5/2018
WO 2018160986 A1 9/2018
WO 2019224450 A1 11/2019

Related U.S. Application Data

(63) Continuation of application No. 29/719,751, filed on Jan. 7, 2020, now Pat. No. Des. 890,350.
(51) **LOC (13) Cl.** **24-02**
(52) **U.S. Cl.**
USPC **D24/176; D24/181**
(58) **Field of Classification Search**
USPC D24/176-178, 180-181; D29/108; D4/102, 109, 119
CPC A61C 7/08; A61C 17/22; A61C 17/222; A61C 17/0211; A61C 17/228; A61C 17/0202; A61C 17/036; A61C 17/3481; A46B 9/005; A46B 9/045; A46B 2200/1066
See application file for complete search history.

Primary Examiner — Wan Laymon
(74) *Attorney, Agent, or Firm* — Morgan, Lewis & Bockius LLP

(57) **CLAIM**

The ornamental design for a teeth cleaning system, as shown and described.

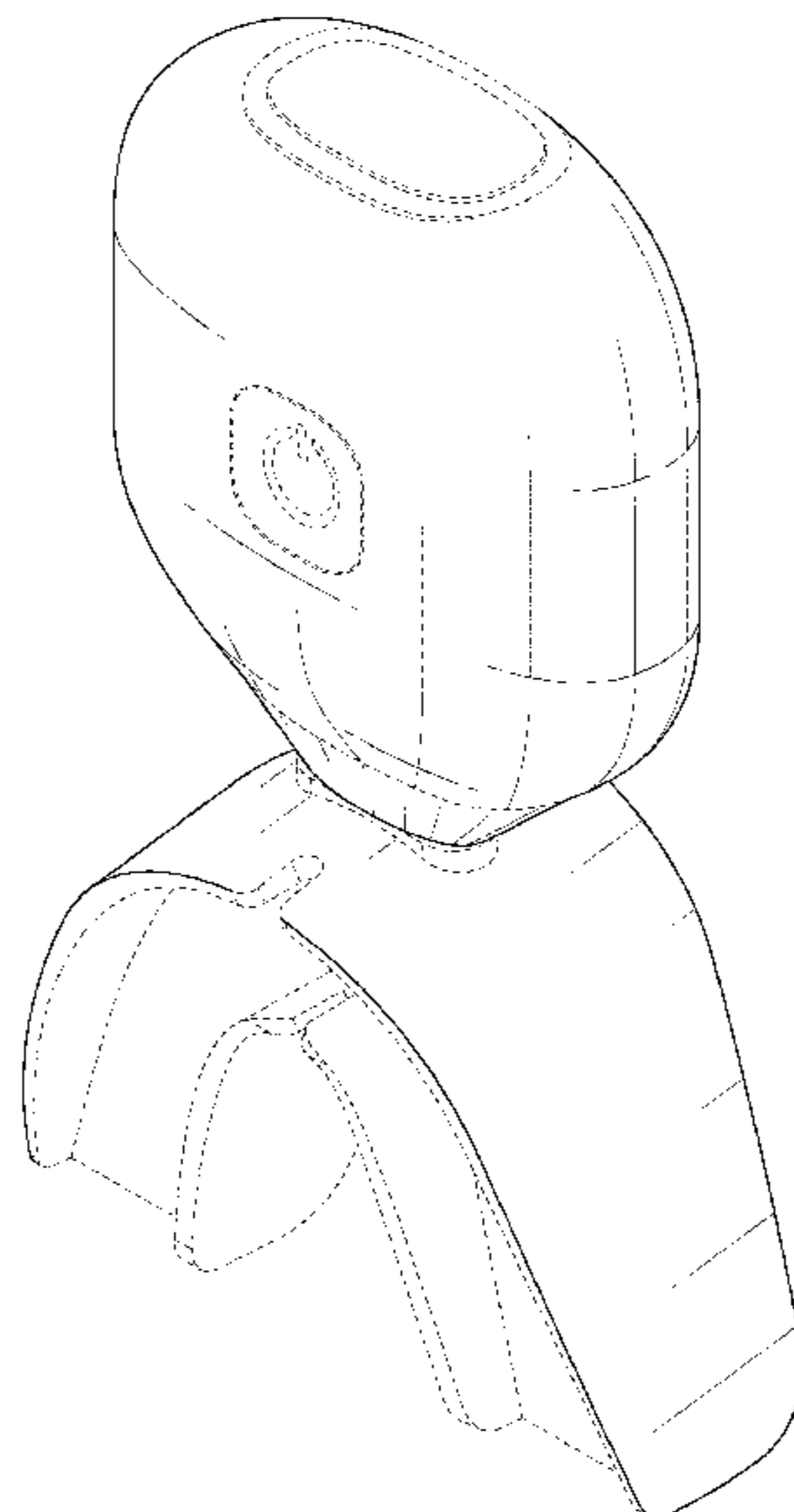
DESCRIPTION

FIG. 1 is a front perspective view of a teeth cleaning system showing our new design;
FIG. 2 is a front elevational view thereof;
FIG. 3 is a rear elevational view thereof;
FIG. 4 is a left-side elevational view thereof;
FIG. 5 is a right-side elevational view thereof;
FIG. 6 is a top plan view thereof; and,
FIG. 7 is a bottom plan view thereof.
The broken lines shown in the figures are included for the purpose of illustrating portions of the teeth cleaning system and form no part of the claimed design.

(56) **References Cited**
U.S. PATENT DOCUMENTS

D72,543 S 5/1927 Balmer
2,415,447 A 2/1947 Stanton
D155,372 S 12/1947 Whitman
D175,924 S 11/1955 Aul
D207,094 S 3/1967 Rakocy

1 Claim, 6 Drawing Sheets



(56)

References Cited

U.S. PATENT DOCUMENTS

8,978,189 B1 * 3/2015 Sexton A61C 17/228
15/28
D781,427 S * 3/2017 Blank D24/176
D787,068 S 5/2017 Sosa
D805,308 S 12/2017 Chitayat
D814,041 S 3/2018 Kile et al.
D830,571 S 10/2018 Ghahary et al.
10,085,822 B2 * 10/2018 Way A61C 7/08
10,314,679 B2 * 6/2019 Blank A61C 17/228
10,413,390 B2 9/2019 Yao
D864,399 S * 10/2019 Qin D24/176
D867,598 S * 11/2019 Qin D24/176
2001/0003332 A1 6/2001 Ventnor
2009/0276972 A1 11/2009 Dugan
2012/0189976 A1 7/2012 McDonough
2013/0171037 A1 7/2013 Im
2016/0135581 A1 5/2016 Pai
2018/0184795 A1 7/2018 Pai et al.
2018/0184857 A1 7/2018 Pai
2019/0000601 A1 1/2019 Huang et al.
2019/0216583 A1 7/2019 Zhou et al.
2019/0282348 A1 * 9/2019 Musialek A61C 17/222
2020/0046111 A1 * 2/2020 Pai A61C 17/222

* cited by examiner

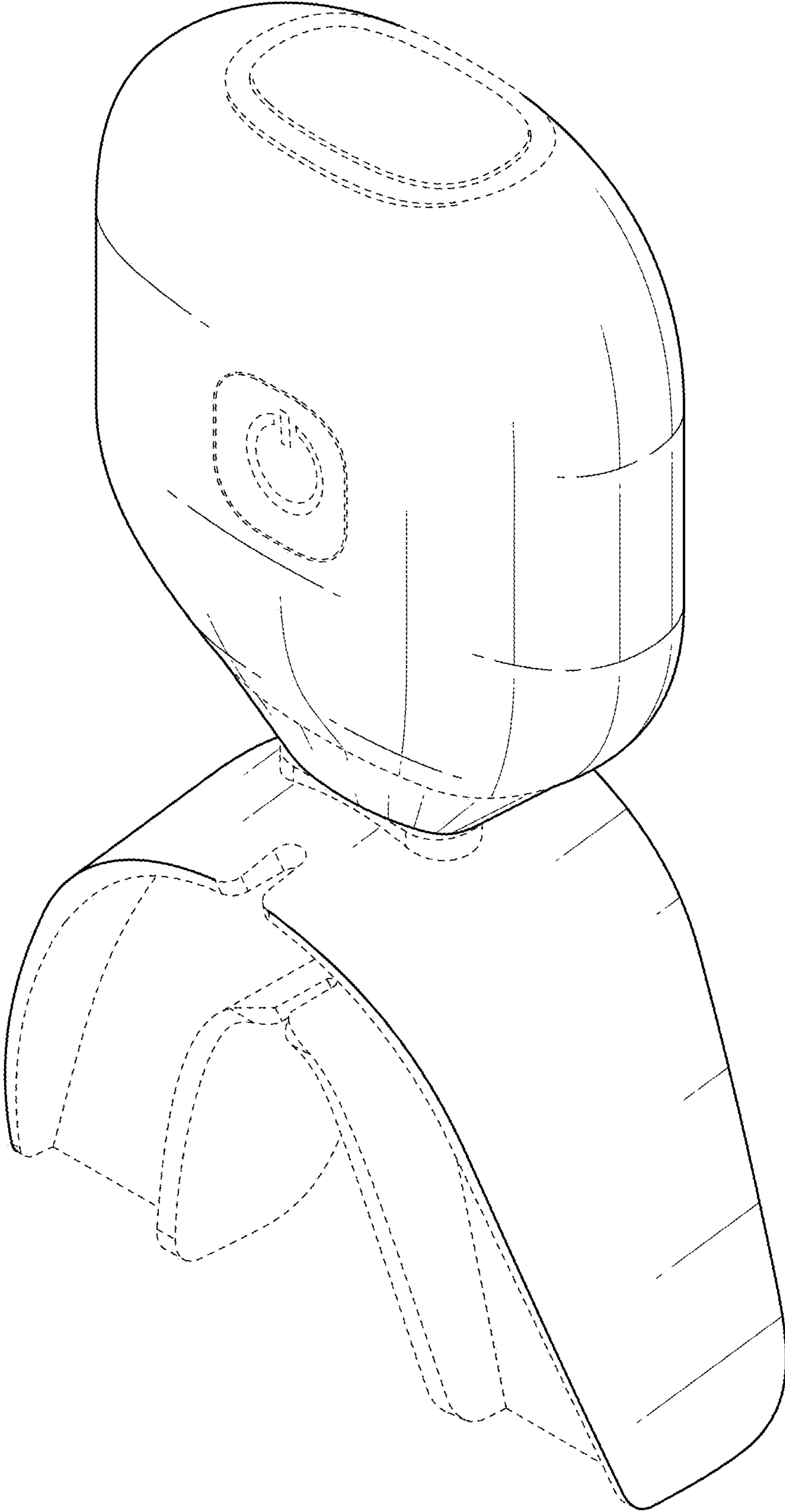


FIG. 1

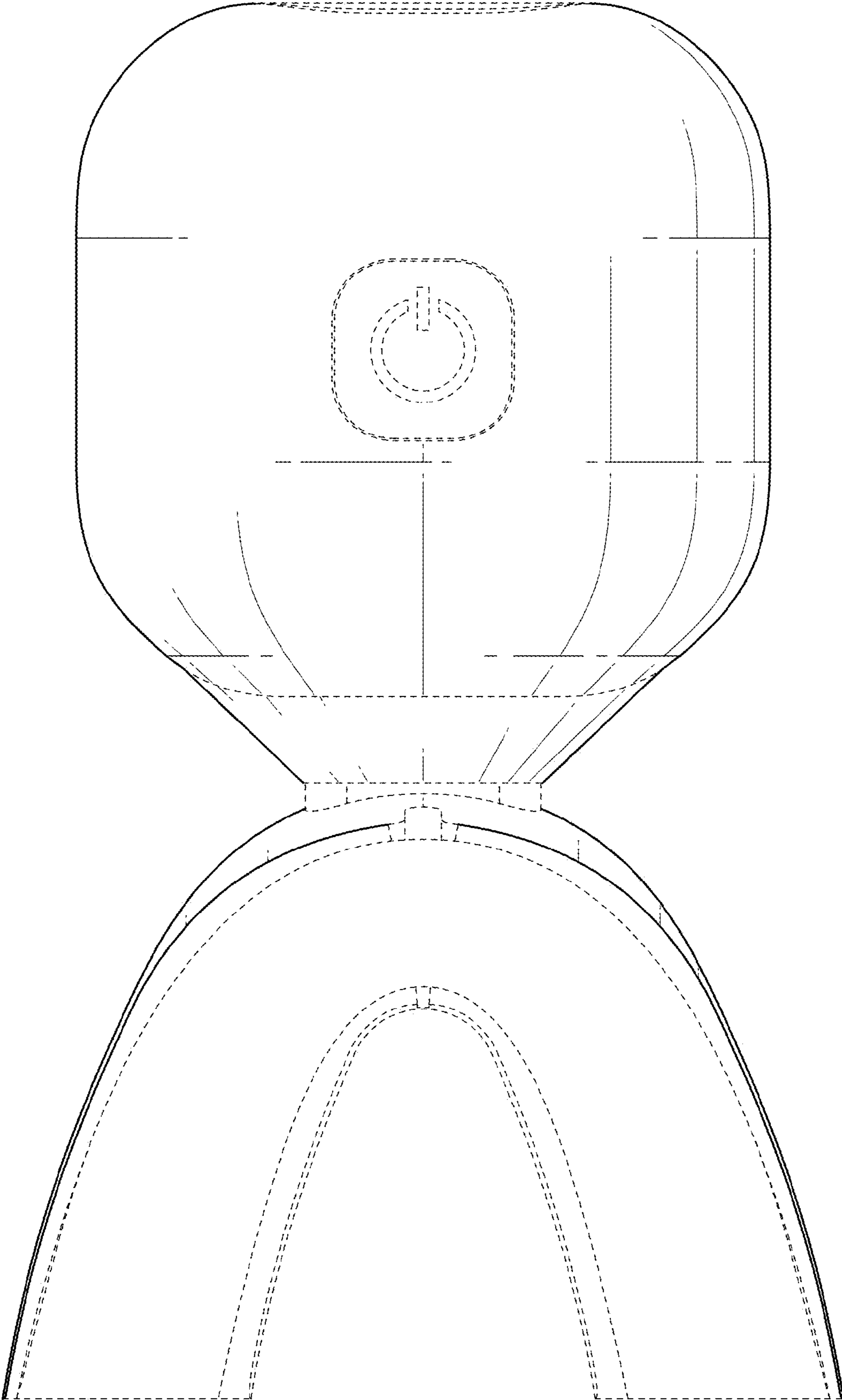


FIG. 2

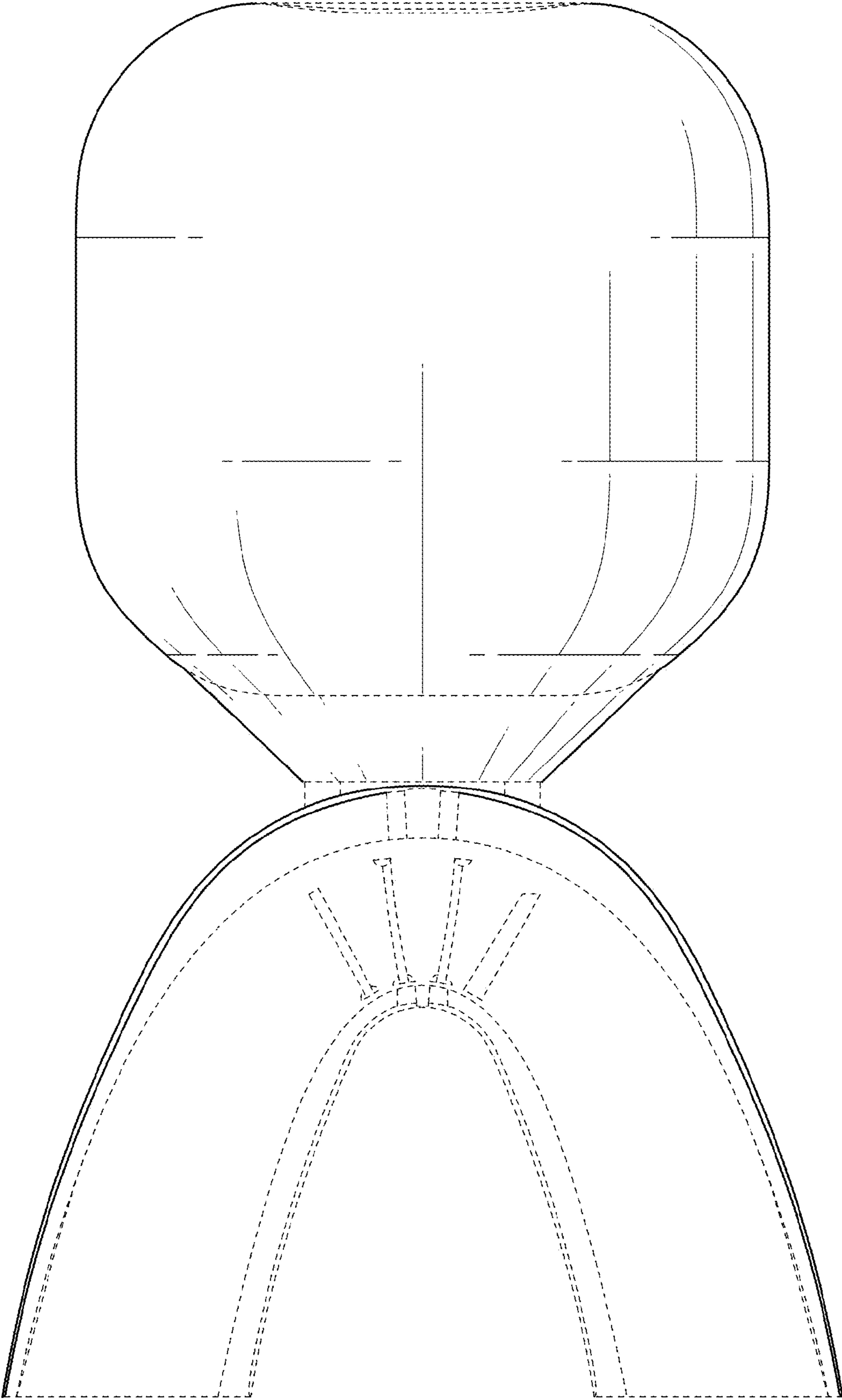


FIG. 3

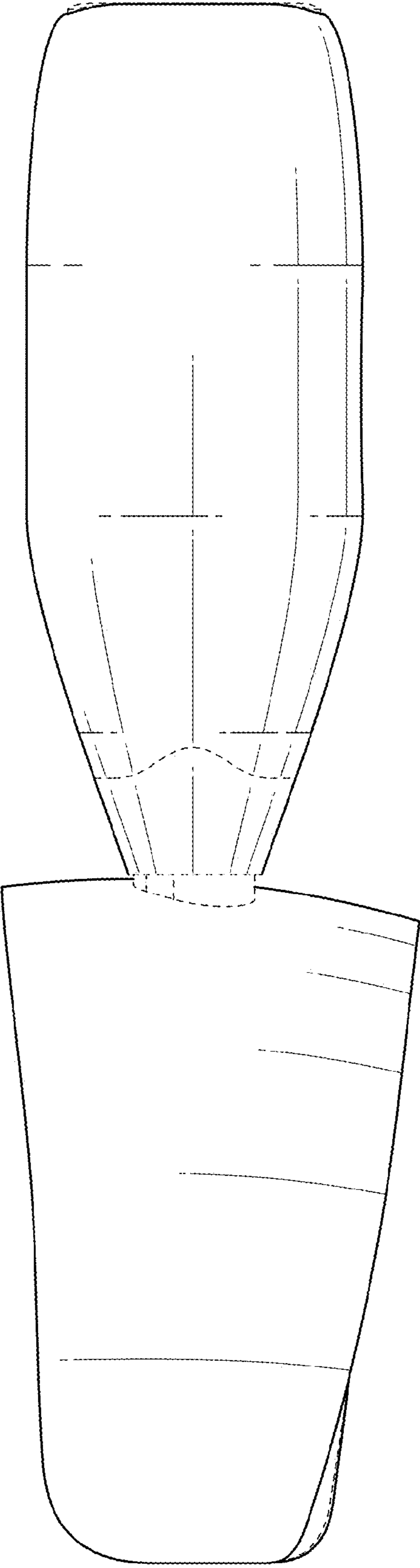


FIG. 4

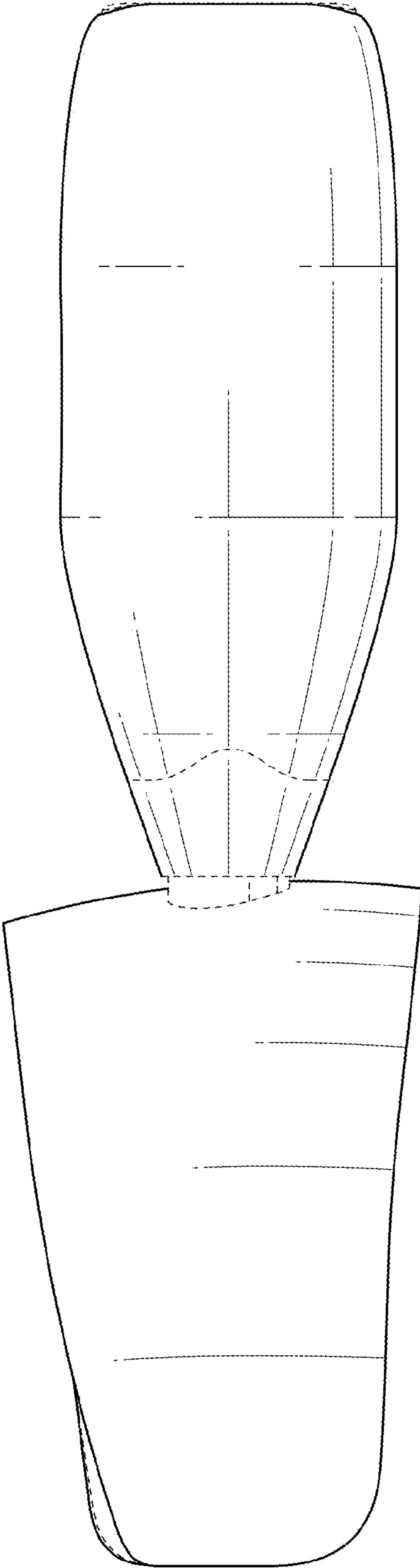


FIG. 5

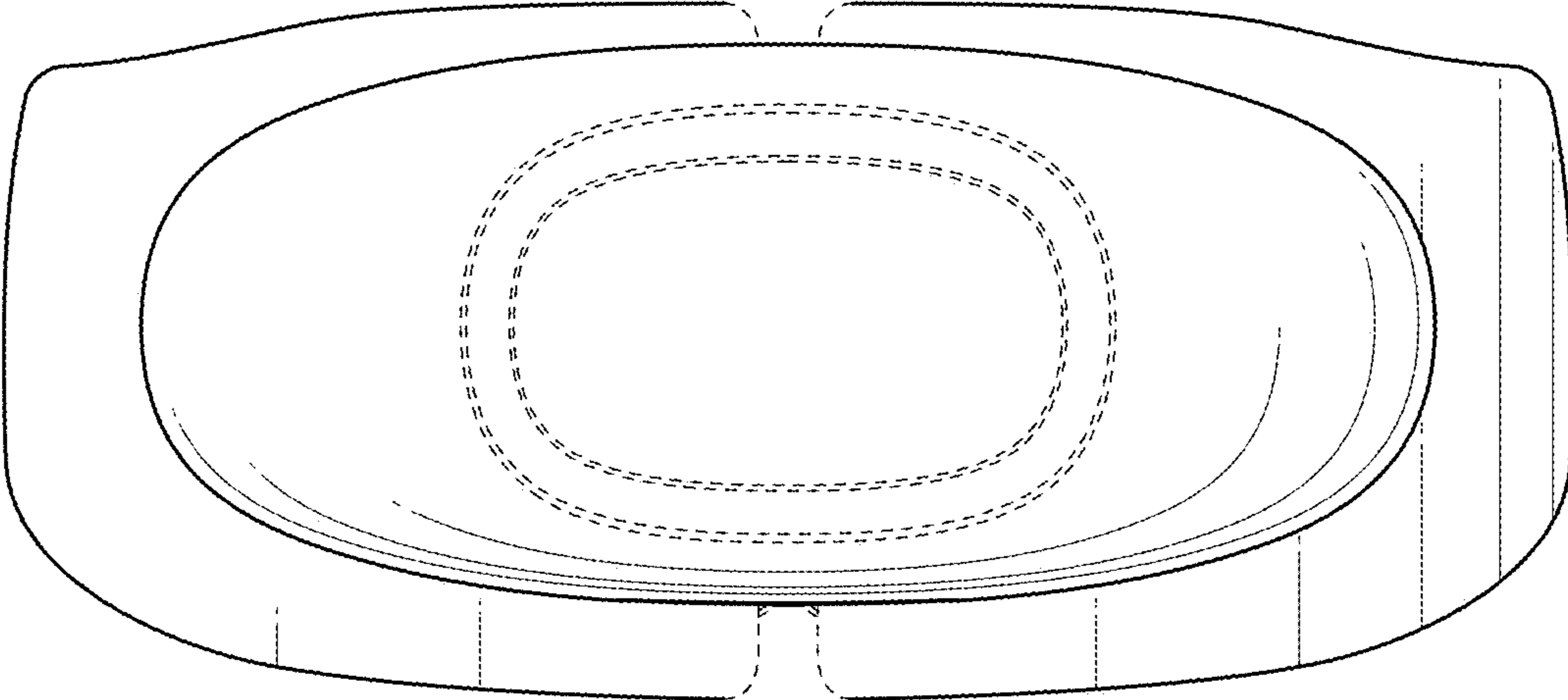


FIG. 6

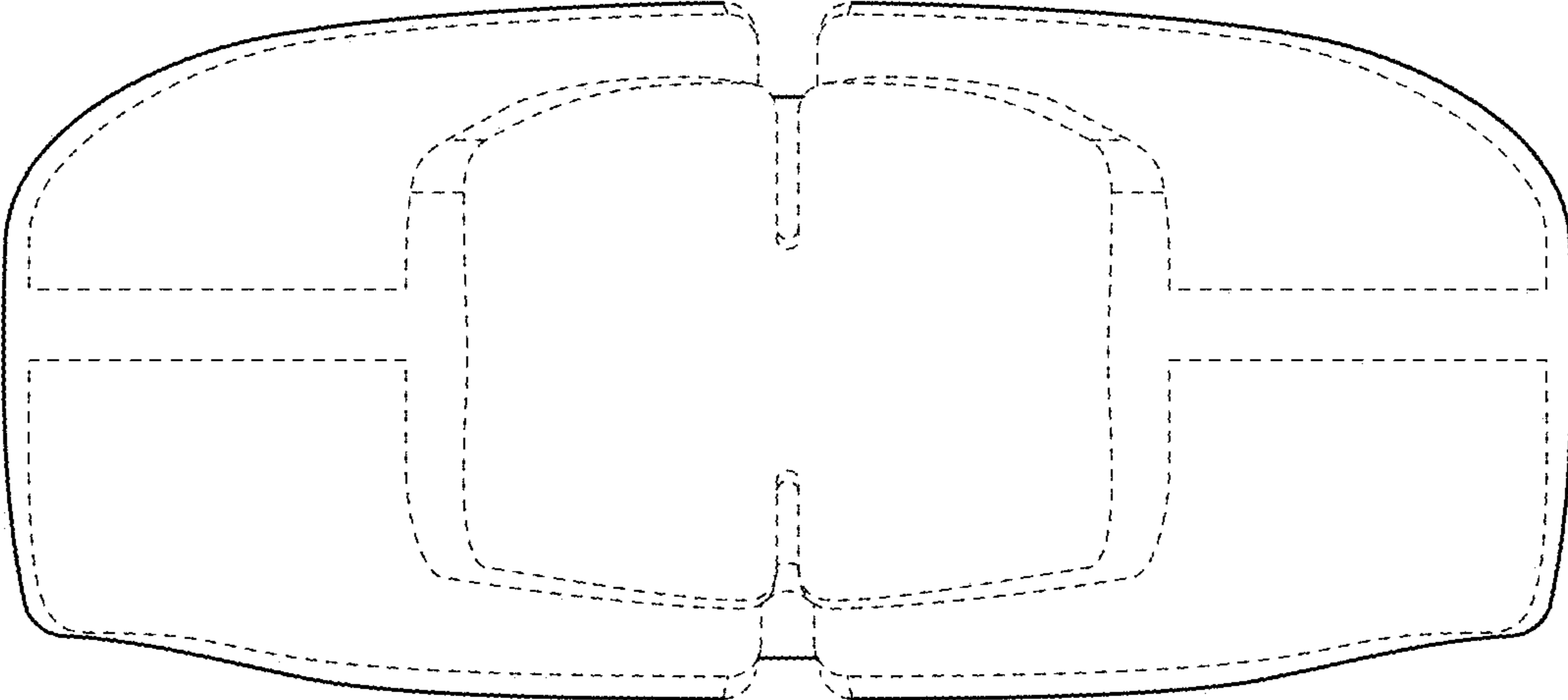


FIG. 7