



US00D908221S

(12) **United States Design Patent** (10) **Patent No.:** **US D908,221 S**
Lockenwitz (45) **Date of Patent:** **** Jan. 19, 2021**

(54) **BTE HEARING AID**
(71) Applicant: **Oticon A/S**, Smørum (DK)
(72) Inventor: **Christian Lockenwitz**, Allerød (DK)
(73) Assignee: **OTICON A/S**, Smørum (DK)
(**) Term: **15 Years**
(21) Appl. No.: **29/692,462**
(22) Filed: **May 24, 2019**

D797,940 S * 9/2017 Tipsmark D24/174
D806,251 S * 12/2017 Lockenwitz D24/174
D806,252 S * 12/2017 Lockenwitz D24/174
D855,187 S * 7/2019 Lockenwitz D24/174
D855,188 S * 7/2019 Lockenwitz D24/174
D872,280 S * 1/2020 Shi D24/174

* cited by examiner

Primary Examiner — Anhdao Doan
(74) *Attorney, Agent, or Firm* — Birch, Stewart, Kolasch & Birch, LLP

(30) **Foreign Application Priority Data**
Nov. 26, 2018 (EM) 005834330-0001
Nov. 26, 2018 (EM) 005834330-0002
(51) **LOC (13) Cl.** **24-99**
(52) **U.S. Cl.**
USPC **D24/174**
(58) **Field of Classification Search**
USPC D24/173–175; D14/205, 223–226, 249,
D14/230, 231, 236
CPC .. H04R 2225/025; H04R 25/60; H04R 25/63;
H04R 25/67; H04R 25/602; H04R
25/604; H04R 25/608; H04R 25/65;
H04R 25/652
See application file for complete search history.

(57) **CLAIM**

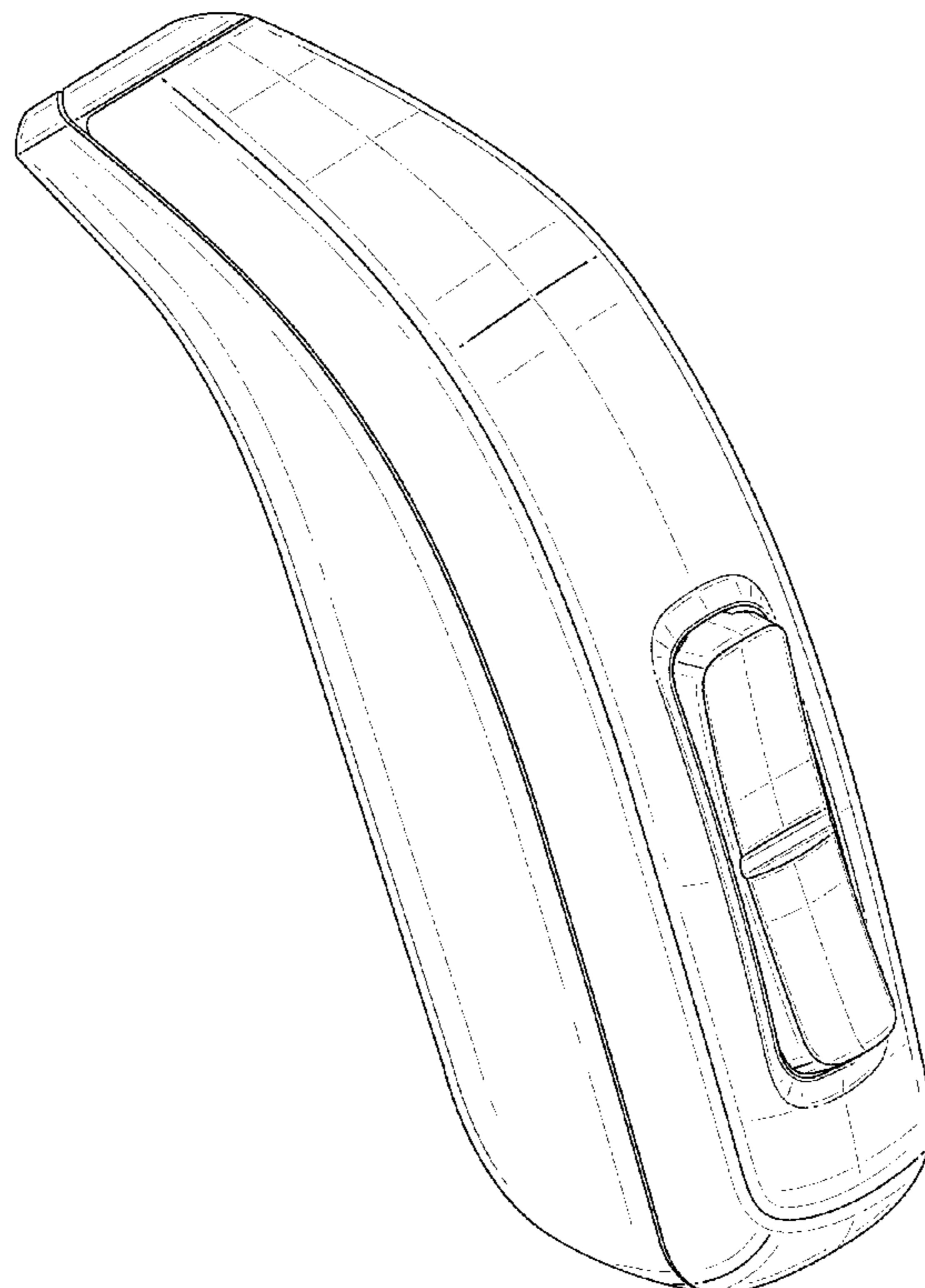
The ornamental design for a BTE hearing aid, as shown and described.

DESCRIPTION

FIG. 1 is a perspective view of a BTE hearing aid;
FIG. 2 is a rear view thereof;
FIG. 3 is a front view thereof;
FIG. 4 is a right side view thereof;
FIG. 5 is a left side view thereof;
FIG. 6 is a top view thereof; and,
FIG. 7 is a bottom view thereof.
The broken lines in FIGS. 3 and 6 represent the bounds of the claim and form no part of the claimed design.

(56) **References Cited**
U.S. PATENT DOCUMENTS
D698,025 S * 1/2014 Jensen D24/174
D705,936 S * 5/2014 Lockenwitz D24/174

1 Claim, 7 Drawing Sheets



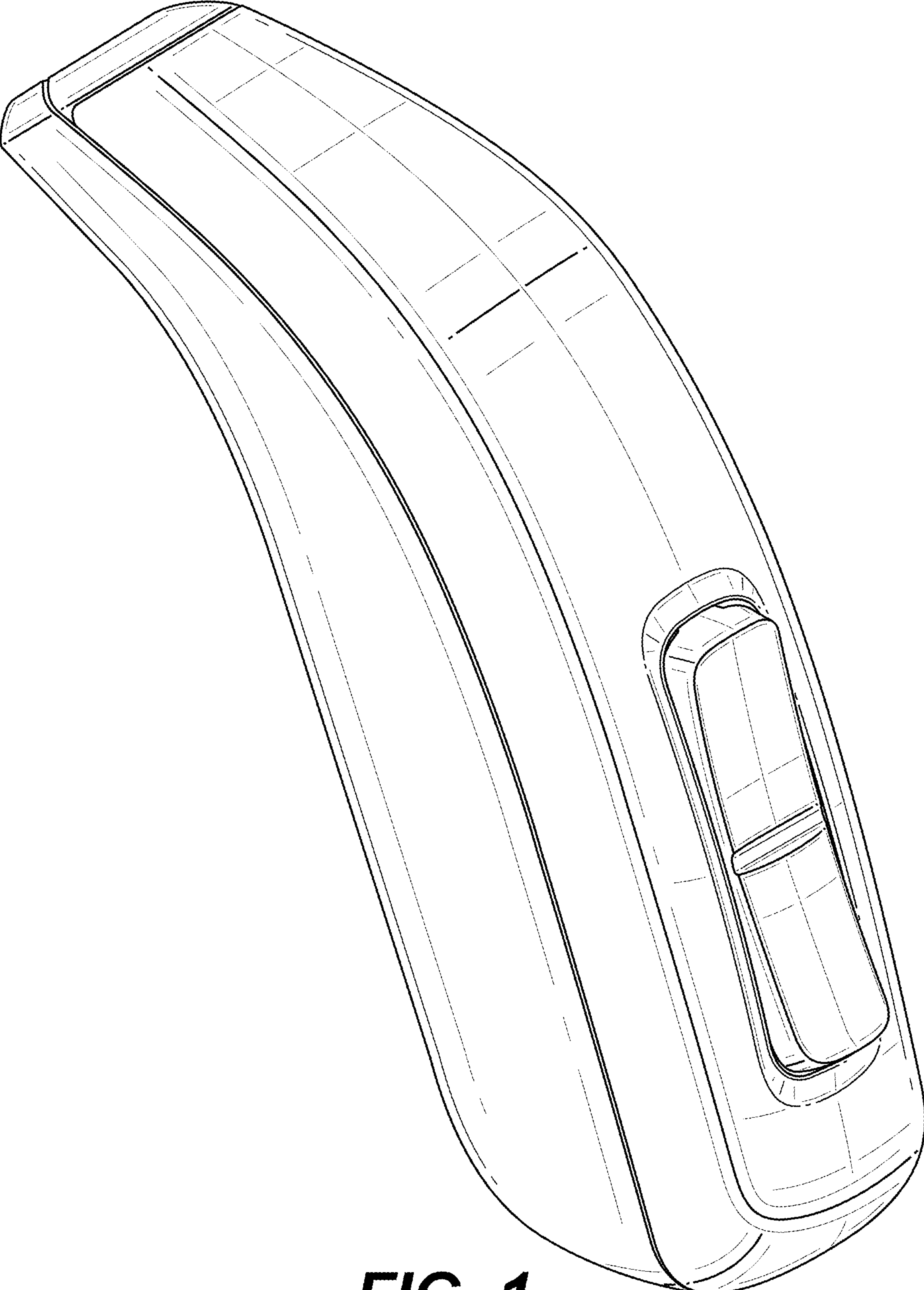


FIG. 1

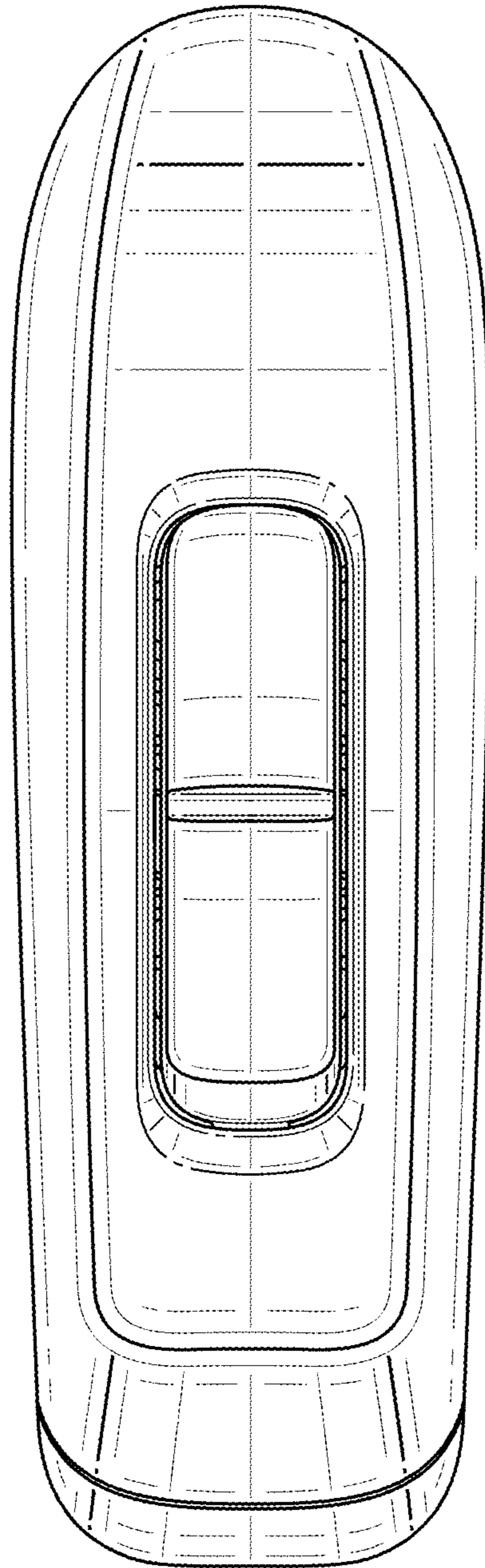


FIG. 2

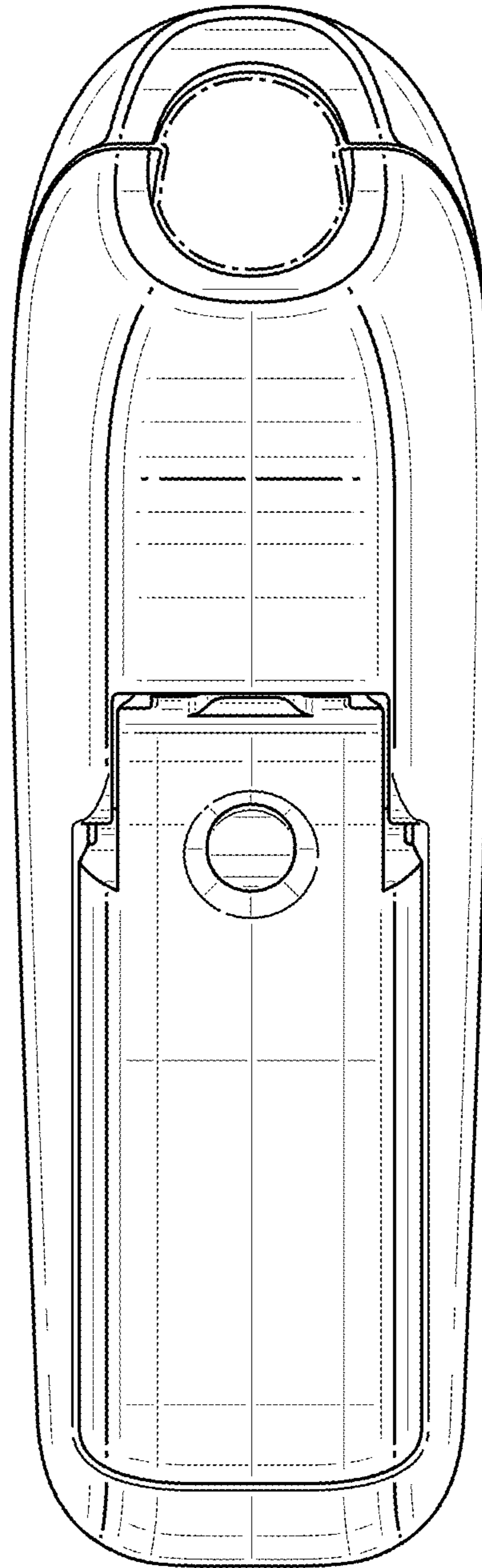


FIG. 3

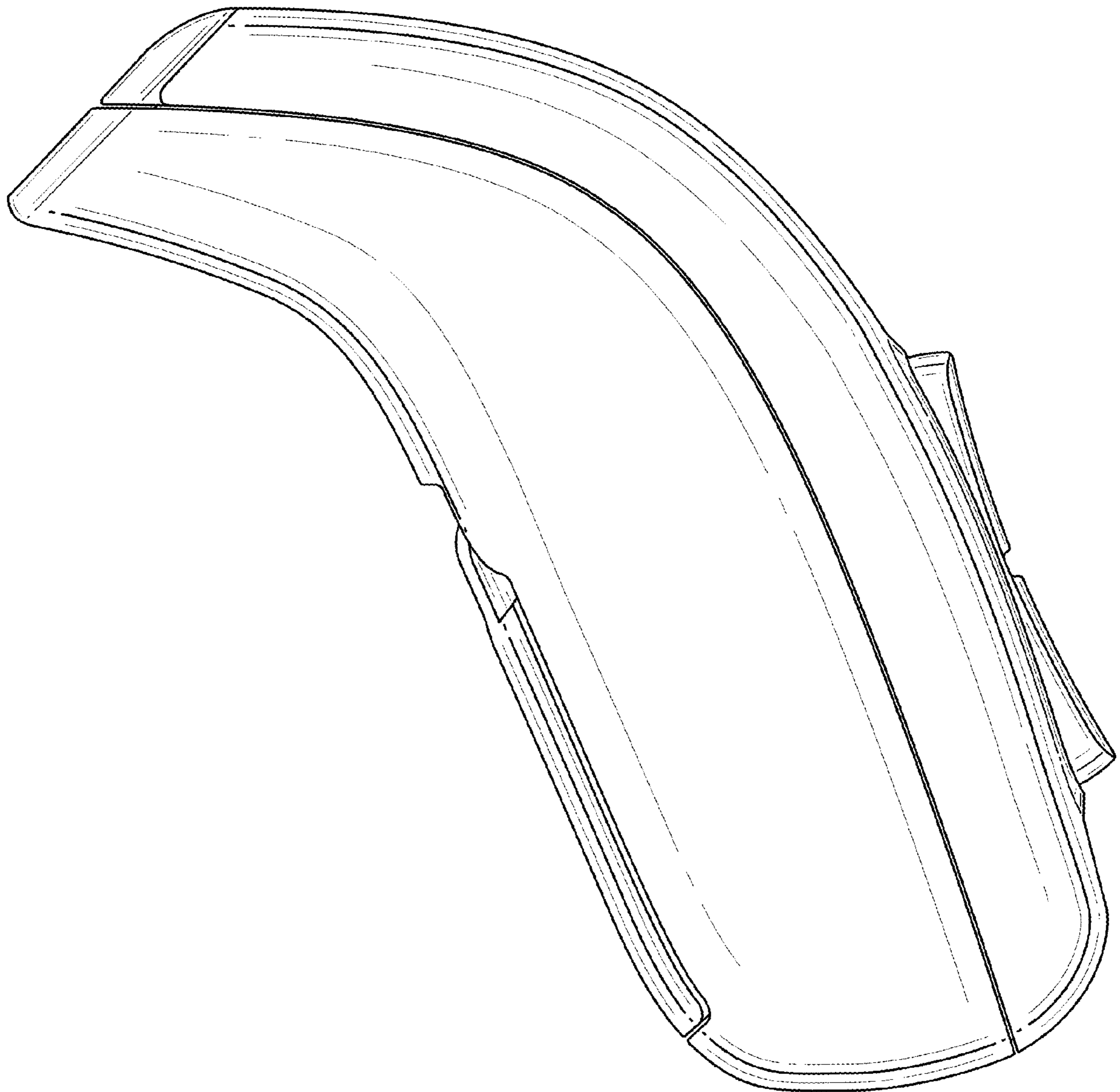


FIG. 4

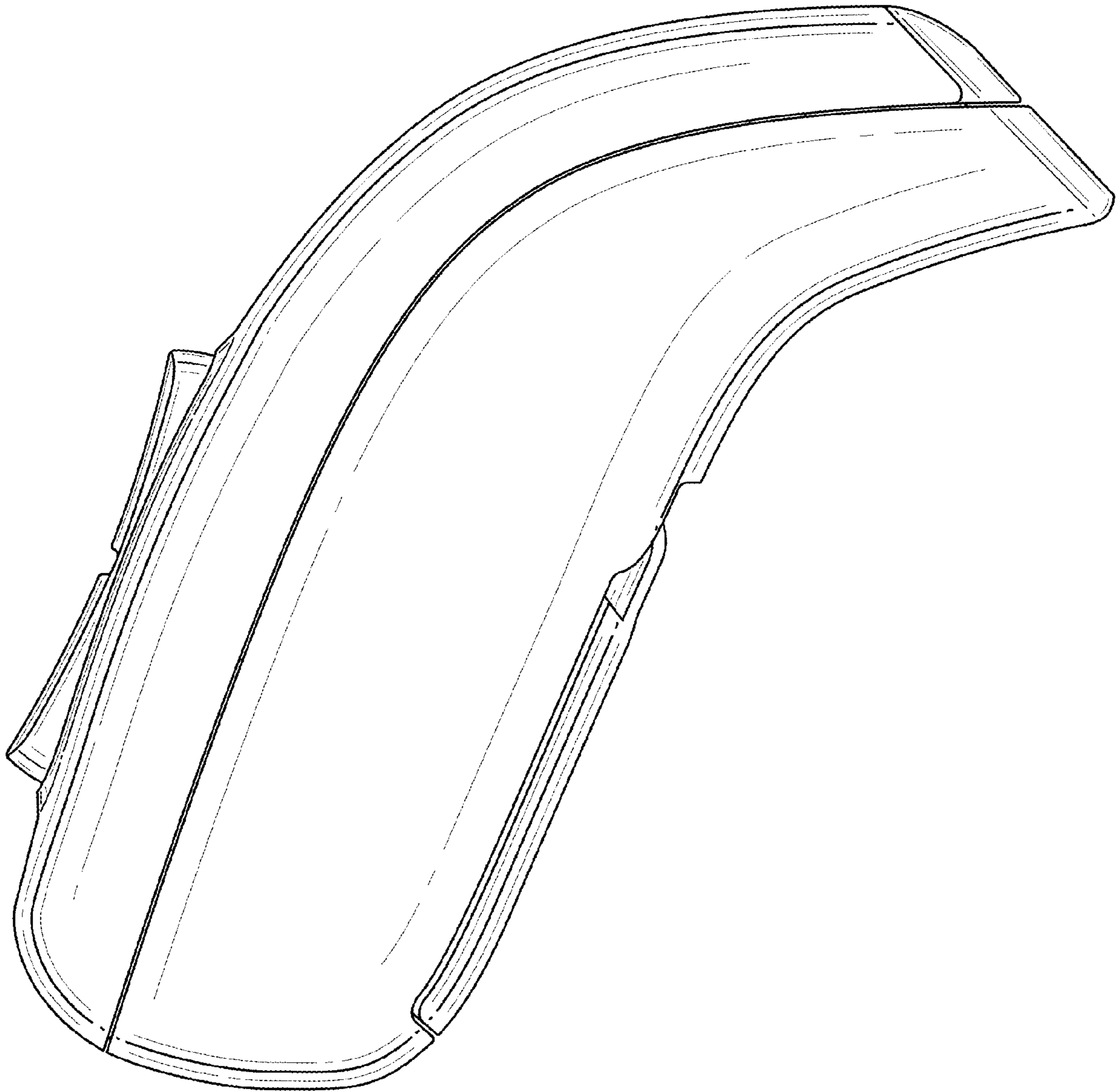


FIG. 5

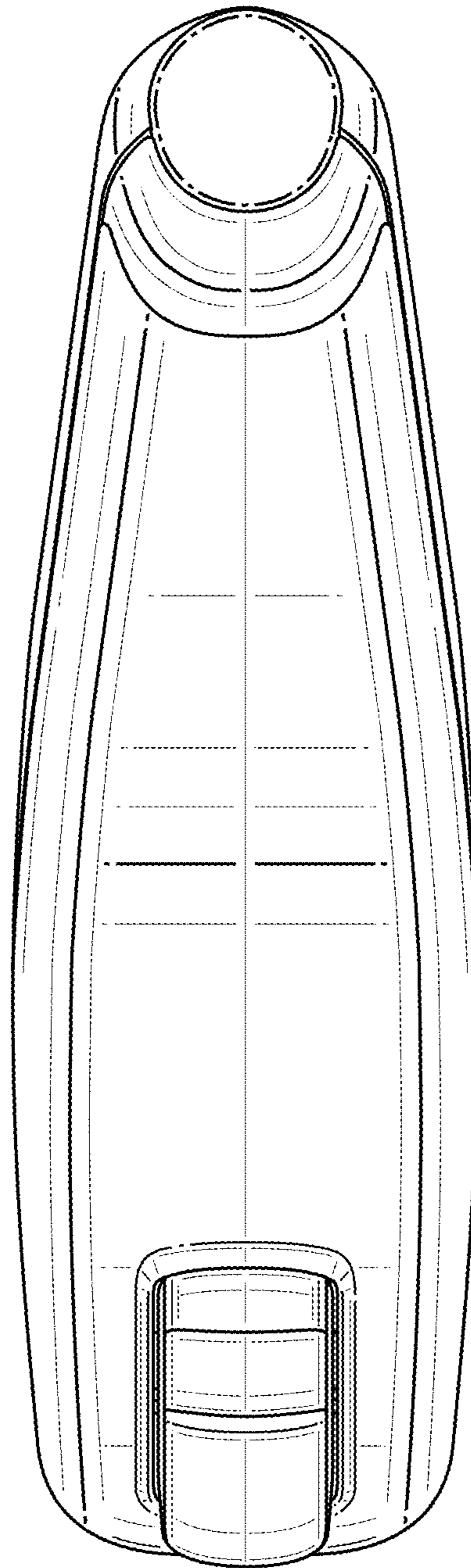


FIG. 6

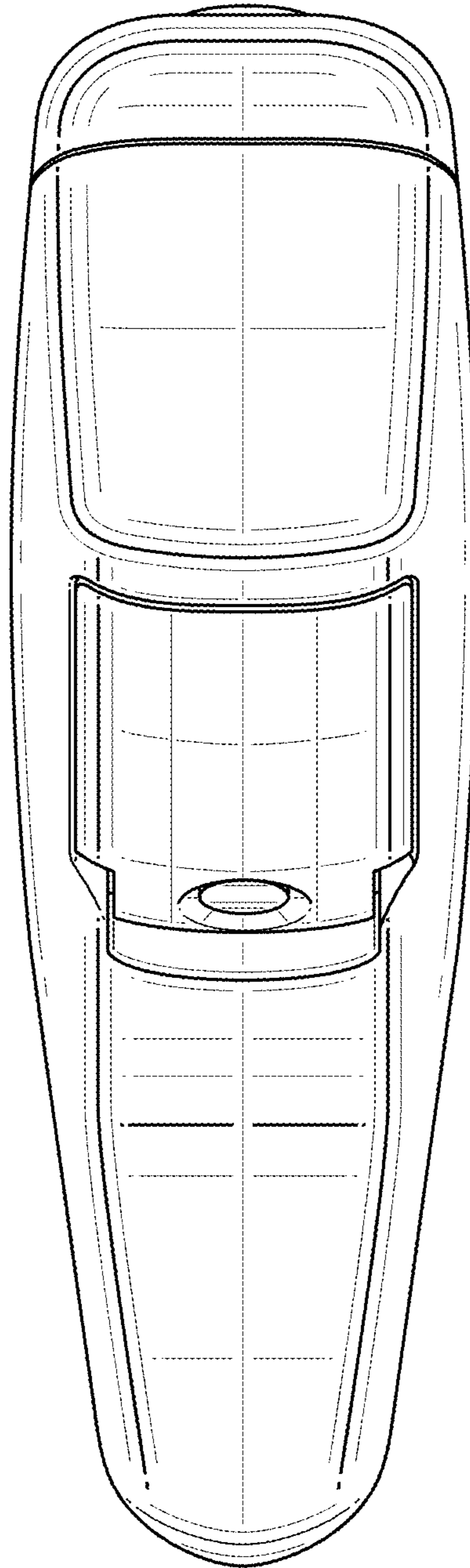


FIG. 7