



US00D908219S

(12) **United States Design Patent**  
**Chang**

(10) **Patent No.:** **US D908,219 S**  
(45) **Date of Patent:** **\*\* Jan. 19, 2021**

(54) **PAIR OF REMOVABLE, ADJUSTABLE WIRE ARMS FOR NOSE PADS**

(71) Applicant: **General Scientific Corp.**, Ann Arbor, MI (US)

(72) Inventor: **Byung J. Chang**, Ann Arbor, MI (US)

(73) Assignee: **General Scientific Corp.**, Ann Arbor, MI (US)

(\*\*) Term: **15 Years**

(21) Appl. No.: **29/677,271**

(22) Filed: **Jan. 18, 2019**

(51) **LOC (13) Cl.** ..... **16-06**

(52) **U.S. Cl.**  
USPC ..... **D24/172; D16/332**

(58) **Field of Classification Search**  
USPC ..... D24/172, 135, 106; D14/126; D16/332, D16/316, 320, 315, 333, 327  
CPC ..... A45D 29/007; G02C 11/00; G02C 7/088; G02C 5/08; G02C 9/00; G02C 9/02; G02C 5/122; G02C 5/02; G02B 7/002; A61M 15/085; A61F 5/08; A45C 11/04  
See application file for complete search history.

(56) **References Cited**

**U.S. PATENT DOCUMENTS**

- 1,292,083 A \* 1/1919 Sawyer ..... A61F 5/08 606/199
- 2,243,360 A \* 5/1941 Slatis ..... A61M 15/085 128/206.11
- 2,804,636 A \* 9/1957 Sadler ..... A45D 29/007 15/119.2
- 3,209,755 A \* 10/1965 McCarthy ..... G02C 11/00 604/174
- 4,000,810 A \* 1/1977 Leblanc ..... A45C 11/04 206/5
- D329,446 S \* 9/1992 Negishi ..... 351/106

- D380,264 S \* 6/1997 Petruson ..... D24/106
- 5,949,517 A \* 9/1999 Lindberg ..... A45C 11/04 206/5
- D444,491 S \* 7/2001 Iwanaga ..... D16/333
- D461,835 S \* 8/2002 Onodera ..... D16/327
- 6,493,136 B2 \* 12/2002 Chang ..... G02B 7/002 351/158
- D476,355 S \* 6/2003 Nielsen ..... D16/315

(Continued)

*Primary Examiner* — Rhea Shields

(74) *Attorney, Agent, or Firm* — Law Offices of John G. Posa

(57) **CLAIM**

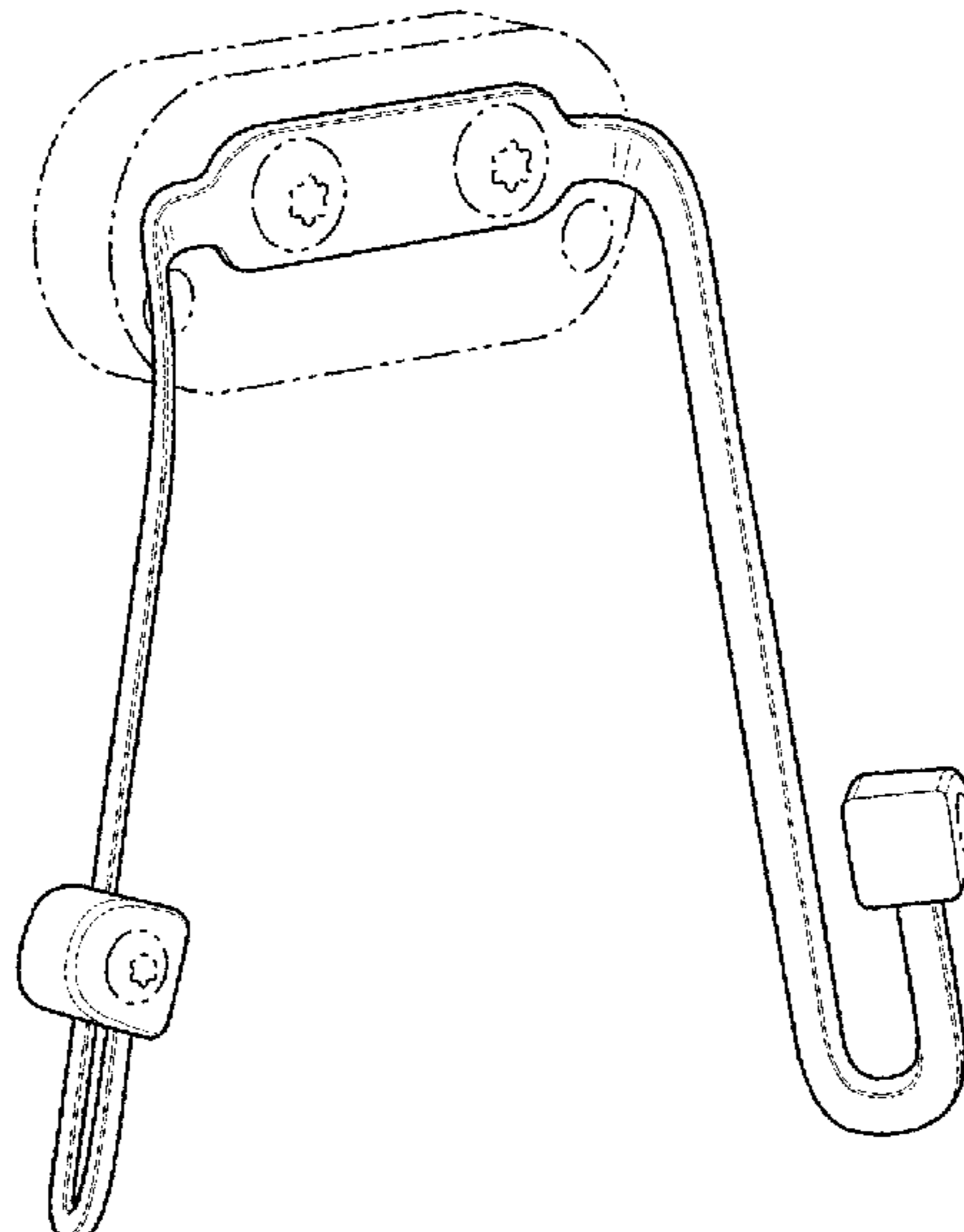
The ornamental design for a pair of removable, adjustable wire arms for nose pads, as shown and described.

**DESCRIPTION**

FIG. 1 is a first rear, side perspective of pair of removable, adjustable wire arms for nose pads;  
 FIG. 2 is a second rear, side perspective of pair of removable, adjustable wire arms for nose pads;  
 FIG. 3 is an exploded perspective of pair of removable, adjustable wire arms for nose pads;  
 FIG. 4 is a rear view of pair of removable, adjustable wire arms for nose pads;  
 FIG. 5 is a front view of pair of removable, adjustable wire arms for nose pads;  
 FIG. 6 is a first side view of pair of removable, adjustable wire arms for nose pads;  
 FIG. 7 is a second side view of pair of removable, adjustable wire arms for nose pads;  
 FIG. 8 is a bottom view of pair of removable, adjustable wire arms for nose pads; and,  
 FIG. 9 is a top view of pair of removable, adjustable wire arms for nose pads.

The broken lines in the drawings depict portions of the pair of removable, adjustable wire arms for nose pads that form no part of the claimed design.

**1 Claim, 4 Drawing Sheets**



(56)

**References Cited**

## U.S. PATENT DOCUMENTS

6,637,878 B2 \* 10/2003 Huang ..... G02C 9/00  
351/47  
7,011,407 B2 \* 3/2006 Xie ..... G02C 5/02  
351/110  
D536,362 S \* 2/2007 Mouclier ..... D16/315  
D547,795 S \* 7/2007 Fuchs ..... D16/333  
D550,347 S \* 9/2007 Norton ..... D24/106  
D575,397 S \* 8/2008 Noce ..... D24/135  
7,497,570 B2 \* 3/2009 Cohen ..... G02C 5/122  
351/137  
7,517,082 B2 \* 4/2009 Huang ..... G02C 9/02  
2/13  
D597,123 S \* 7/2009 Strecker ..... D16/315  
D601,181 S \* 9/2009 Fuchs ..... D16/315  
D602,975 S \* 10/2009 Fuchs ..... D16/315  
D655,742 S \* 3/2012 Bogle ..... D16/330  
D728,669 S \* 5/2015 Kroman ..... D16/332  
D732,105 S \* 6/2015 Olsson ..... D16/332  
D749,669 S \* 2/2016 Ho ..... D16/332  
D761,897 S \* 7/2016 Cazalet ..... D16/332  
D772,329 S \* 11/2016 Hsu ..... D16/320  
D792,499 S \* 7/2017 Tanaka ..... D16/332  
9,726,902 B2 \* 8/2017 Shalon ..... A45C 11/04  
10,203,518 B2 \* 2/2019 Rado ..... G02C 5/08  
D877,234 S \* 3/2020 Miceli ..... D16/316  
D877,236 S \* 3/2020 Damin ..... D16/332  
D877,329 S \* 3/2020 Sumaily ..... D24/135  
D889,647 S \* 7/2020 Smith ..... D24/135  
2010/0290115 A1 \* 11/2010 Chang ..... G02C 7/088  
359/481  
2018/0239165 A1 \* 8/2018 Chang ..... G02C 7/088

\* cited by examiner

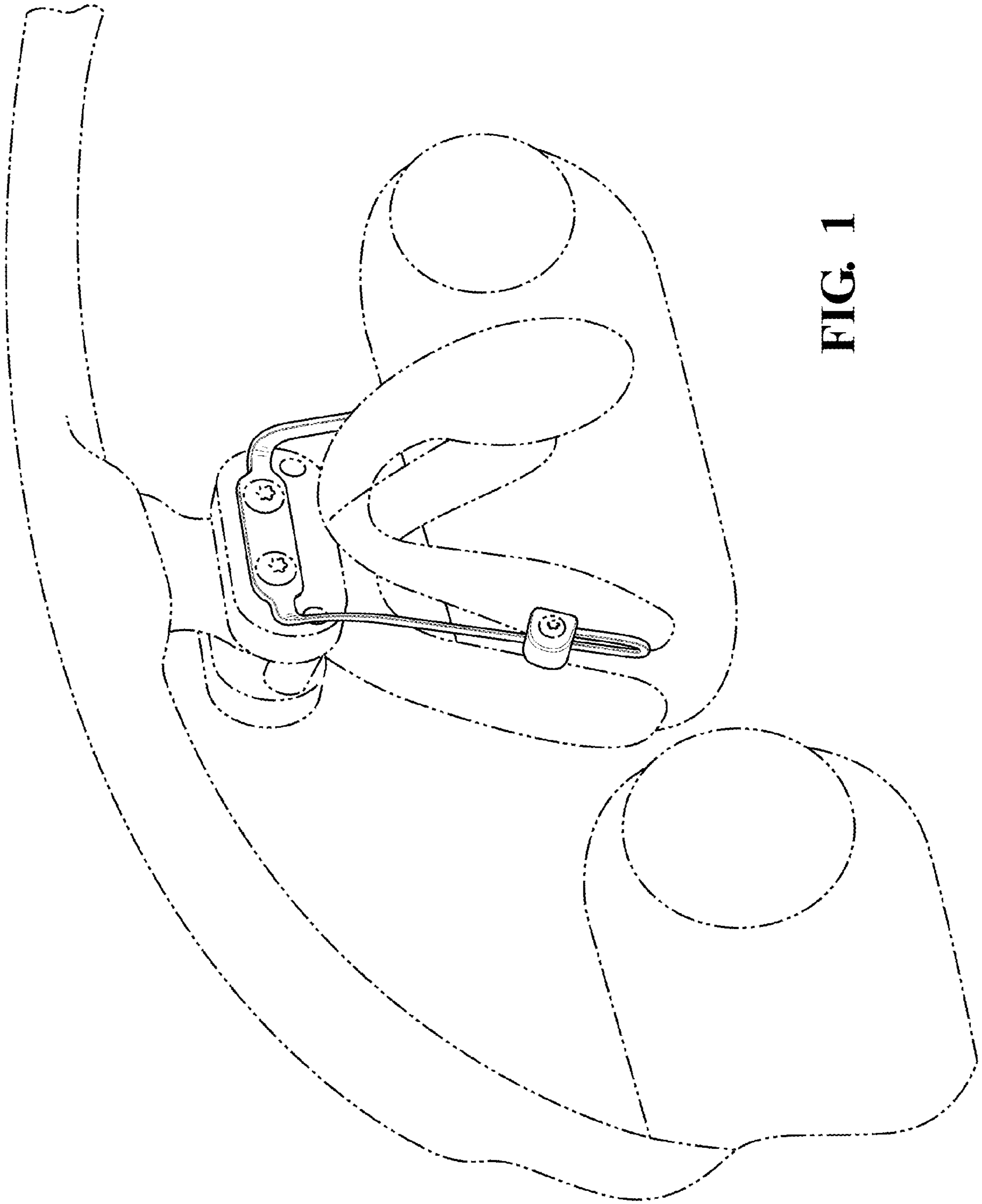
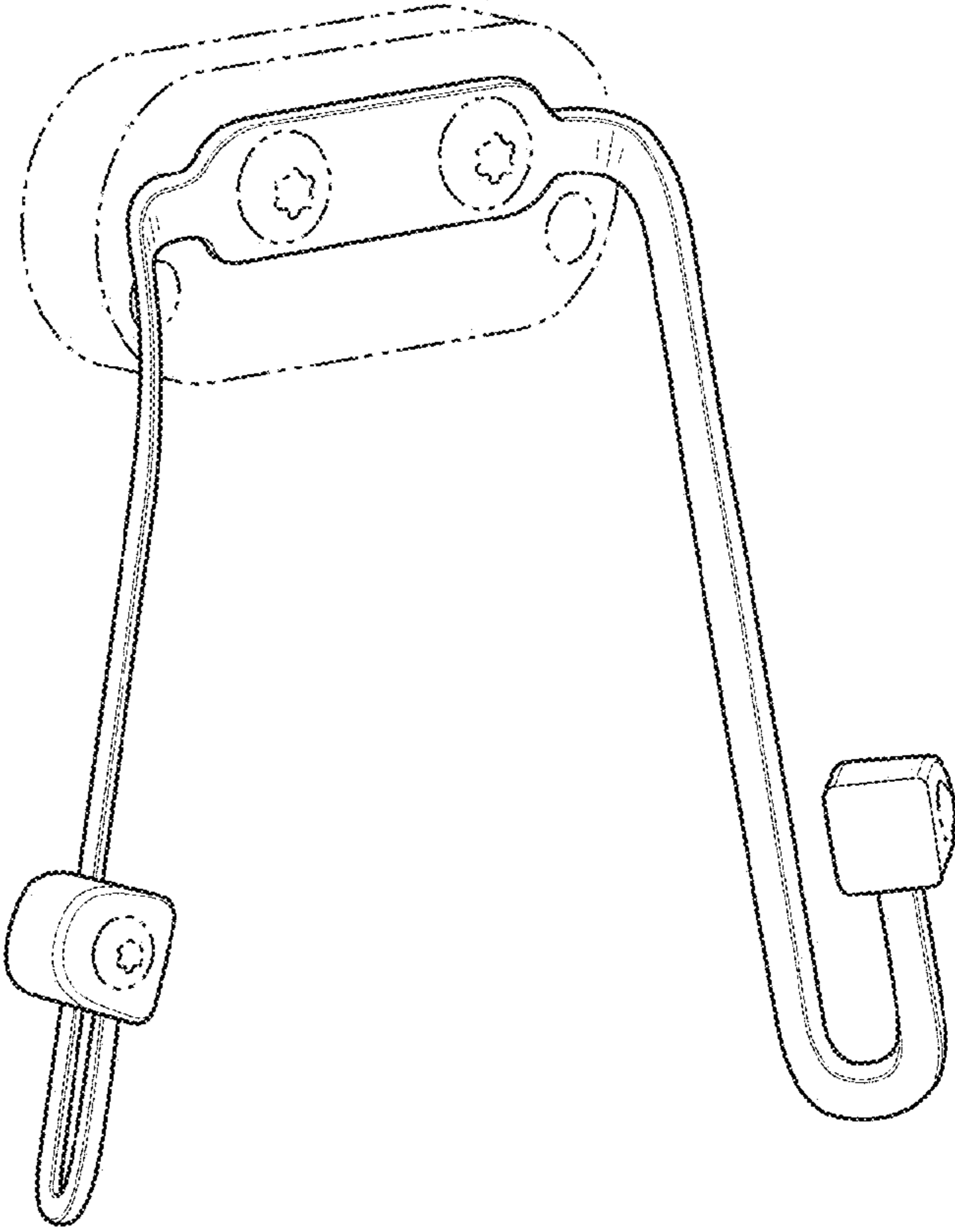
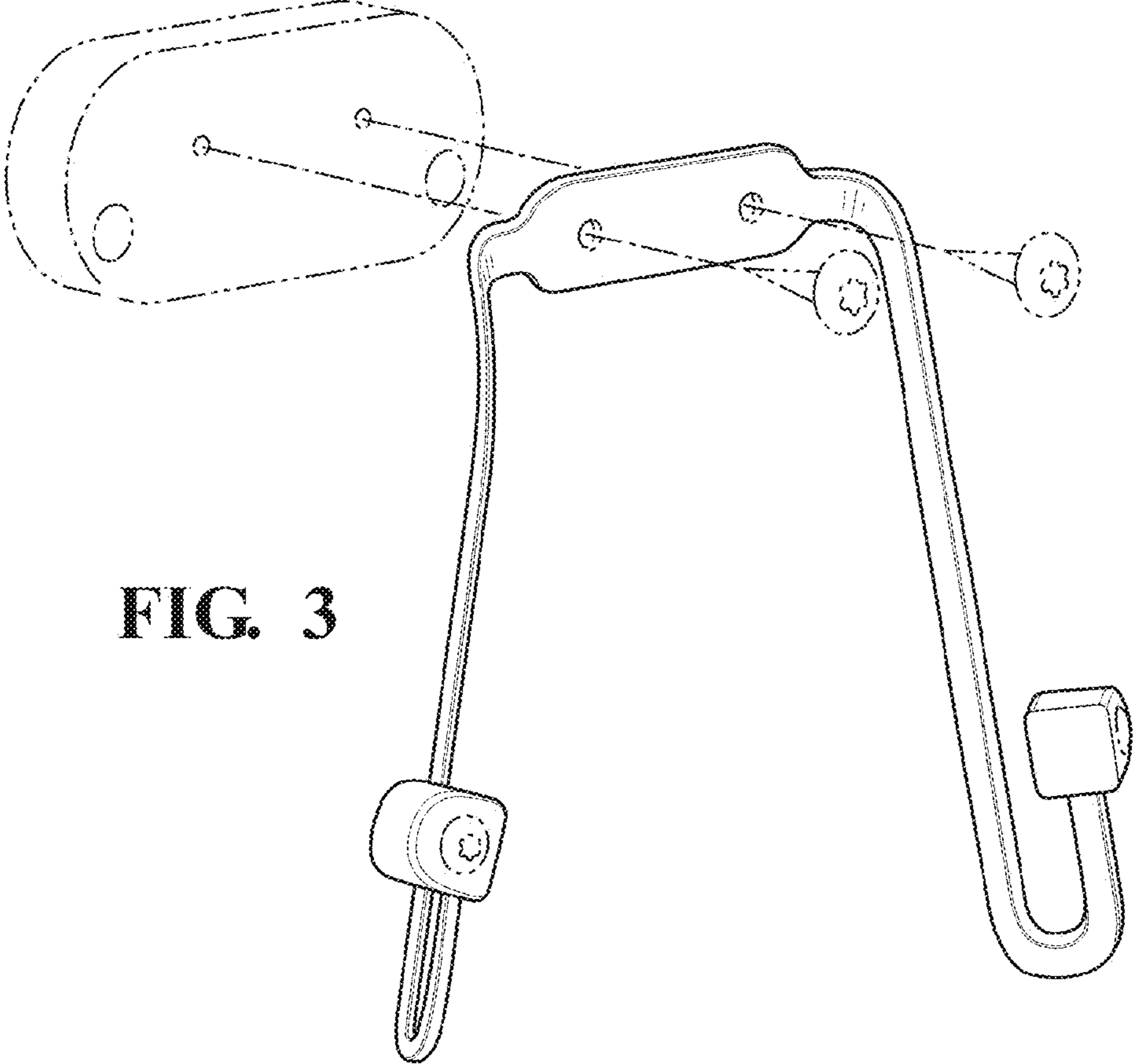


FIG. 1

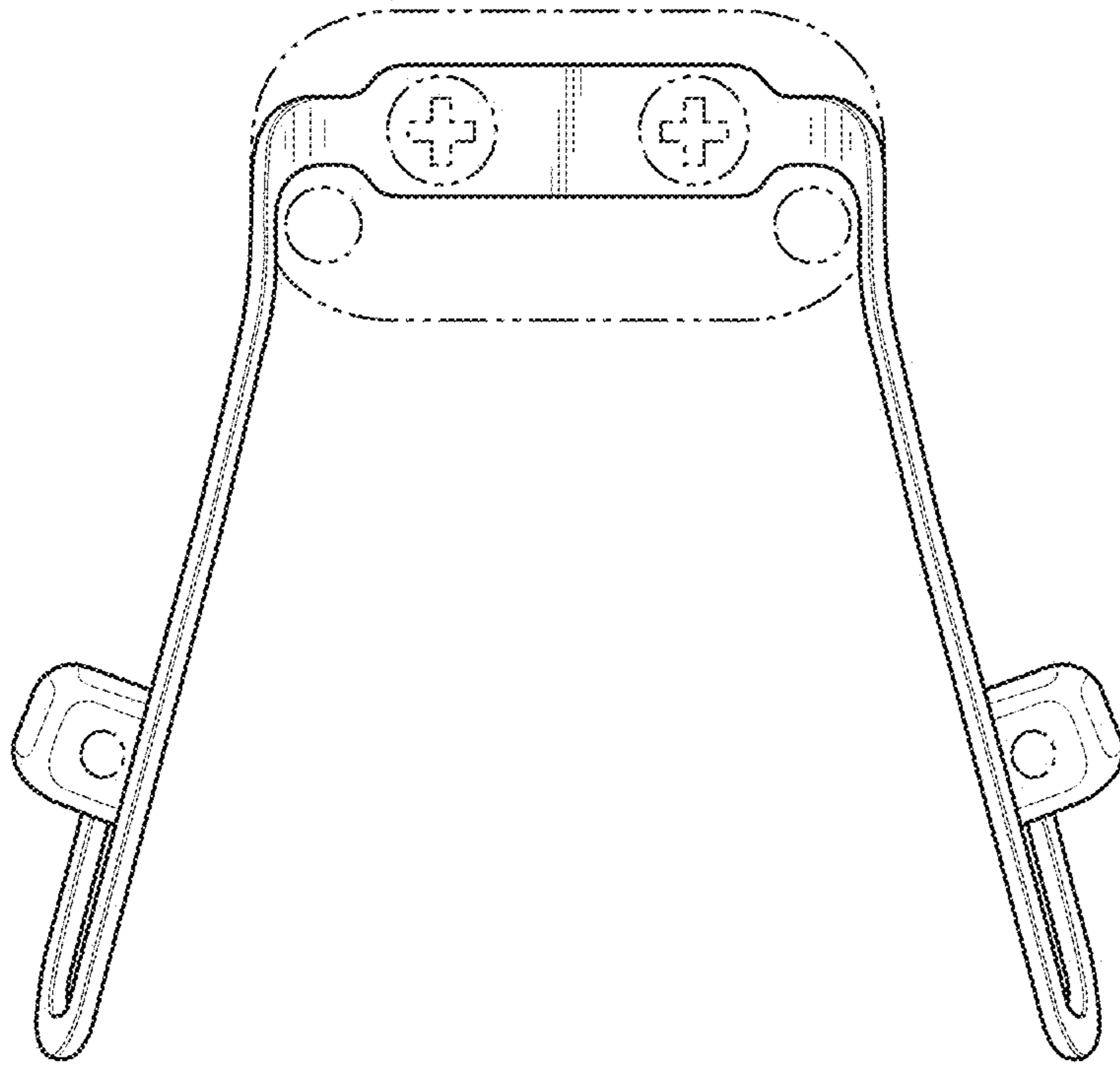
**FIG. 2**



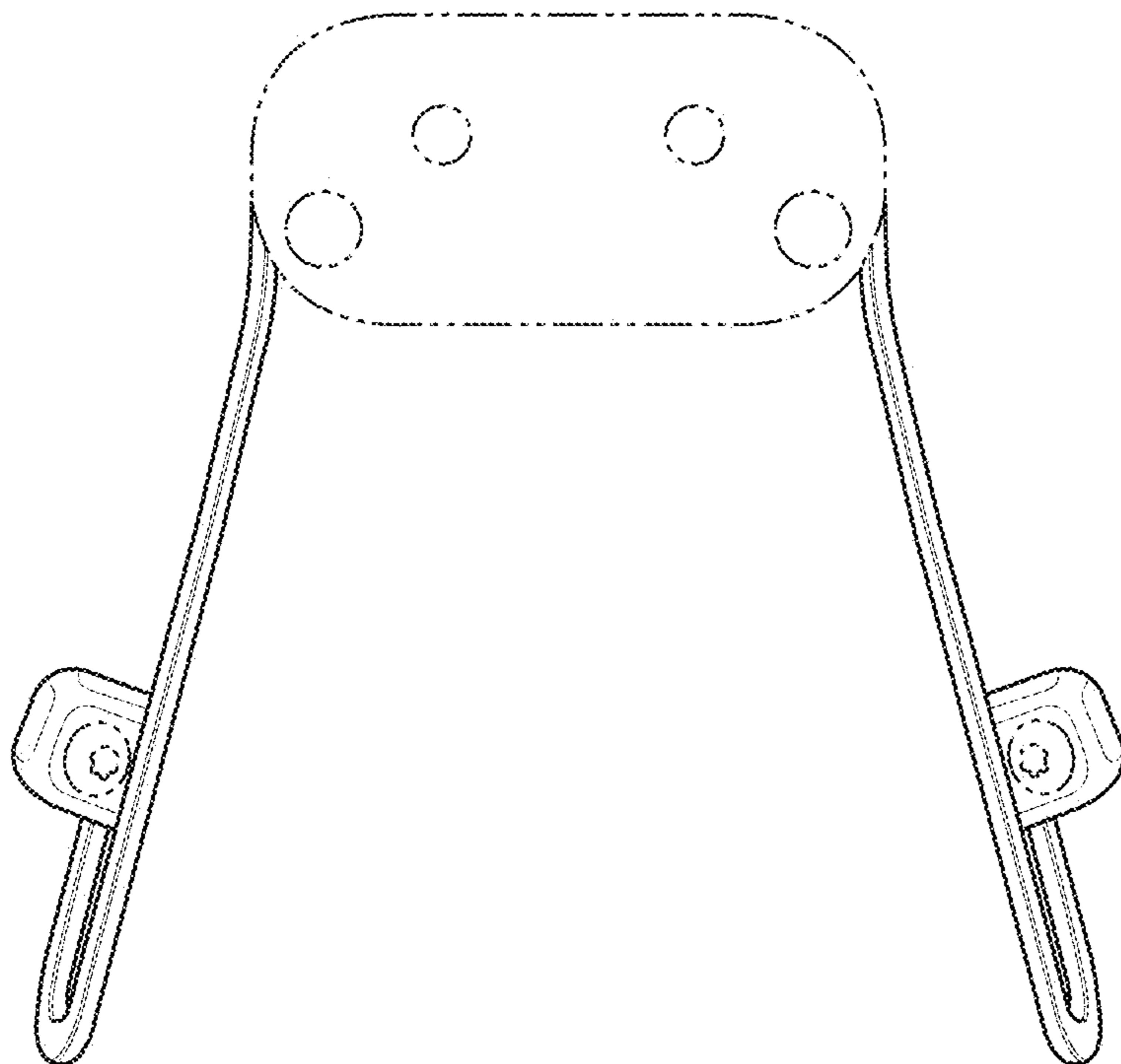
**FIG. 3**







**FIG. 4**



**FIG. 5**

