



US00D908217S

(12) **United States Design Patent** (10) **Patent No.:** **US D908,217 S**
To (45) **Date of Patent:** **** Jan. 19, 2021**

(54) **SONIC TEETH CLEANER BODY**

(71) Applicant: **Vu To**, Orange, CA (US)

(72) Inventor: **Vu To**, Orange, CA (US)

(**) Term: **15 Years**

(21) Appl. No.: **29/697,573**

(22) Filed: **Jul. 9, 2019**

(51) **LOC (13) Cl.** **24-02**

(52) **U.S. Cl.**
USPC **D24/152**

(58) **Field of Classification Search**
USPC D24/152, 176-178, 217, 221; D4/116;
D6/512, 528, 534; D28/73; 433/216
CPC A61C 17/00; A61C 17/0205; A61C 17/02;
A61C 17/228; A61C 19/002; A61C
15/043

See application file for complete search history.

(56) **References Cited**

U.S. PATENT DOCUMENTS

D573,263 S * 7/2008 Pinsky D24/217
D759,817 S * 6/2016 Jodaikin D24/152

D890,350 S * 7/2020 Pai D24/176
2009/0276972 A1* 11/2009 Dugan A61C 17/228
15/167.2
2019/0216583 A1* 7/2019 Zhuo A61C 17/228

* cited by examiner

Primary Examiner — Wan Laymon

(74) *Attorney, Agent, or Firm* — Meador & Engle; Alan Engle

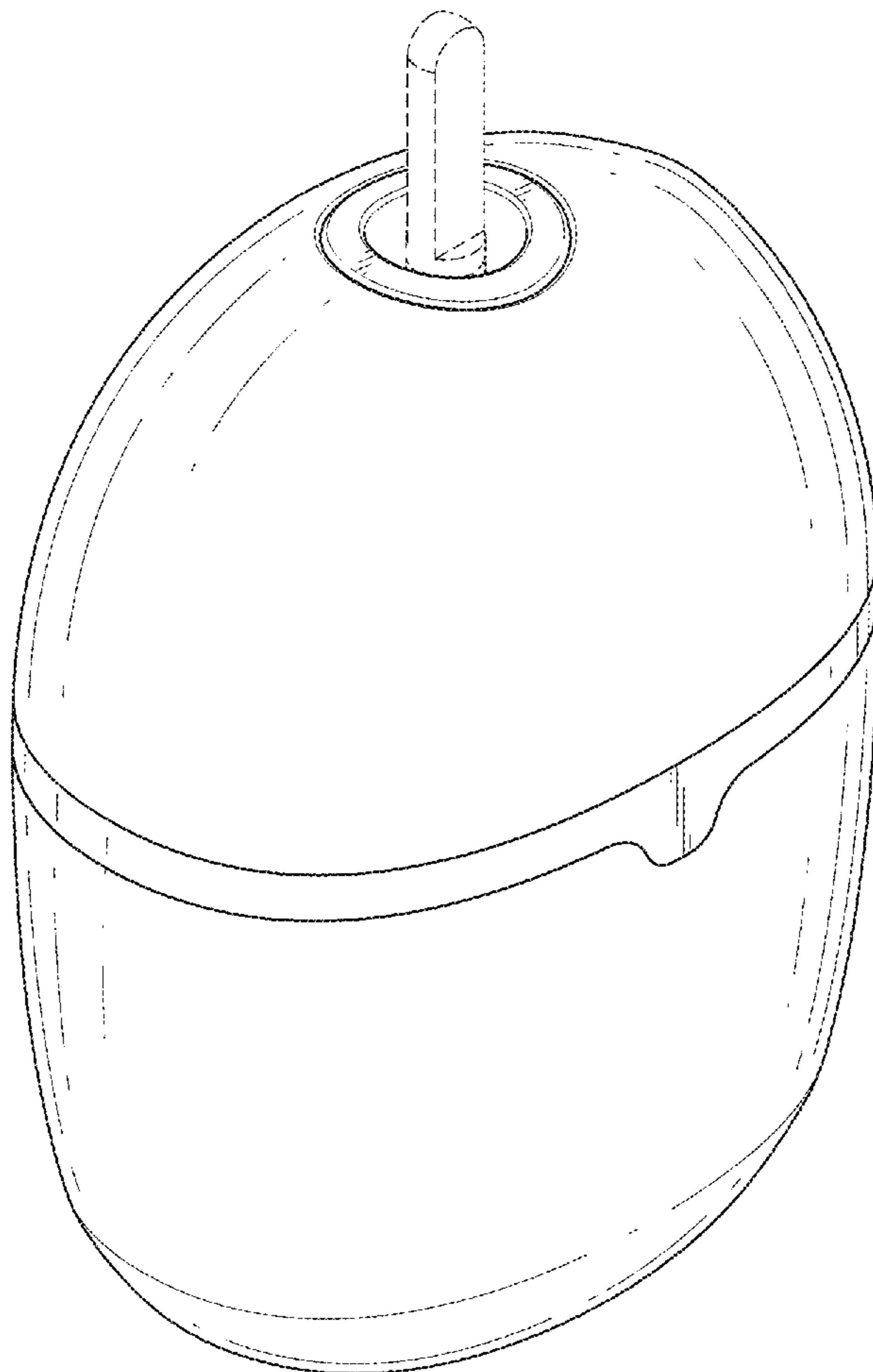
(57) **CLAIM**

The ornamental design for a sonic teeth cleaner body, as shown and described.

DESCRIPTION

FIG. 1 is a top front perspective view of a sonic teeth cleaner body;
FIG. 2 is a front view of the design;
FIG. 3 is a rear view of the design;
FIG. 4 is a side view of the design;
FIG. 5 is a side view of the design;
FIG. 6 is a top view of the design; and,
FIG. 7. is a bottom view of the design.
In the drawings, the broken lines depict environmental subject matter only and form no part of the claimed design.

1 Claim, 6 Drawing Sheets



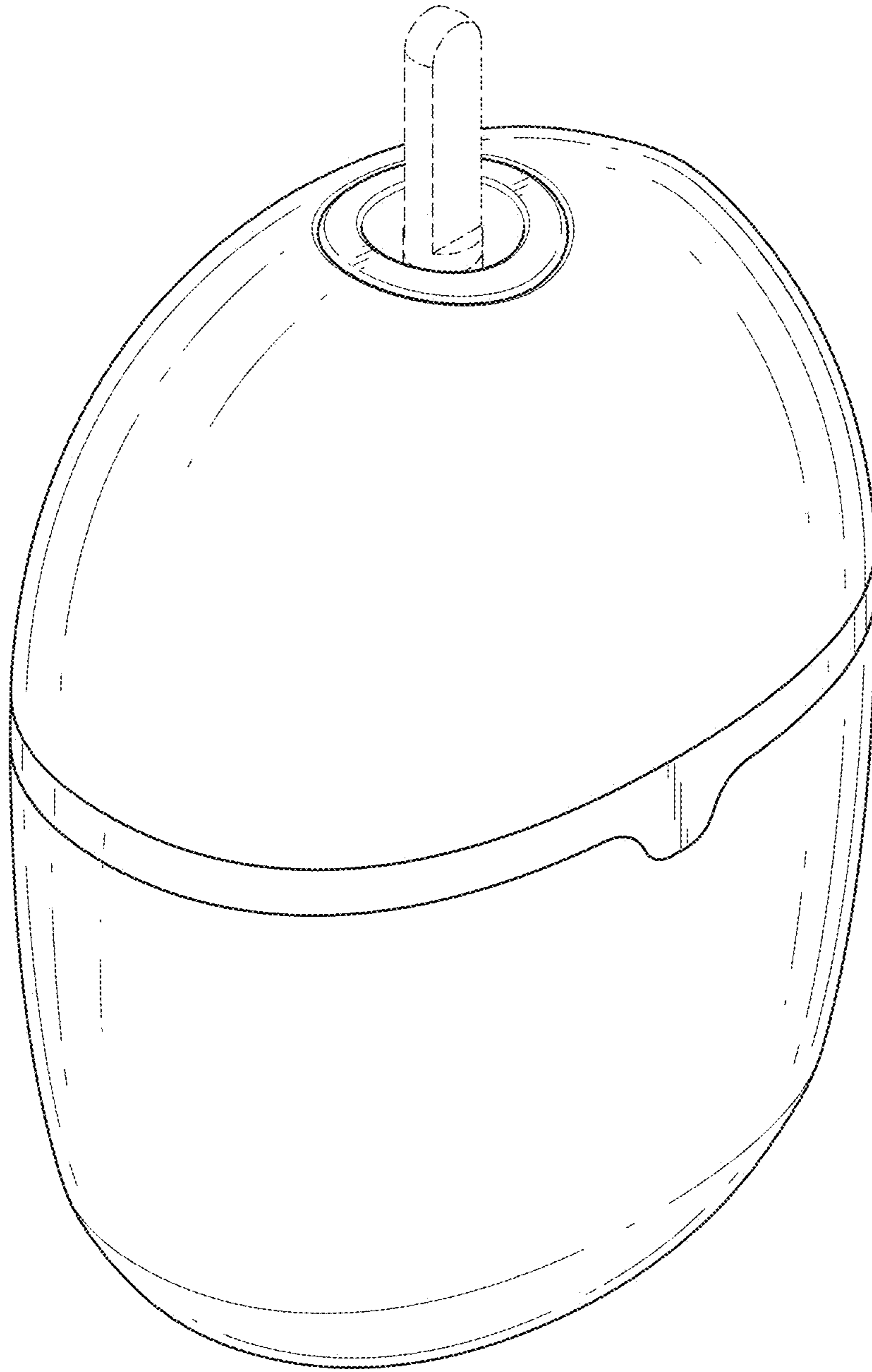


FIG. 1

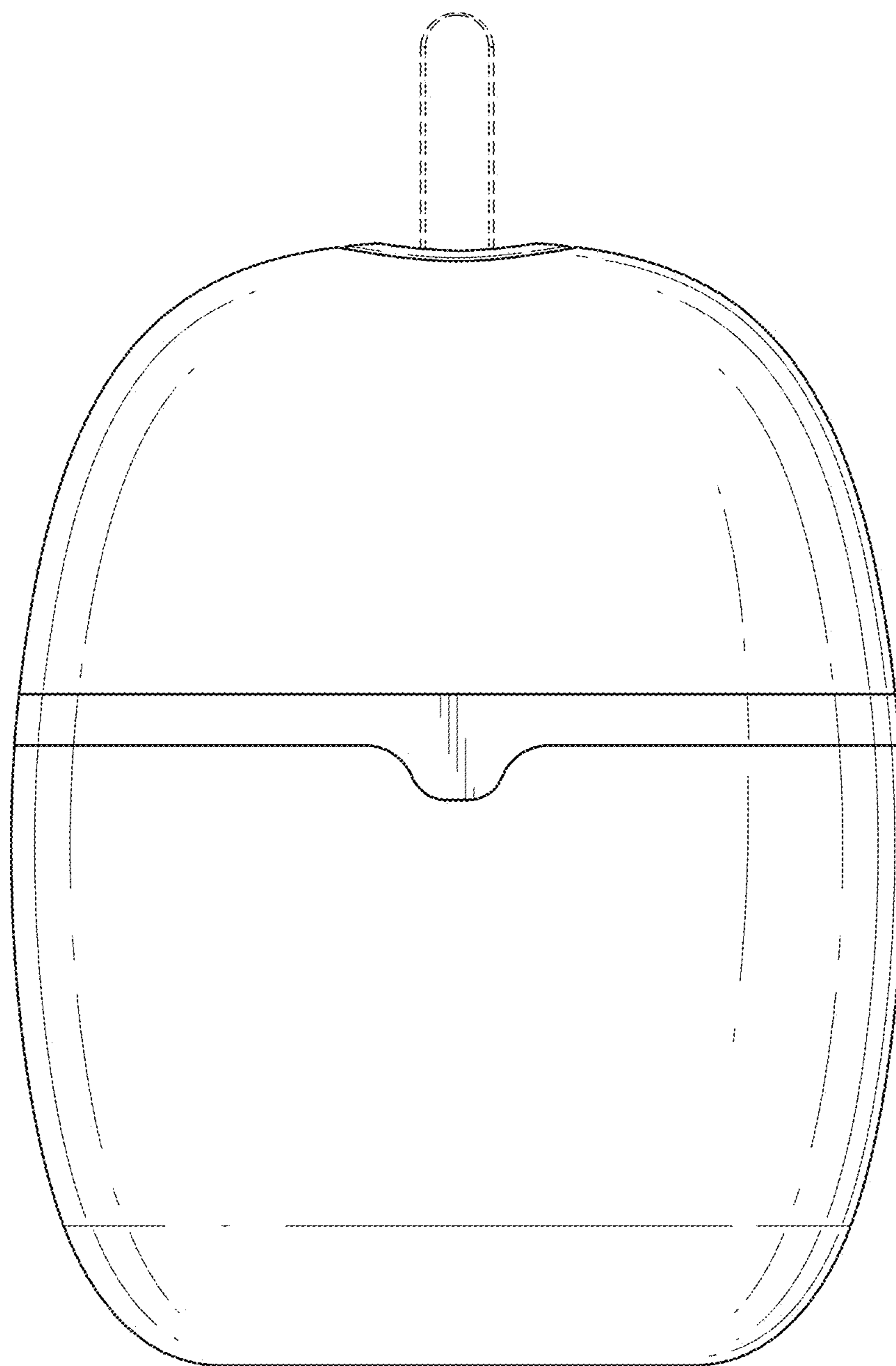


FIG. 2

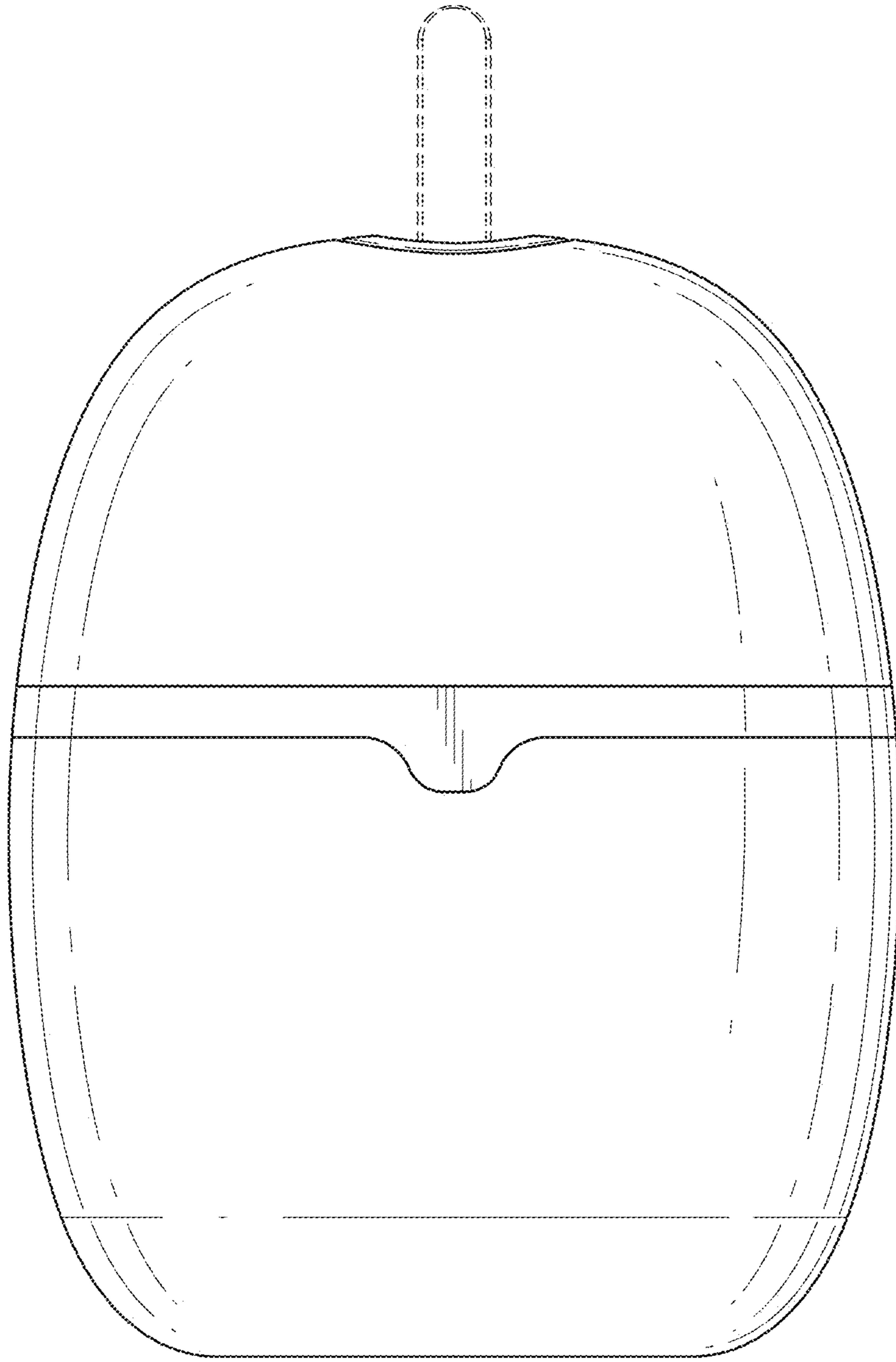


FIG. 3

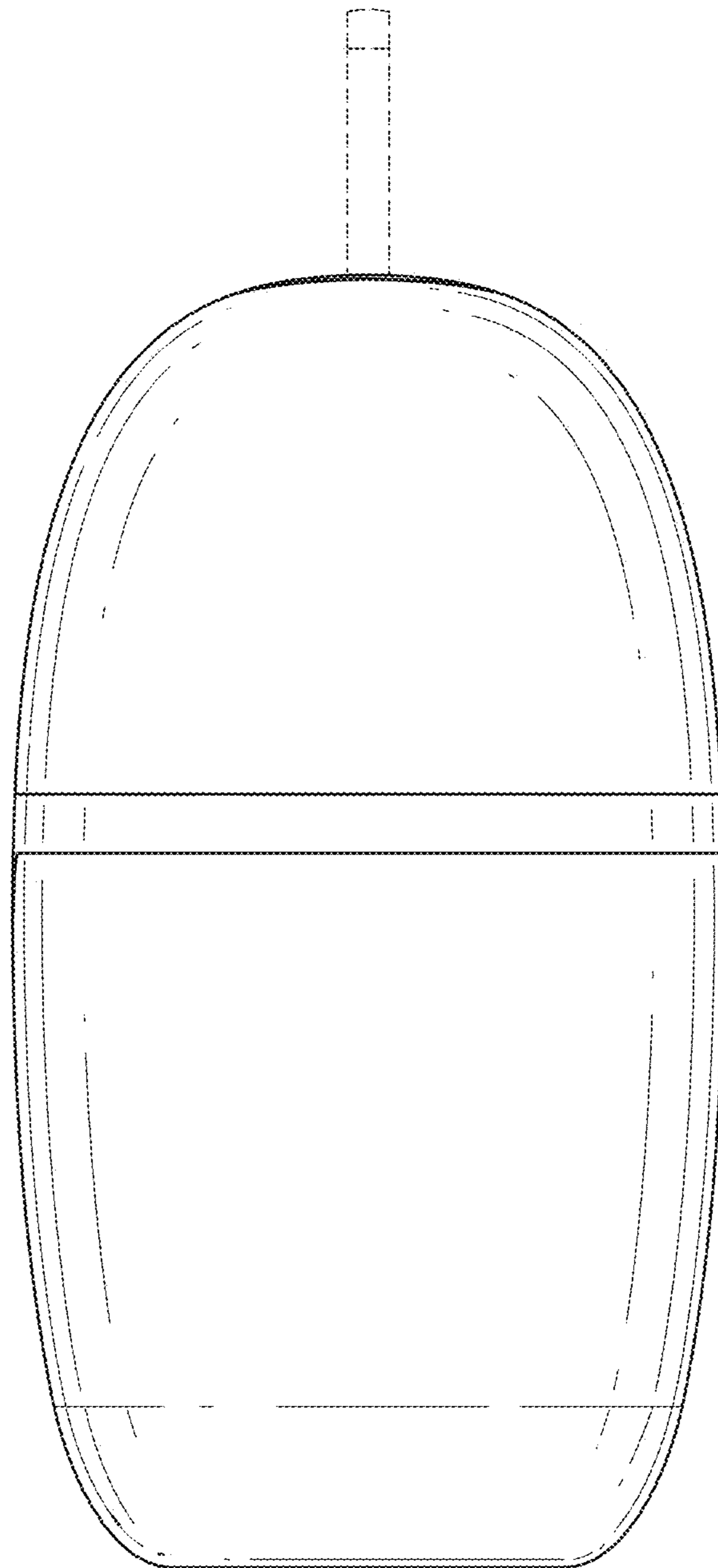


FIG. 4

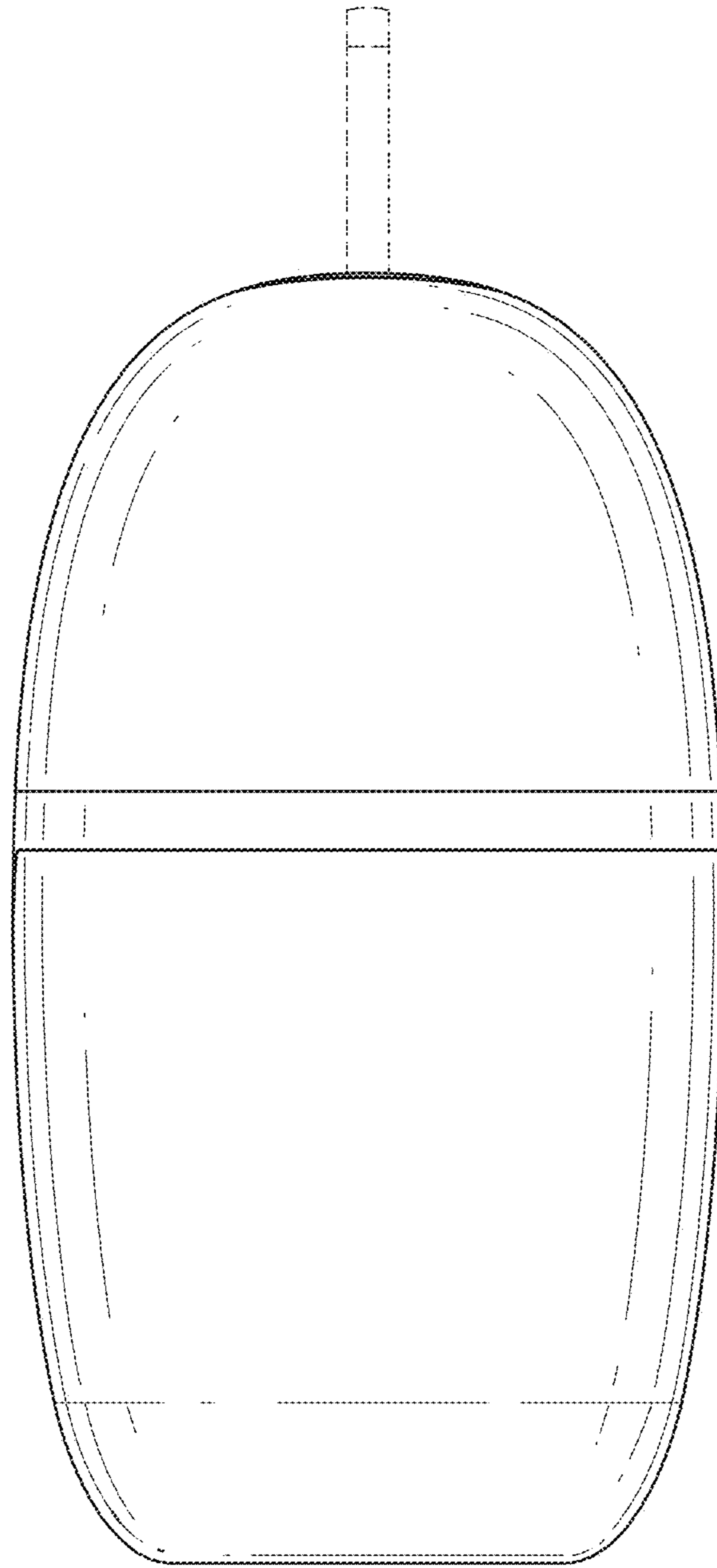


FIG. 5

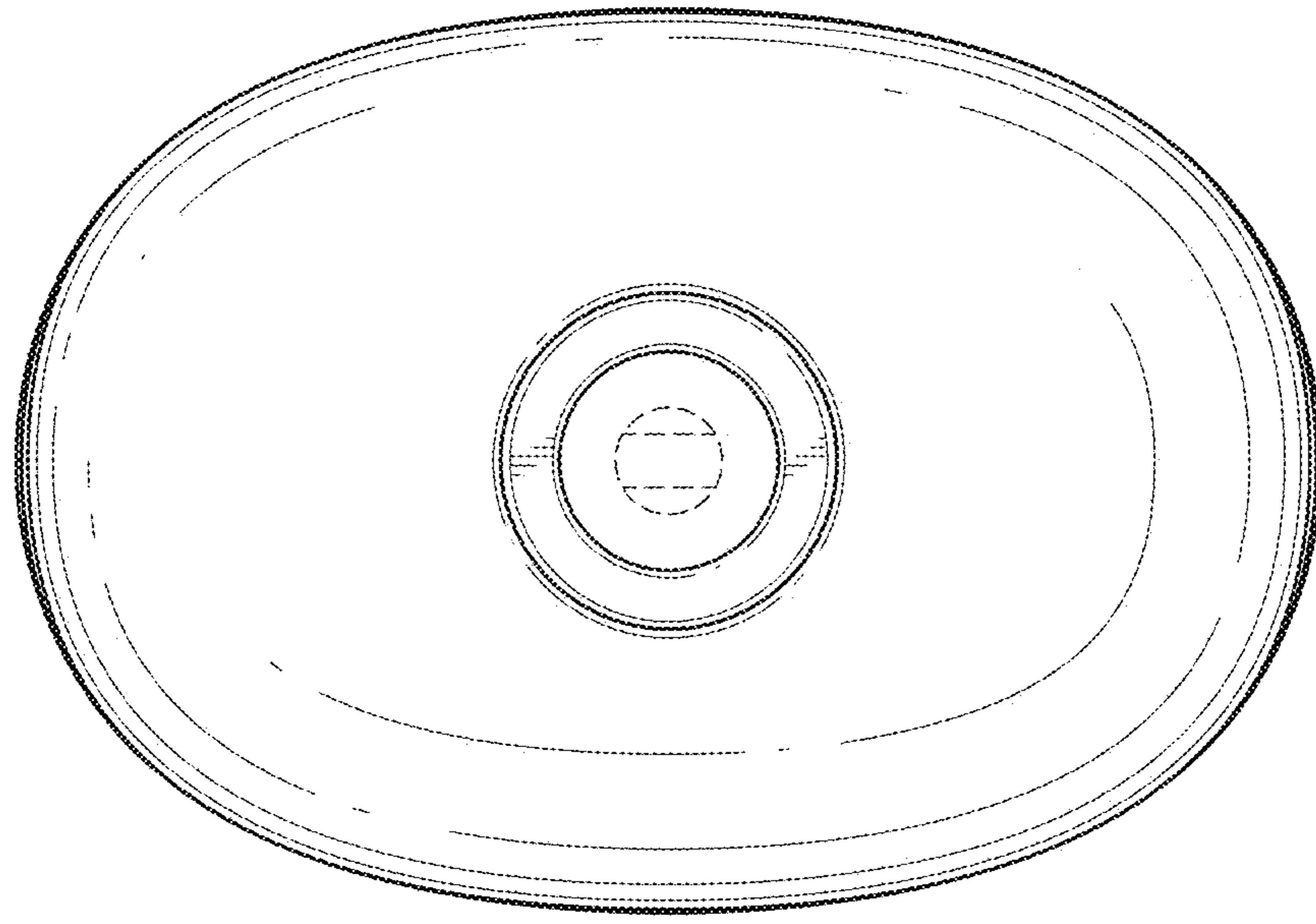


FIG. 6

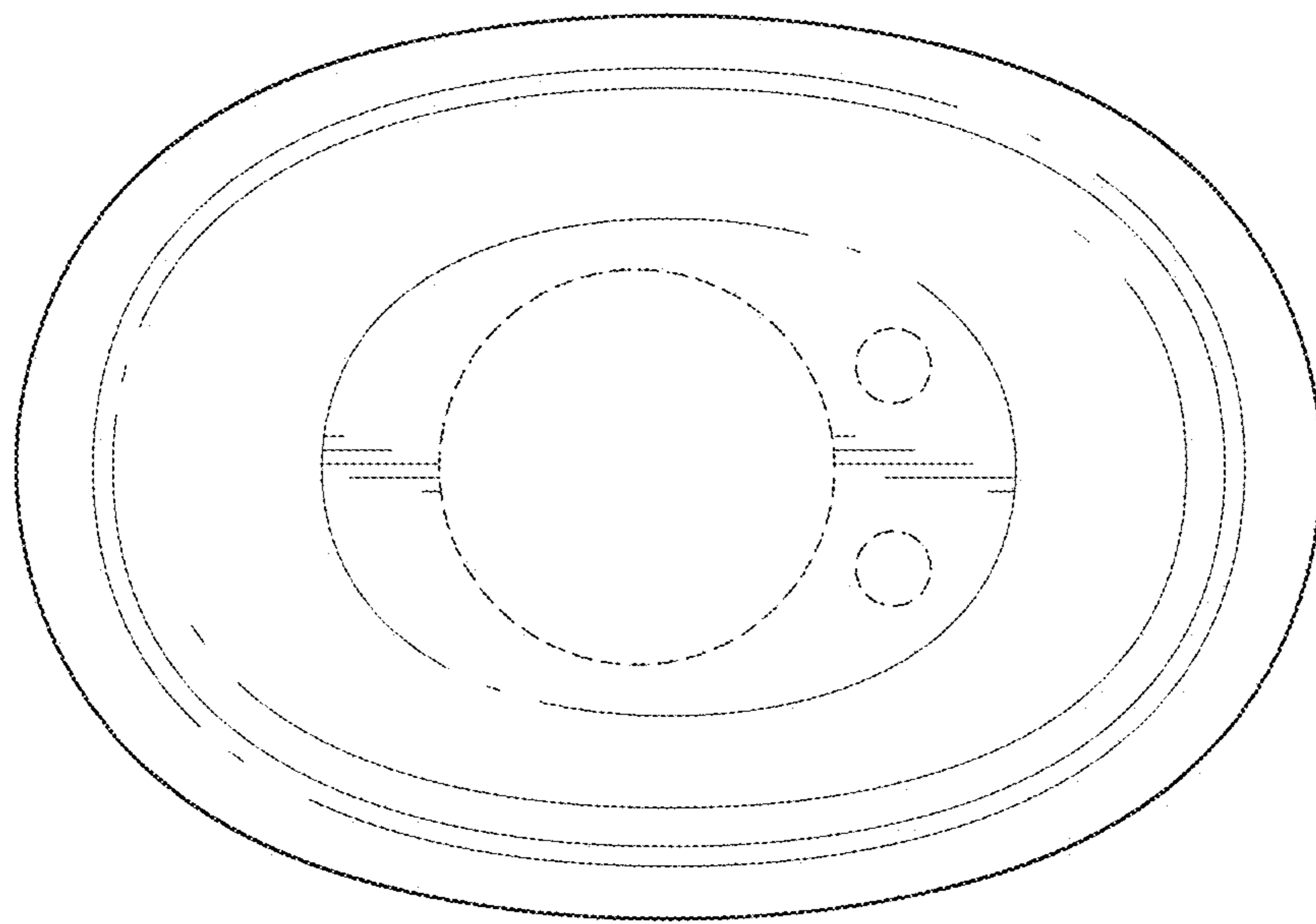


FIG. 7