



US00D908215S

(12) **United States Design Patent** (10) **Patent No.:** **US D908,215 S**
Connolly et al. (45) **Date of Patent:** **** Jan. 19, 2021**

(54) **CARDIOLOGY STETHOSCOPE HANDLE**
(71) Applicant: **THE REGENTS OF THE UNIVERSITY OF MICHIGAN**, Ann Arbor, MI (US)
(72) Inventors: **Christopher David Connolly**, Chicago, IL (US); **Seong Hee Yoon**, Ann Arbor, MI (US)
(73) Assignee: **THE REGENTS OF THE UNIVERSITY OF MICHIGAN**, Ann Arbor, MI (US)

Primary Examiner — Eliza Z Bennett-Hattan
(74) *Attorney, Agent, or Firm* — Marshall, Gerstein & Borun LLP

(57) **CLAIM**

The ornamental design for a cardiology stethoscope handle, as shown and described.

(**) Term: **15 Years**
(21) Appl. No.: **29/652,006**
(22) Filed: **Jul. 18, 2018**
(51) **LOC (13) Cl.** **24-02**
(52) **U.S. Cl.**
USPC **D24/134**
(58) **Field of Classification Search**
USPC D24/134
CPC A45F 5/02; A61B 7/02
See application file for complete search history.

DESCRIPTION

FIG. 1 is a front perspective view of a cardiology stethoscope handle of the present invention; FIG. 2 is a front view of the invention illustrated in FIG. 1; FIG. 3 is a rear view of the invention illustrated in FIG. 1; FIG. 4 is a right side view of the invention illustrated in FIG. 1; FIG. 5 is a left side view of the invention illustrated in FIG. 1; FIG. 6 is a top view of the invention illustrated in FIG. 1; FIG. 7 is a bottom view of the invention illustrated in FIG. 1; FIG. 8 is an exploded perspective view of the invention illustrated in FIG. 1; FIG. 9 is a perspective view illustrating the cardiology stethoscope handle in combination with a stethoscope (in broken lines), illustrating the article in use; FIG. 10 is a right side view similar to FIG. 4, but illustrating an articulating portion of the cardiology stethoscope handle moved from a first position to a second position; and, FIG. 11 is a right side view similar to FIG. 4, but illustrating an articulating portion of the cardiology stethoscope handle moved from a first position to a third position. The broken lines in the drawings illustrate environment, and form no part of the claimed design. The dot-dashed lines form no part of the claimed design.

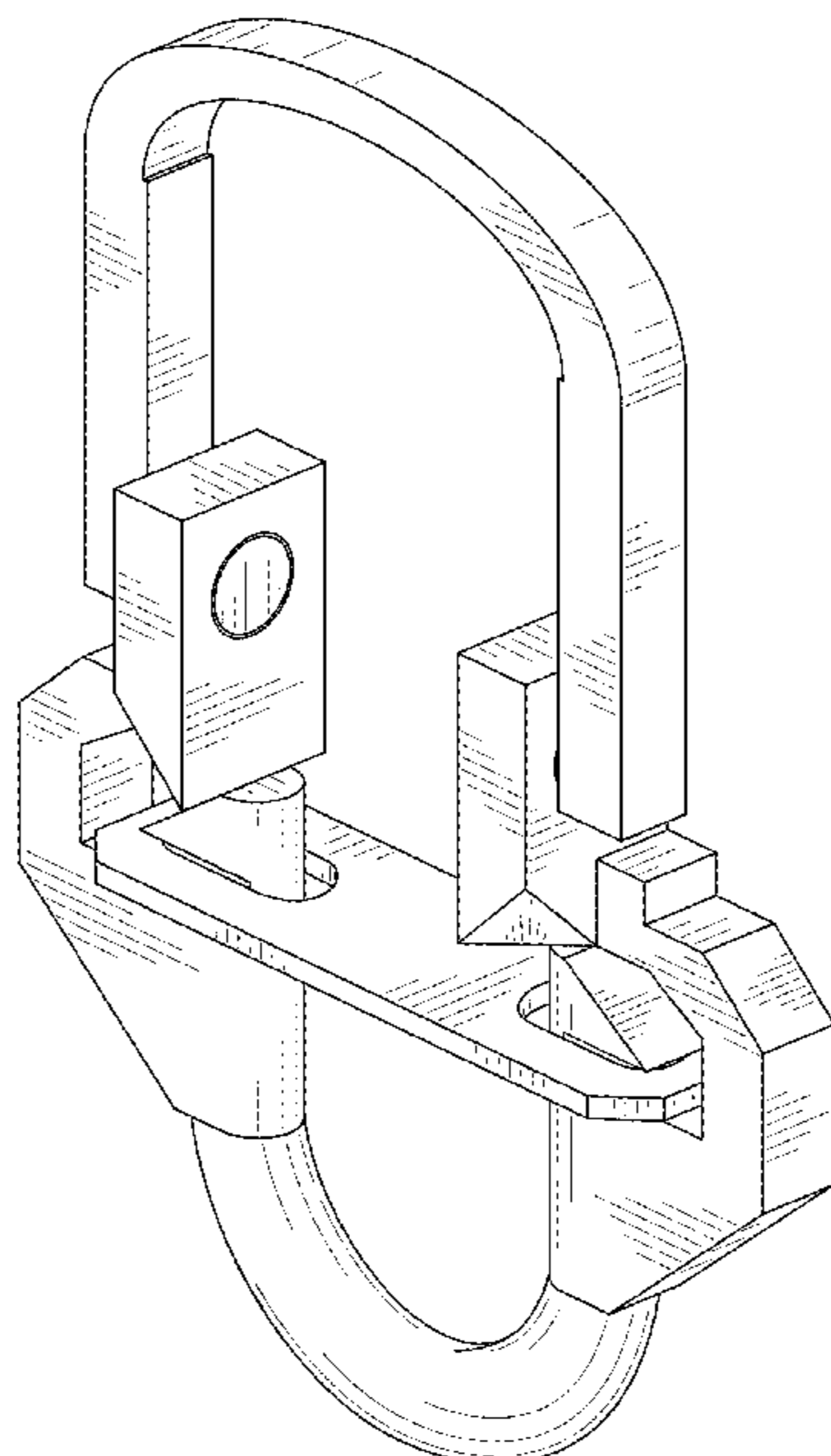
(56) **References Cited**

U.S. PATENT DOCUMENTS

D229,514 S	*	12/1973	Einhorn	D24/134
D230,094 S	*	1/1974	Hauser	D24/134
D597,234 S	*	7/2009	Chue	D24/134
D614,300 S	*	4/2010	Baker	D24/134
D855,801 S	*	8/2019	Connolly	D24/134
D873,415 S	*	1/2020	Zhou	D24/167
2019/0247008 A1	*	8/2019	Darwish	A45F 5/021
2019/0385484 A1	*	12/2019	Gutierrez Morales	G09B 23/28

* cited by examiner

1 Claim, 9 Drawing Sheets



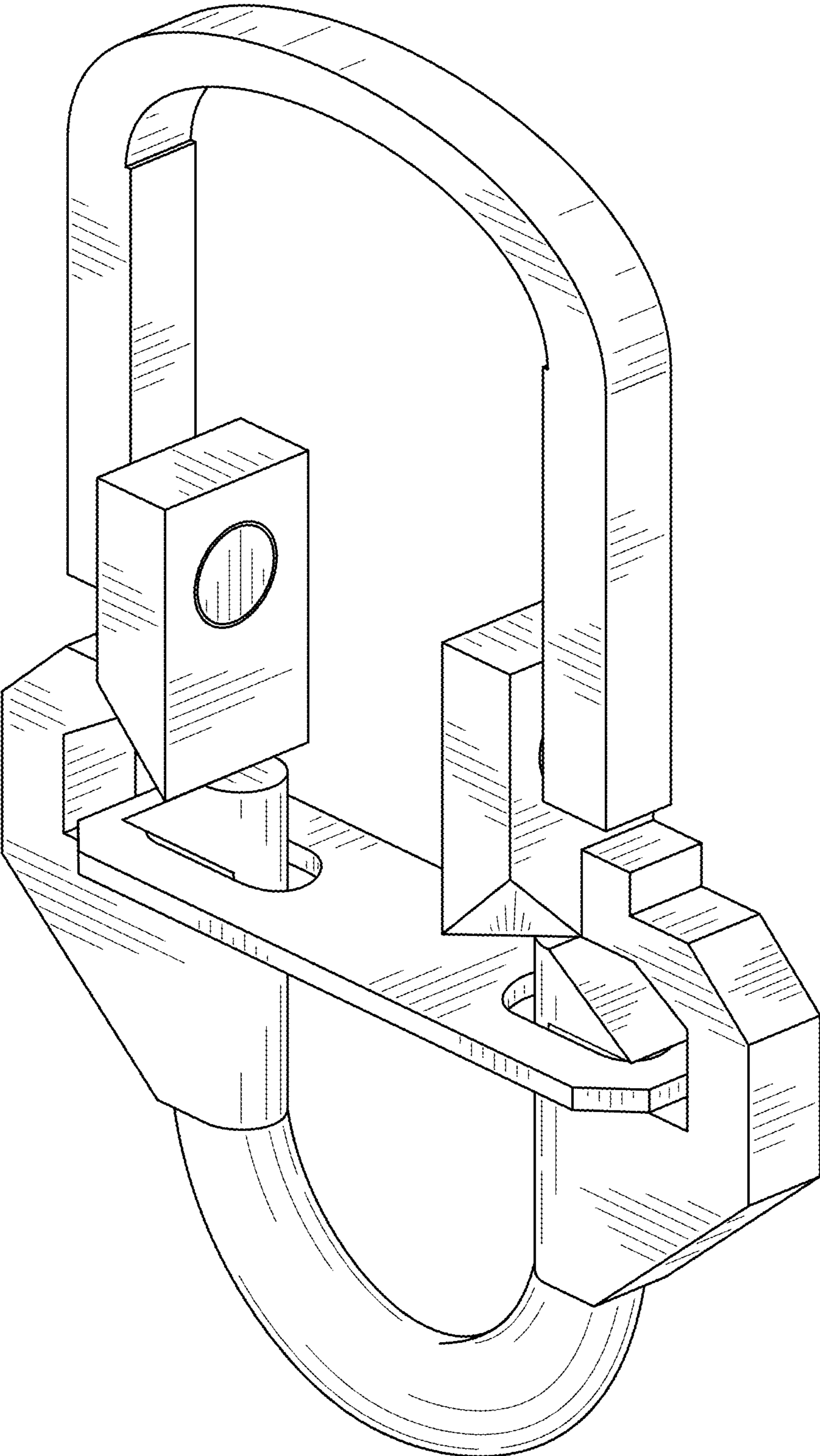


FIG. 1

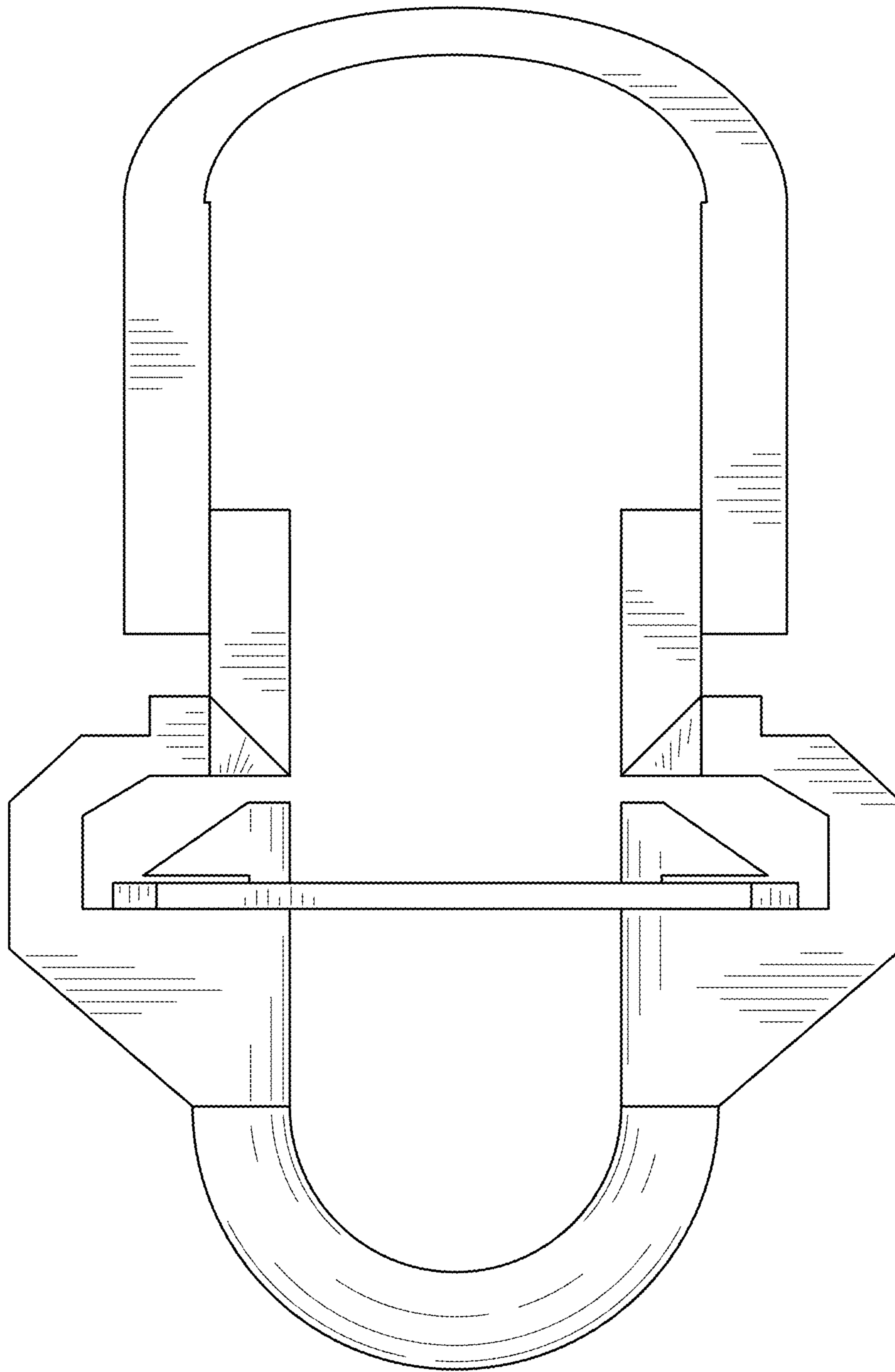


FIG. 2

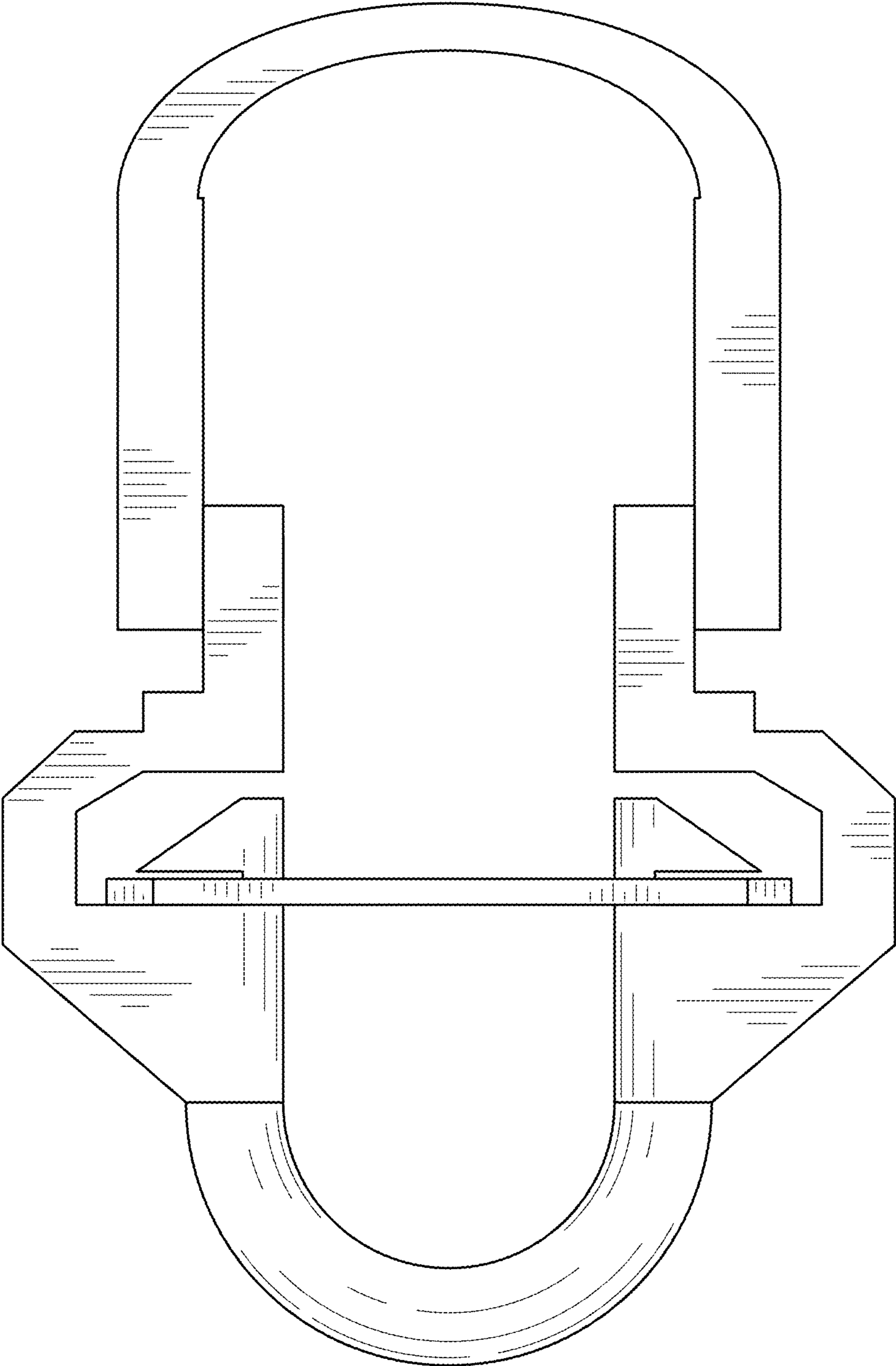


FIG. 3

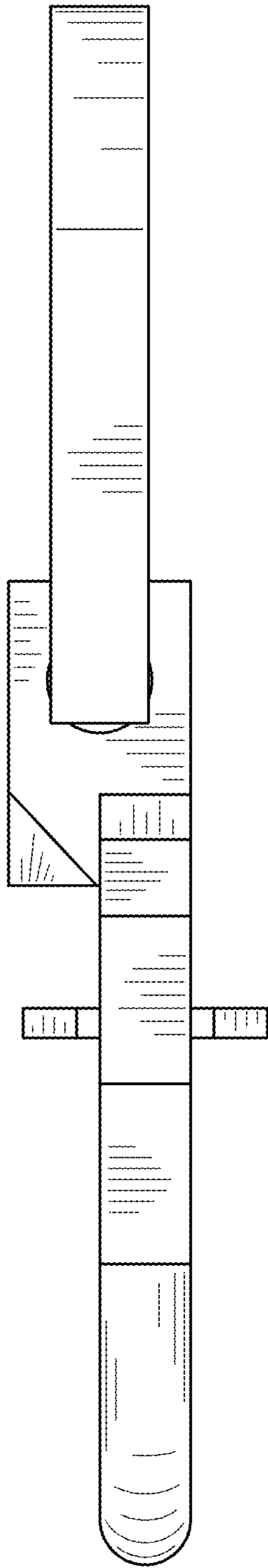


FIG. 4

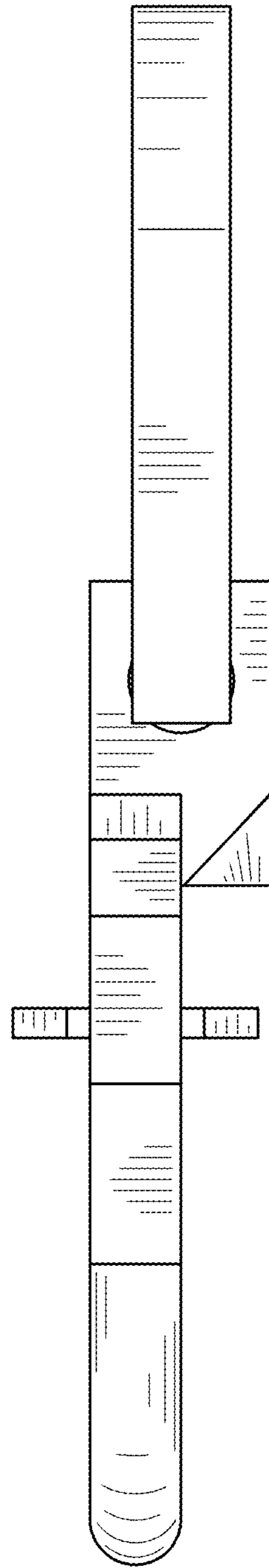


FIG. 5

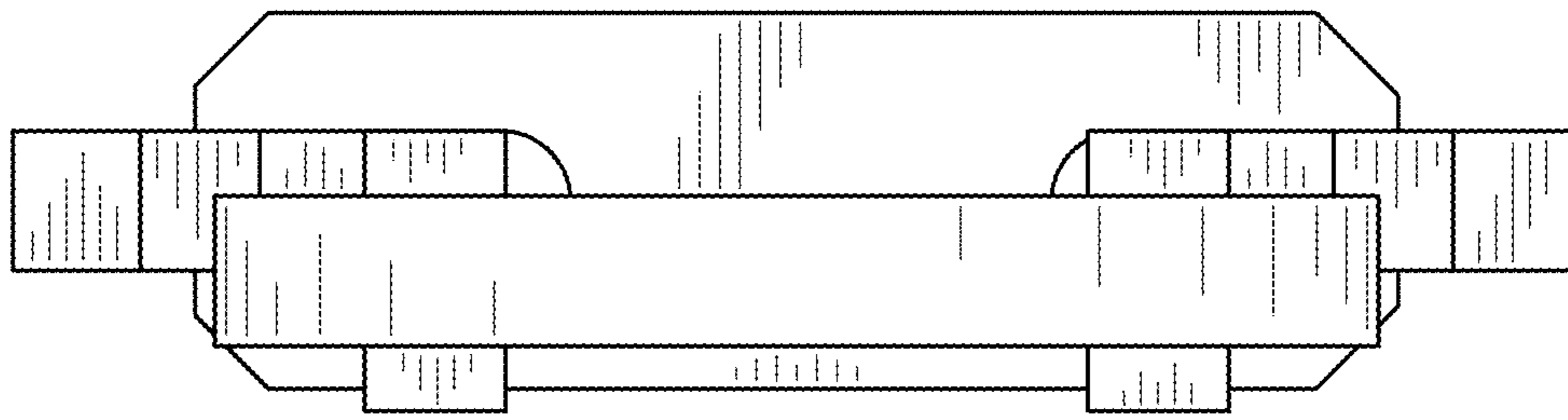


FIG. 6

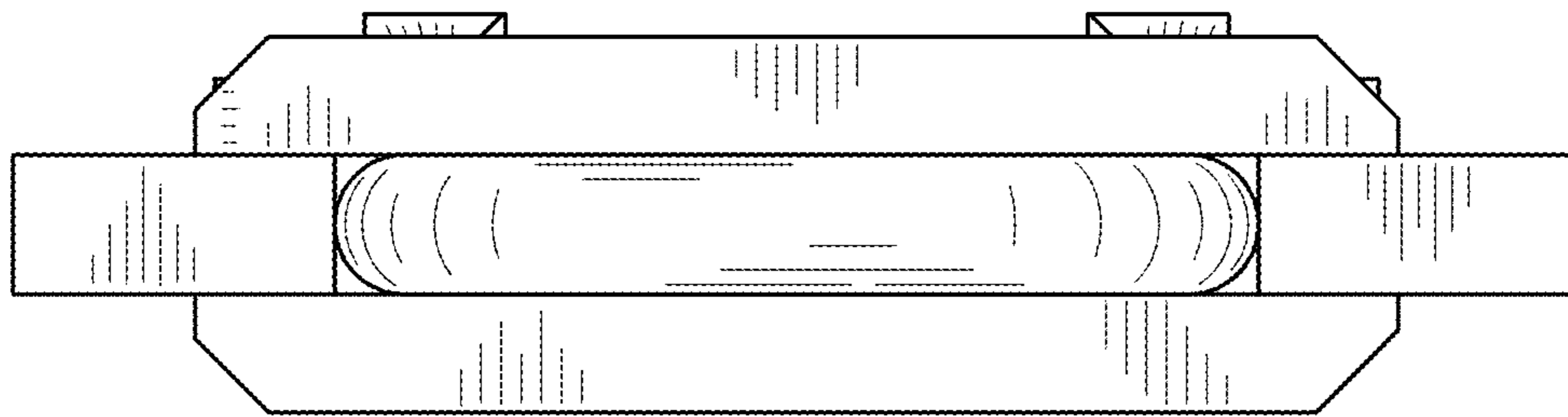


FIG. 7

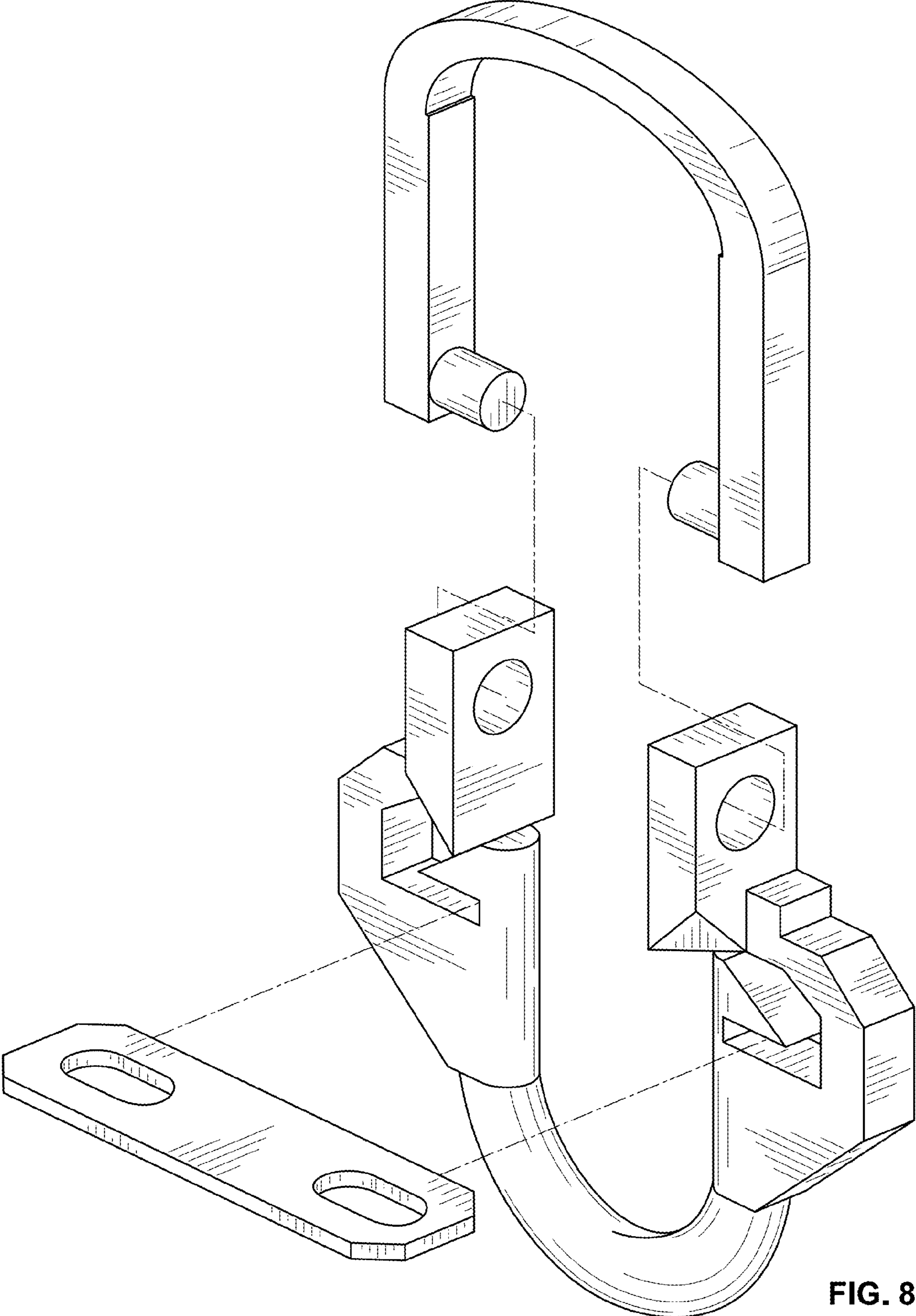


FIG. 8

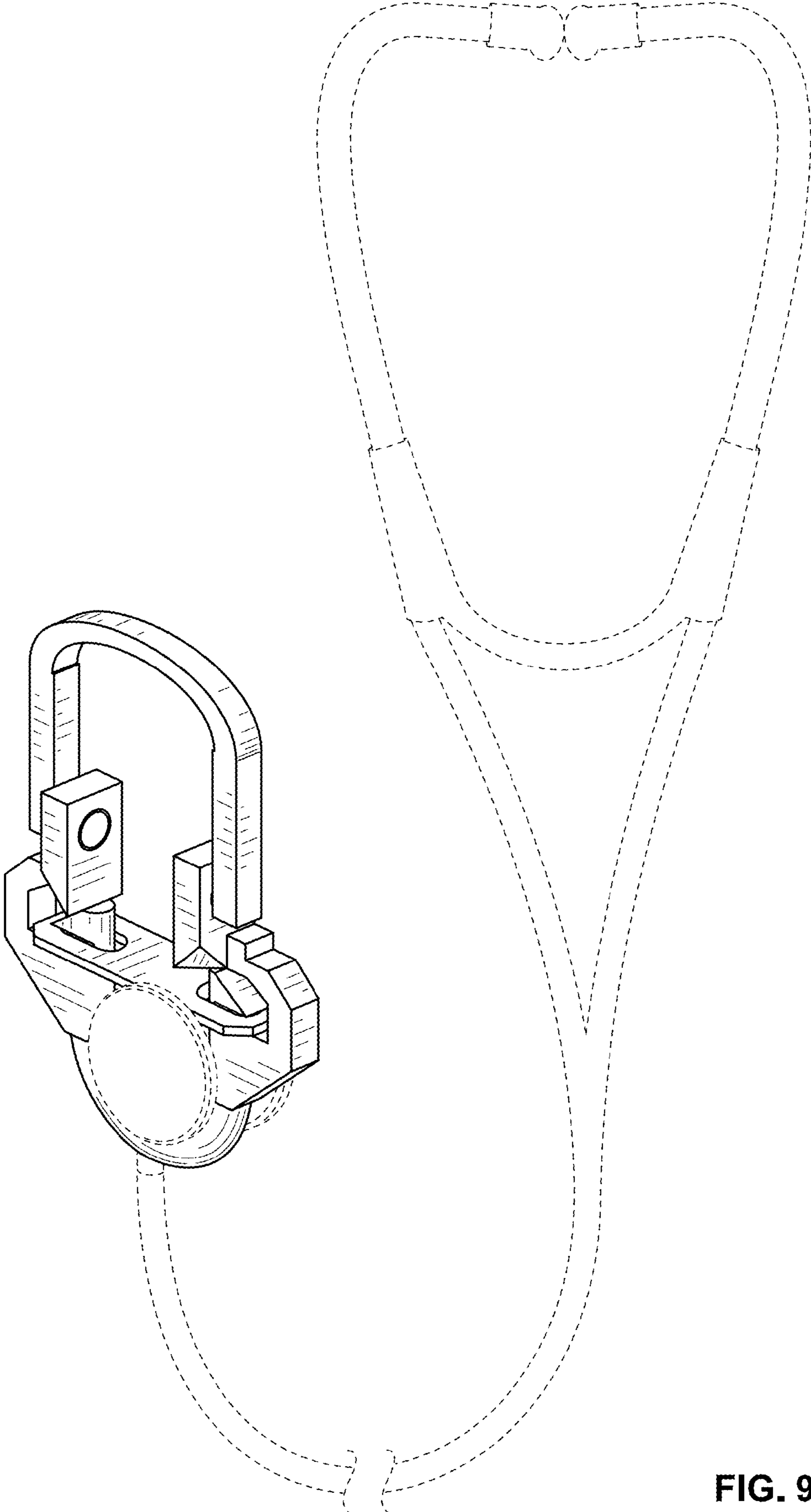


FIG. 9

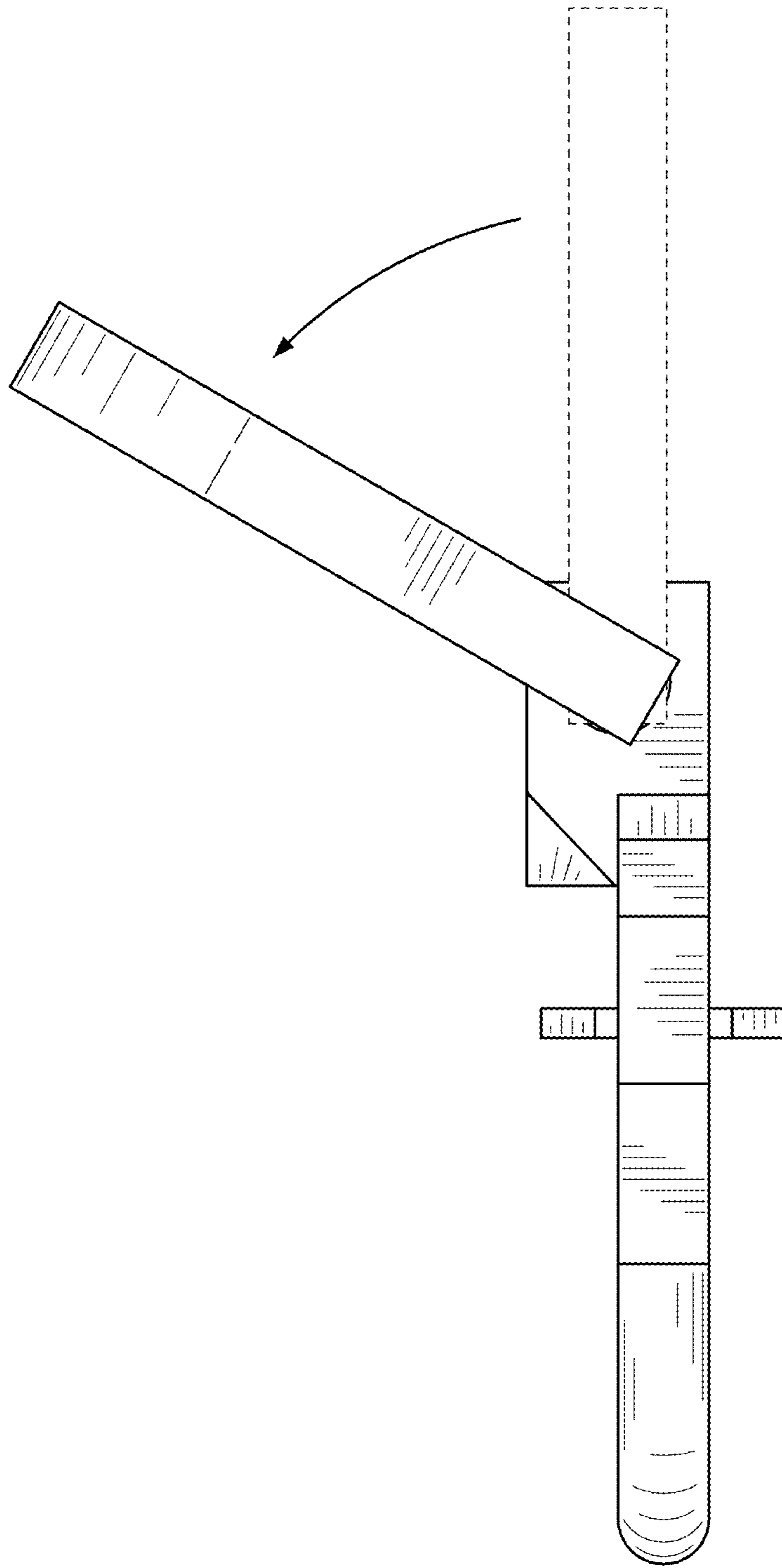


FIG. 10

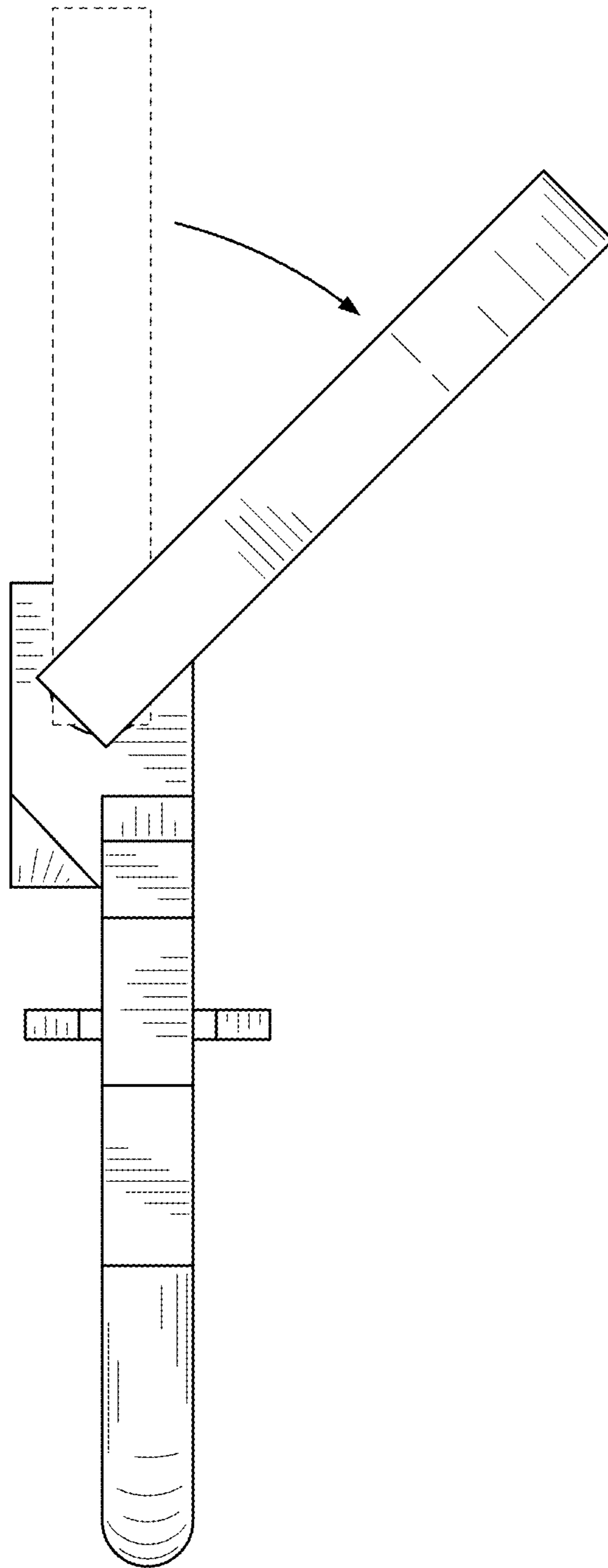


FIG. 11