



US00D908213S

(12) **United States Design Patent** (10) **Patent No.:** **US D908,213 S**  
**Abdul-Hafiz et al.** (45) **Date of Patent:** **\*\* Jan. 19, 2021**

(54) **WINGNUT FOR A FLOW ALARM DEVICE**

(71) Applicant: **MASIMO CORPORATION**, Irvine, CA (US)

(72) Inventors: **Yassir Kamel Abdul-Hafiz**, Irvine, CA (US); **Virginia Thanh Ta**, Santa Ana, CA (US); **Chad A. DeJong**, Los Angeles, CA (US)

(73) Assignee: **Masimo Corporation**, Irvine, CA (US)

(\*\*) Term: **15 Years**

(21) Appl. No.: **29/733,430**

(22) Filed: **May 1, 2020**

**Related U.S. Application Data**

(62) Division of application No. 29/662,908, filed on Sep. 10, 2018, now Pat. No. Des. 887,548.

(51) **LOC (13) Cl.** ..... **24-02**

(52) **U.S. Cl.**  
USPC ..... **D24/129**

(58) **Field of Classification Search**  
USPC ..... D24/127-131, 112-114, 133, 186;  
606/181, 185; 604/264, 523-528, 272,  
604/187, 158, 164.01-164.11, 181, 184,  
604/227; 600/101, 139, 143;  
128/200.24, 207.14, 207.15  
CPC .. G08B 21/02; G01F 15/185; A61M 16/0051;  
A61M 2205/183; A61M 2205/186  
See application file for complete search history.

(56) **References Cited**

**U.S. PATENT DOCUMENTS**

3,297,255 A 1/1967 Fortman  
3,595,228 A 7/1971 Simon et al.  
4,067,329 A 1/1978 Winicki  
4,316,182 A 2/1982 Hodgson

D279,407 S \* 6/1985 Hubbard ..... D24/129  
4,669,415 A 6/1987 Boord  
5,626,129 A 5/1997 Klimm et al.  
5,836,302 A 11/1998 Homuth et al.  
6,386,196 B1 5/2002 Culton  
D459,669 S 7/2002 Bowlds  
D469,865 S 2/2003 Bar-Or  
6,517,517 B1 2/2003 Farrugia et al.  
D478,662 S 8/2003 Flinchbaugh  
D483,487 S \* 12/2003 Harding ..... D24/129

(Continued)

**FOREIGN PATENT DOCUMENTS**

CN 204193342 U 3/2015  
WO WO 2007/132206 A1 11/2007

(Continued)

*Primary Examiner* — Nathan M Johnston

(74) *Attorney, Agent, or Firm* — Knobbe, Martens, Olson & Bear, LLP

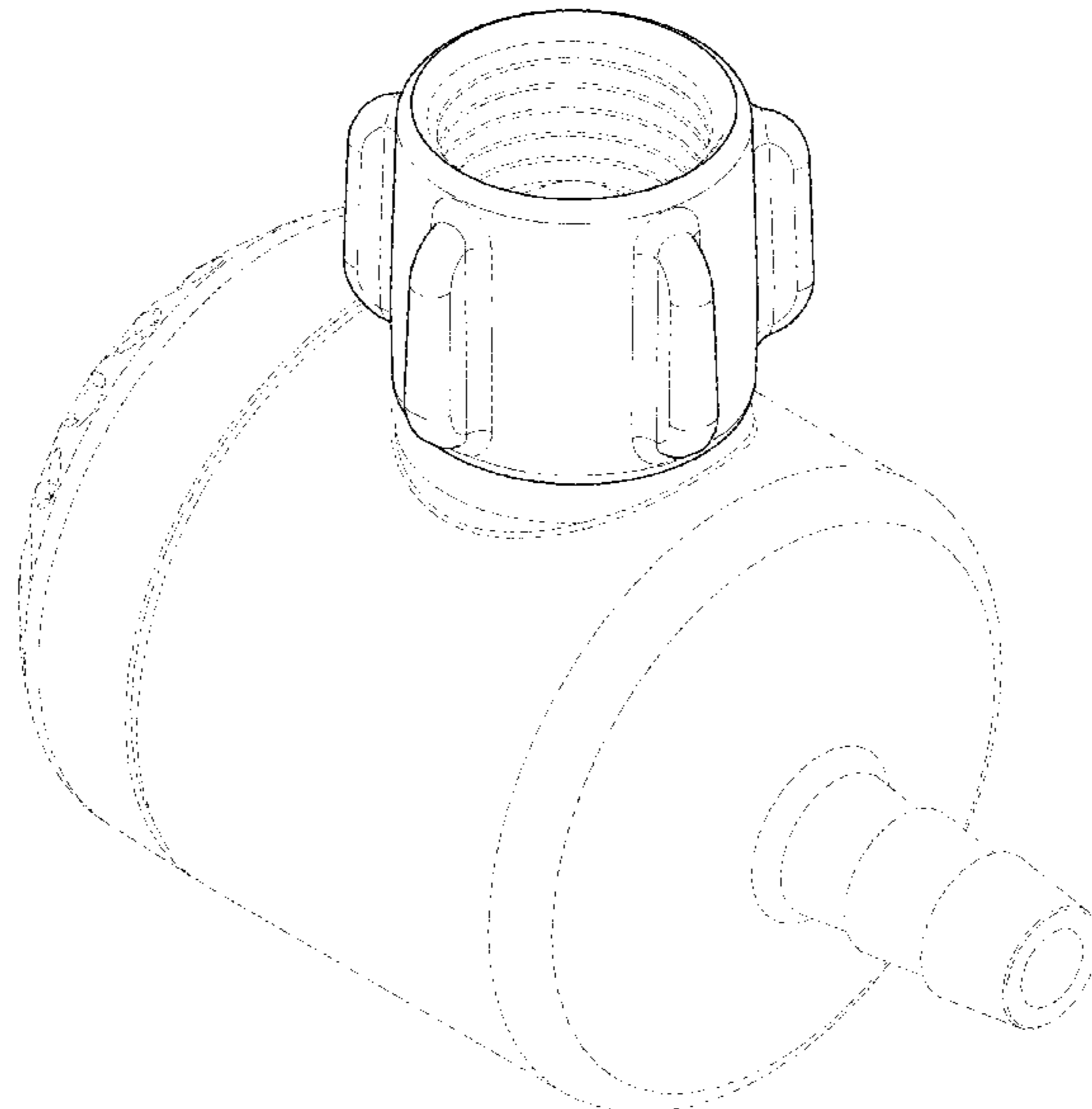
(57) **CLAIM**

The ornamental design for a wingnut for a flow alarm device, as shown and described.

**DESCRIPTION**

FIG. 1 is a perspective view of the wingnut for a flow alarm device;  
FIG. 2 is a front view thereof;  
FIG. 3 is a rear view thereof;  
FIG. 4 is a side view thereof;  
FIG. 5 is another side view thereof;  
FIG. 6 is a top view thereof; and,  
FIG. 7 is another perspective view thereof.  
Broken lines are used to illustrate portions of the wingnut for a flow alarm device or environmental subject matter that form no part of the claimed design. The dot-dash-dot and/or the diagonal lines form the bounds of the claimed design and are not part of the claimed design.

**1 Claim, 7 Drawing Sheets**



(56)

References Cited

U.S. PATENT DOCUMENTS

6,679,432 B1 1/2004 Arnold  
 7,298,280 B2 11/2007 Voege  
 D605,282 S 12/2009 Nichetti  
 7,730,847 B1 6/2010 Redd et al.  
 7,770,460 B1\* 8/2010 Chen ..... G01L 19/16  
 73/756  
 D634,813 S\* 3/2011 Hernandez, IV ..... D23/233  
 7,896,401 B2 3/2011 Richards et al.  
 D638,931 S 5/2011 Graham et al.  
 8,435,203 B2\* 5/2013 Viola ..... A61F 5/0076  
 604/9  
 8,657,800 B2\* 2/2014 Ho ..... A61M 16/0816  
 604/319  
 8,707,950 B1 4/2014 Rubin  
 D722,688 S 2/2015 Hamilton  
 D727,493 S\* 4/2015 Biener ..... D24/110.6  
 D731,049 S 6/2015 Winter  
 9,186,528 B2 11/2015 Patil et al.  
 D745,140 S 12/2015 Wheeler et al.  
 D789,183 S 6/2017 Herrick  
 9,773,393 B2 9/2017 Velez  
 D834,187 S\* 11/2018 Ryan ..... A61M 39/20  
 D24/130  
 D834,712 S 11/2018 Gulliver et al.

D861,856 S 10/2019 Lin et al.  
 2003/0189492 A1 10/2003 Harvie  
 2007/0017515 A1 1/2007 Wallace et al.  
 2008/0053441 A1 3/2008 Gottlbi et al.  
 2010/0020529 A1 1/2010 Brooks et al.  
 2011/0248856 A1 10/2011 Obenchain  
 2012/0085343 A1\* 4/2012 Cortez ..... A61M 11/003  
 128/200.14  
 2012/0174917 A1\* 7/2012 Chen ..... A61M 15/002  
 128/200.23  
 2013/0068221 A1 3/2013 Mian et al.  
 2013/0228179 A1 9/2013 Fischer, Jr.  
 2014/0276215 A1\* 9/2014 Nelson ..... A61M 39/223  
 600/573  
 2015/0170630 A1 6/2015 Dawson  
 2015/0297880 A1\* 10/2015 Ogawa ..... A61M 39/24  
 604/247  
 2017/0345272 A1 11/2017 Velez

FOREIGN PATENT DOCUMENTS

WO WO 2013/054963 A1 4/2013  
 WO WO 2013/128221 A1 9/2013  
 WO WO 2014/026221 A1 2/2014  
 WO WO 2017/062454 A2 4/2017

\* cited by examiner

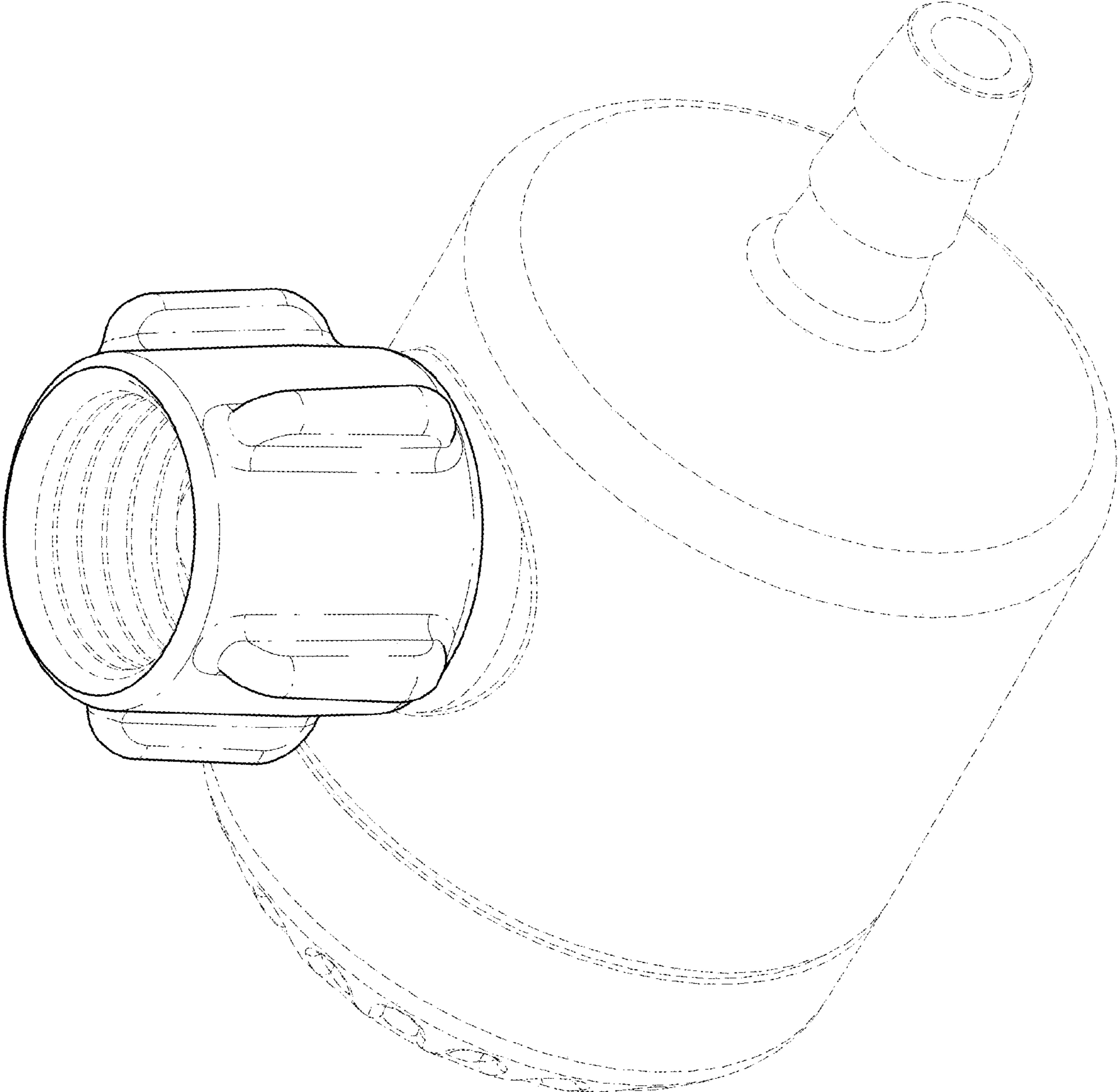


FIG. 1

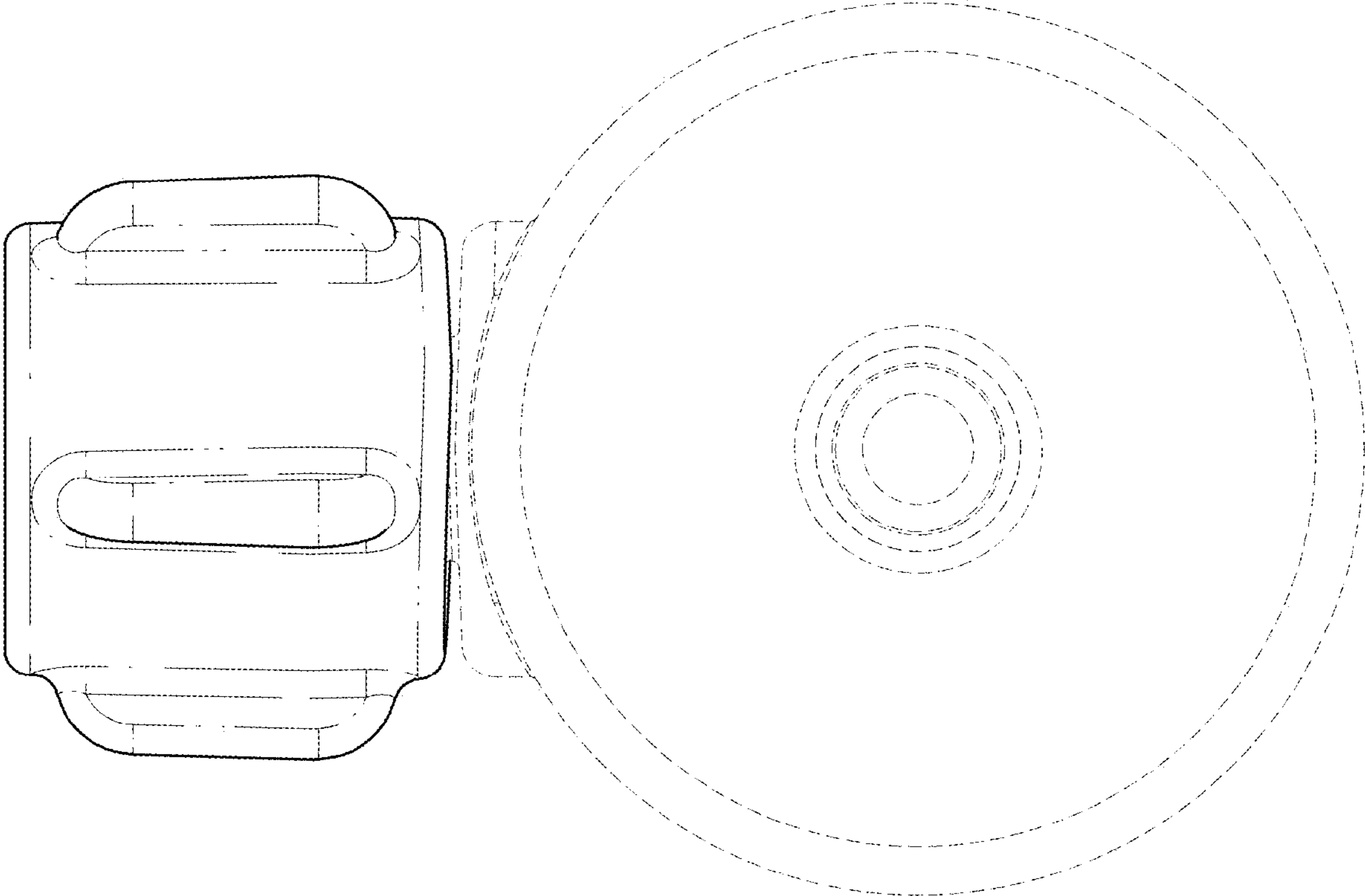


FIG. 2

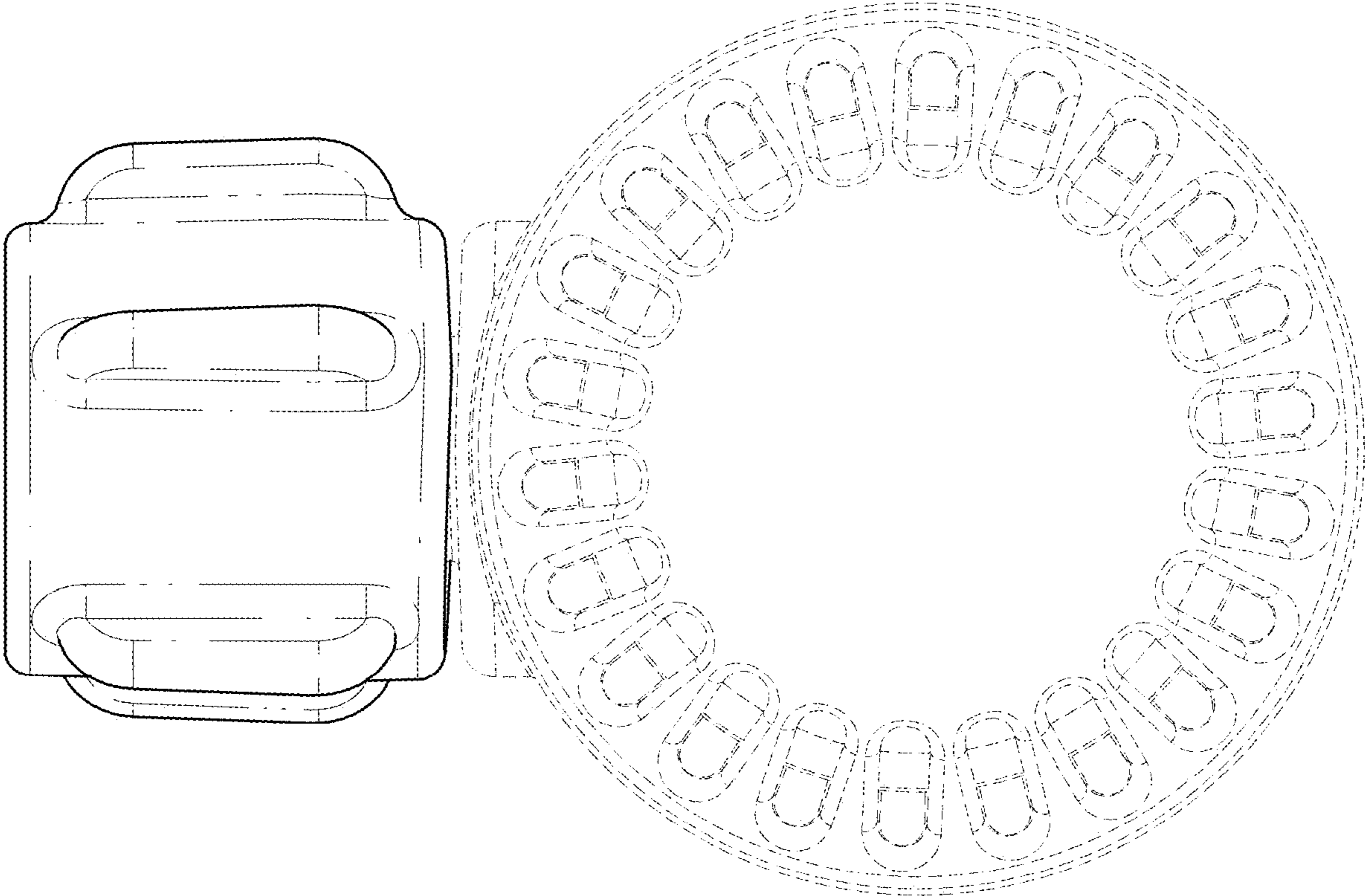


FIG. 3

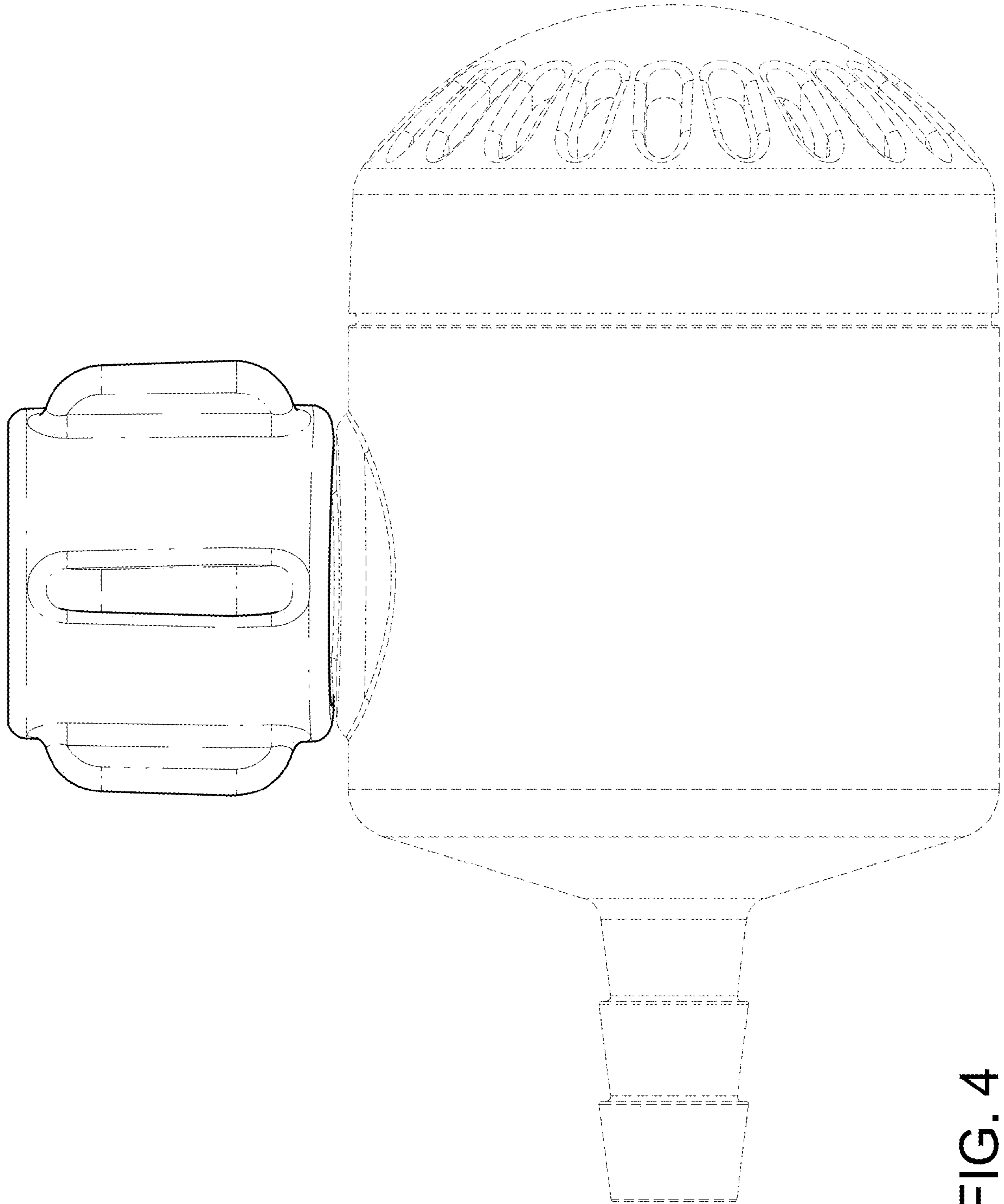


FIG. 4

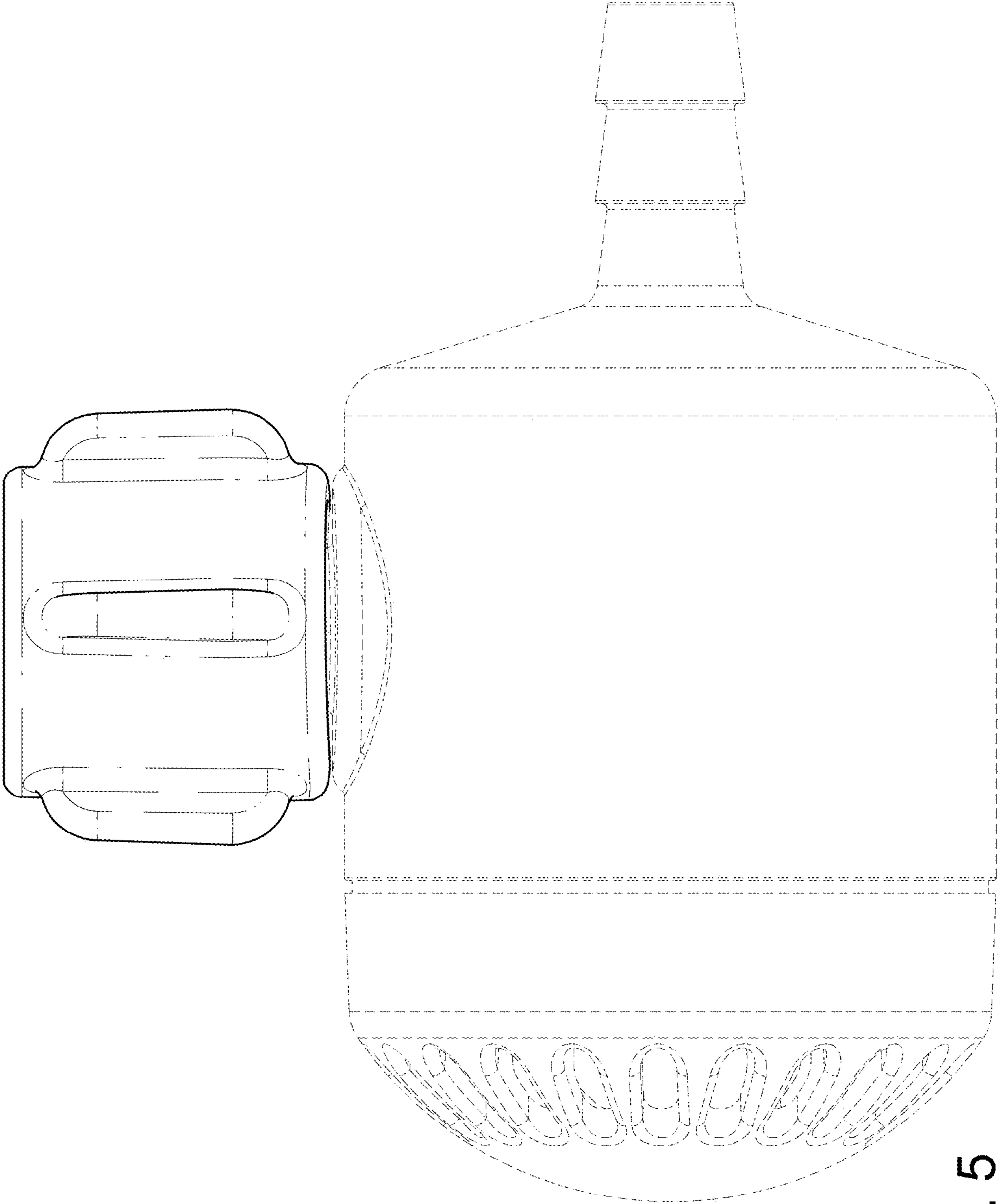


FIG. 5

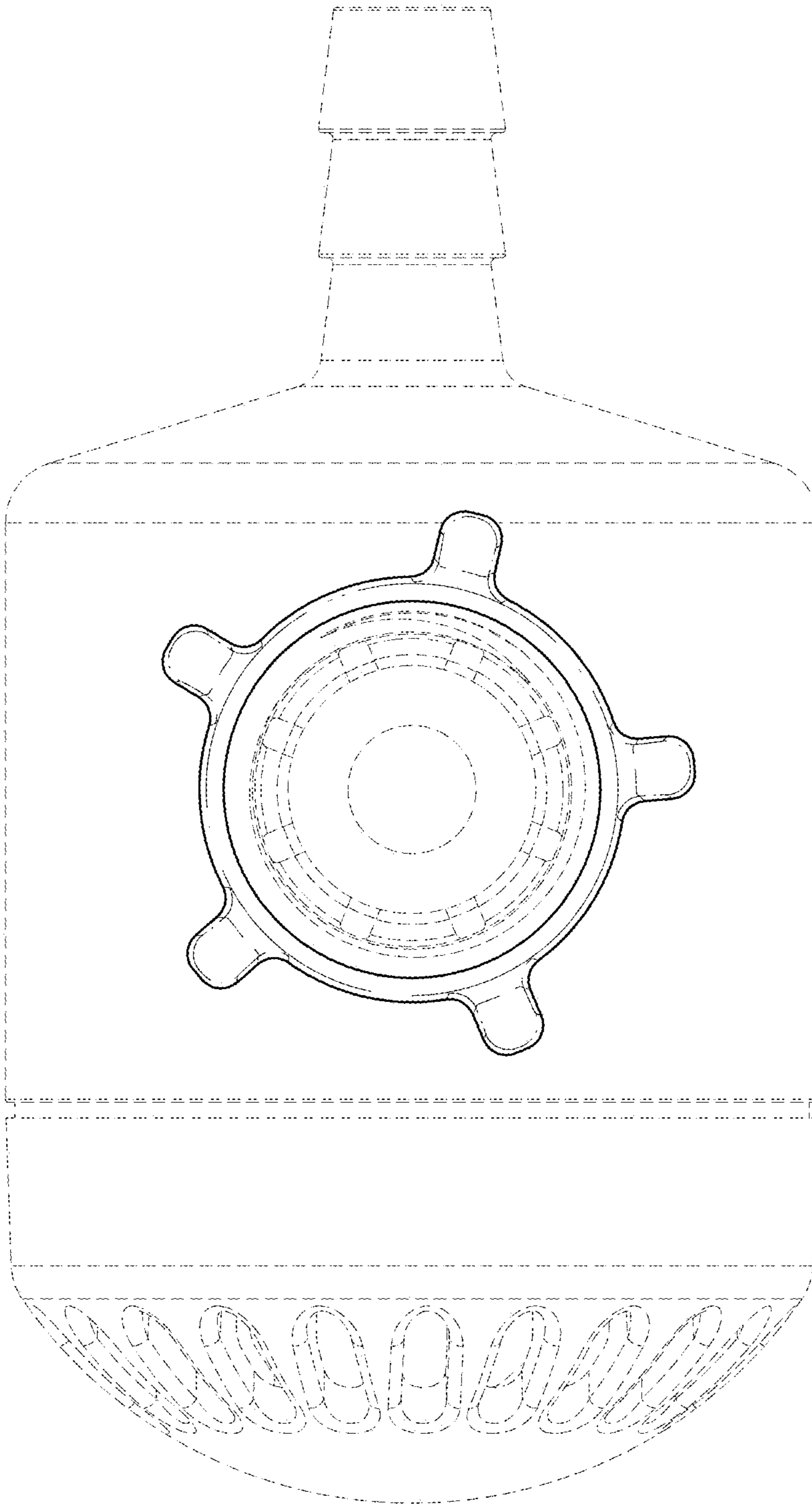


FIG. 6



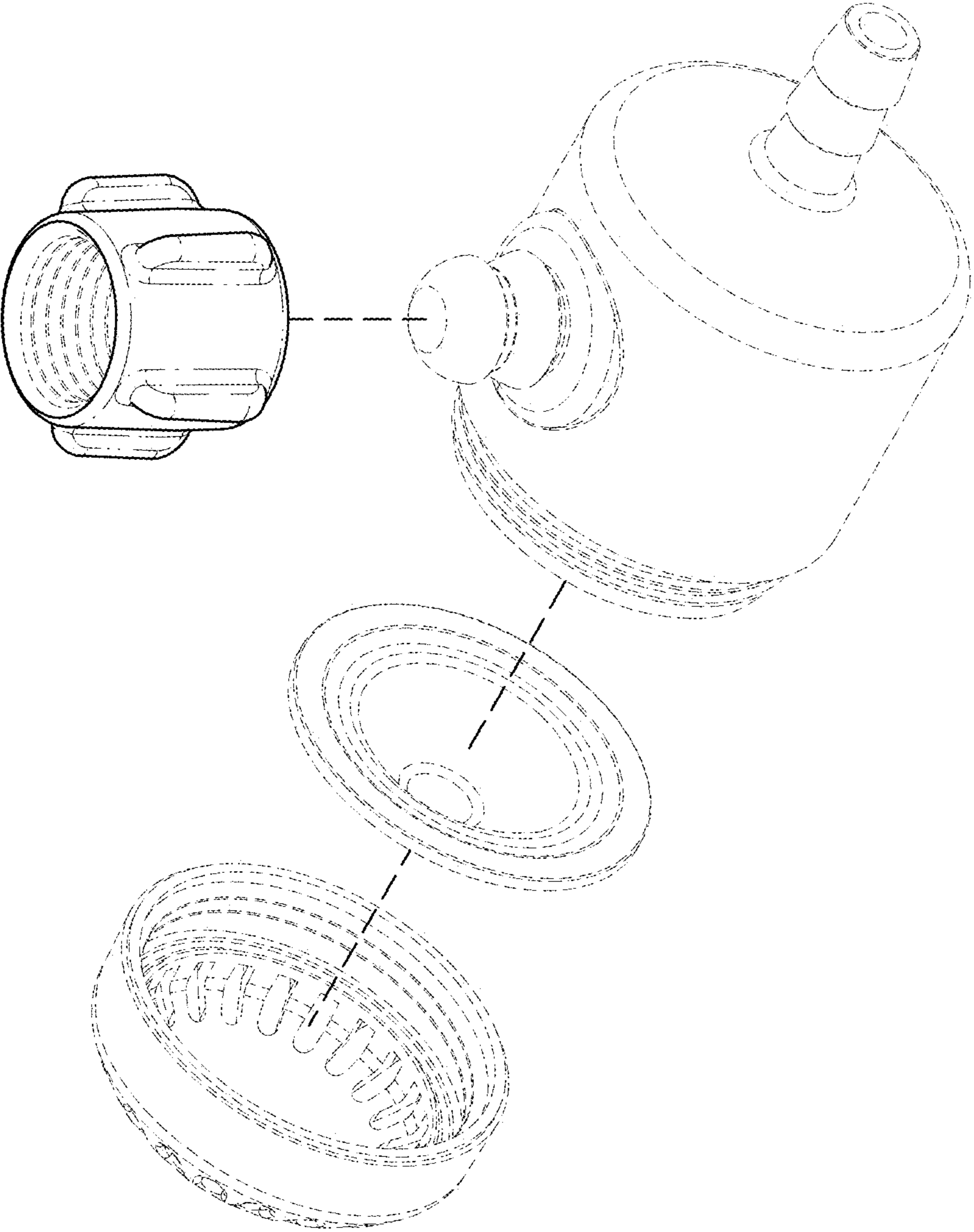


FIG. 7