



US00D908212S

(12) **United States Design Patent** (10) **Patent No.:** **US D908,212 S**
Taylor (45) **Date of Patent:** **** Jan. 19, 2021**

- (54) **ADAPTER**
- (71) Applicant: **Kristine Marie Taylor**, Redwood City, CA (US)
- (72) Inventor: **Kristine Marie Taylor**, Redwood City, CA (US)
- (**) Term: **15 Years**
- (21) Appl. No.: **29/614,168**
- (22) Filed: **Aug. 16, 2017**

7,799,008	B2	9/2010	Hendricks	
D642,260	S	7/2011	Hendricks	
D736,914	S *	8/2015	Schultz	D24/129
D737,962	S *	9/2015	Schultz	D24/129
D743,044	S *	11/2015	Jackson	D24/129
D750,775	S *	3/2016	Carrel	D24/130
D761,421	S *	7/2016	Nakagami	D24/129
D791,939	S *	7/2017	Turturro	D24/129

(Continued)

FOREIGN PATENT DOCUMENTS

WO WO 2016/035788 3/2016

OTHER PUBLICATIONS

ENFit Compatible Pharmacy Caps (25 Caps); Medi-Dose EPS, retrieved from url: <http://www.medidose.com/ENFITEnteralPharmacyCaps25Caps.aspx>; retrieved on Aug. 16, 2017, 5 pages.

(Continued)

Primary Examiner — David G Muller
(74) *Attorney, Agent, or Firm* — Ray Quinney & Nebeker P.C.; Paul N. Taylor

Related U.S. Application Data

- (63) Continuation-in-part of application No. 15/530,694, filed on Aug. 17, 2016, now abandoned, and a continuation-in-part of application No. 15/530,693, filed on Aug. 19, 2016, now abandoned.
- (51) **LOC (13) Cl.** **24-02**
- (52) **U.S. Cl.**
USPC **D24/127**
- (58) **Field of Classification Search**
USPC D24/127–131, 112–114, 133, 186;
606/181, 185; 604/264, 523–528, 272,
604/187, 158, 164.01–164.11, 181, 184,
604/227; 600/101, 139, 143;
128/200.24, 207.14, 207.15
CPC .. A61M 25/065; A61M 5/42; A61M 25/0612;
A61M 25/00; A61M 39/00; A61M 27/00;
A61M 25/0043; A61M 25/0067; A61M
25/0097; A61F 2/958
See application file for complete search history.

(57) **CLAIM**

The ornamental design for an adapter, as shown and described.

DESCRIPTION

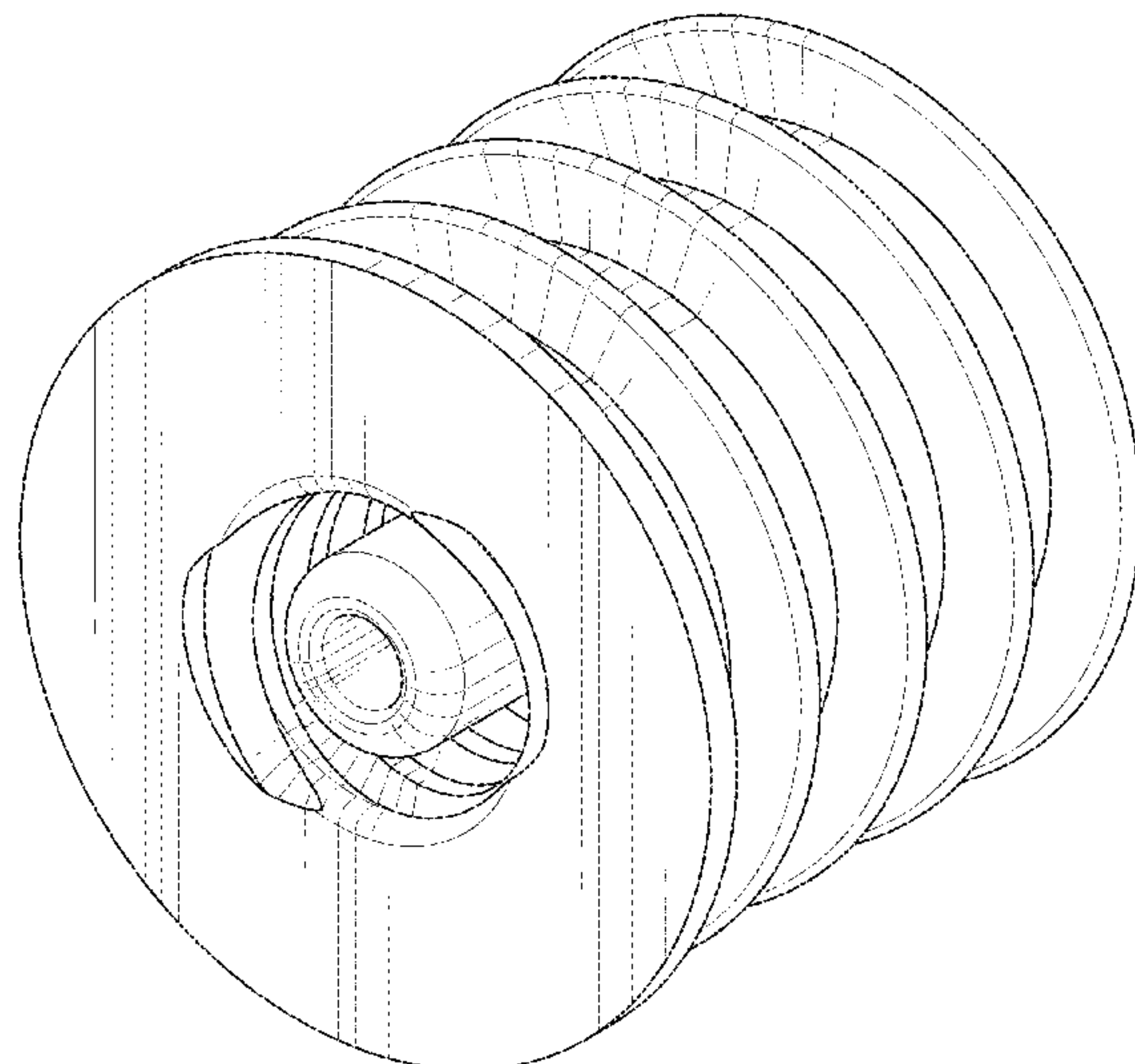
FIG. 1 is a perspective top view of an adapter of the present invention;
FIG. 2 is a perspective bottom view of the adapter of FIG. 1;
FIG. 3 is a top view of the adapter of FIG. 1;
FIG. 4 is a bottom view of the adapter of FIG. 1; and,
FIG. 5 is a side view of the adapter of FIG. 1.
The dash-dot-dash lines indicate boundaries of the adapter that form no part of the claim.

(56) **References Cited**

U.S. PATENT DOCUMENTS

D303,710	S *	9/1989	Neill	D24/232
6,003,556	A	12/1999	Brugger et al.	
D437,412	S *	2/2001	Maeji	D24/127
6,726,672	B1	4/2004	Hanly et al.	
7,316,679	B2 *	1/2008	Bierman	A61M 39/10 128/DIG. 26

1 Claim, 5 Drawing Sheets



(56)

References Cited

U.S. PATENT DOCUMENTS

D795,421 S * 8/2017 Ratner D24/129
D799,032 S * 10/2017 Becker D24/129
D815,278 S * 4/2018 Pak D24/130
D825,750 S * 8/2018 Feldmann D24/130
2002/0082586 A1 6/2002 Finley et al.
2010/0327010 A1 12/2010 Manera et al.
2011/0130724 A1 6/2011 Mansour et al.

OTHER PUBLICATIONS

Press in bottle Adapter for Oral Medication Syringe (22mm—25 Count); Amazon.com; retrieved from url: https://www.amazon.com/Press-Bottle-Adapter-Medication-Syringe/dp/B00KZ017PC/ref=pbxgy_194_2?_encoding=UTF8&pd_rd_i=B00KZ017PC&pd_rd_r=5S3E4WKEHJXEETW054MZ&pd_rd_w=ySI5s&pd_rd_wg=zYHWX&refRID=5S3E4WKEHJXEETW054MZ&th=1; retrieved Aug. 16, 2017, 6 pages.

International Search Report from PCT/US2017/047292, dated Nov. 27, 2017, 11 pages.

Anonymous: "APMF149PKG + ¼" Male NPT × Male Luer, Straight Adapter—Bag of 10", Apr. 8, 2016, XP055425633, Retrieved from the Internet: https://web.archive.org/web/20160408170951/http://www.dispensinglink.com:80/store/p65/APMF149PKG=_1/4%22_Male_NPT_x_Male_Luer,_Straight_Adapter_-_Bag_of_10.html, retrieved Nov. 16, 2017.

Adhesive Dispensing Ltd: "¼" PNT to male luer plastic fitting TSD931-7C", Apr. 4, 2016, XP055425639, Retrieved from Internet: https://web.archive.org/web/20160404161631/https://www.adhesivedispensing.net/TSD931_7C_Tip_Adapter_1_4_Clr_PP_pk_5_p/tsd931-7c.htm, retrieved Nov. 16, 2017.

Office Action in EP Application 17758983.5, dated Apr. 20, 2020, 6 pages.

* cited by examiner

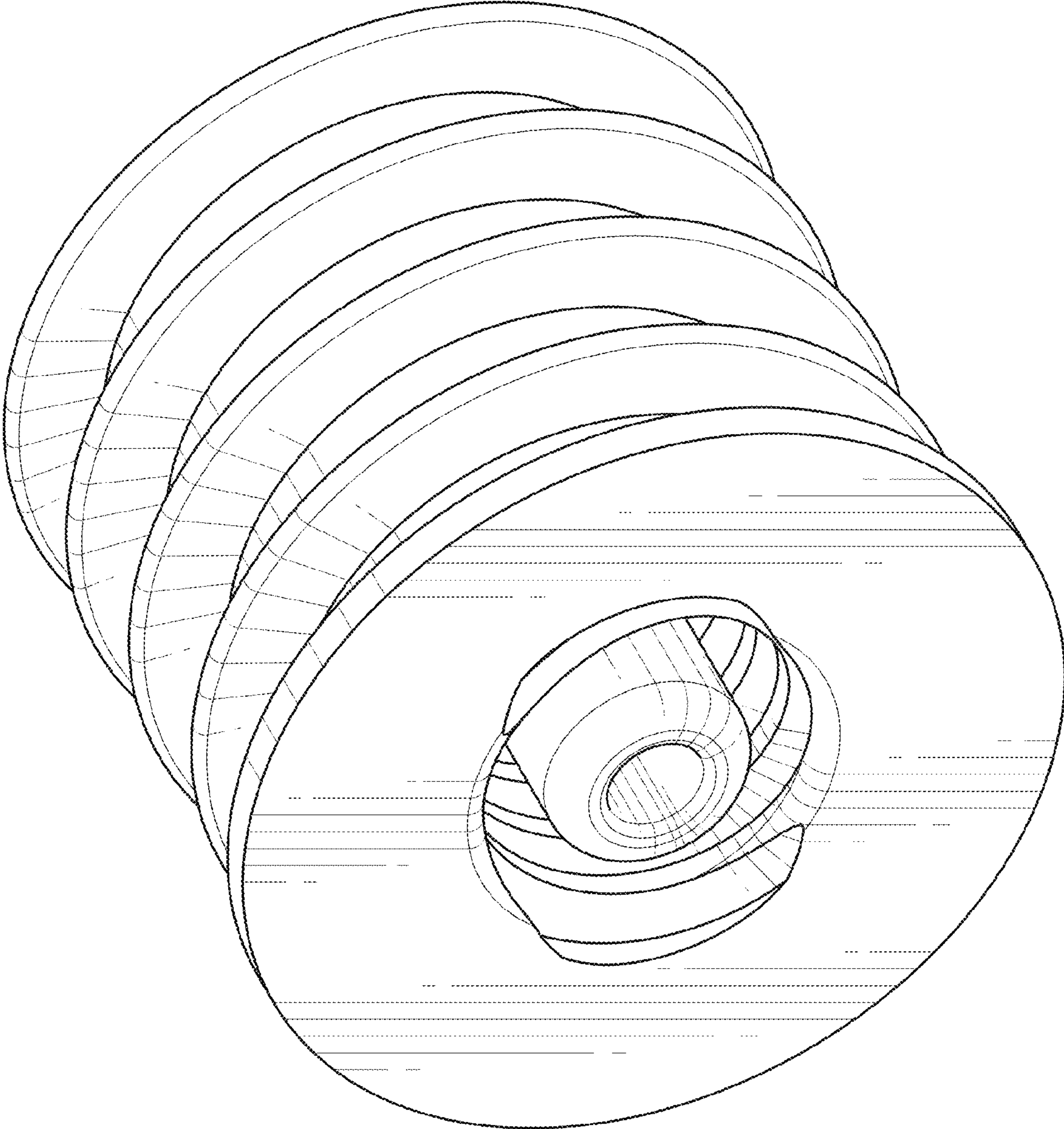


FIG. 1

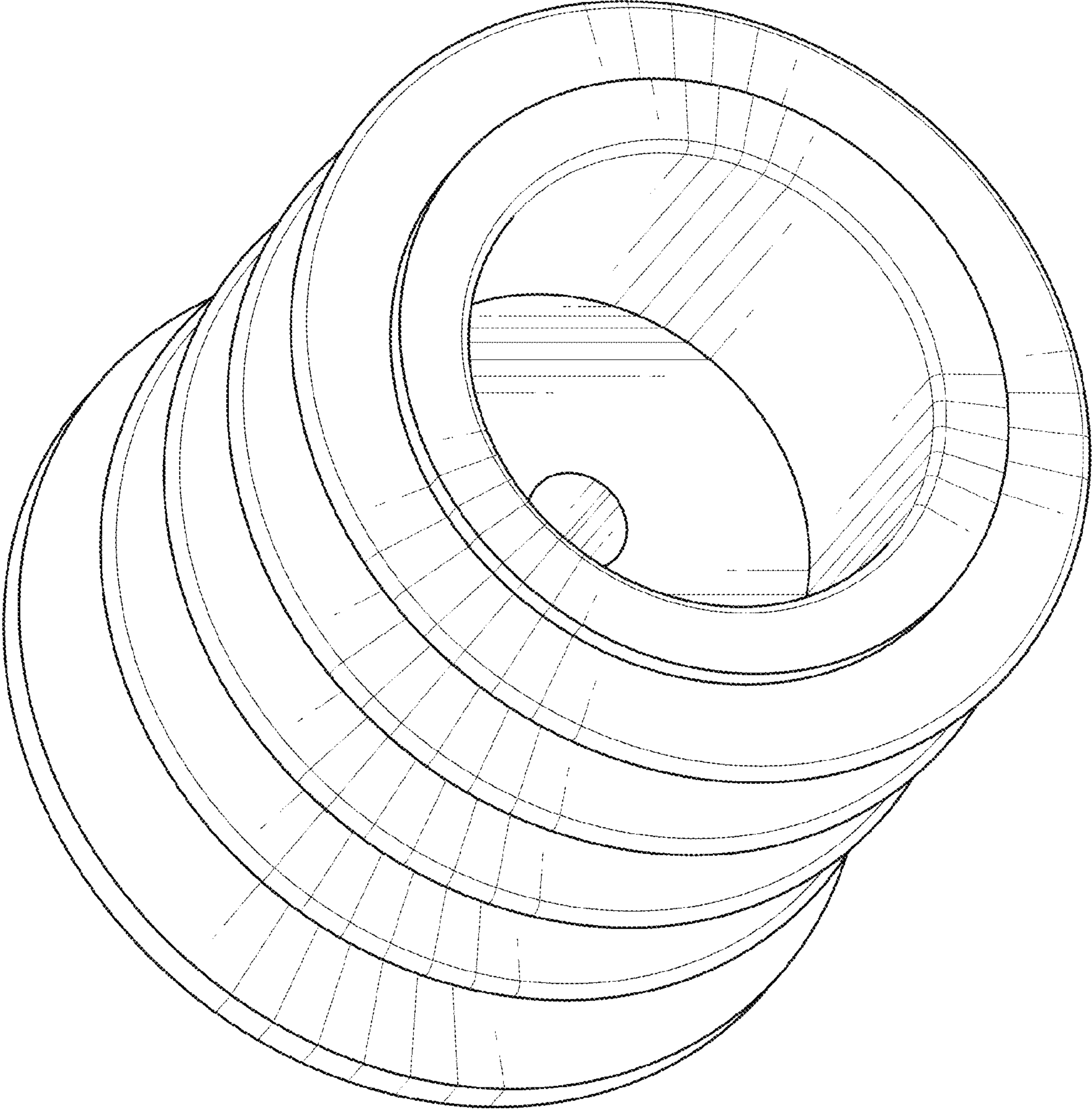


FIG. 2

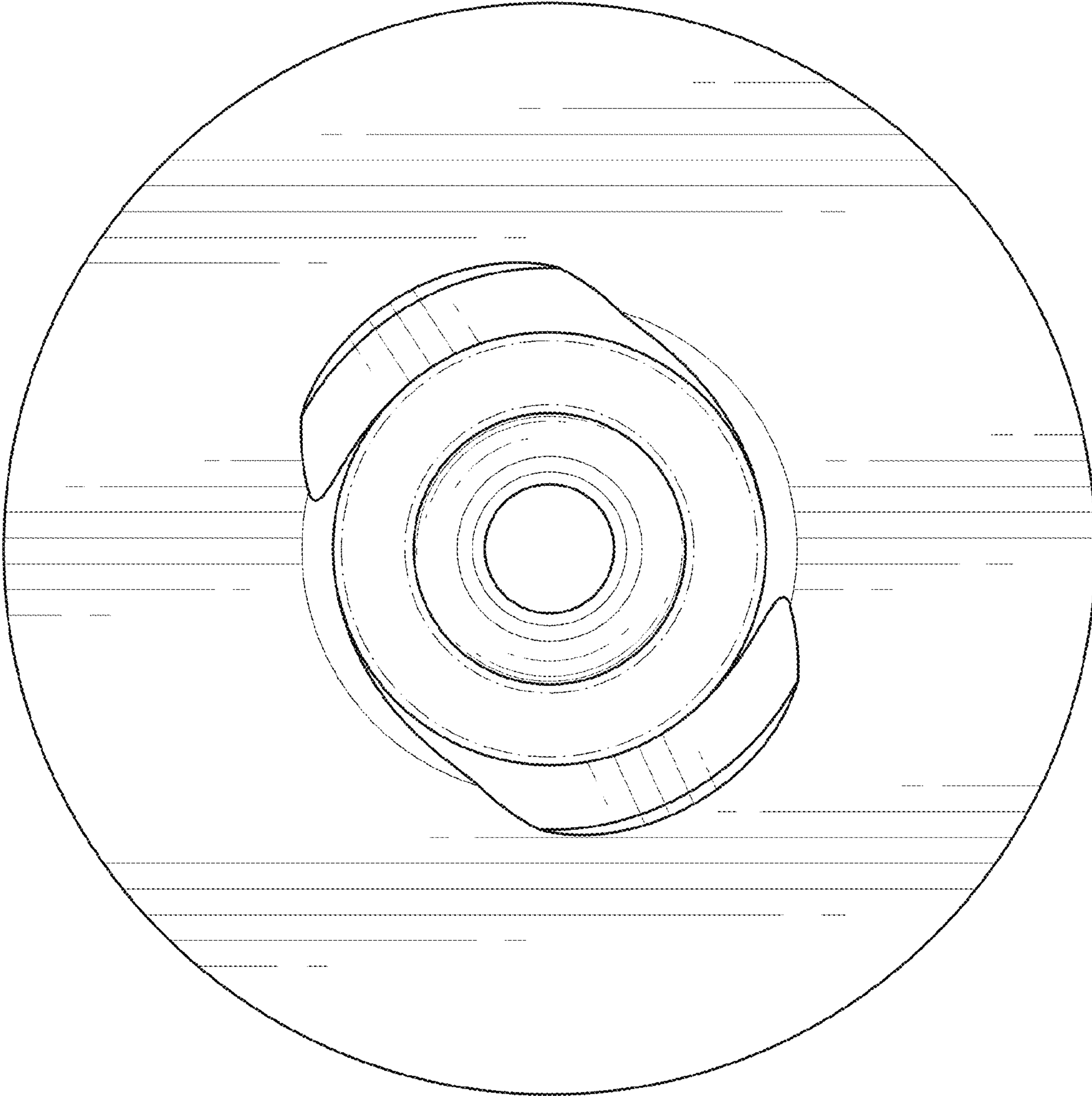


FIG. 3

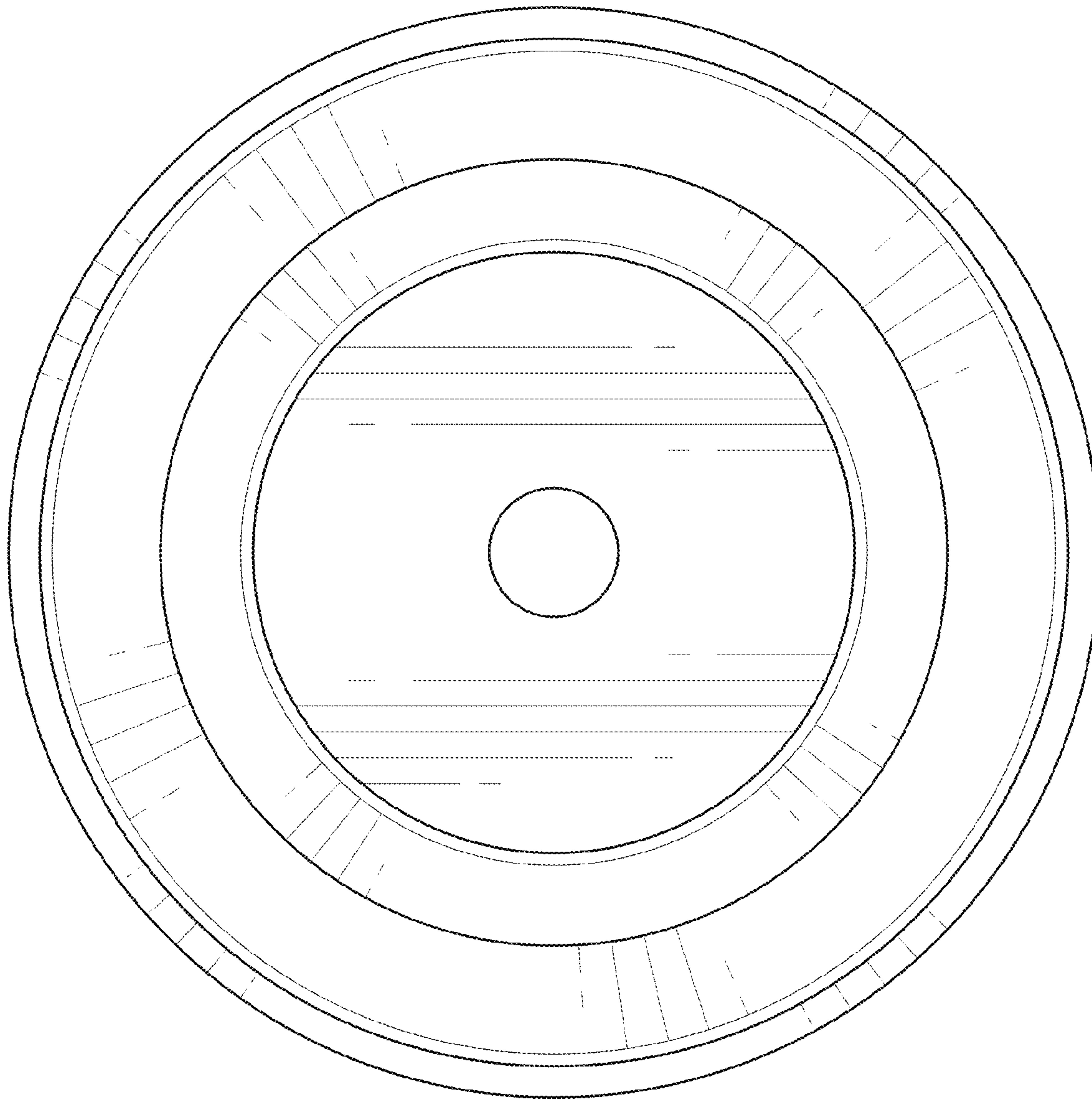


FIG. 4

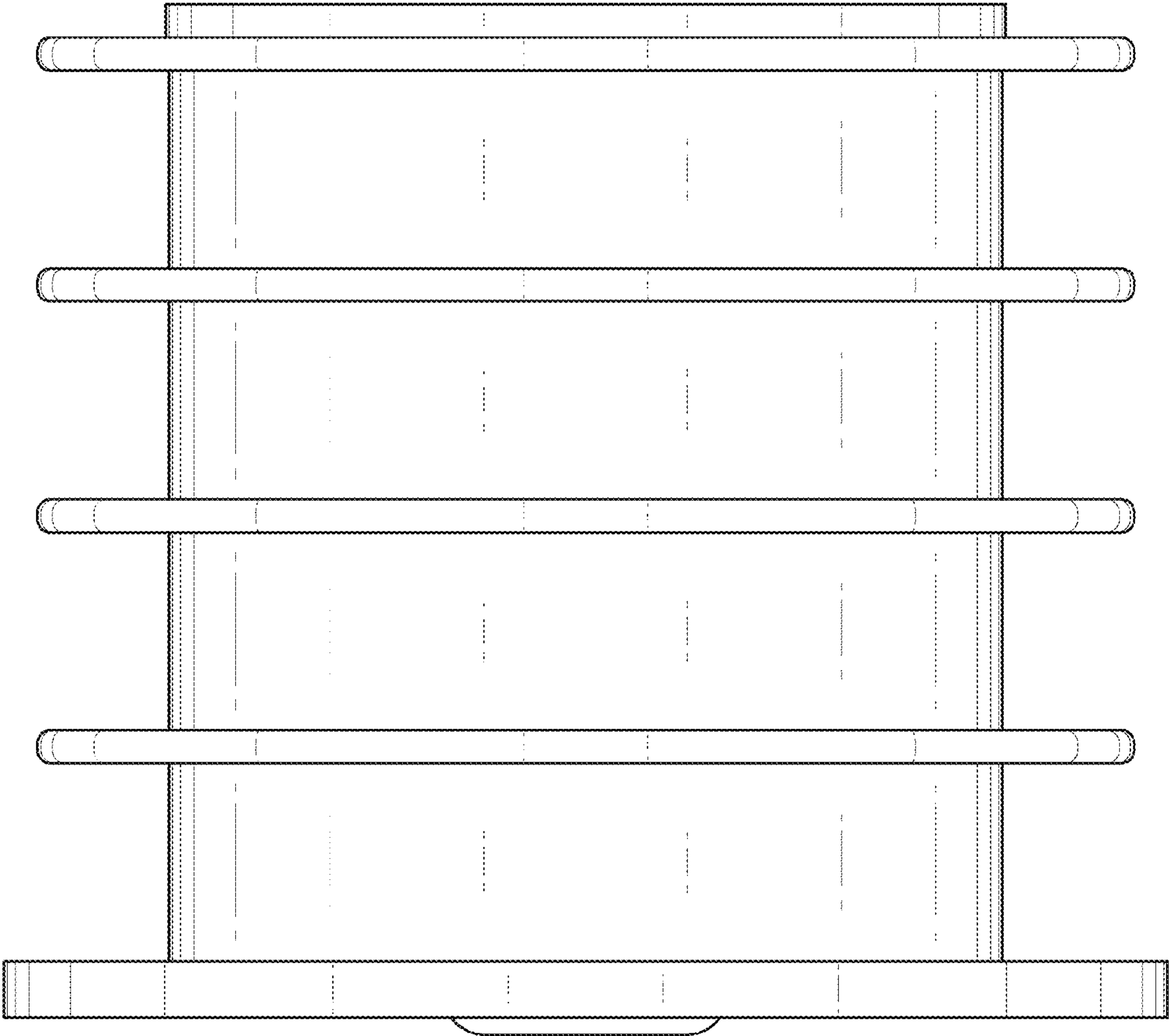


FIG. 5