



US00D908211S

(12) **United States Design Patent** (10) **Patent No.:** **US D908,211 S**
Adhyaru (45) **Date of Patent:** **** Jan. 19, 2021**

- (54) **MEDICANT APPLICATOR**
- (71) Applicant: **Niva Medtech LLC**, Bullard, TX (US)
- (72) Inventor: **Harsh Yogeshkumar Adhyaru**, Bullard, TX (US)
- (73) Assignee: **NIVA MEDTECH LLC**, Bullard, TX (US)
- (**) Term: **15 Years**
- (21) Appl. No.: **29/722,788**
- (22) Filed: **Jan. 31, 2020**

D771,249 S *	11/2016	Heath	D24/133
D789,520 S *	6/2017	Tseng	D24/114
D804,663 S *	12/2017	Jenkins	D24/130
D811,589 S *	2/2018	Finke	A61M 5/24 D24/114

(Continued)

FOREIGN PATENT DOCUMENTS

CN	201379893	Y	1/2010
CN	204121588	U	1/2015
WO	WO2017035335	A1	3/2017

Primary Examiner — David G Muller

- Related U.S. Application Data**
- (63) Continuation-in-part of application No. 16/779,277, filed on Jan. 31, 2020.
 - (51) **LOC (13) Cl.** **24-02**
 - (52) **U.S. Cl.**
USPC **D24/114**
 - (58) **Field of Classification Search**
USPC D24/112–114, 108, 133, 130, 127, 186;
606/181, 185; 604/264, 272, 187, 181,
604/184, 227
CPC A61M 5/178; A61M 3/00; A61M 5/20;
A61M 5/31; A61M 5/3146; A61M
5/3129; A61M 5/3148; A61M 5/315
See application file for complete search history.

(57) **CLAIM**

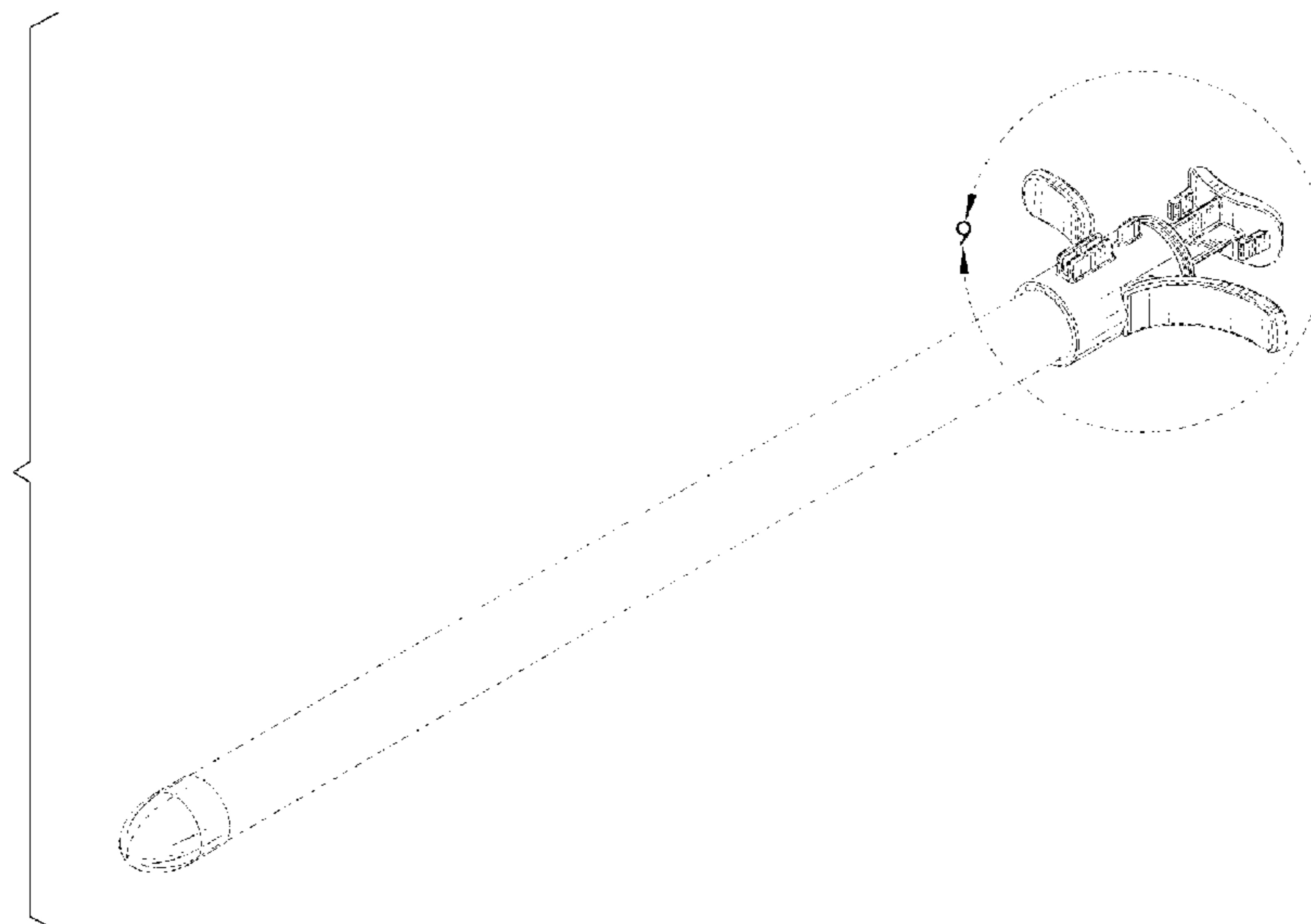
The ornamental design for a medicant applicator, as shown and described.

DESCRIPTION

FIG. 1 is a top-front-left perspective view of a medicant applicator showing my new design;
 FIG. 2 is a bottom-rear-right perspective view thereof;
 FIG. 3 is a front elevational view thereof;
 FIG. 4 is a rear elevational view thereof;
 FIG. 5 is a left-side elevational view thereof;
 FIG. 6 is a right-side elevational view thereof;
 FIG. 7 is a top plan view thereof;
 FIG. 8 is a bottom plan view thereof;
 FIG. 9 is a detail view of area 9 in FIG. 1;
 FIG. 10 is a detail view of area 11 in FIG. 2; and,
 FIG. 11 is a top-front-left perspective view of the medicant applicator, wherein an exemplary plunger rod has been removed from an applicator barrel to illustrate construction. The dashed line showing a cruciform perforation in FIGS. 1, 2, 3, 5, 6, 7, 8, and 11; the applicator barrel in FIGS. 1, 2, 5, 6, 7, 8, 9, 10, and 11; and the exemplary plunger rod in FIG. 11 is included for the purpose of illustrating environmental structure and forms no part of the claimed design.

- (56) **References Cited**
U.S. PATENT DOCUMENTS
6,206,867 B1 3/2001 Osborn, III et al.
7,172,573 B1 2/2007 Lamb
D576,276 S * 9/2008 Osypka D24/130
7,591,805 B2 * 9/2009 Lampropoulos A61M 5/14
604/187
7,591,808 B2 9/2009 DiPiano et al.
8,419,730 B2 * 4/2013 Pellegrino A61B 18/1487
606/41

1 Claim, 11 Drawing Sheets



(56)

References Cited

U.S. PATENT DOCUMENTS

D836,771	S	*	12/2018	Tseng	D24/112
D865,948	S	*	11/2019	Mandaroux	D24/114
D865,949	S	*	11/2019	Mandaroux	D24/114
D866,753	S	*	11/2019	Mandaroux	D24/114
D877,901	S	*	3/2020	Taylor	D24/130
D891,611	S	*	7/2020	Valentin	D24/114
2004/0092906	A1		5/2004	Tosato	

* cited by examiner

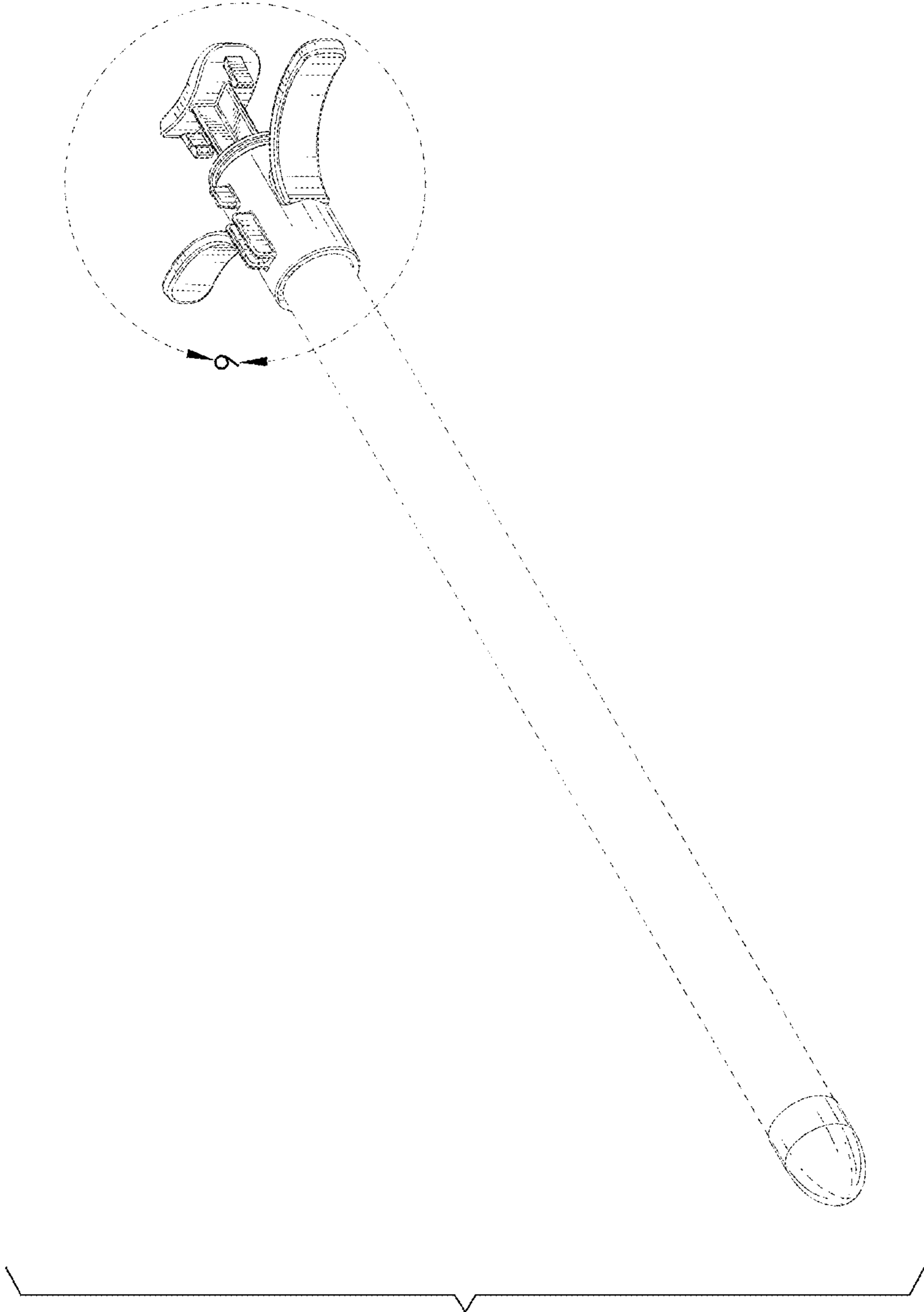


FIG. 1

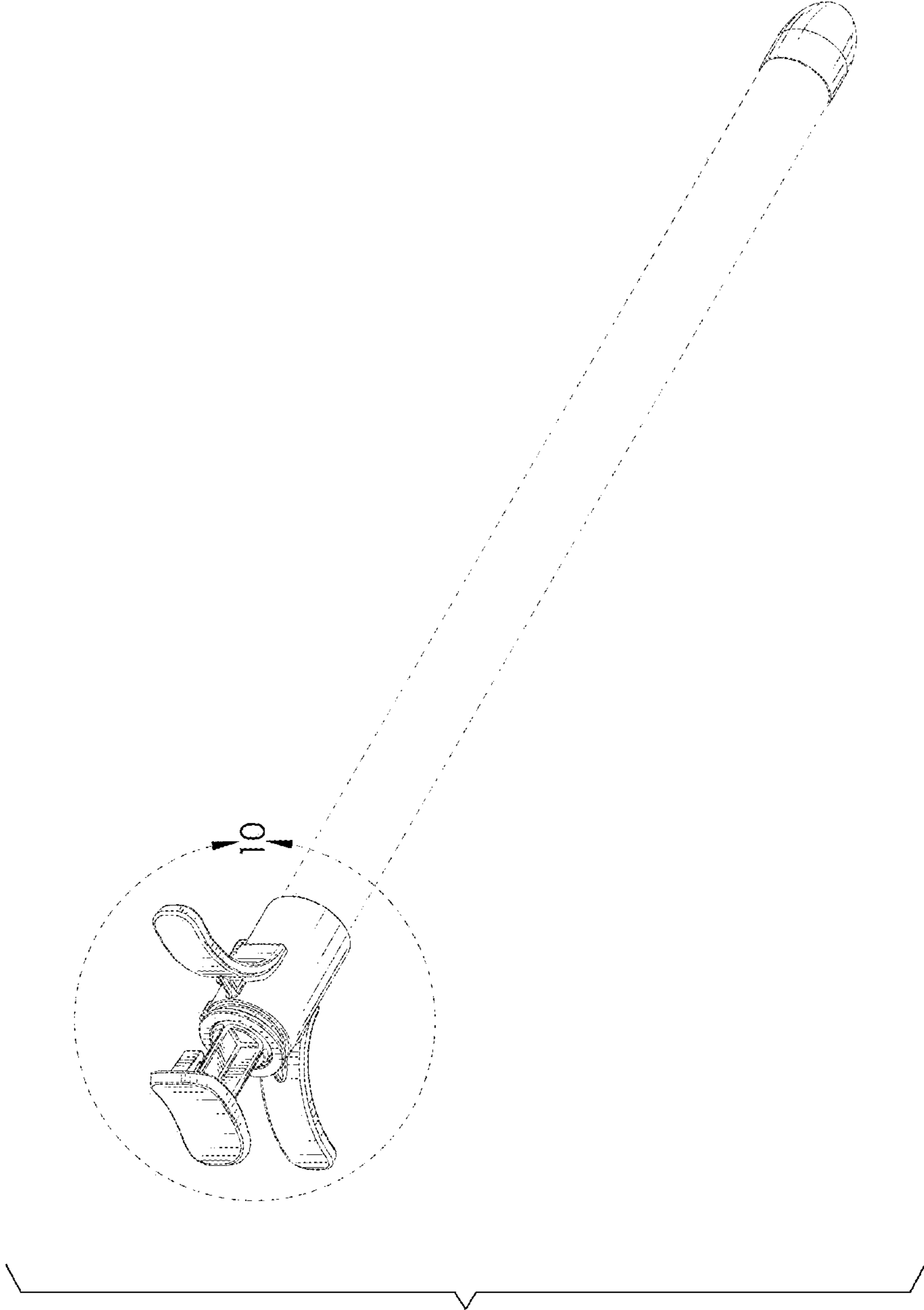


FIG. 2

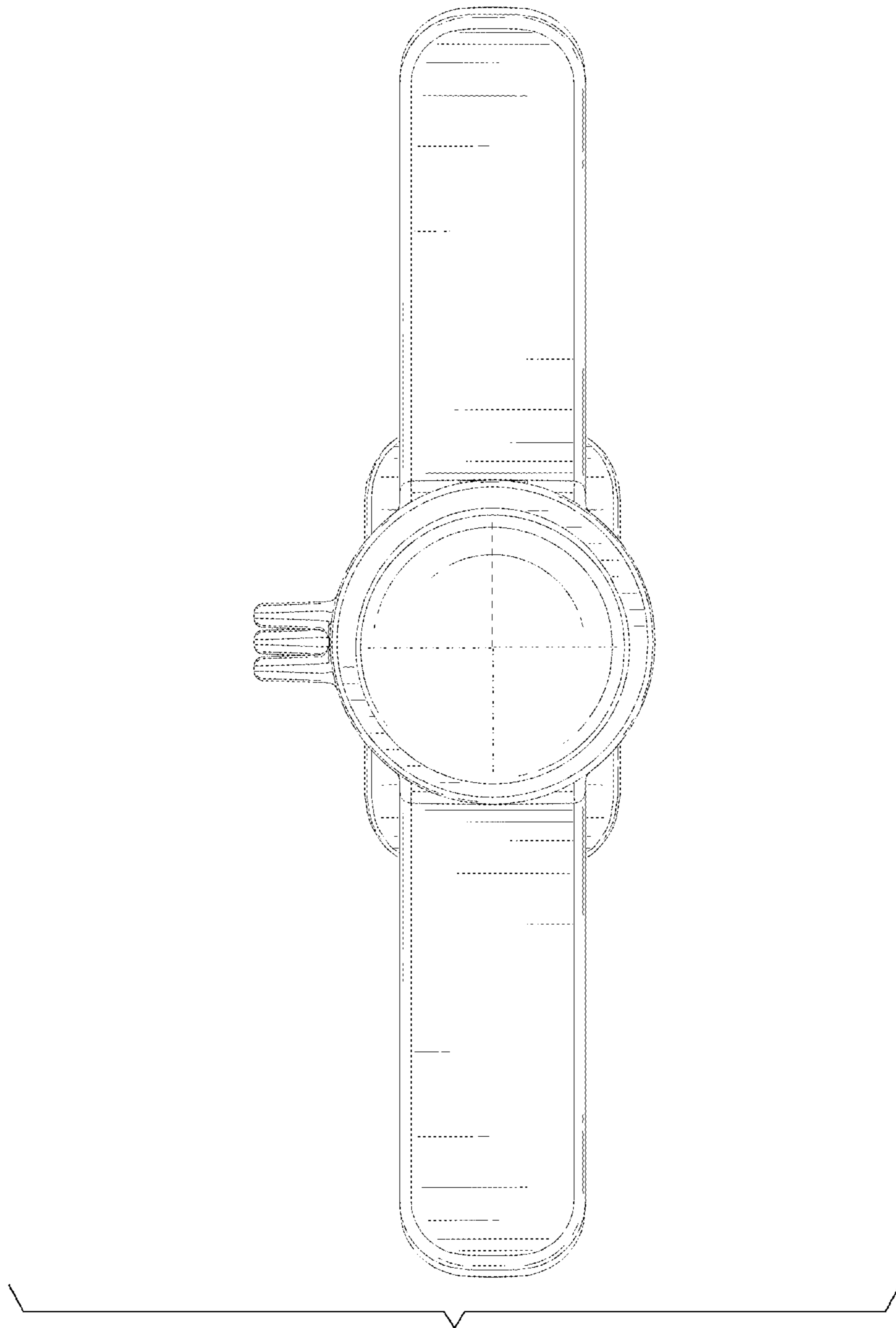


FIG. 3

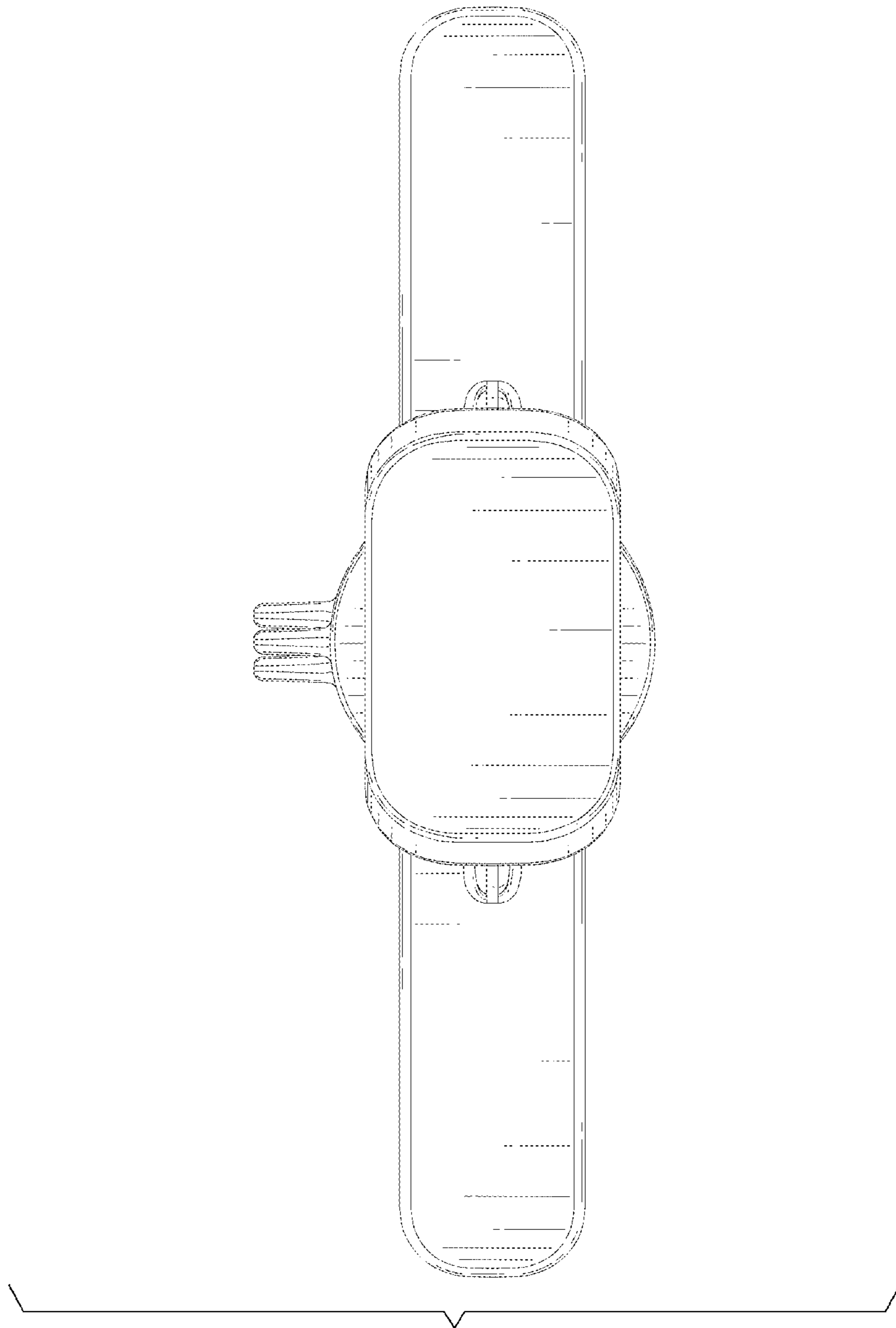


FIG. 4

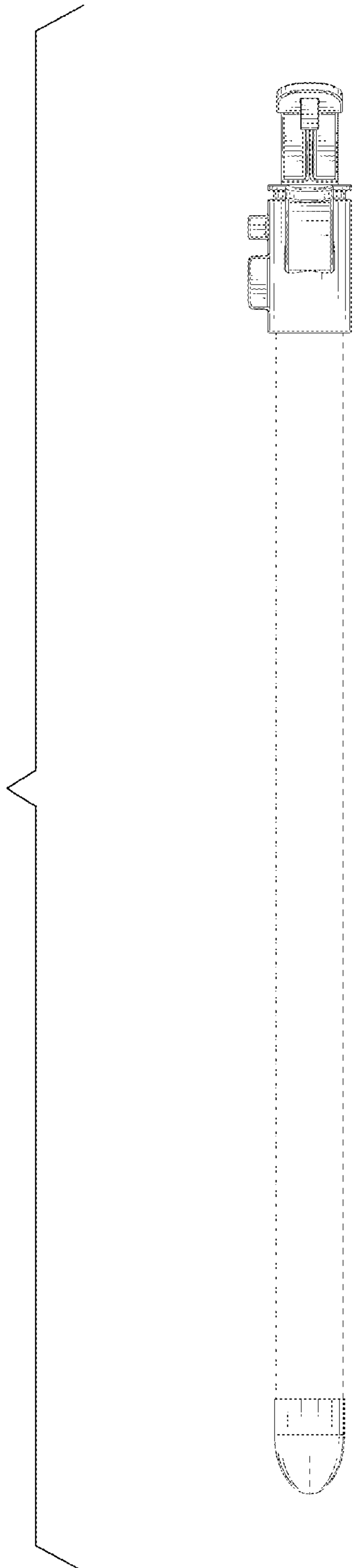


FIG. 5

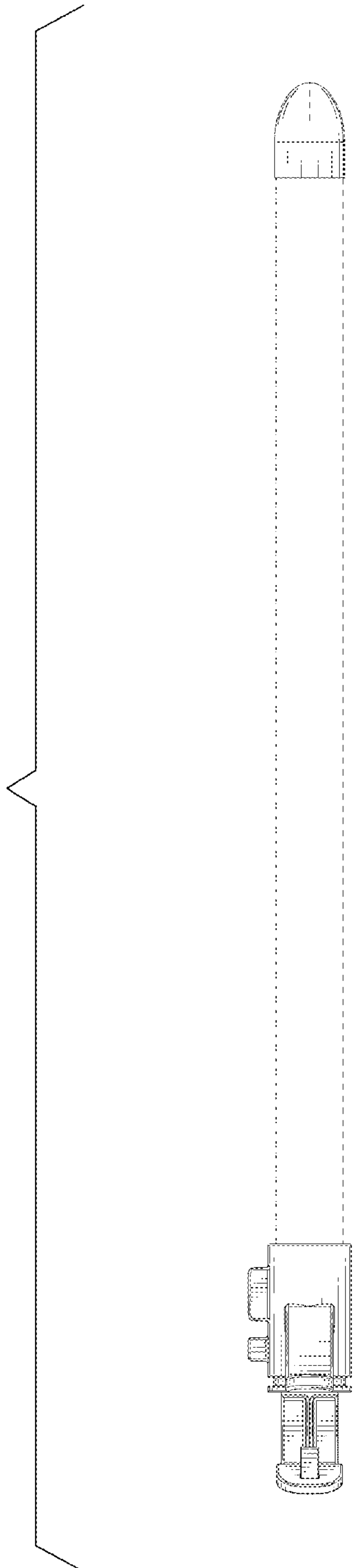


FIG. 6

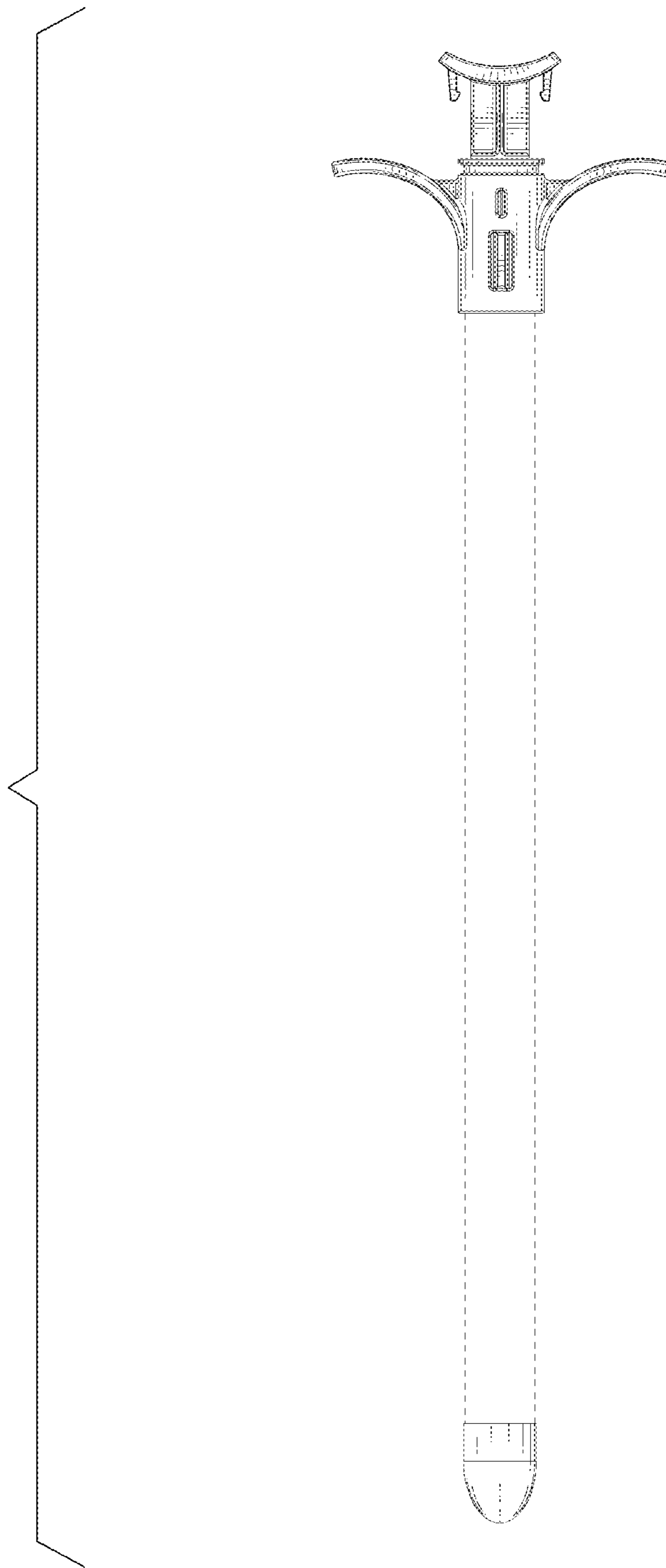


FIG. 7

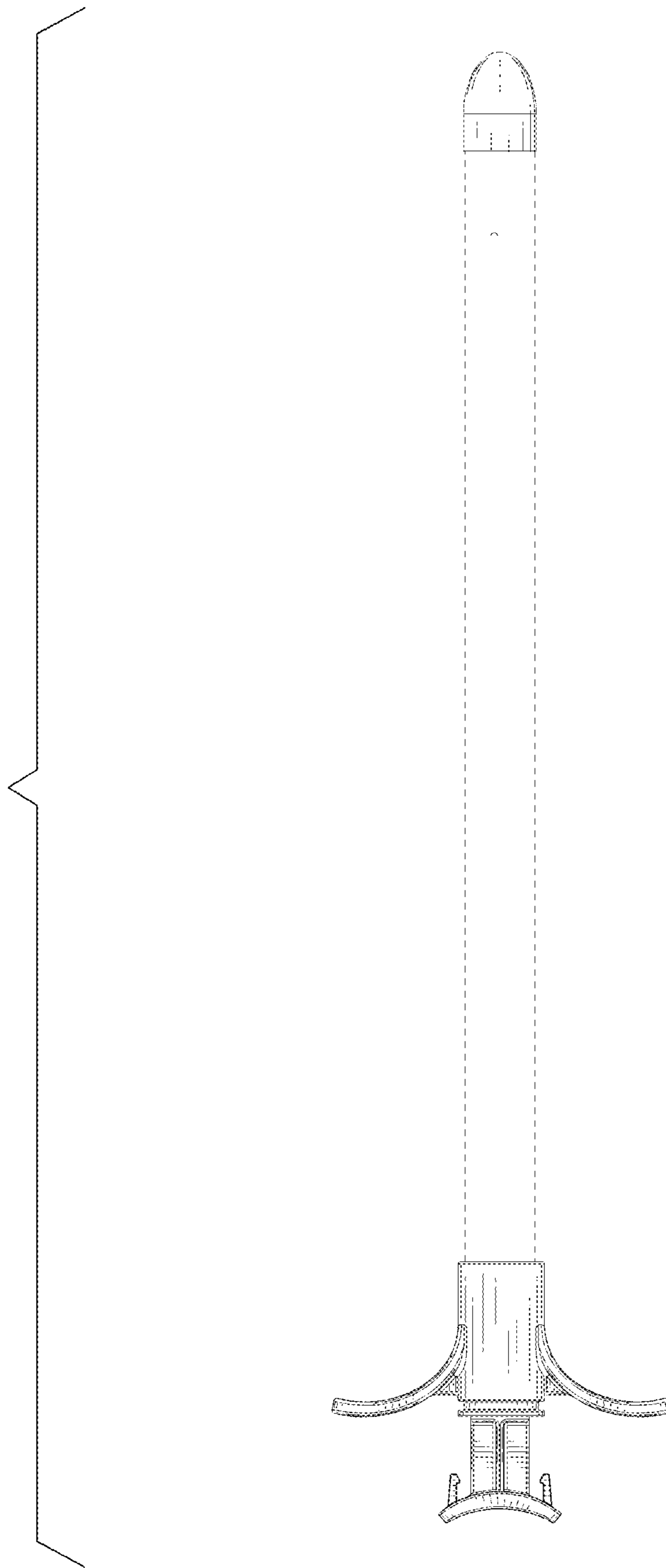


FIG. 8

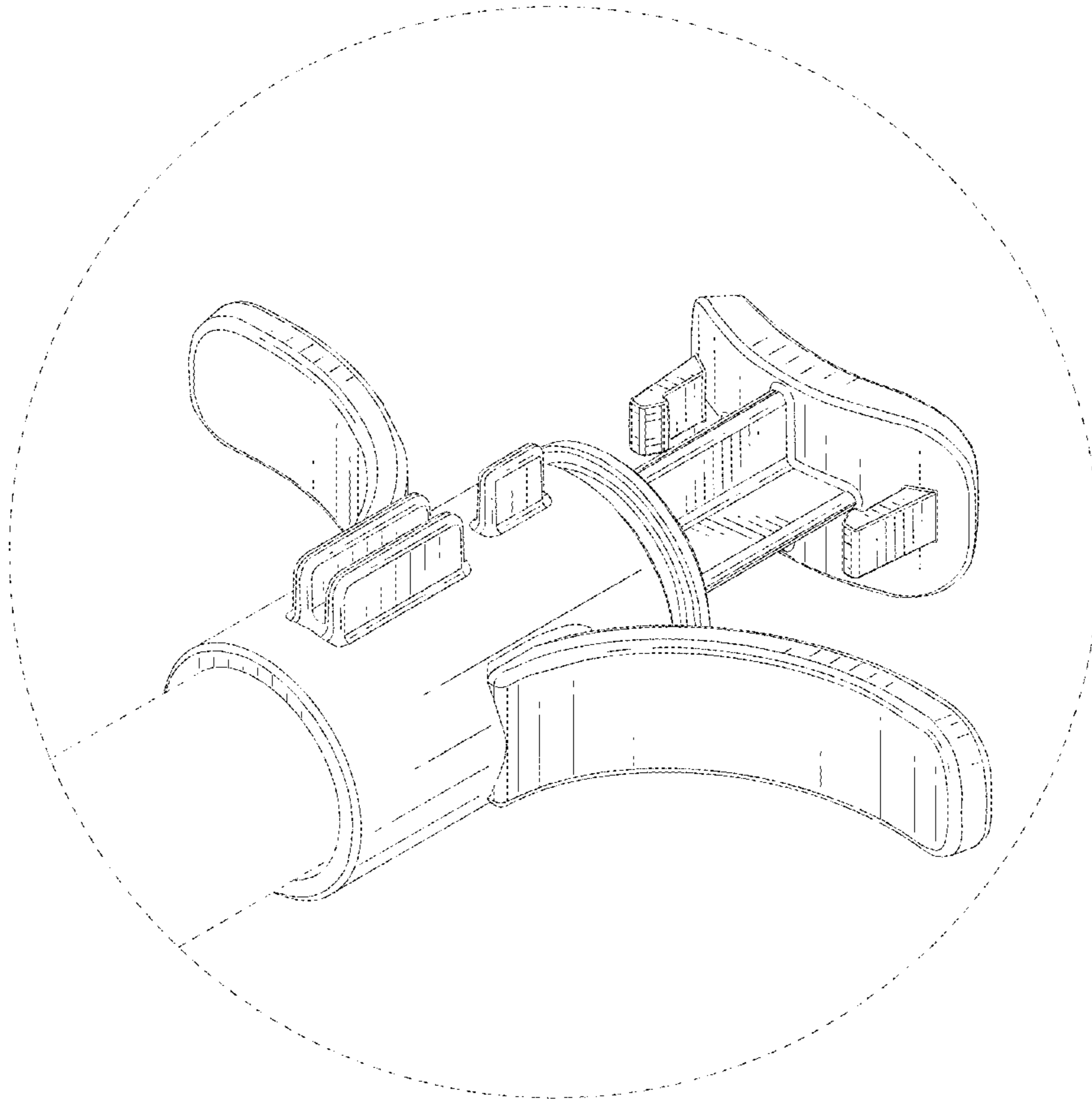


FIG. 9

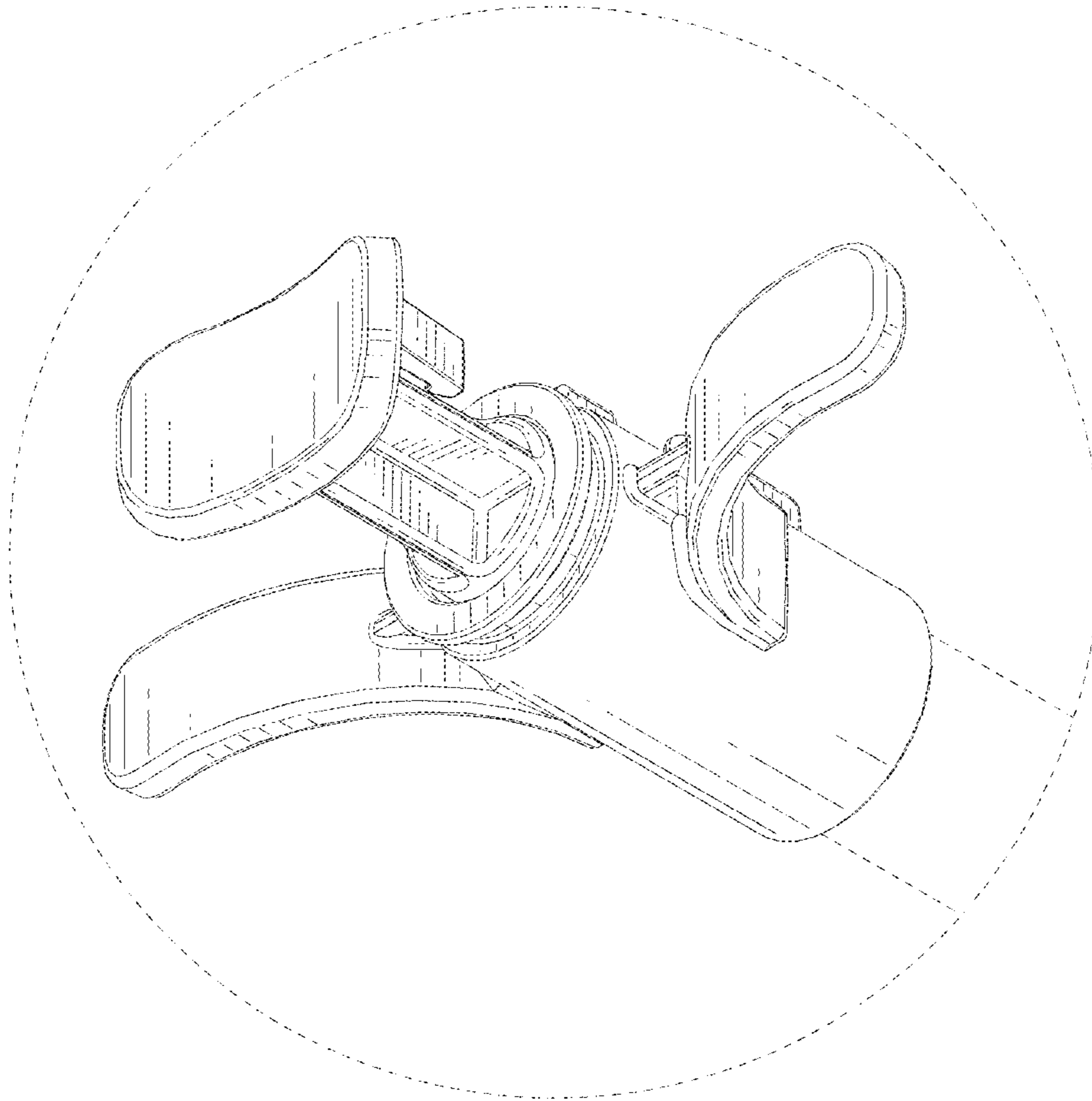


FIG. 10

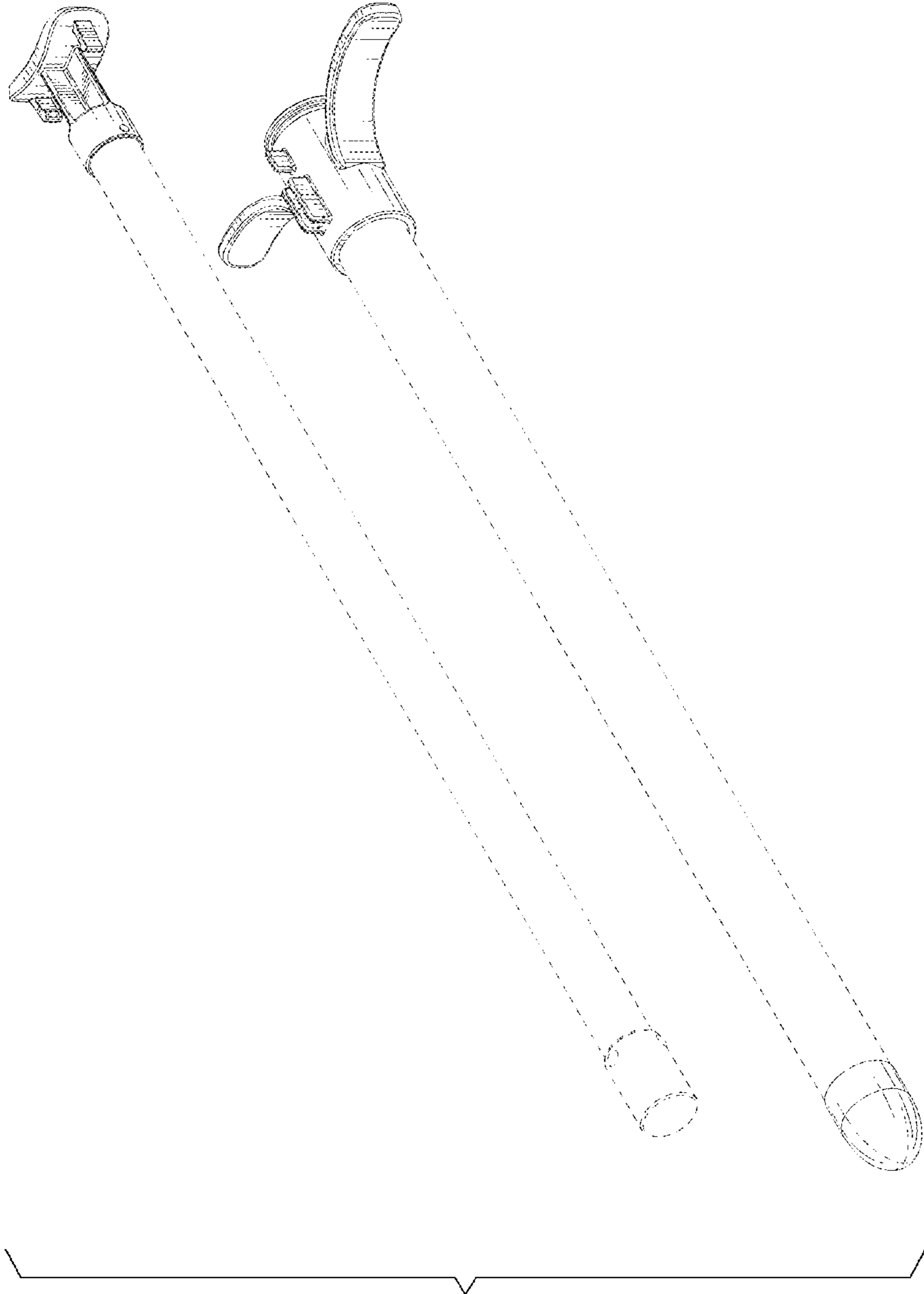


FIG. 11